



US00D964523S

(12) **United States Design Patent**
Kato et al.

(10) **Patent No.:** **US D964,523 S**
(45) **Date of Patent:** **** Sep. 20, 2022**

(54) **FLOW CONTROL VALVE**
(71) Applicant: **SMC CORPORATION**, Tokyo (JP)
(72) Inventors: **Hisataka Kato**, Joso (JP); **Koichiro Furuta**, Tsukubamirai (JP)
(73) Assignee: **SMC CORPORATION**, Tokyo (JP)
(**) Term: **15 Years**
(21) Appl. No.: **29/764,512**
(22) Filed: **Dec. 30, 2020**

D926,933 S * 8/2021 Matsushita D23/235
D926,934 S * 8/2021 Matsushita D23/235
D928,915 S * 8/2021 Okawara D23/233

FOREIGN PATENT DOCUMENTS

CN 30265839 S 11/2013
JP 1659424 S 5/2020

* cited by examiner

Primary Examiner — Gino Colan

(74) *Attorney, Agent, or Firm* — Birch Stewart Kolasch & Birch, LLP

(30) **Foreign Application Priority Data**

Jul. 10, 2020 (JP) 2020-014162 D

(51) **LOC (13) Cl.** **23-01**

(52) **U.S. Cl.**
USPC **D23/245**

(58) **Field of Classification Search**
USPC D23/233, 235, 237, 244, 241, 245, 248
CPC F16K 27/0263; F16K 15/021
See application file for complete search history.

(57) **CLAIM**

The ornamental design for a flow control valve, as shown and described.

DESCRIPTION

FIG. 1 is a front, top and right side perspective view of a flow control valve showing our new design;
FIG. 2 is a rear, bottom and left side perspective view thereof;
FIG. 3 is a front view thereof;
FIG. 4 is a rear view thereof;
FIG. 5 is a top plan view thereof;
FIG. 6 is a bottom plan view thereof;
FIG. 7 is a left side view thereof;
FIG. 8 is a right side view thereof; and,
FIG. 9 is a sectional view taken along the line 9-9 of FIG. 5.

(56) **References Cited**

U.S. PATENT DOCUMENTS

D794,166 S 8/2017 Komatsuzaki et al.
D800,258 S 10/2017 Komatsuzaki et al.
D838,812 S 1/2019 Komatsuzak et al.
D838,813 S 1/2019 Komatsuzaki et al.
D924,361 S * 7/2021 Matsushita D23/235

1 Claim, 9 Drawing Sheets

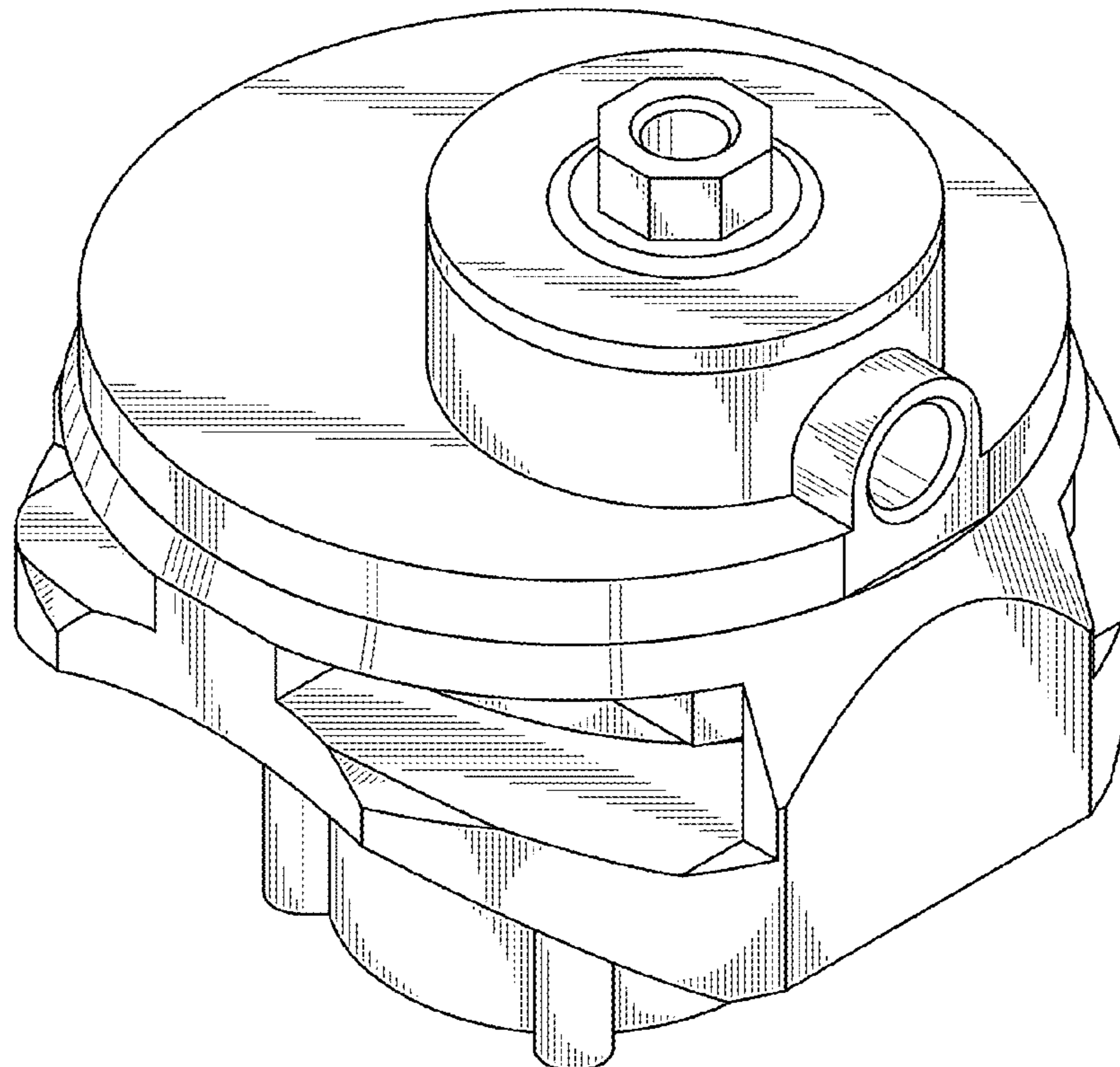


FIG. 1

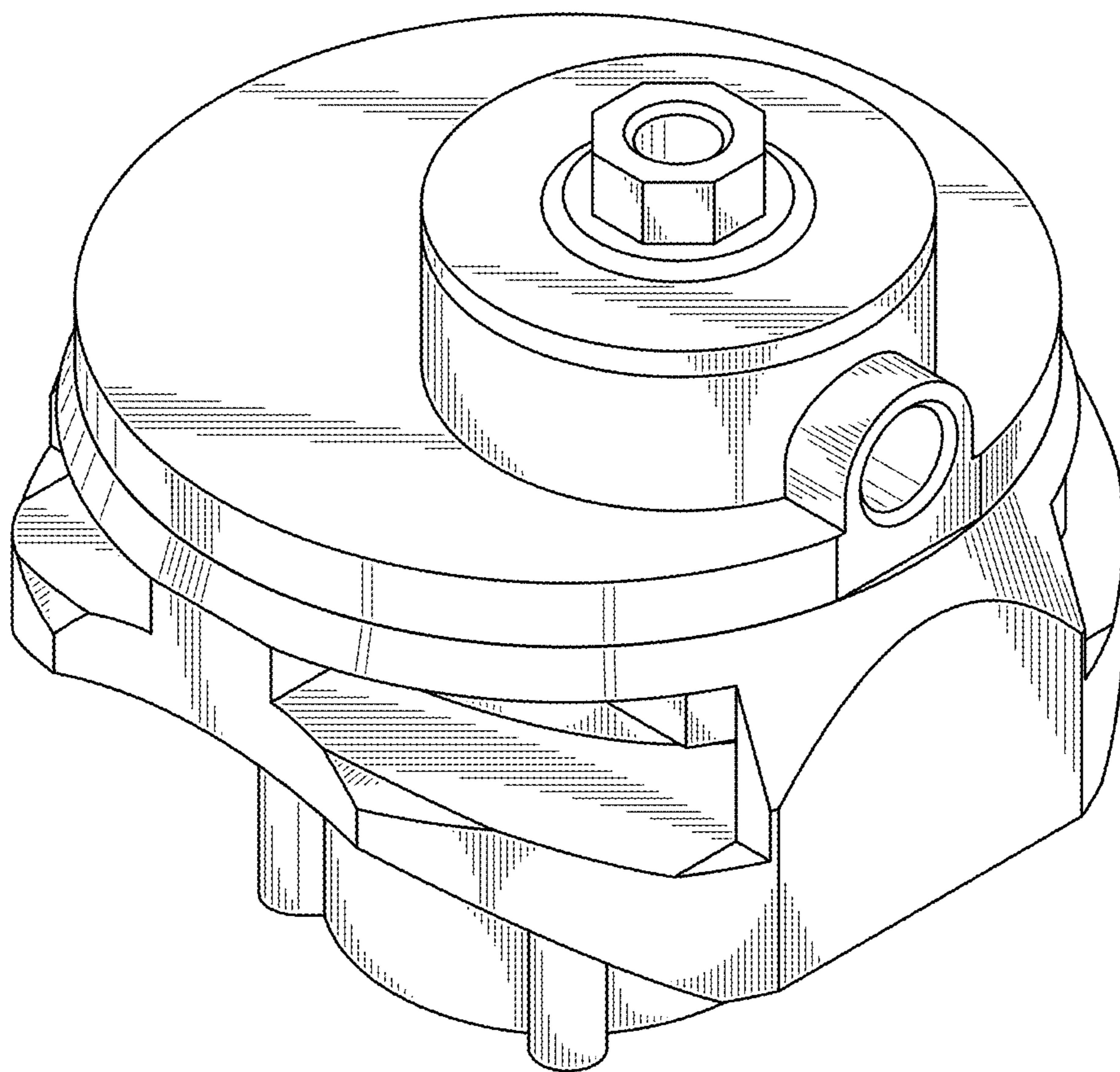


FIG. 2

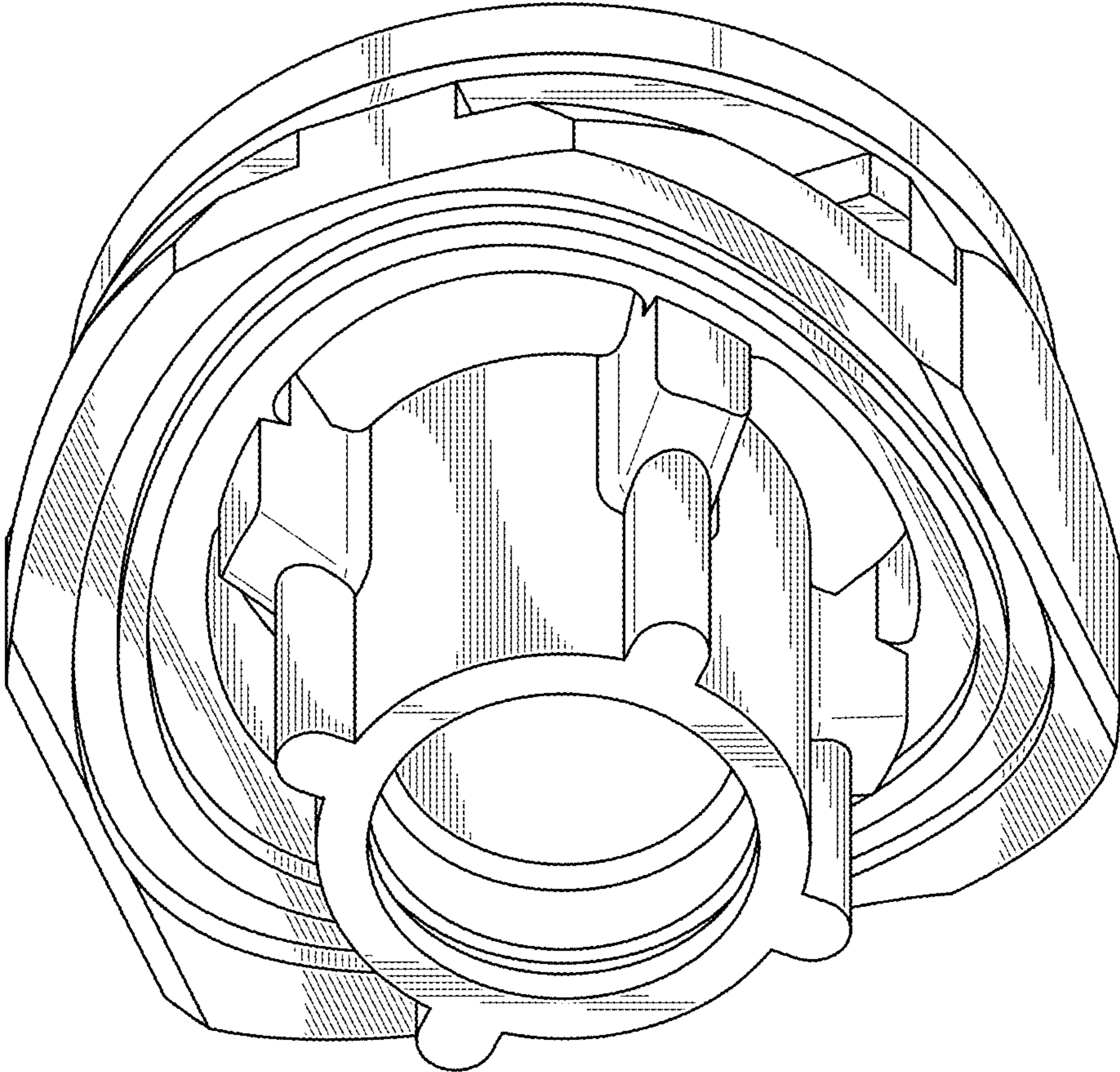


FIG. 3

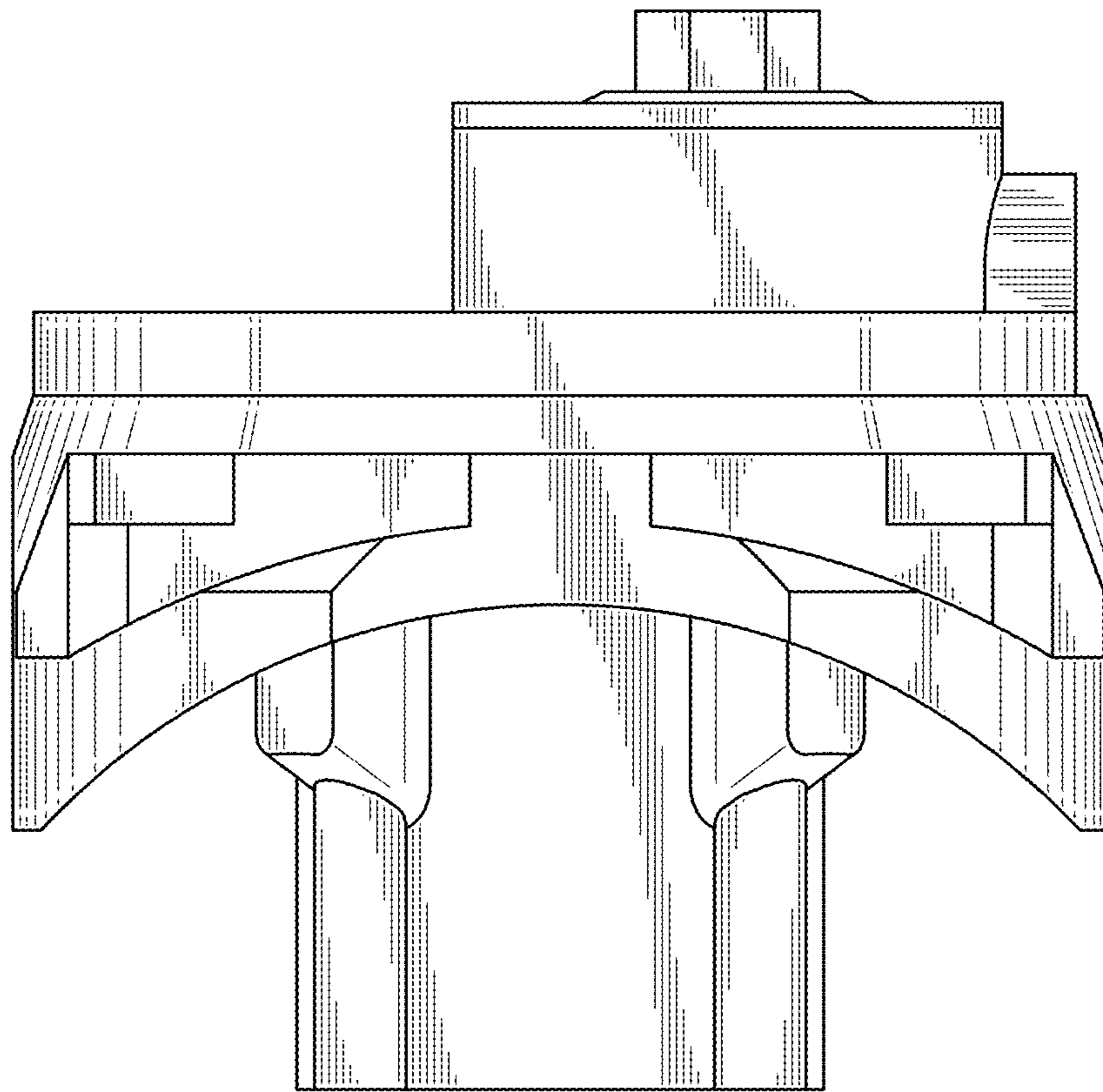


FIG. 4

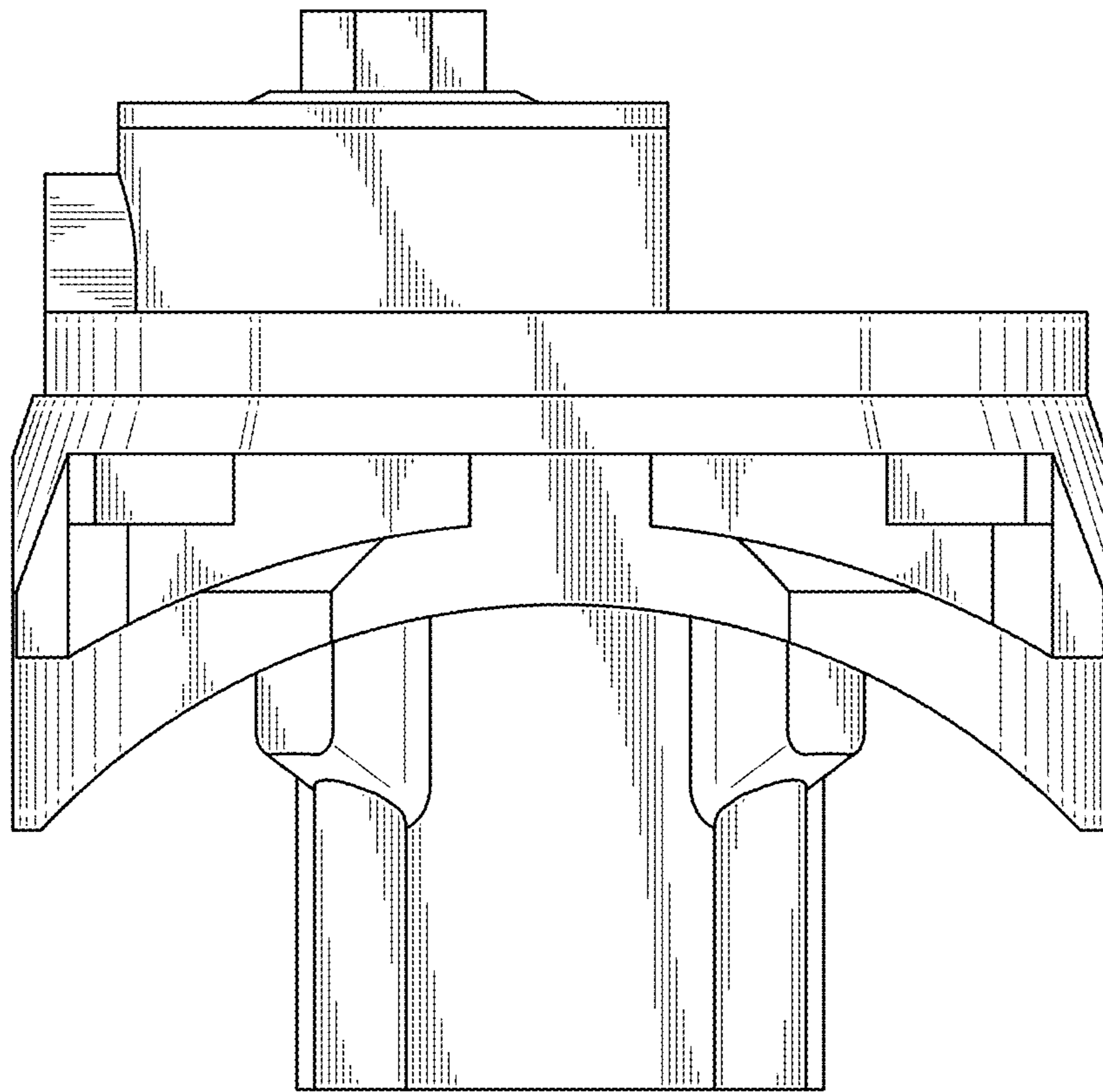


FIG. 5

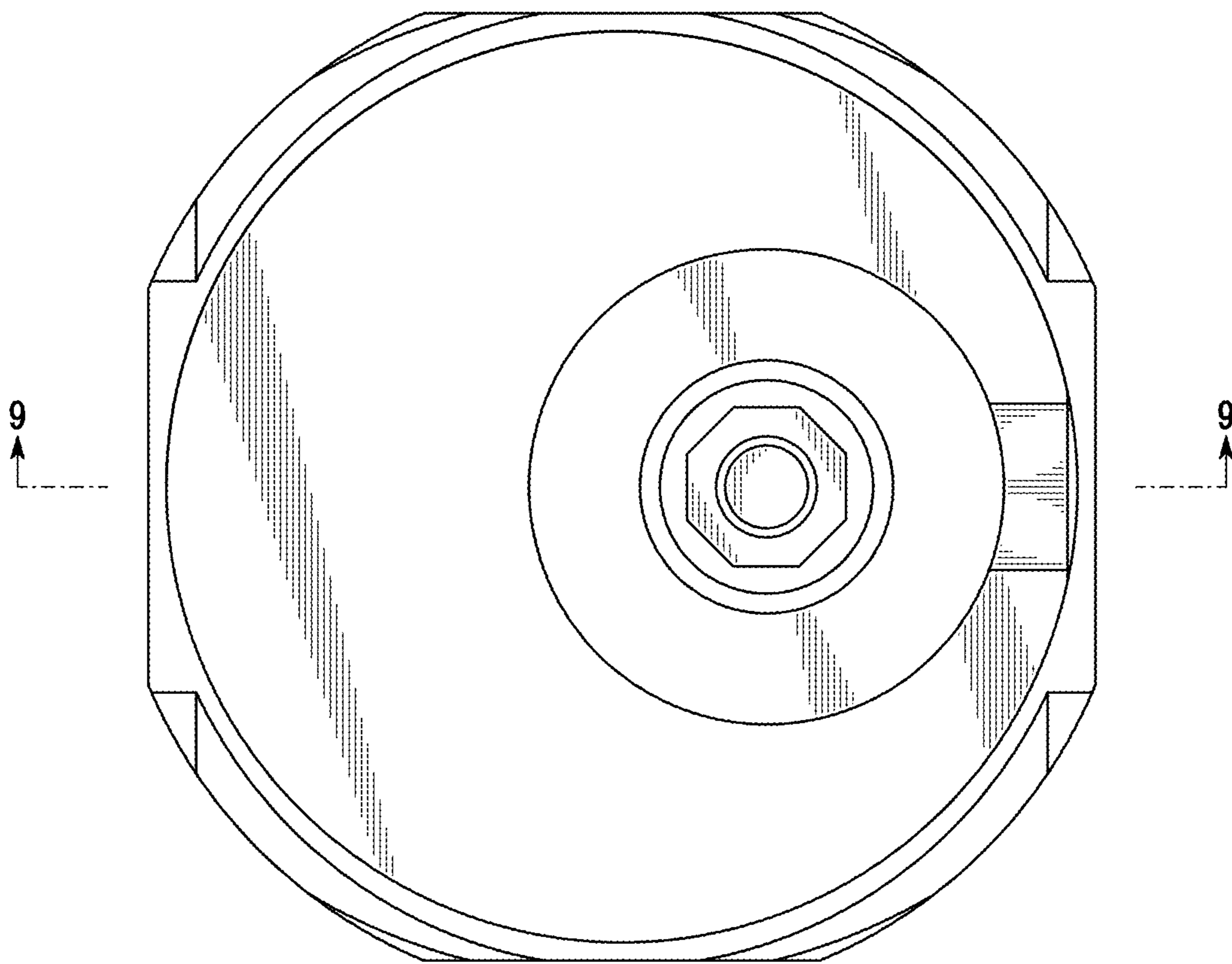


FIG. 6

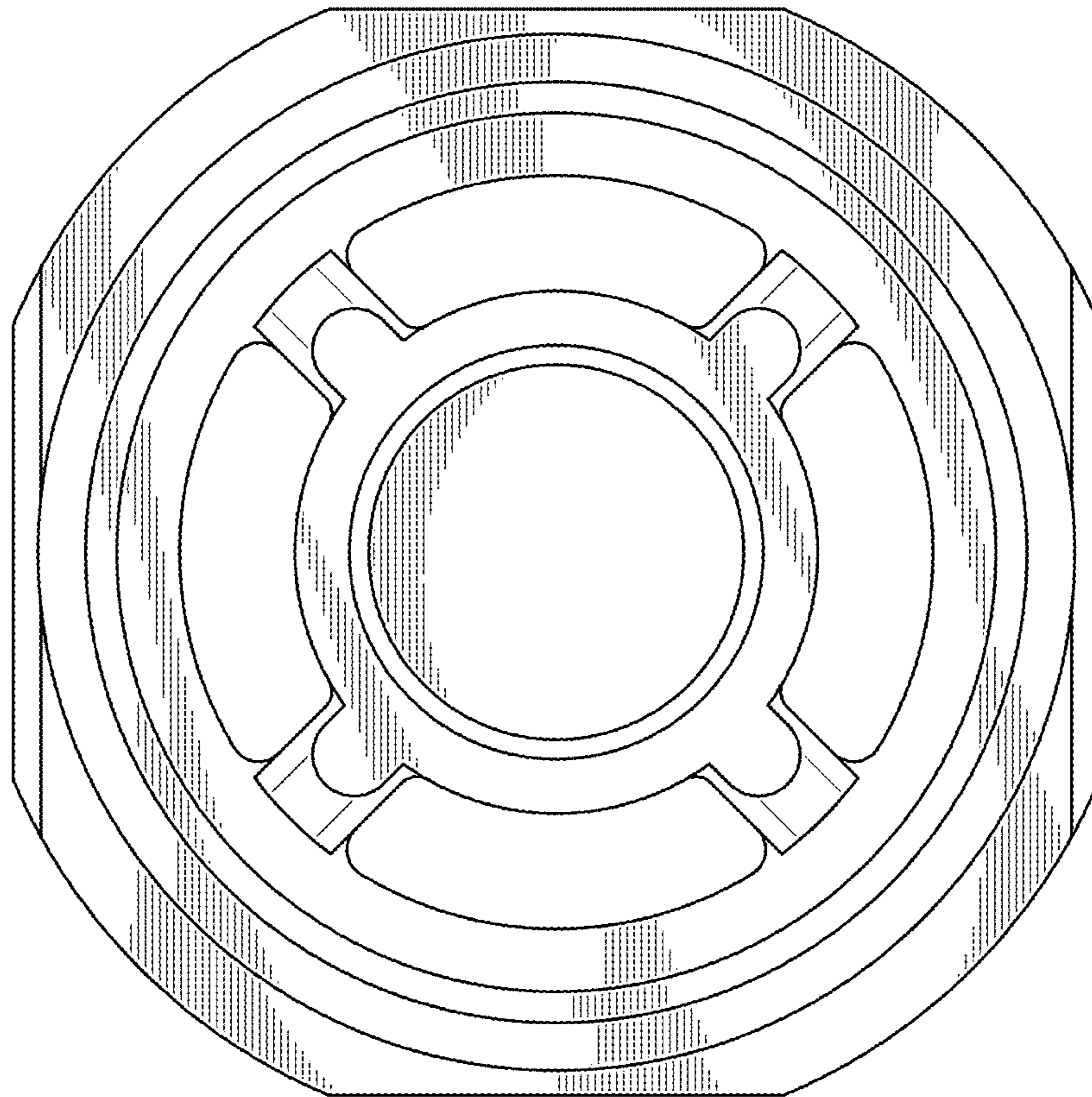


FIG. 7

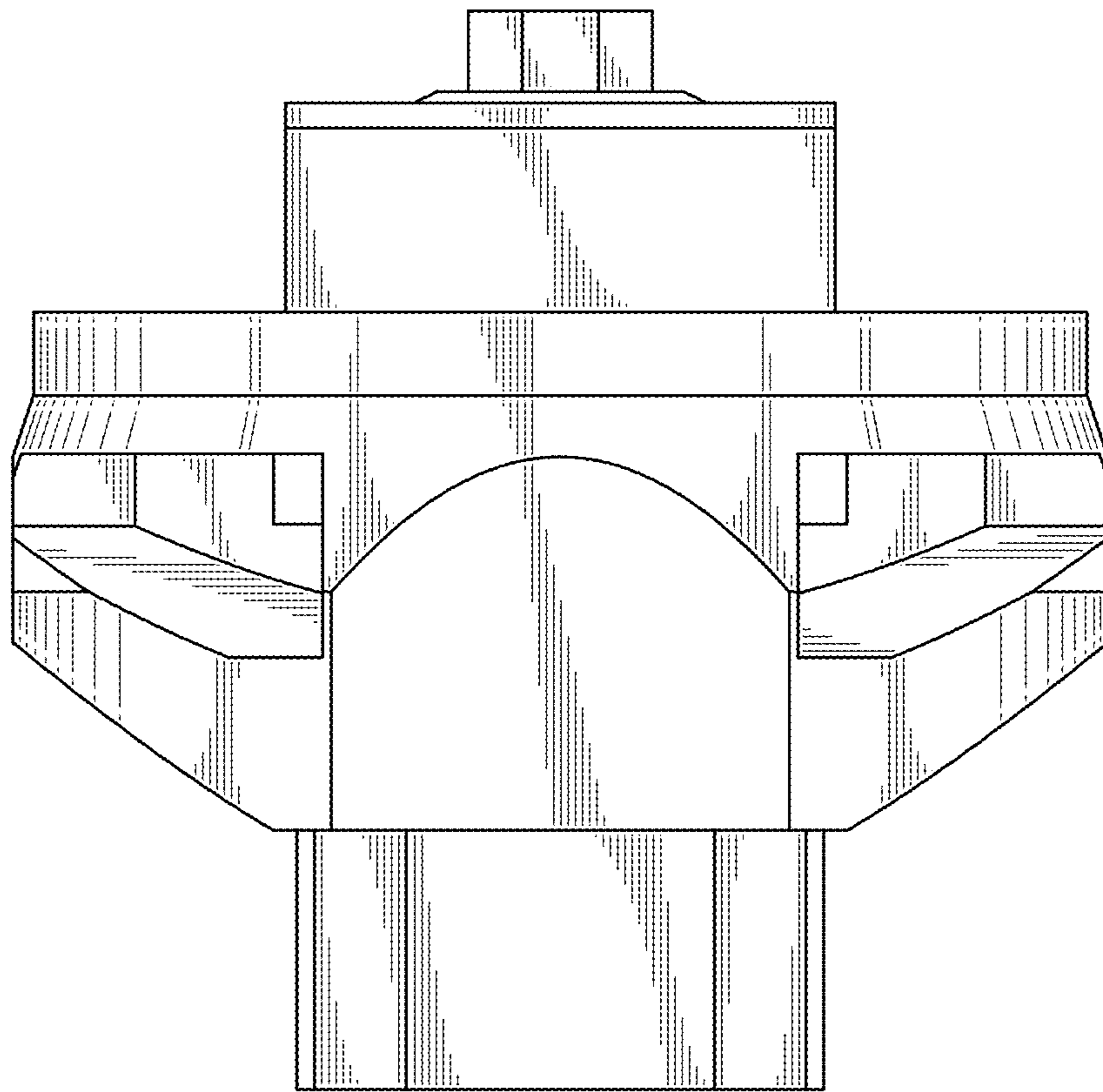


FIG. 8

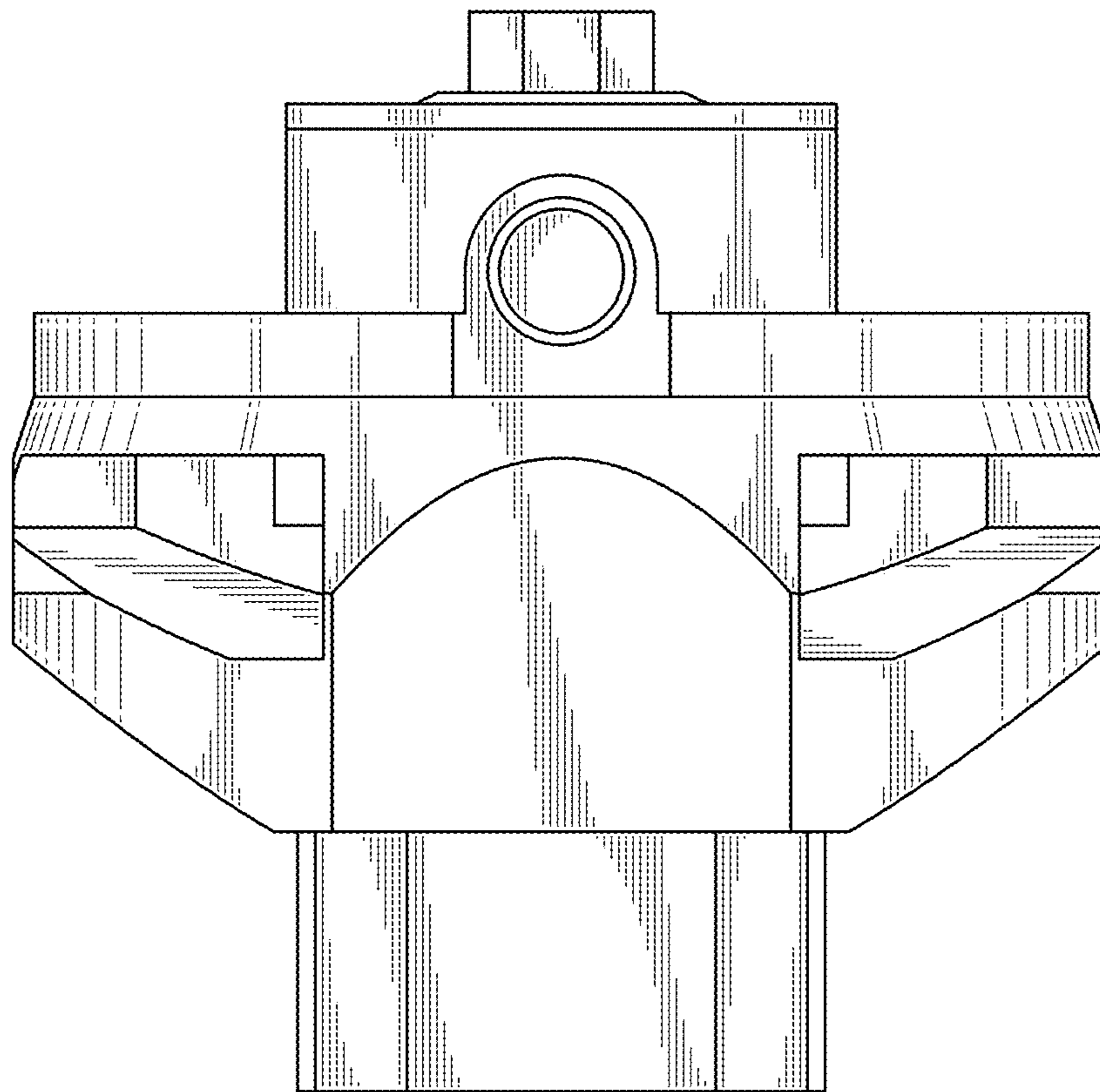


FIG. 9

