

US00D964518S

(12) **United States Design Patent** (10) **Patent No.:** **US D964,518 S**
Qiao (45) **Date of Patent:** **** Sep. 20, 2022**

(54) **SPRAYER**

(71) Applicant: **INTRADIN (SHANGHAI) MACHINERY CO., LTD.**, Shanghai (CN)

(72) Inventor: **Xuetao Qiao**, Shanghai (CN)

(73) Assignee: **INTRADIN (SHANGHAI) MACHINERY CO., LTD.**, Shanghai (CN)

(**) Term: **15 Years**

(21) Appl. No.: **29/772,652**

(22) Filed: **Mar. 3, 2021**

(51) **LOC (13) Cl.** **23-01**

(52) **U.S. Cl.**
USPC **D23/225**

(58) **Field of Classification Search**
USPC D23/213, 214, 215, 223, 224, 226, 229, D23/230; D9/522, 556, 566, 601, 602, D9/685
CPC A61H 9/0021; A61H 33/00; B05B 1/00; B05B 1/14; B05B 1/185; B05B 1/08; B05B 1/02; B05B 1/26; B05B 12/002; B05B 1/18; B05B 9/01
See application file for complete search history.

(56) **References Cited**

U.S. PATENT DOCUMENTS

D270,367 S *	8/1983	Grime	D23/225
D297,350 S *	8/1988	Kille	D23/225
D304,068 S *	10/1989	Herbst	D23/226
5,050,804 A *	9/1991	Svendsen	B05B 7/1209 239/296
D320,430 S *	10/1991	Renfrew	D23/212
D341,186 S *	11/1993	Albers	D23/225
D353,321 S *	12/1994	Steijns	D9/685
D365,515 S *	12/1995	Boykin	D9/685
6,010,082 A *	1/2000	Peterson	B01D 46/0012 239/346

D444,700 S *	7/2001	Ebert	D9/556
D447,791 S *	9/2001	Robidoux	D23/225
D477,779 S *	7/2003	Weihrauch	D9/601
D563,505 S *	3/2008	Schmon	D23/226
D570,448 S *	6/2008	Wang	D23/226
D607,972 S *	1/2010	Wang	D23/226
D630,708 S *	1/2011	Blenkush	D23/225
D632,586 S *	2/2011	Bowers	D9/685

(Continued)

OTHER PUBLICATIONS

One+ 18-Volt Lithium-Ion Cordless Fogger/Mister, May 30, 2020, amazon.ca, Jun. 24, 2022, URL: <https://www.amazon.ca/RYOBI-18-Volt-Lithium-Ion-Cordless-Included/dp/B08HR5RPVF/> (Year: 2020).*

(Continued)

Primary Examiner — Keith J Wilson

(74) *Attorney, Agent, or Firm* — Wayne IP LLC

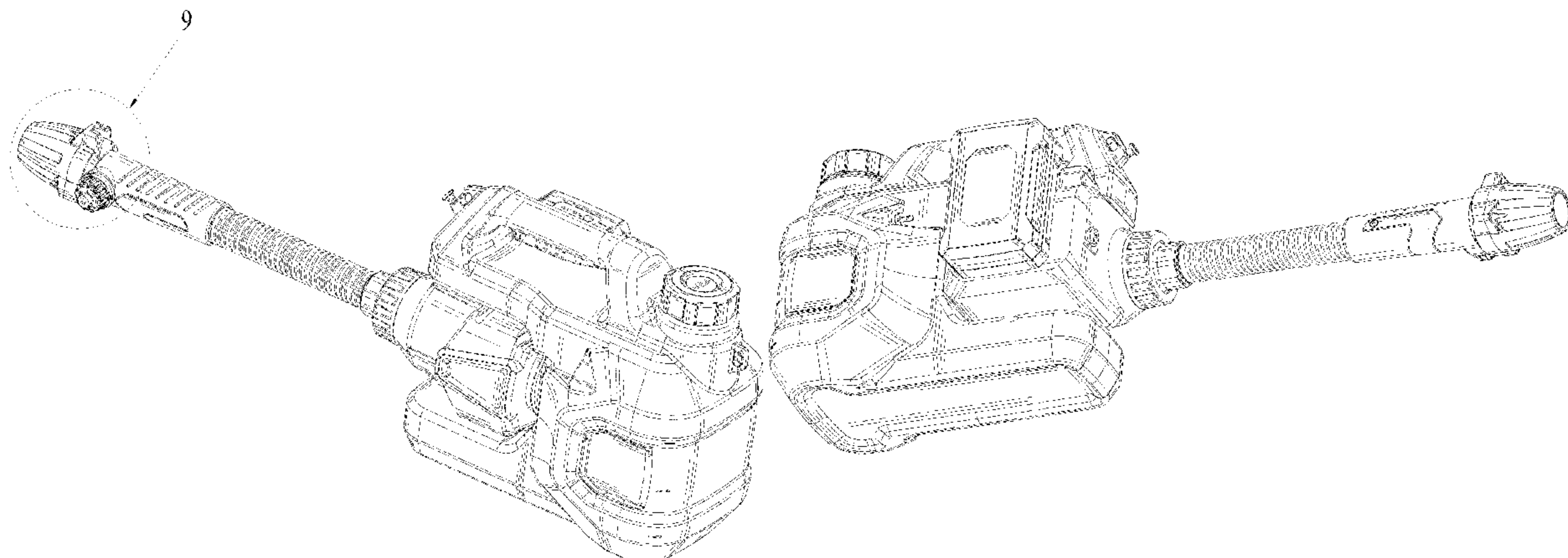
(57) **CLAIM**

The ornamental design for a sprayer, as shown and described.

DESCRIPTION

FIG. 1 is a perspective view of a sprayer showing our new design;
FIG. 2 is another perspective view thereof;
FIG. 3 is a front view thereof;
FIG. 4 is a back view thereof;
FIG. 5 is a left view thereof;
FIG. 6 is a right view thereof;
FIG. 7 is an enlarged top view thereof;
FIG. 8 is an enlarged bottom view thereof;
FIG. 9 is a partially enlarged view of FIG. 1; and,
FIG. 10 is a partially enlarged view of FIG. 4.
The broken lines shown on the drawings depict portions of the sprayer that form no part of the claimed design.

1 Claim, 10 Drawing Sheets



(56)

References Cited

U.S. PATENT DOCUMENTS

D633,176 S * 2/2011 Blenkush D23/225
 D635,034 S * 3/2011 Burgeson D9/566
 D636,272 S * 4/2011 Pearson D9/685
 7,971,806 B2 * 7/2011 Johnson F16K 15/026
 239/296
 D649,221 S * 11/2011 Sindors D23/226
 D651,691 S * 1/2012 Muetzel D23/225
 D664,628 S * 7/2012 Zhou D23/225
 D692,095 S * 10/2013 Hines D23/225
 D692,531 S * 10/2013 Li D23/225
 D693,428 S * 11/2013 Tullney D23/225
 D704,300 S * 5/2014 Li D23/225
 D713,500 S * 9/2014 Muhl D23/225
 D715,153 S * 10/2014 Hansen D9/685
 D720,040 S * 12/2014 Robinson D23/226
 D720,041 S * 12/2014 Robinson D23/226
 D727,466 S * 4/2015 Richter D23/226
 D734,429 S * 7/2015 Wang D23/226
 D735,051 S * 7/2015 Conway D9/522
 D738,462 S * 9/2015 Wang D23/226
 D740,393 S * 10/2015 Gehrung D23/226
 D742,998 S * 11/2015 Gooden B05B 7/2443
 D23/225
 D744,351 S * 12/2015 Hansen D9/685
 D758,536 S * 6/2016 Olson D23/225
 D759,199 S * 6/2016 Wrobel D23/225
 D772,380 S * 11/2016 Fontaine D23/225

D794,755 S * 8/2017 Wang D23/226
 D794,756 S * 8/2017 Wang D23/226
 D796,004 S * 8/2017 Yang D23/225
 D798,419 S * 9/2017 Gehrung D23/226
 D812,719 S * 3/2018 Kosaka D23/226
 D814,610 S * 4/2018 Dawson D23/225
 D816,801 S * 5/2018 Ghorbani D23/226
 D820,389 S * 6/2018 Gehrung D23/226
 D821,545 S * 6/2018 Gehrung D23/226
 D834,144 S * 11/2018 Mangold D23/226
 D834,944 S * 12/2018 Holbrook D9/685
 D835,235 S * 12/2018 Gehrung D23/226
 D839,386 S * 1/2019 Ghorbani D23/226
 D844,106 S * 3/2019 Dawson D23/225
 D846,401 S * 4/2019 Turner D9/602
 D848,849 S * 5/2019 Sim D9/522
 D854,123 S * 7/2019 Becker D23/226
 D857,162 S * 8/2019 Dawson D23/225
 D858,698 S * 9/2019 Arino D23/213
 D861,130 S * 9/2019 Carls D23/226

OTHER PUBLICATIONS

Electric Fogger, Battery Powered Backpack Sprayer, Jan. 14, 2021, amazon.ca, Jun. 24, 2022, URL: <https://www.amazon.ca/Electric-Backpack-Capacity-Atomizer-Atomization/dp/B08T1F5KQG/> (Year: 2022).*

* cited by examiner

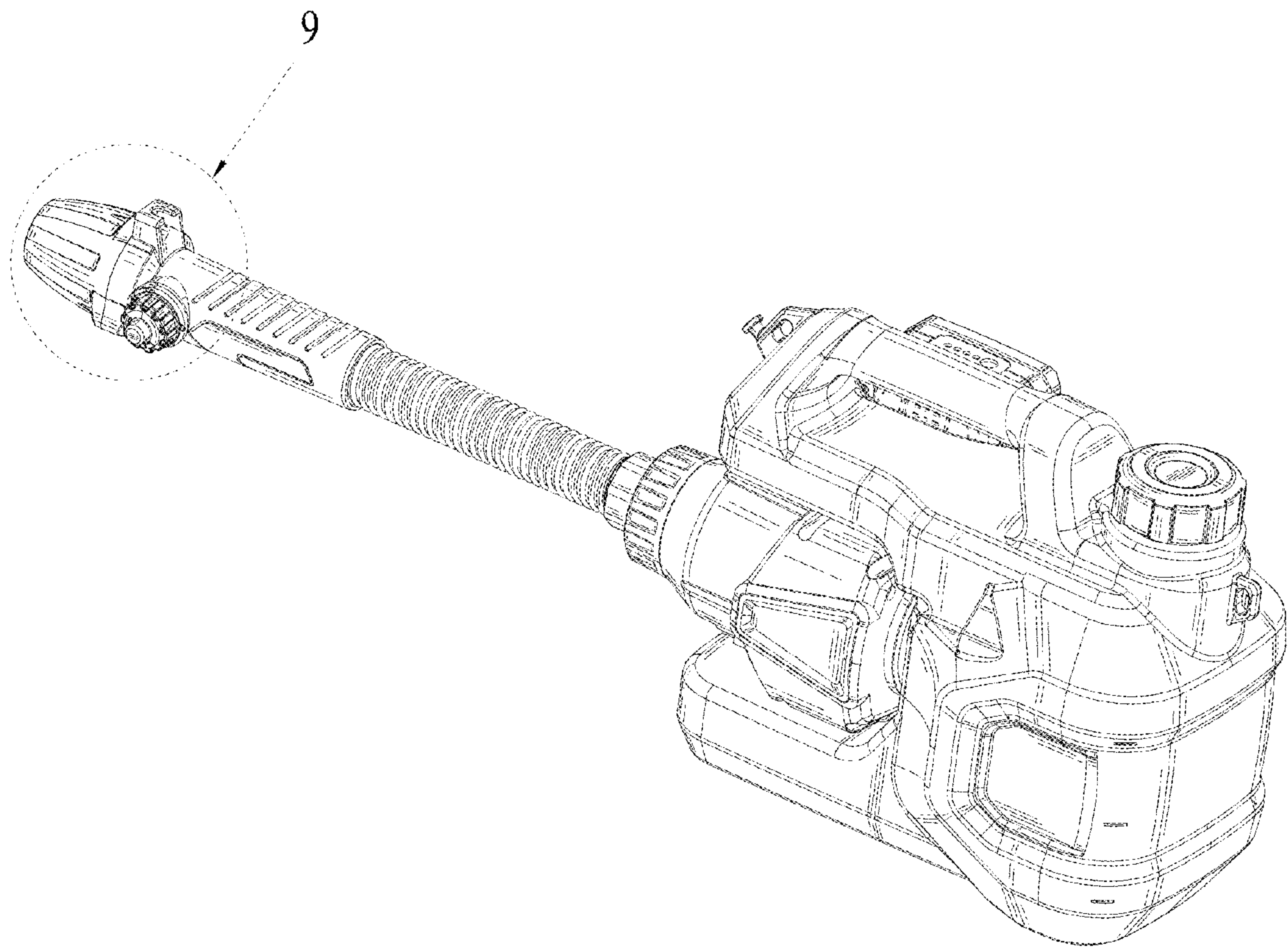


FIG. 1

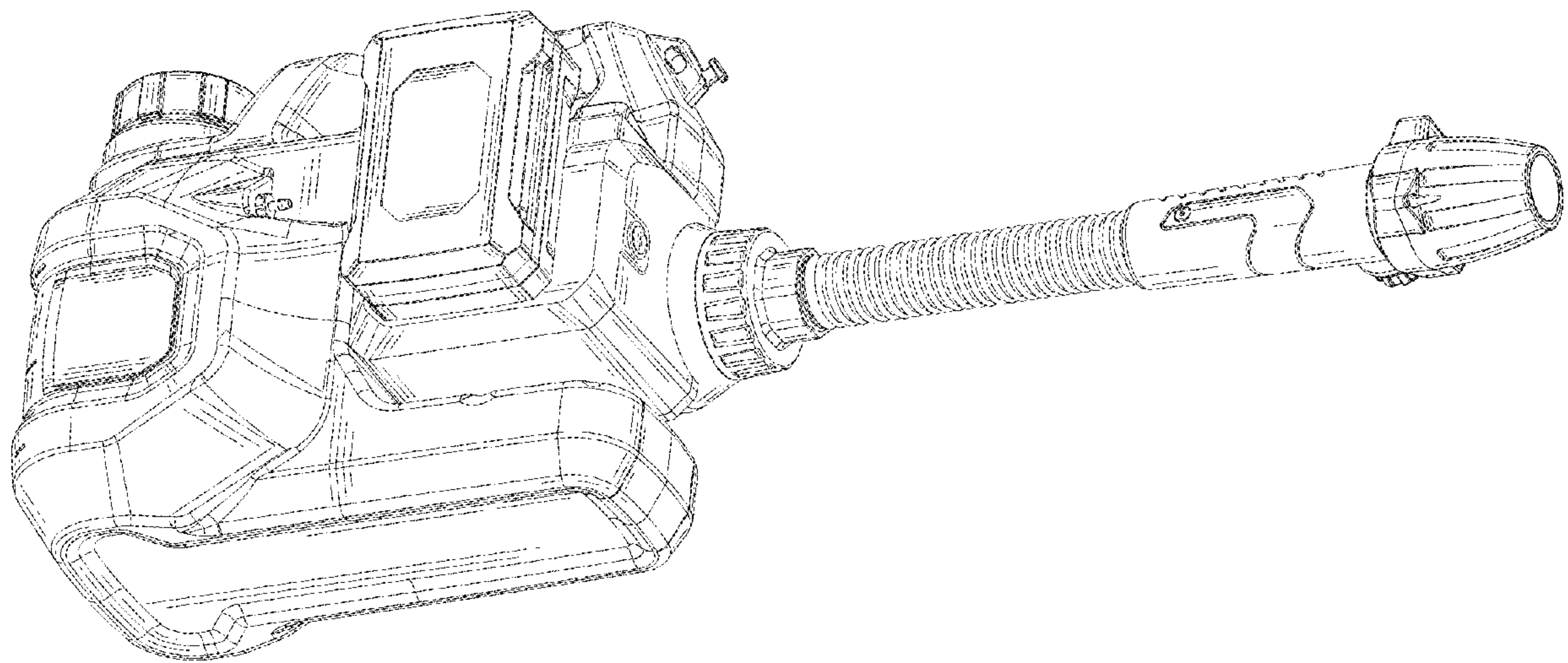


FIG. 2

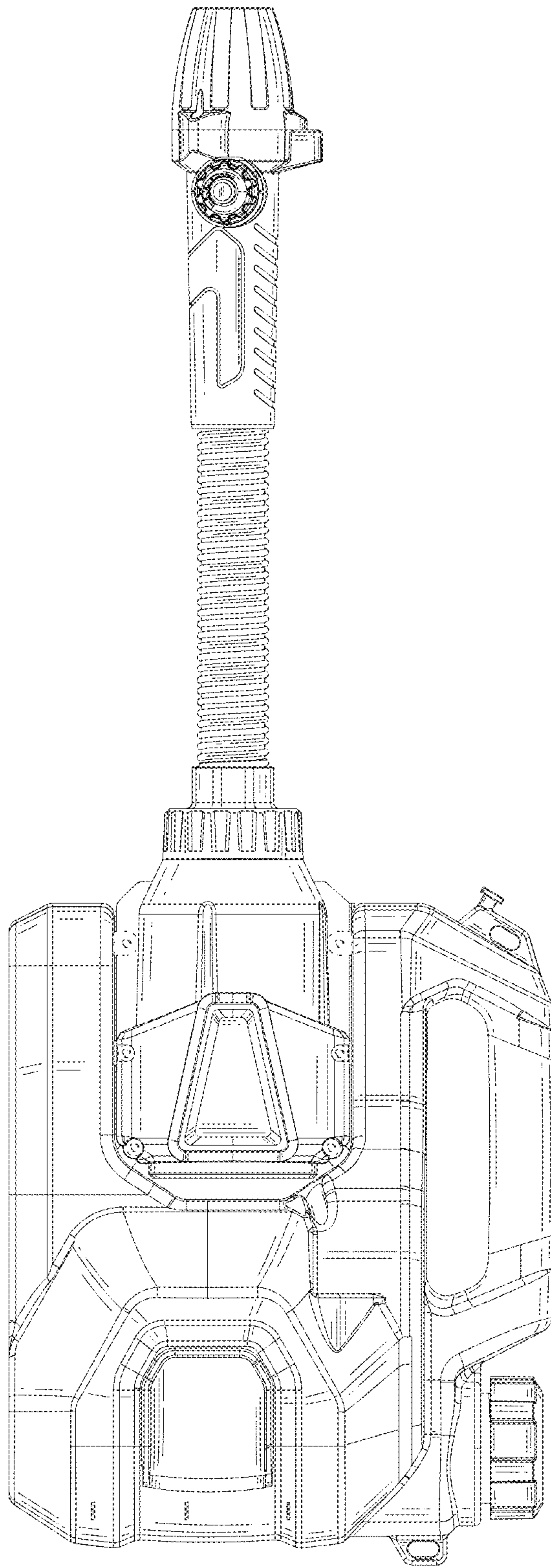


FIG. 3

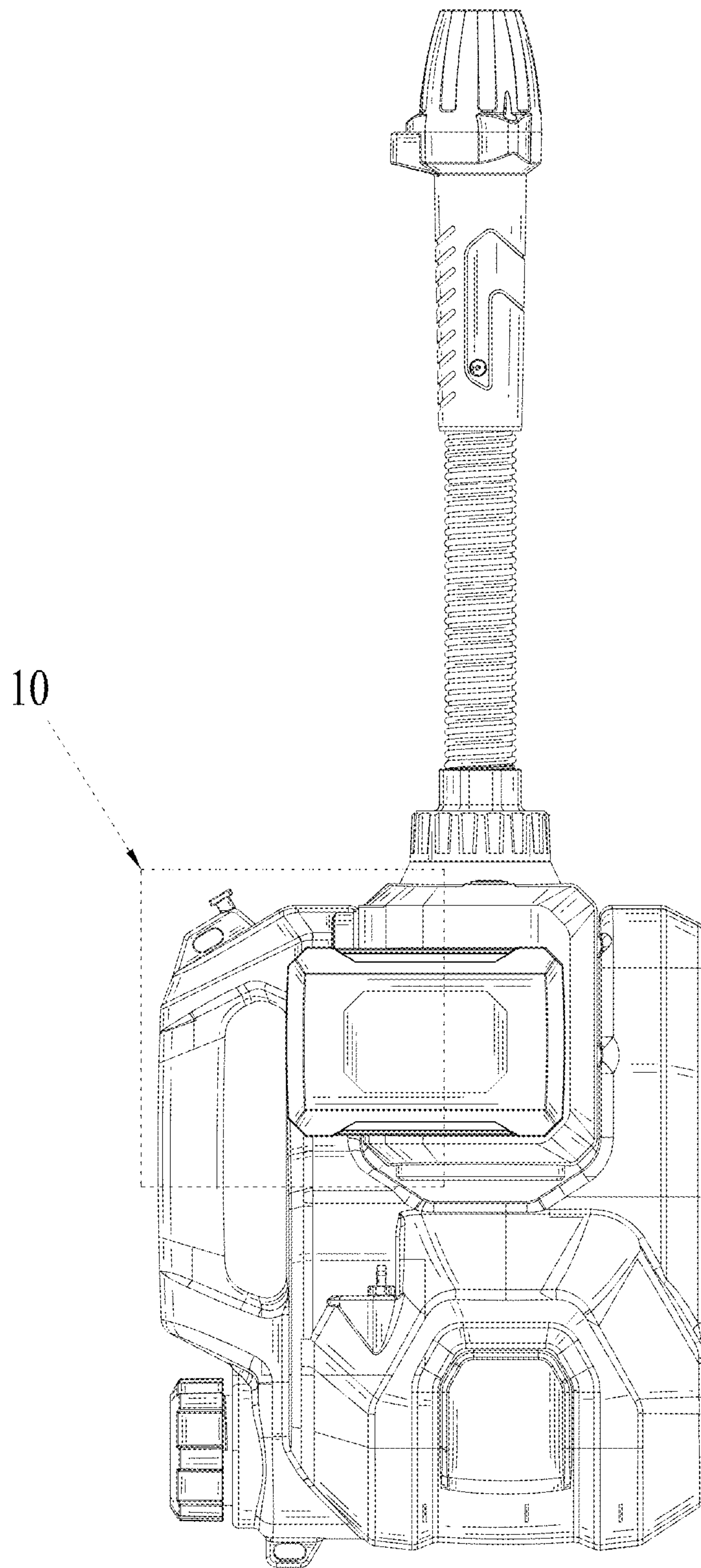


FIG. 4

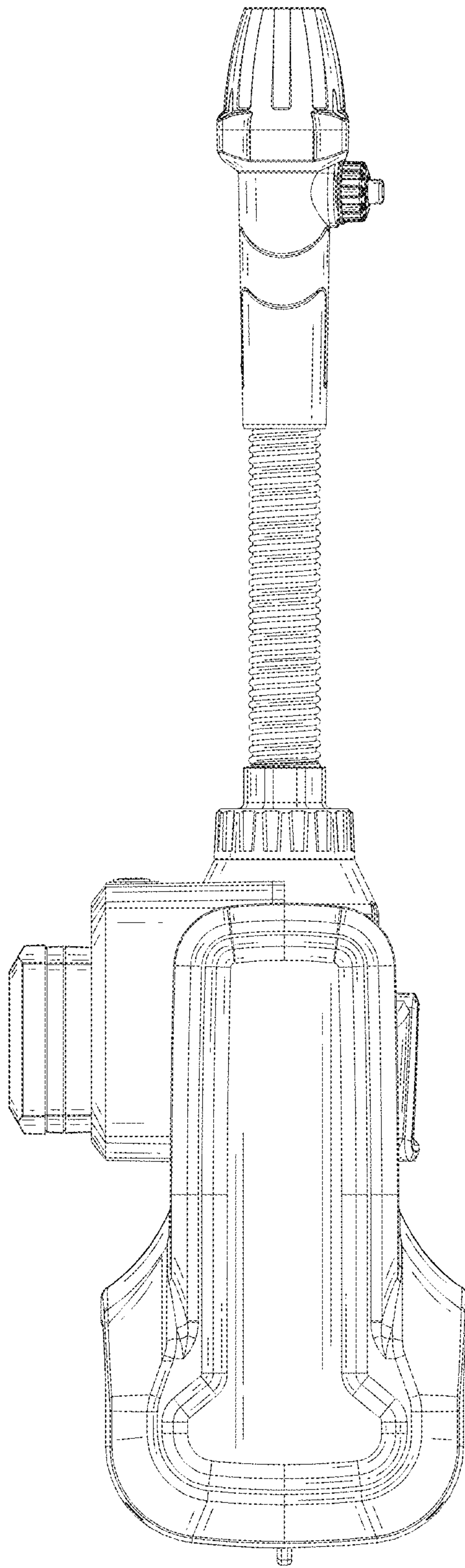


FIG. 5

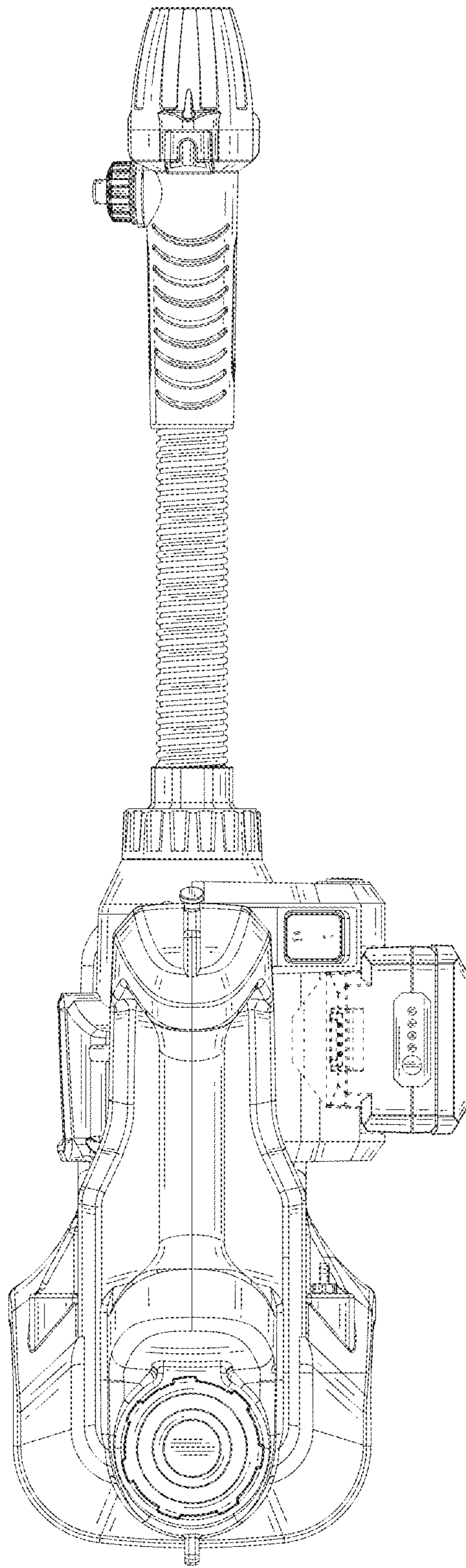


FIG. 6

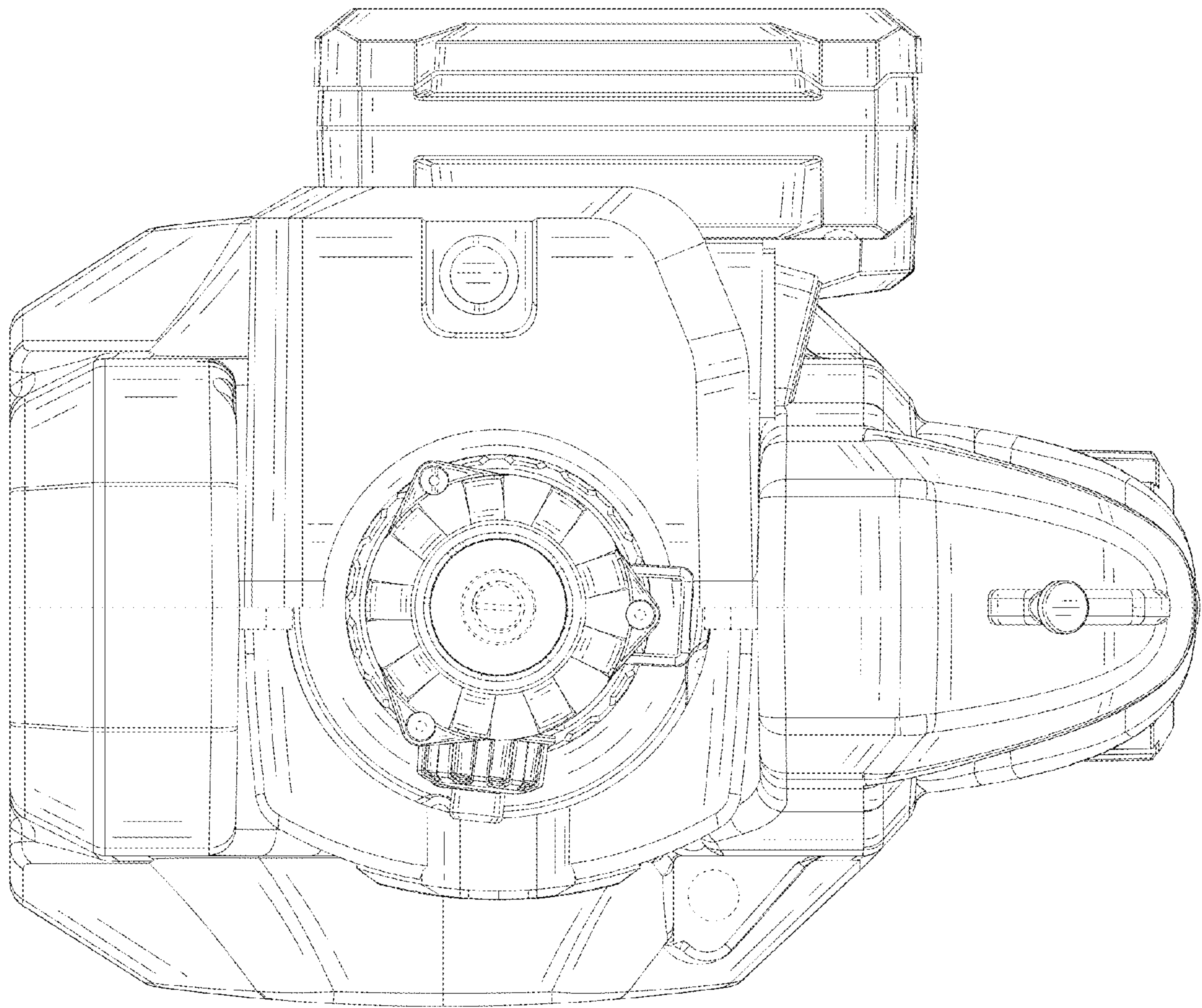


FIG. 7

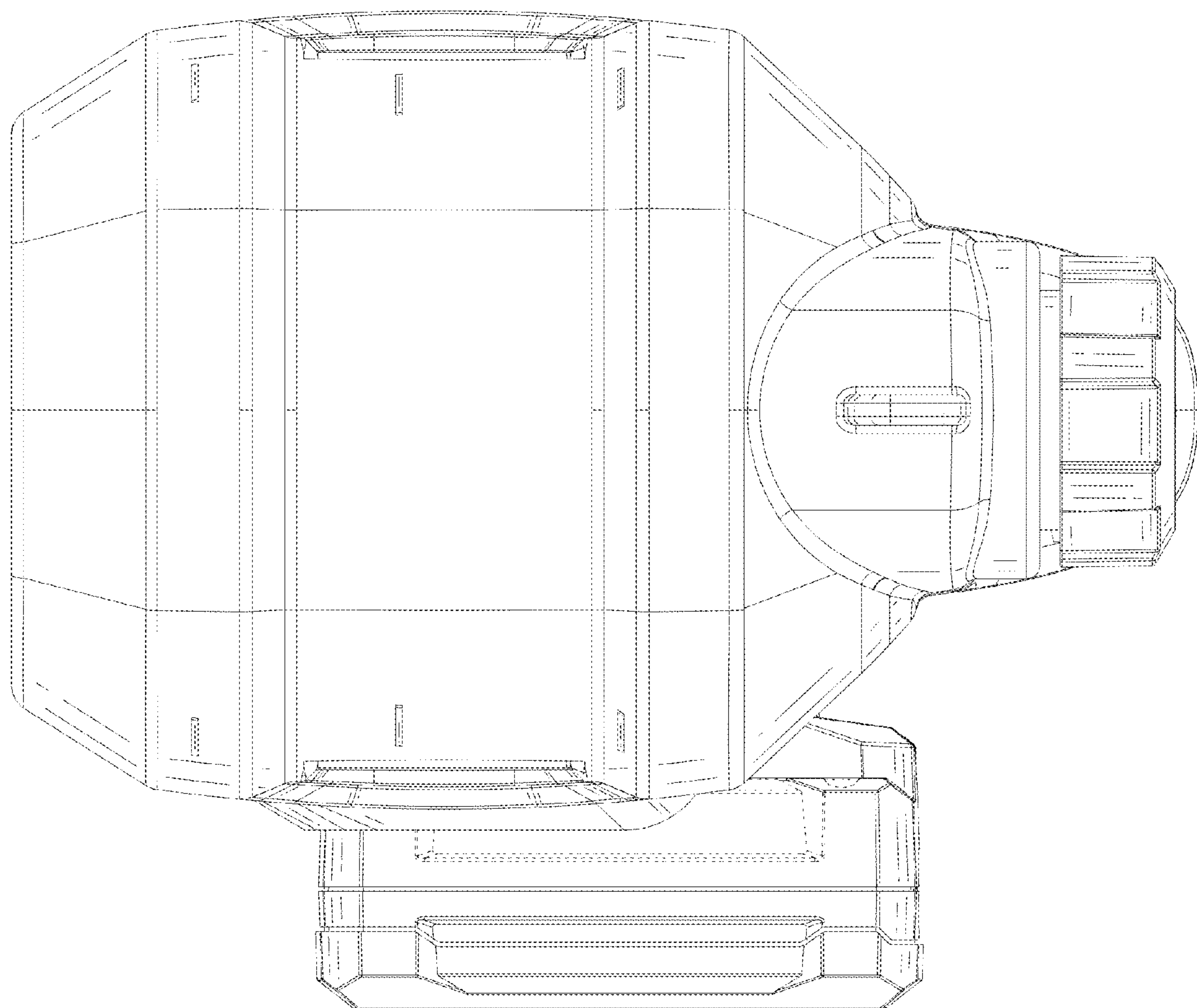


FIG. 8

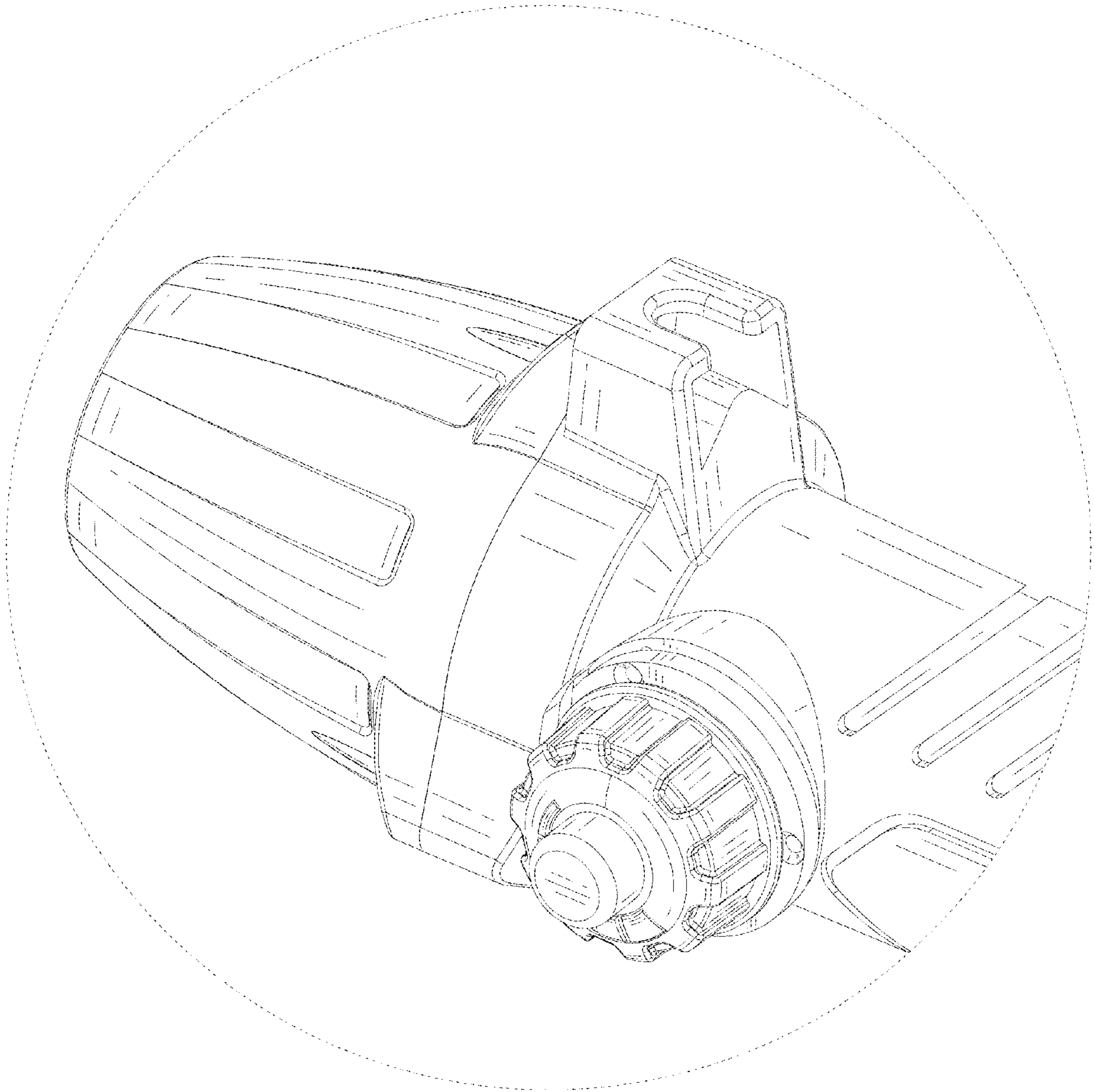


FIG. 9

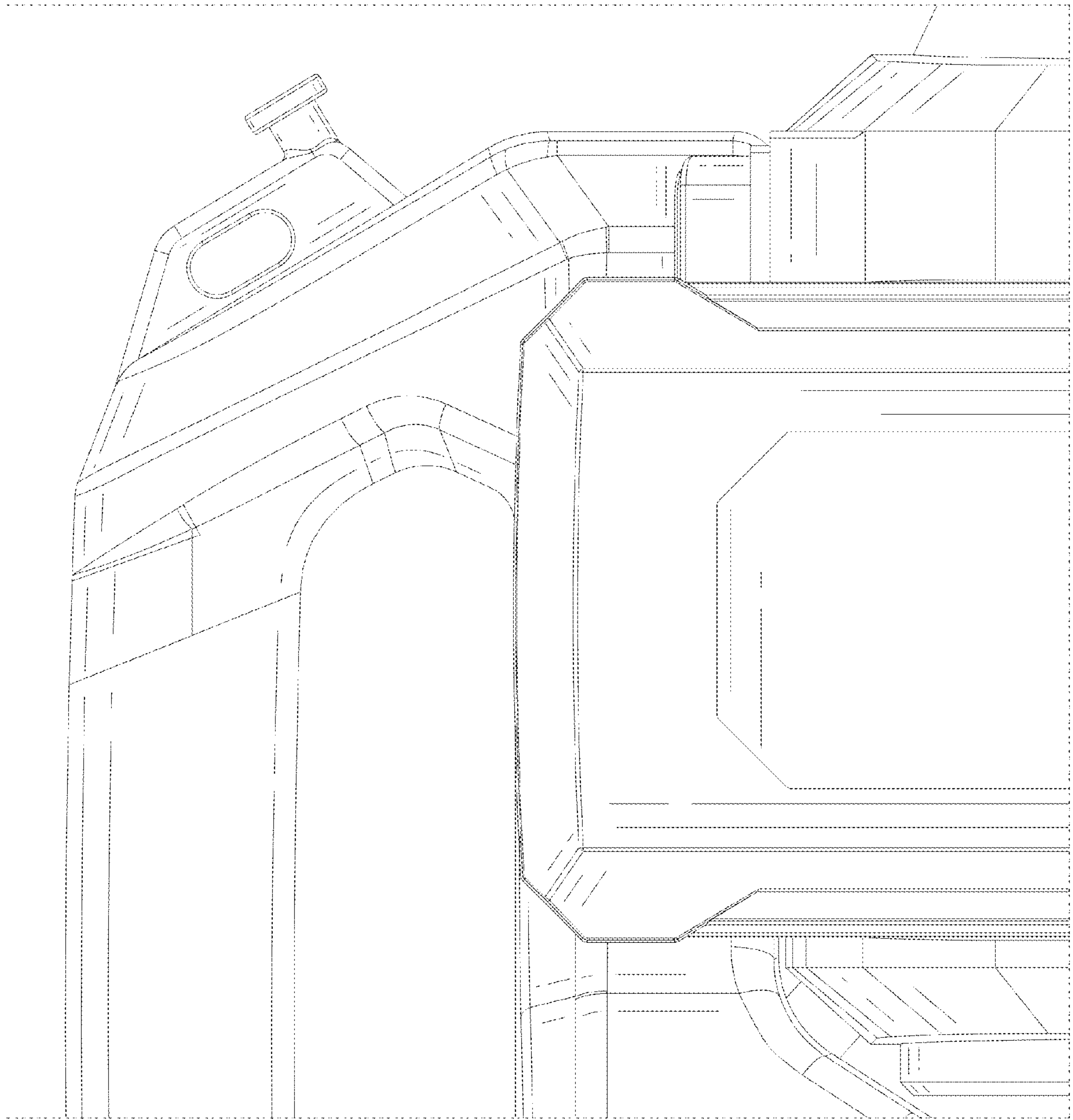


FIG. 10