



US00D964515S

(12) **United States Design Patent** (10) **Patent No.:** **US D964,515 S**
Villeneuve et al. (45) **Date of Patent:** **** Sep. 20, 2022**

(54) **FOAM NOZZLE**
(71) Applicant: **ENTREPRISE DRAGO-I.S.I. INC.,**
Repentigny (CA)
(72) Inventors: **Simon Villeneuve, Blainville (CA);**
Eric Bedard, Sainte-Therese (CA)
(73) Assignee: **ENTREPRISE DRAGO-I.S.I. INC.,**
Repentigny (CA)
(**) Term: **15 Years**
(21) Appl. No.: **29/701,460**
(22) Filed: **Aug. 12, 2019**
(51) **LOC (13) Cl.** **23-01**
(52) **U.S. Cl.**
USPC **D23/213**
(58) **Field of Classification Search**
USPC D23/213, 214, 215, 222, 223, 224, 226,
D23/229, 230
CPC A61H 9/0021; A61H 33/00; B05B 1/00;
B05B 1/14; B05B 1/185; B05B 1/08;
B05B 1/02; B05B 1/26; B05B 12/002;
B05B 1/18; B05B 9/01
See application file for complete search history.

(56) **References Cited**
U.S. PATENT DOCUMENTS
D256,052 S * 7/1980 De Vaughn D24/112
4,326,516 A * 4/1982 Schultz A61M 39/1011
604/533
D393,048 S * 3/1998 Hearvey D23/213
6,202,342 B1 * 3/2001 Edwards A01M 1/2011
43/132.1
D535,721 S * 1/2007 Ford D23/213
D817,446 S * 5/2018 Kinzel D23/231
D856,480 S * 8/2019 Andrews D23/233
D867,529 S * 11/2019 Yang D23/213
D872,829 S * 1/2020 Bloom D23/213

D887,269 S * 6/2020 Marik D9/453
D888,197 S * 6/2020 McDonnell D9/442
D904,564 S * 12/2020 Villeneuve D23/213
D929,535 S * 8/2021 Healy D23/214
D931,409 S * 9/2021 Stanca D23/213
D936,785 S * 11/2021 Vaughan D23/213
D937,383 S * 11/2021 Thibodeau B29C 49/60
D23/213
D950,012 S * 4/2022 Reed D23/213
(Continued)

OTHER PUBLICATIONS

MroMax 1Pcs 1.1mm Foam Orifice Nozzle Tip, Dec. 8, 2019,
amazon.com, May 24, 2022 <https://www.amazon.com/MroMax-Cannon-Orifice-Nozzle-Universal/dp/B082GX7TWY/> (Year: 2019).*
(Continued)

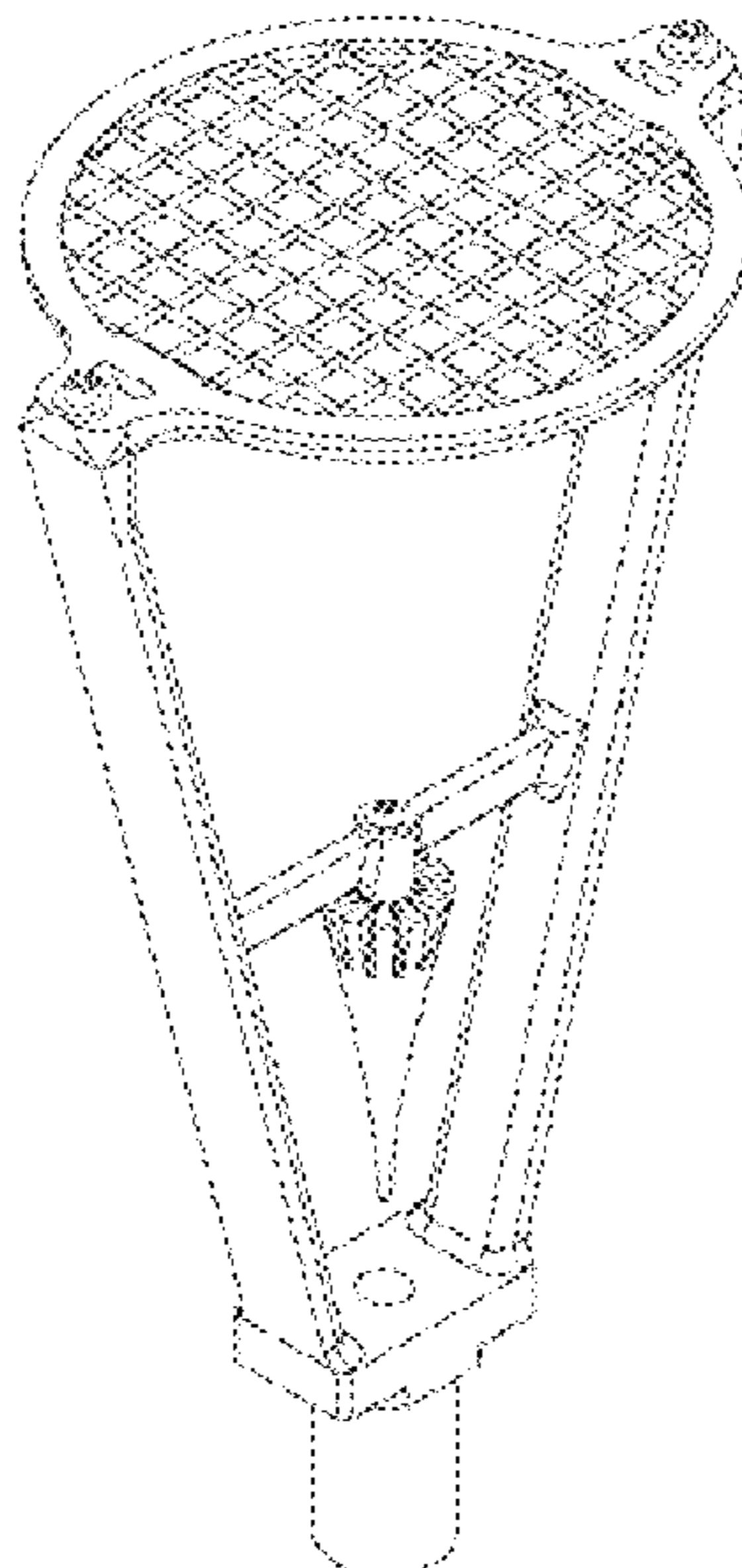
Primary Examiner — Keith J Wilson
(74) *Attorney, Agent, or Firm* — Jacob M. Ward; Ward
Law Office LLC

(57) **CLAIM**
We claim the ornamental design for a foam nozzle, as shown
and described.

DESCRIPTION

FIG. 1 is a perspective view from the top of a foam nozzle,
showing our new design;
FIG. 2 is a perspective view from the bottom thereof;
FIG. 3 is a front elevation view thereof;
FIG. 4 is a left-side elevation view thereof;
FIG. 5 is a rear elevation view thereof;
FIG. 6 is a right-side elevation view thereof;
FIG. 7 is a top plan view thereof; and,
FIG. 8 is a bottom plan view thereof.
The broken lines shown in the figures are included for the
purpose of illustrating environment and form no part of the
claimed design.

1 Claim, 8 Drawing Sheets



(56)

References Cited

U.S. PATENT DOCUMENTS

2014/0239095 A1* 8/2014 Short B05B 1/14
239/404
2018/0363912 A1* 12/2018 Graham F23D 17/002

OTHER PUBLICATIONS

AkroFoam Master Stream Nozzle, Feb. 15, 2019, amazon.com,
May 24, 2019 https://www.akronbrass.com/more-products/foam-equipment/akrofoamtm-master-stream-nozzle-with-pickup-tube-4182#product_tabs_drawings (Year: 2019).*

* cited by examiner

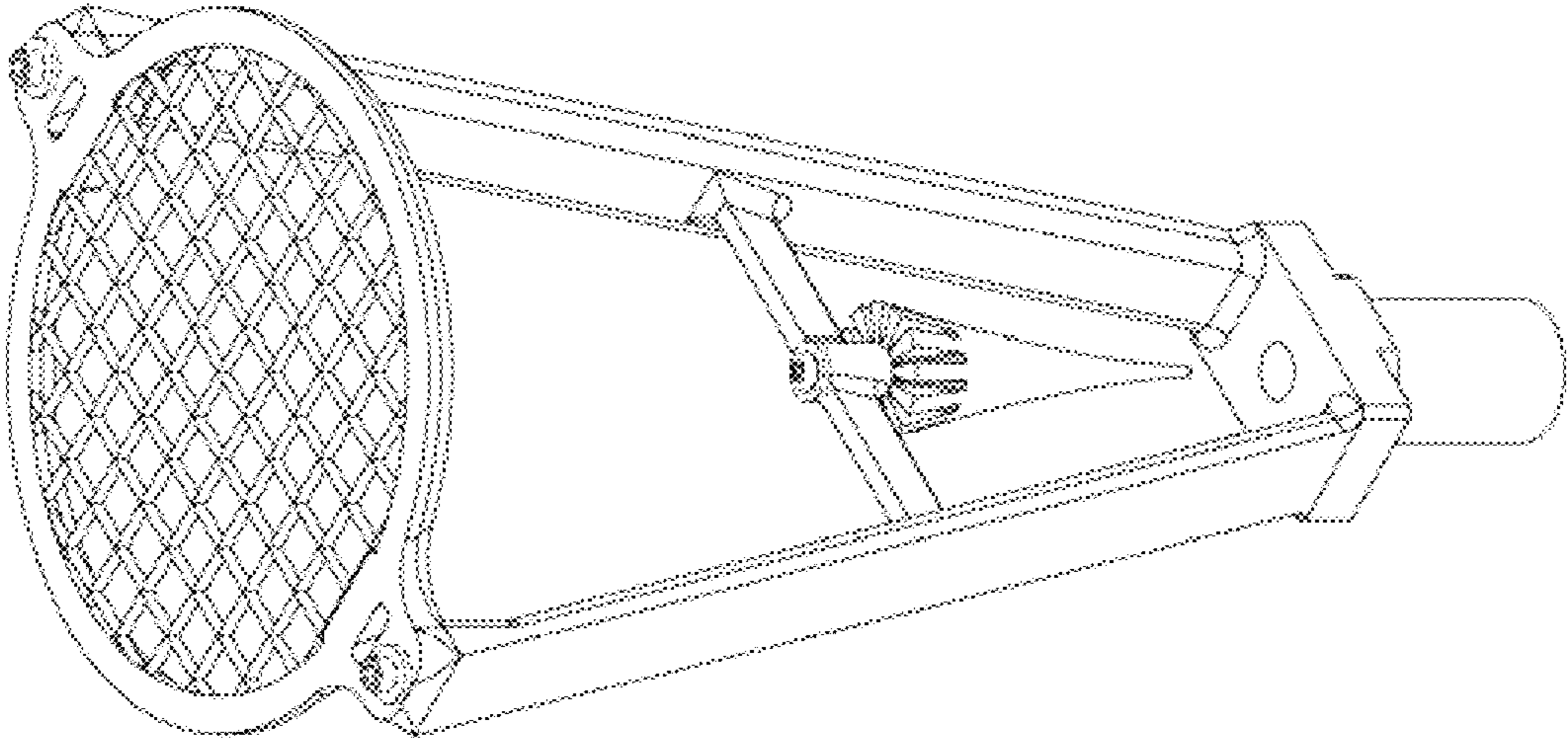


FIG. 1

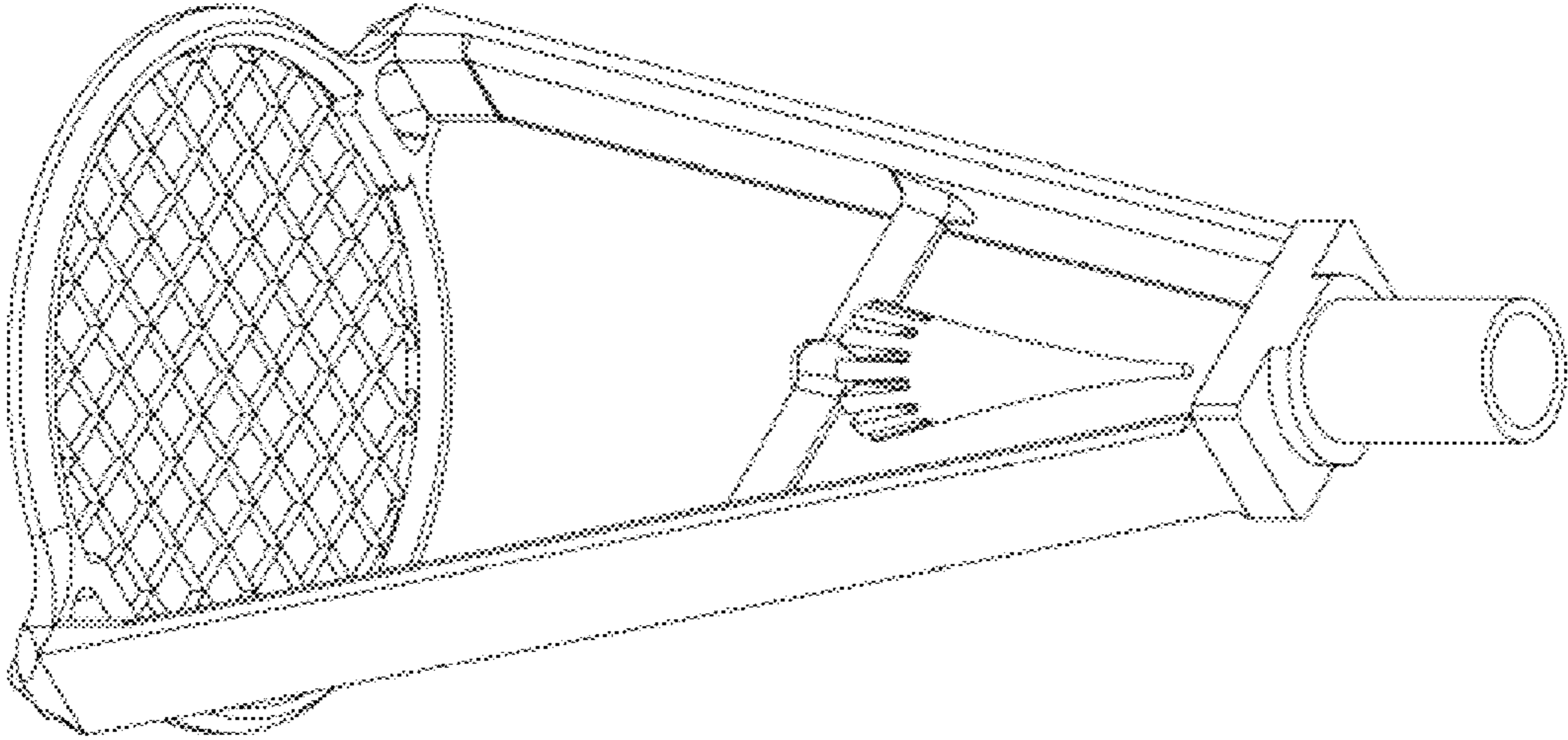


FIG. 2

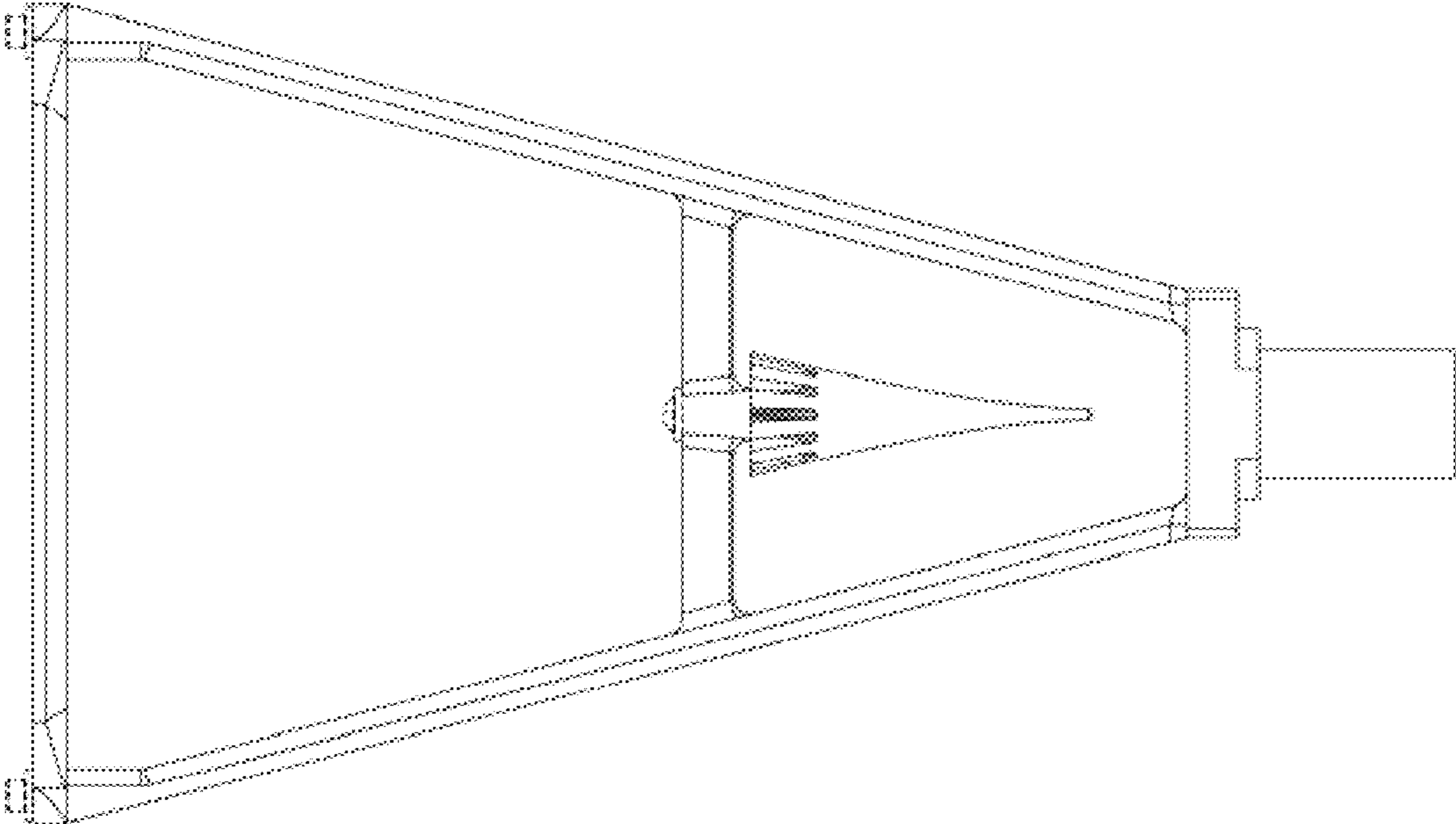


FIG. 3

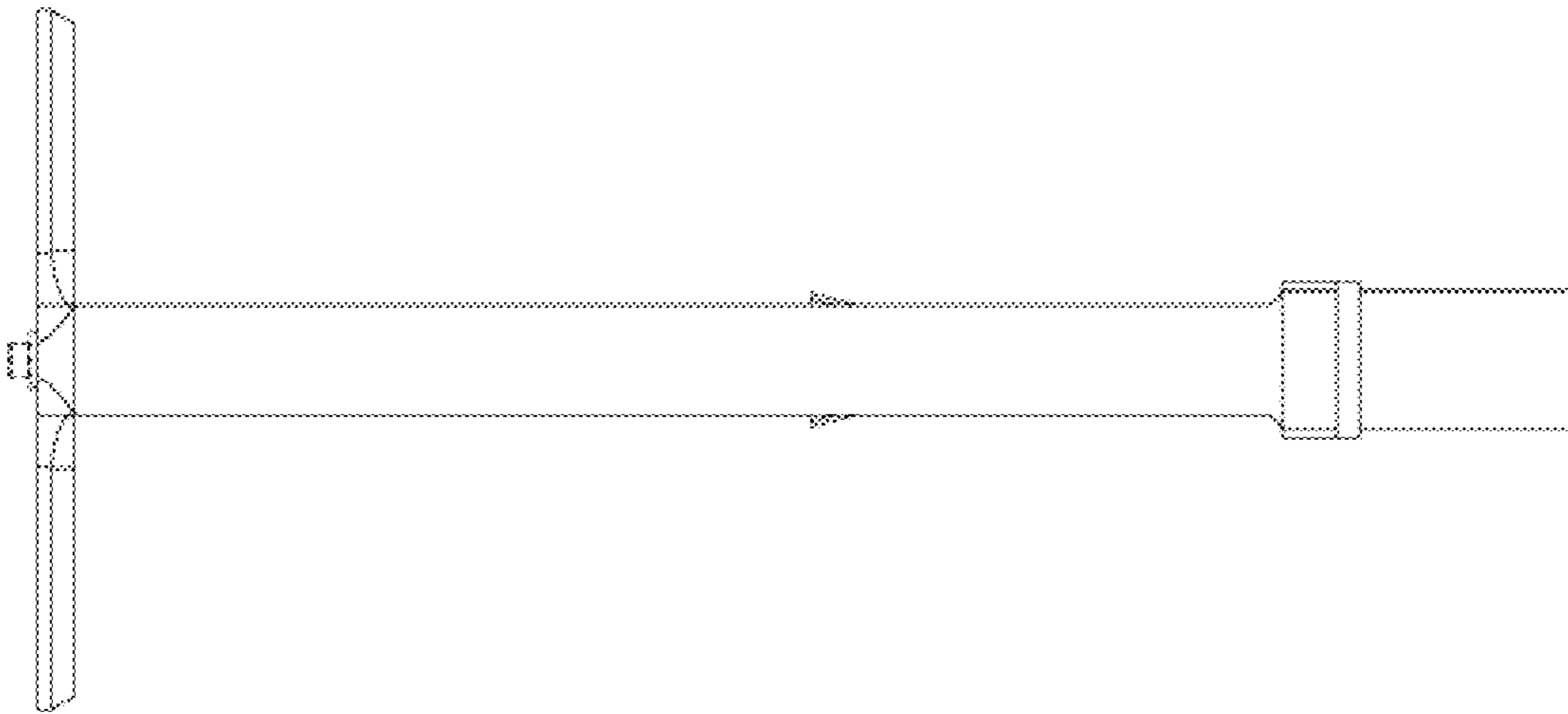


FIG. 4

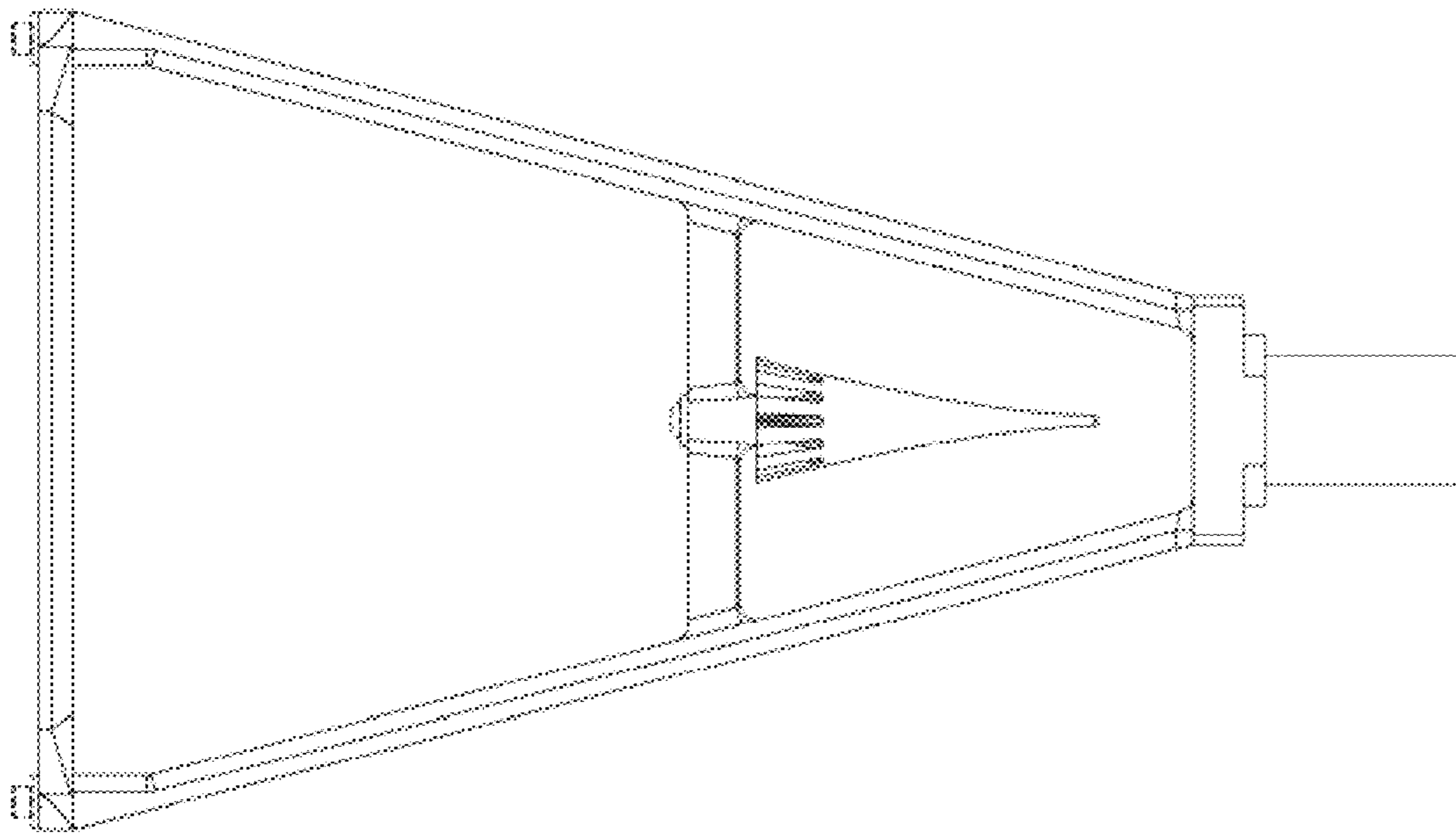


FIG. 5

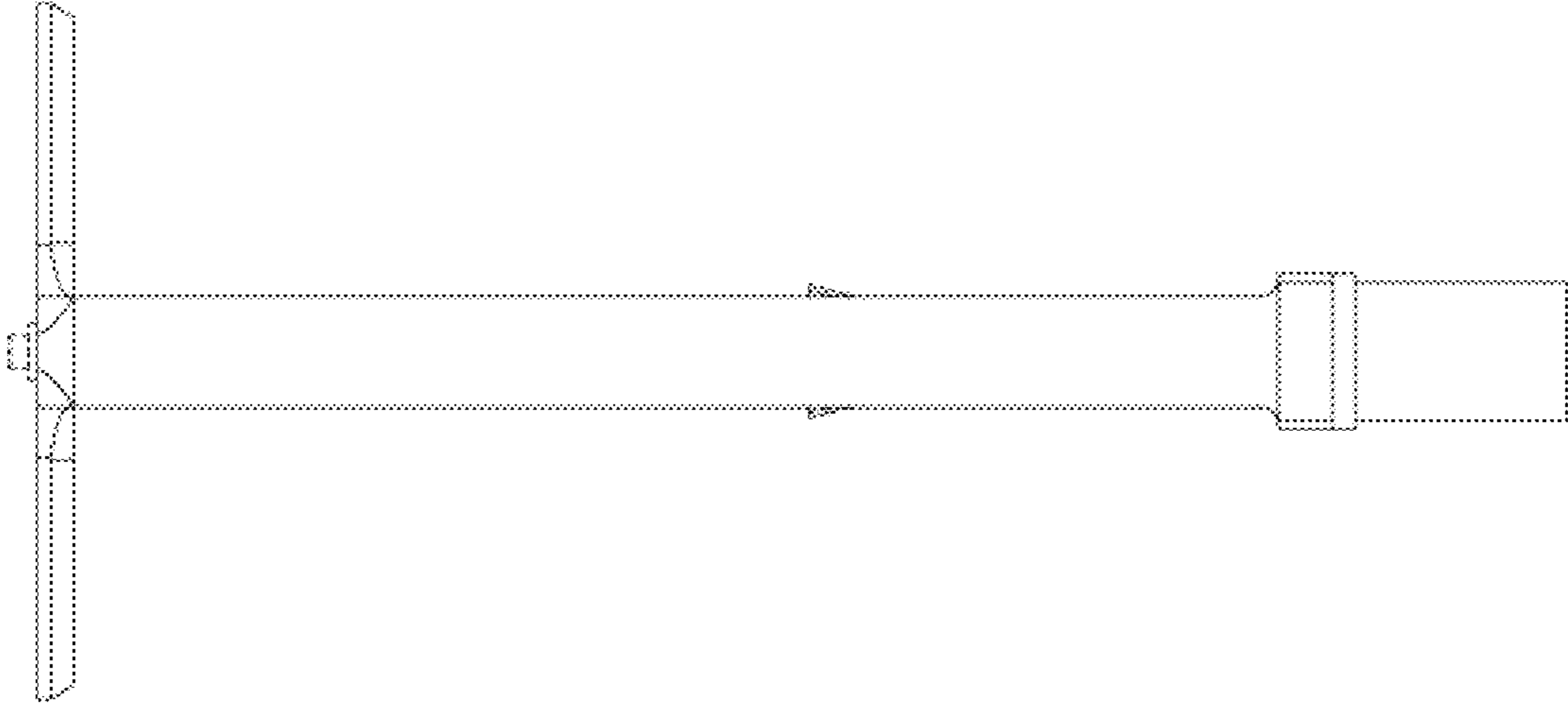


FIG. 6

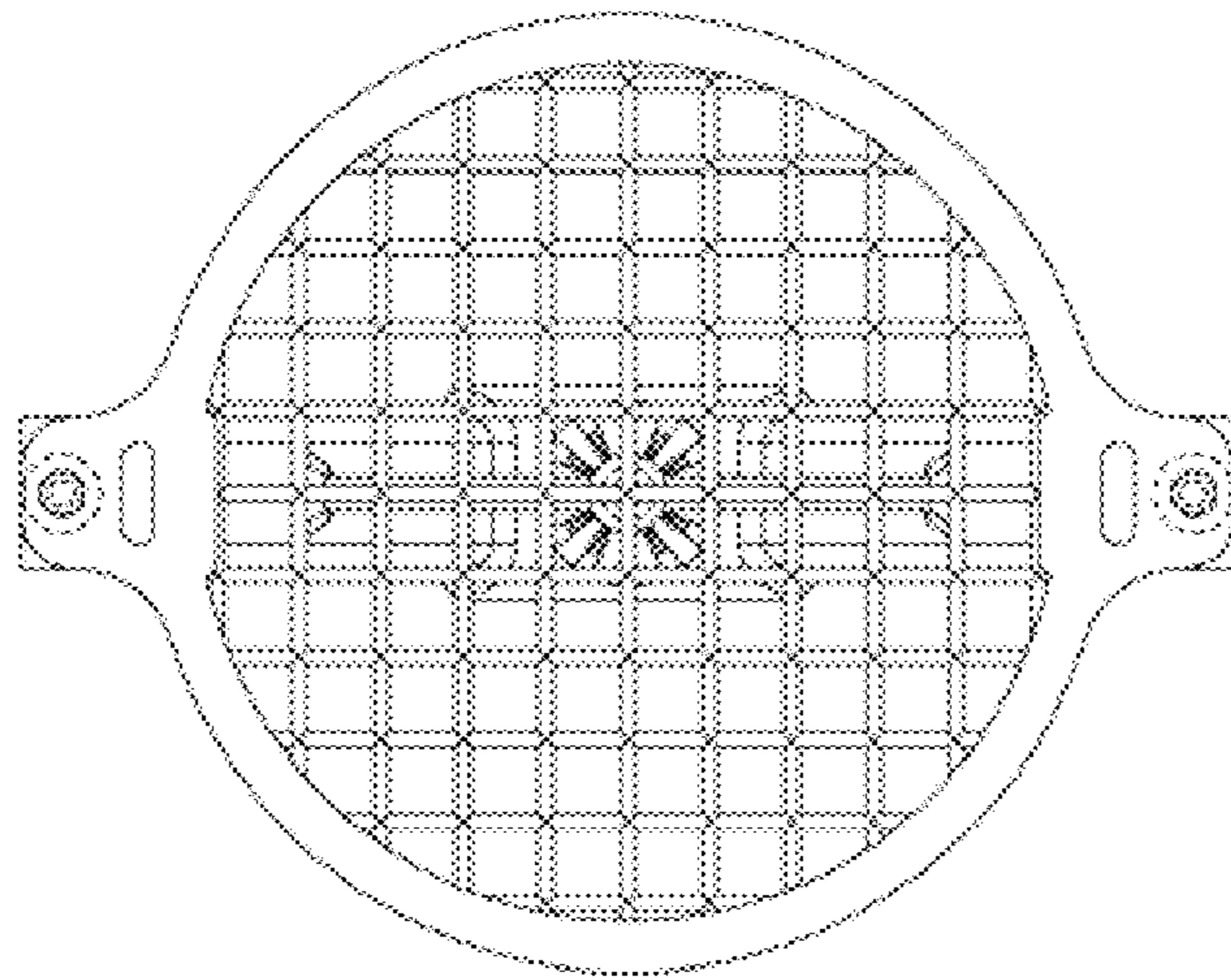


FIG. 7

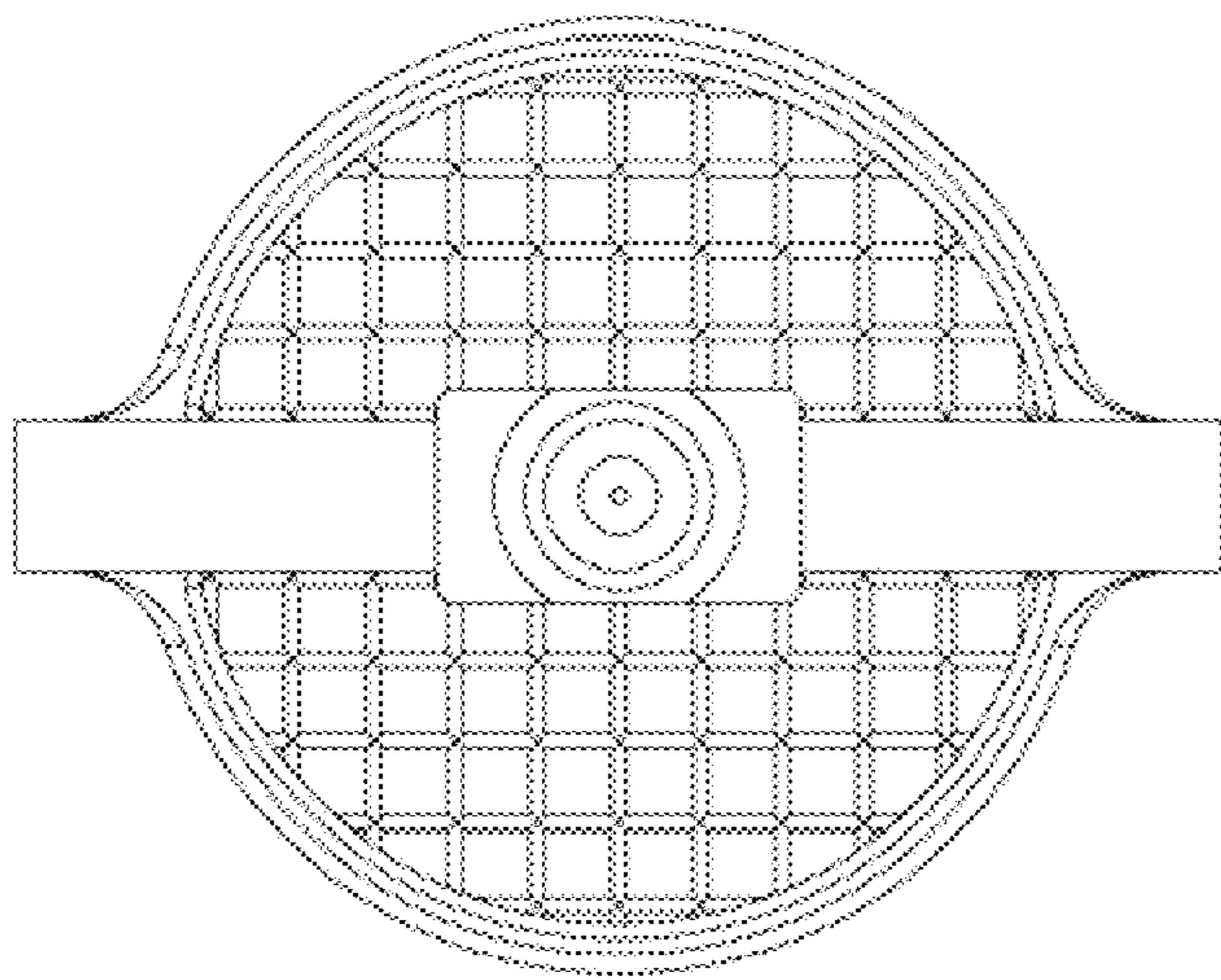


FIG. 8