



US00D964514S

(12) **United States Design Patent**
Walser et al.

(10) **Patent No.:** **US D964,514 S**
(45) **Date of Patent:** **** Sep. 20, 2022**

- (54) **FAUCET STREAM STRAIGHTENER**
- (71) Applicant: **Neoperl GmbH**, Mullheim (DE)
- (72) Inventors: **Dietmar Walser**, Efringen-Kirchen (DE); **Alexander Stein**, Ihringen (DE); **Holger Schurle**, Mullheim (DE)
- (73) Assignee: **Neoperl GmbH**, Müllheim (DE)
- (**) Term: **15 Years**
- (21) Appl. No.: **29/682,835**
- (22) Filed: **Mar. 8, 2019**

D753,792 S 4/2016 Blum
 D776,242 S 1/2017 Blum
 D788,264 S 5/2017 Stein
 D797,236 S 9/2017 Blum
 D800,250 S * 10/2017 Blum D23/213
 (Continued)

FOREIGN PATENT DOCUMENTS

DE 3006660 8/1981
 DE 3643320 7/1988
 (Continued)

Primary Examiner — Keli L Hill
 (74) *Attorney, Agent, or Firm* — Volpe Koenig

Related U.S. Application Data

- (63) Continuation-in-part of application No. PCT/EP2017/001093, filed on Sep. 15, 2017, and a continuation-in-part of application No. 35/502,777, filed on Mar. 7, 2017 (U.S. filing date under 35 U.S.C. 384), and having an international filing date of Mar. 7, 2017, now Pat. No. Des. 849,888.
- (51) **LOC (13) Cl.** **23-01**
- (52) **U.S. Cl.**
USPC **D23/213**
- (58) **Field of Classification Search**
USPC D23/213, 229, 233, 235, 247–249, 264
CPC B05B 7/0425; E03C 1/08; E03C 1/084;
E03C 1/086; E03C 2001/026
See application file for complete search history.

References Cited

U.S. PATENT DOCUMENTS

3,334,818 A 8/1967 Moen
 5,348,231 A 9/1994 Arnold et al.
 D605,732 S * 12/2009 Stein D23/249
 D614,735 S * 4/2010 Grether D23/249
 D641,836 S * 7/2011 Grether D23/249
 D690,796 S * 10/2013 Blum E03C 1/08
 D23/249
 D752,710 S 3/2016 Tempel

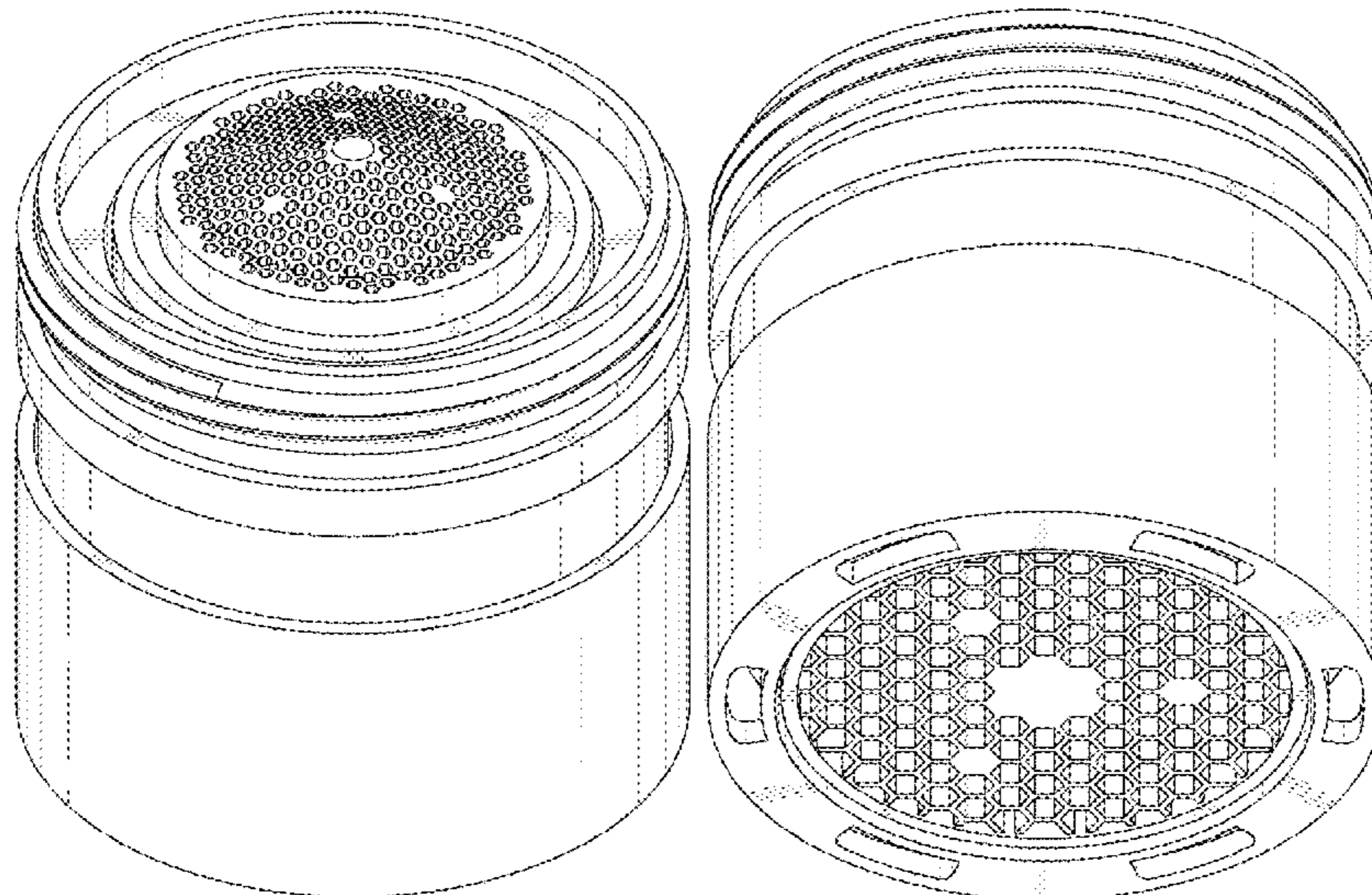
(57) **CLAIM**

The ornamental design for a faucet stream straightener, as shown and described.

DESCRIPTION

FIG. 1 is a top plan view of a first embodiment of a faucet stream straightener in accordance with my design;
 FIG. 2 is a top, front perspective view thereof;
 FIG. 3 is a bottom plan view thereof;
 FIG. 4 is a bottom, rear perspective view thereof;
 FIG. 5 is a front elevational view thereof;
 FIG. 6 is a right side elevational view thereof;
 FIG. 7 is a rear elevational view thereof; and
 FIG. 8 is a left side elevational view thereof;
 FIG. 9 is a top plan view of a second embodiment of a faucet stream straightener in accordance with my design;
 FIG. 10 is a top, front perspective view thereof;
 FIG. 11 is a bottom plan view thereof;
 FIG. 12 is a bottom, rear perspective view thereof;
 FIG. 13 is a front elevational view thereof;
 FIG. 14 is a right side elevational view thereof;
 FIG. 15 is a rear elevational view thereof; and,
 FIG. 16 is a left side elevational view thereof.

1 Claim, 16 Drawing Sheets



(56)

References Cited

U.S. PATENT DOCUMENTS

D828,492	S	9/2018	Stein et al.	
D833,573	S *	11/2018	Blum	D23/213
D834,153	S *	11/2018	Tempel	D23/260
D840,503	S	2/2019	Stein	
D844,747	S	4/2019	Blum	
D844,748	S	4/2019	Schurle	
D849,888	S *	5/2019	Schürle	D23/213
D860,402	S *	9/2019	Blum	D23/249
D905,820	S *	12/2020	Weiß	E03C 1/08
				D23/213
D933,776	S *	10/2021	Blum	D23/213
2009/0224067	A1	9/2009	Grether et al.	
2010/0025612	A1	2/2010	Tasi	
2013/0068860	A1	3/2013	Tempel	
2014/0217202	A1	8/2014	Stein et al.	
2019/0203451	A1 *	7/2019	Birmelin	F16L 15/009
2021/0332575	A1 *	10/2021	Schurle	E03C 1/08

FOREIGN PATENT DOCUMENTS

DE	3903800	8/1990
DE	102006057795	2/2008
EP	1443151	8/2004
EP	2664719	11/2013
EP	2762234	8/2014

* cited by examiner

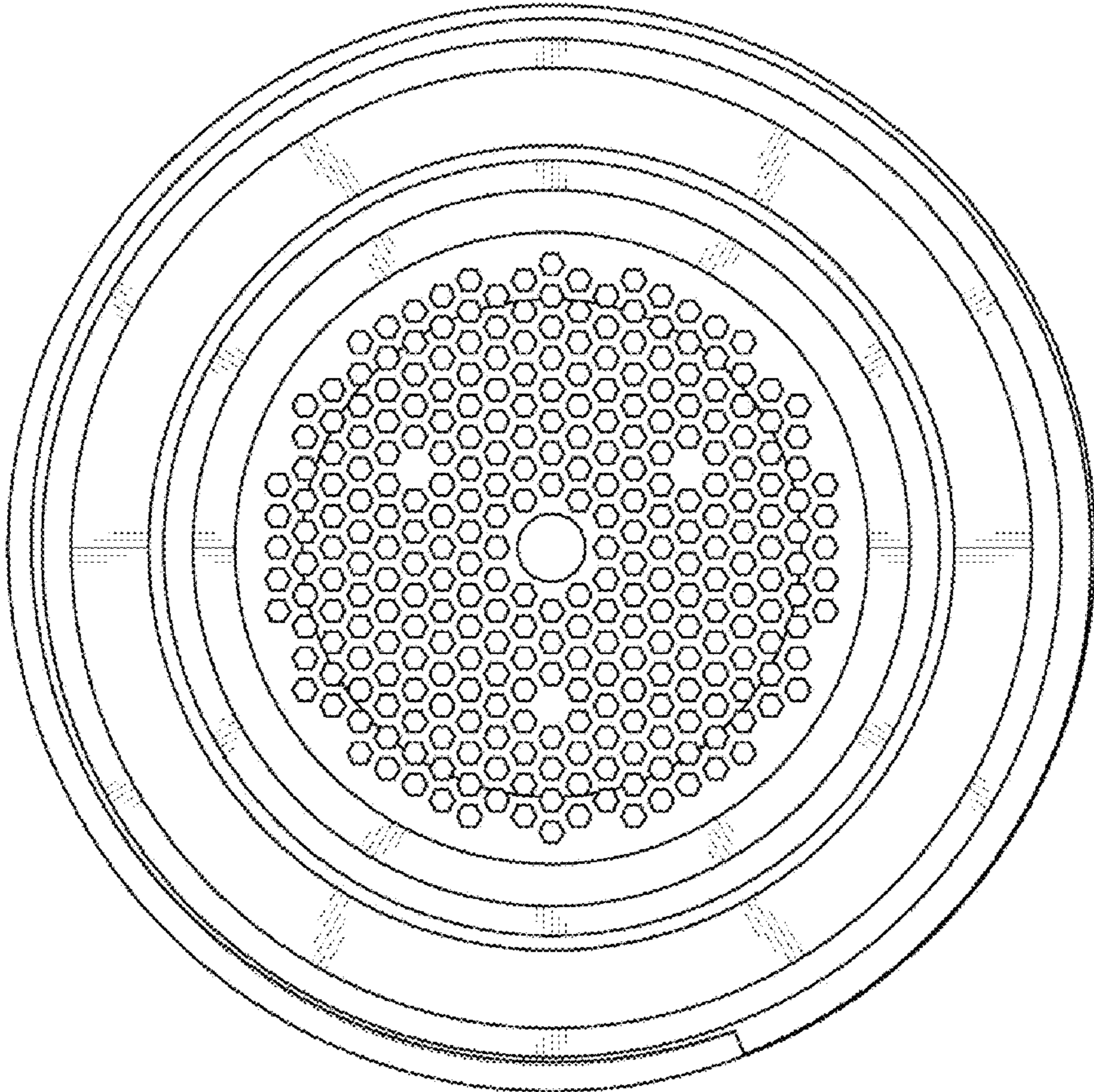


Fig. 1

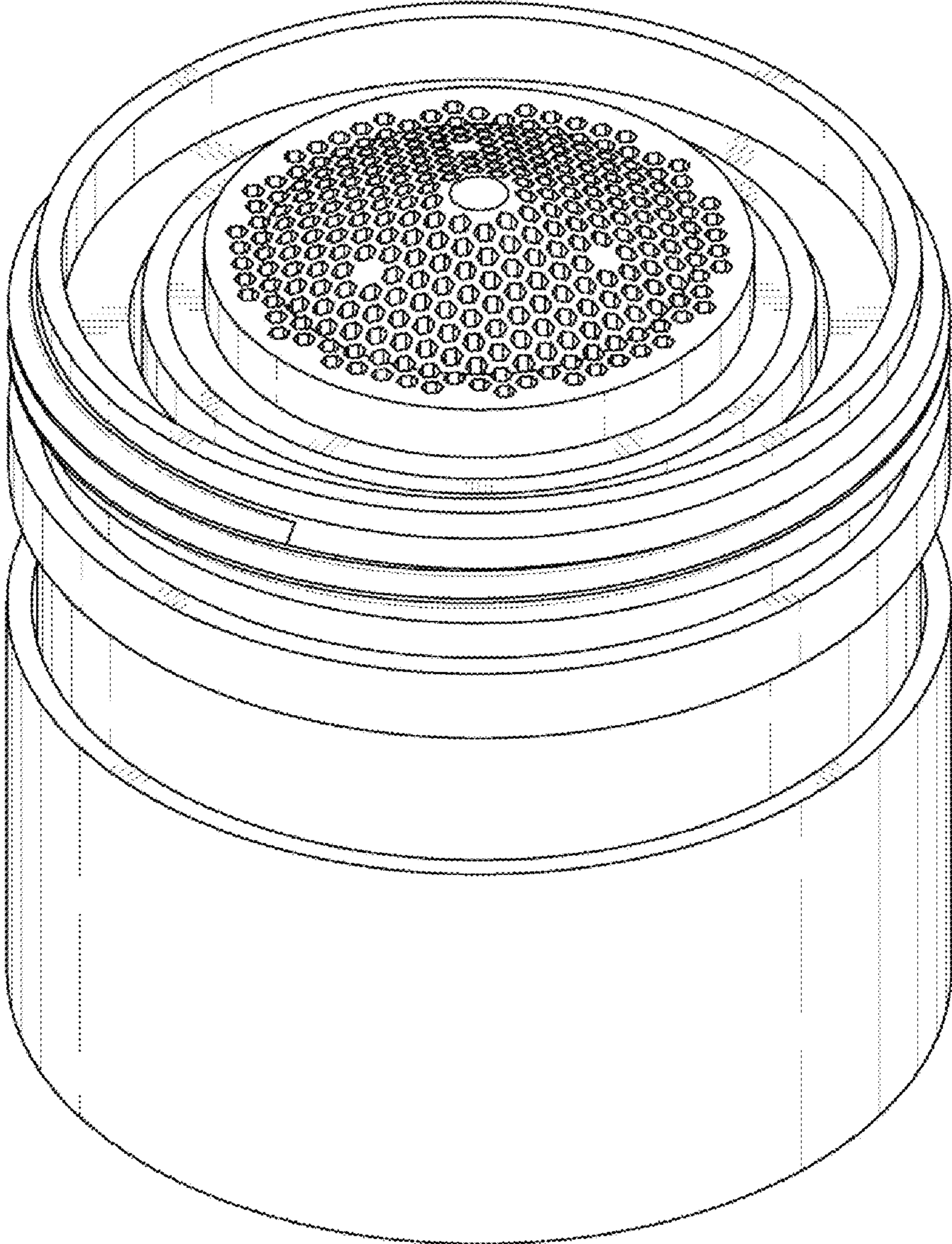


Fig. 2

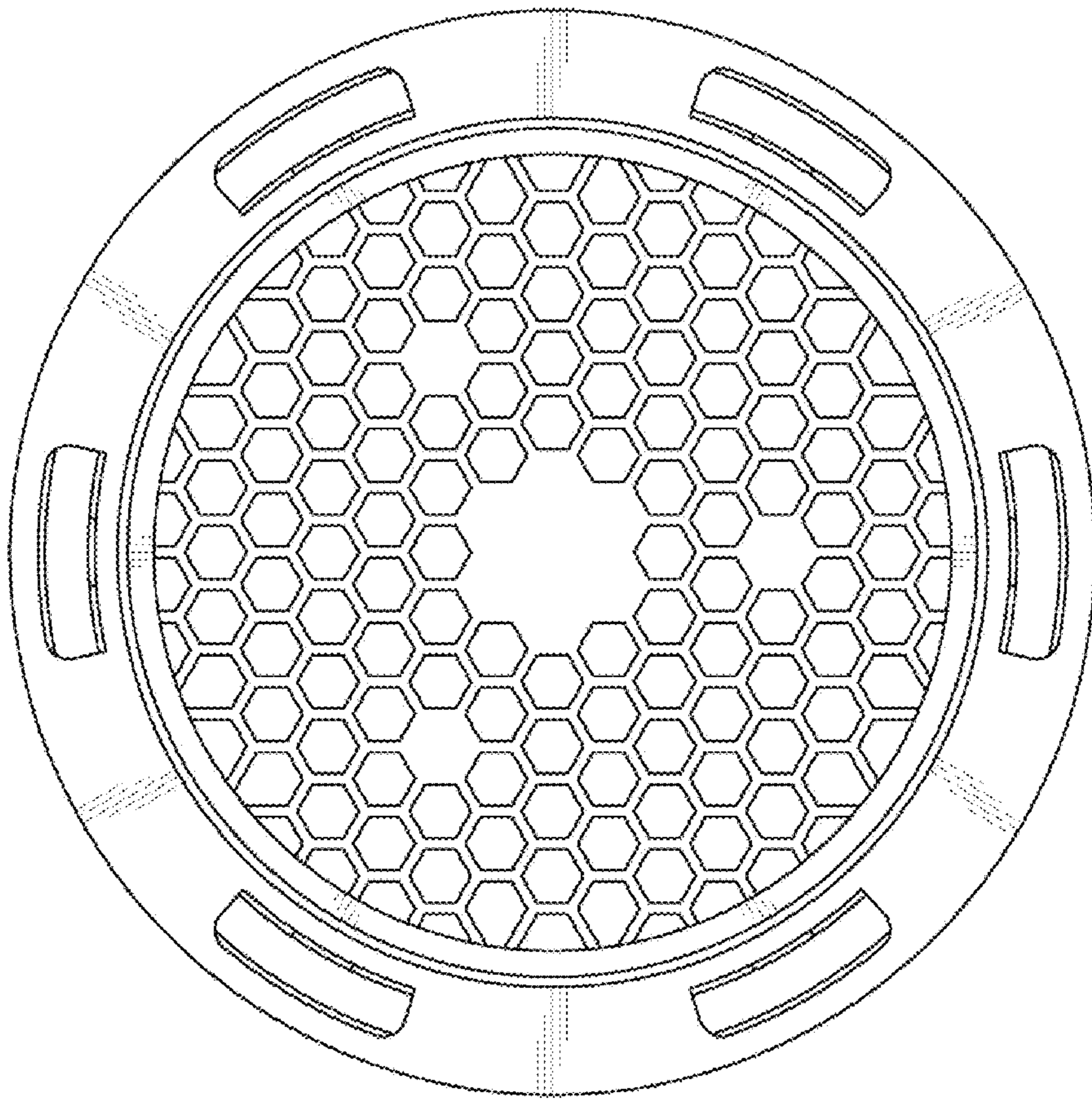


Fig. 3

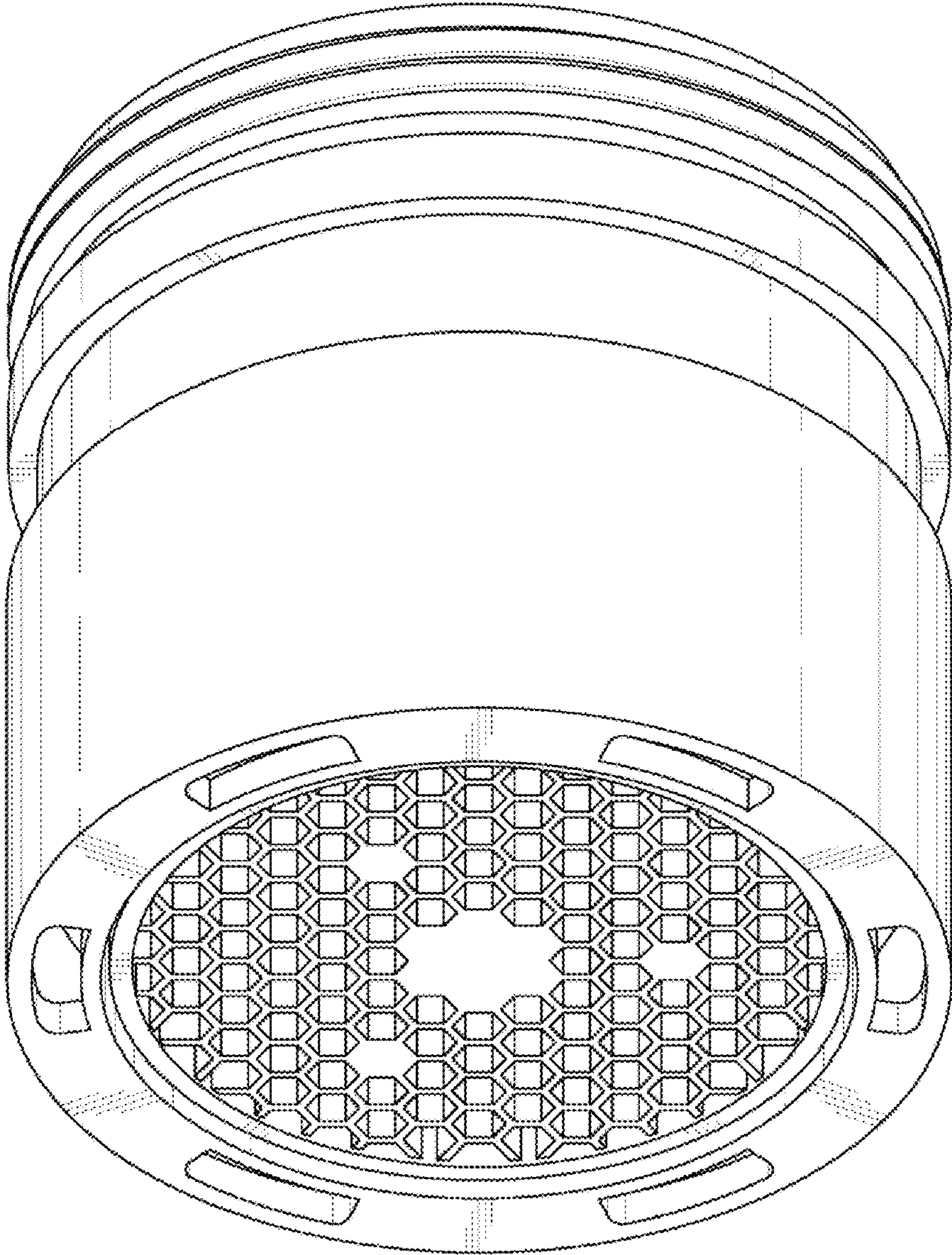


Fig. 4

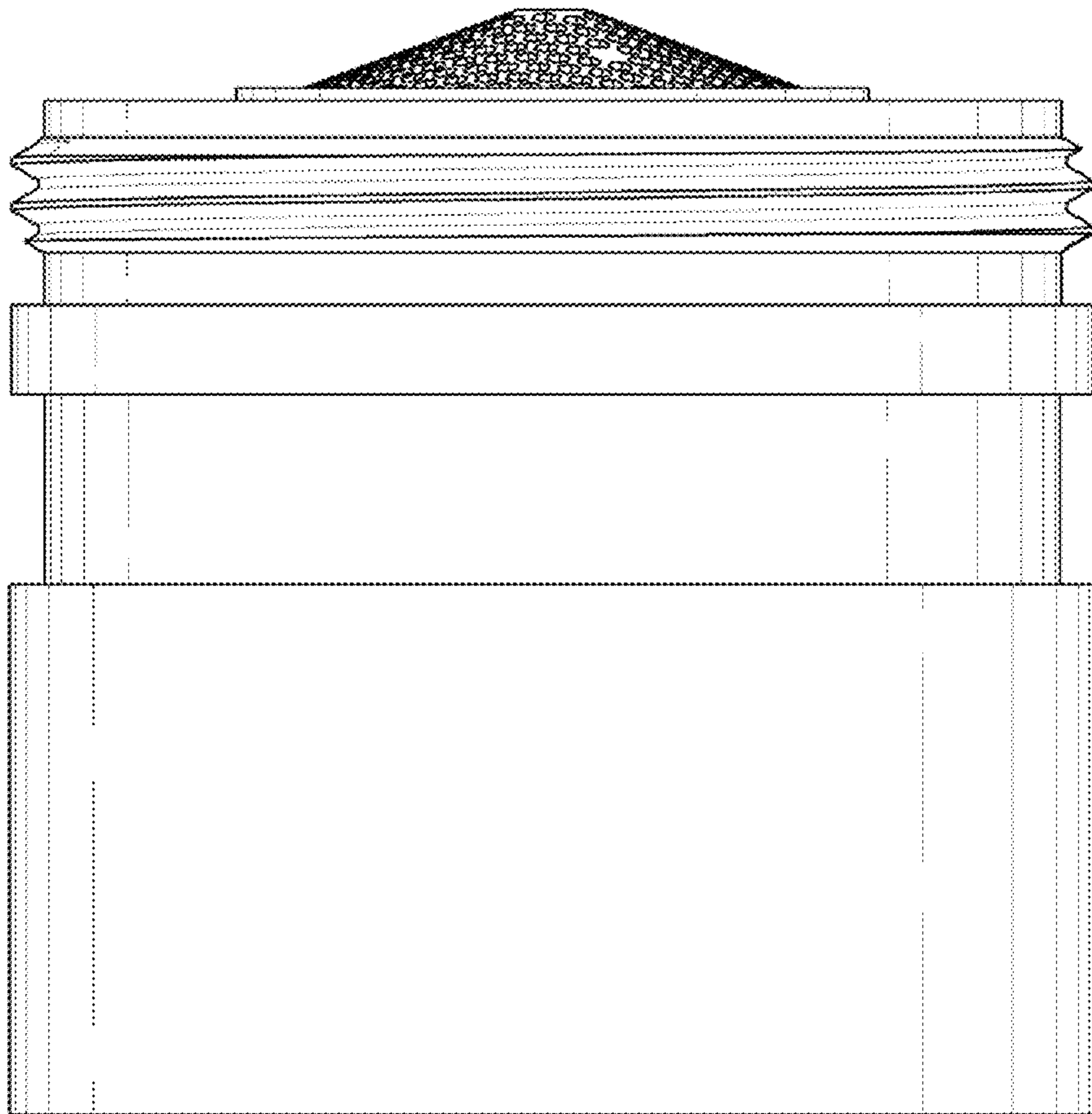


Fig. 5

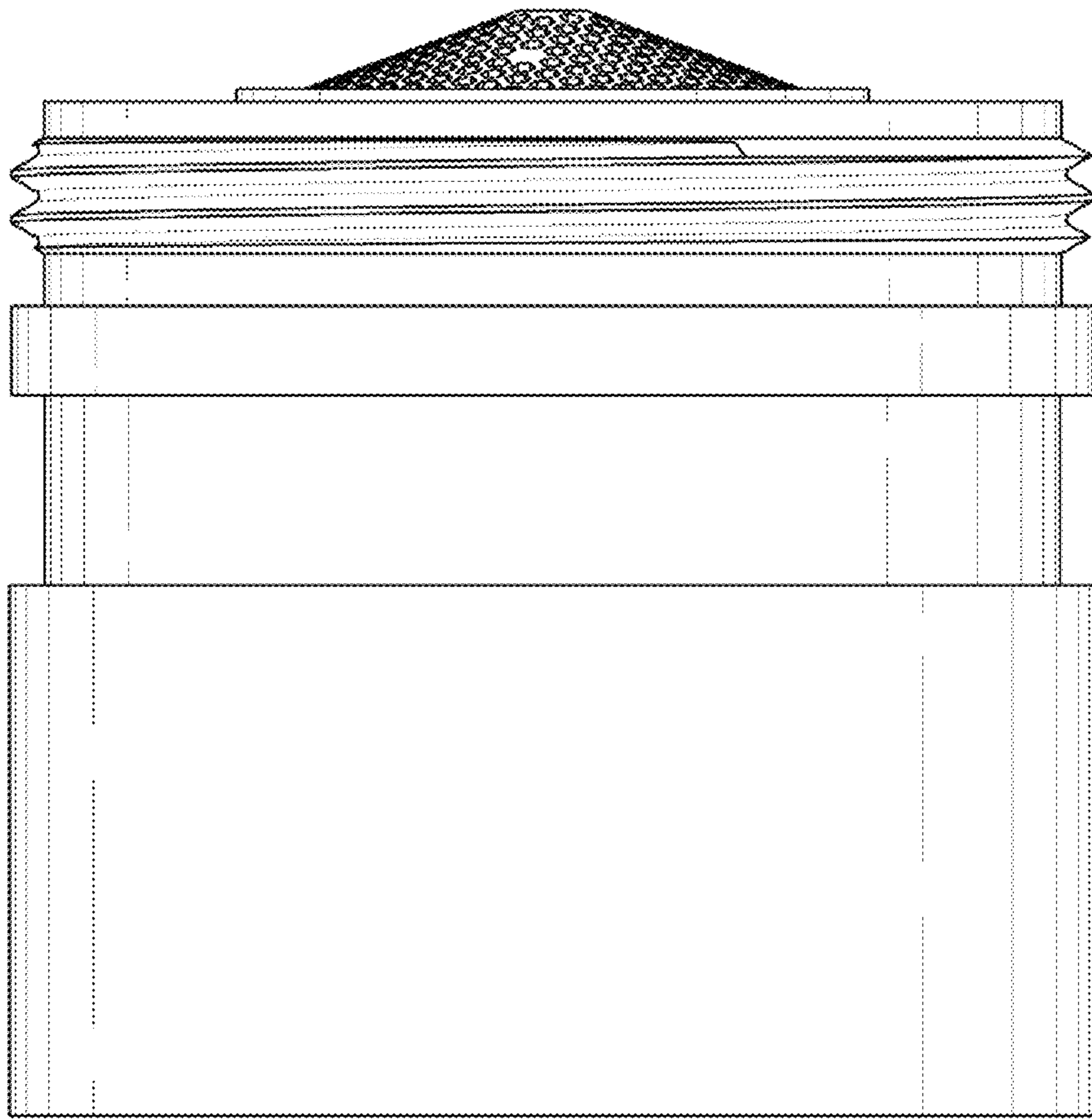


Fig. 6

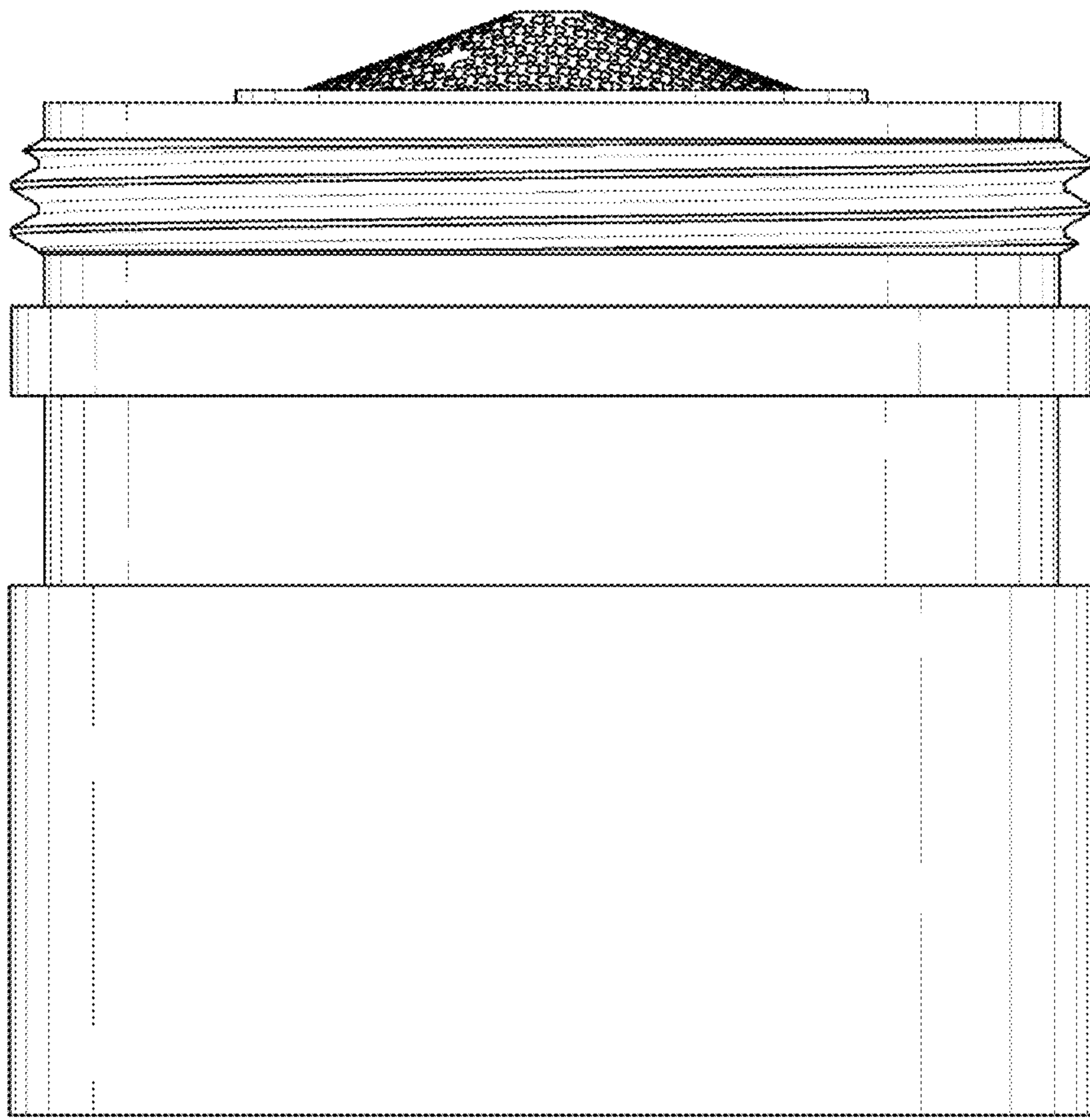


Fig. 7

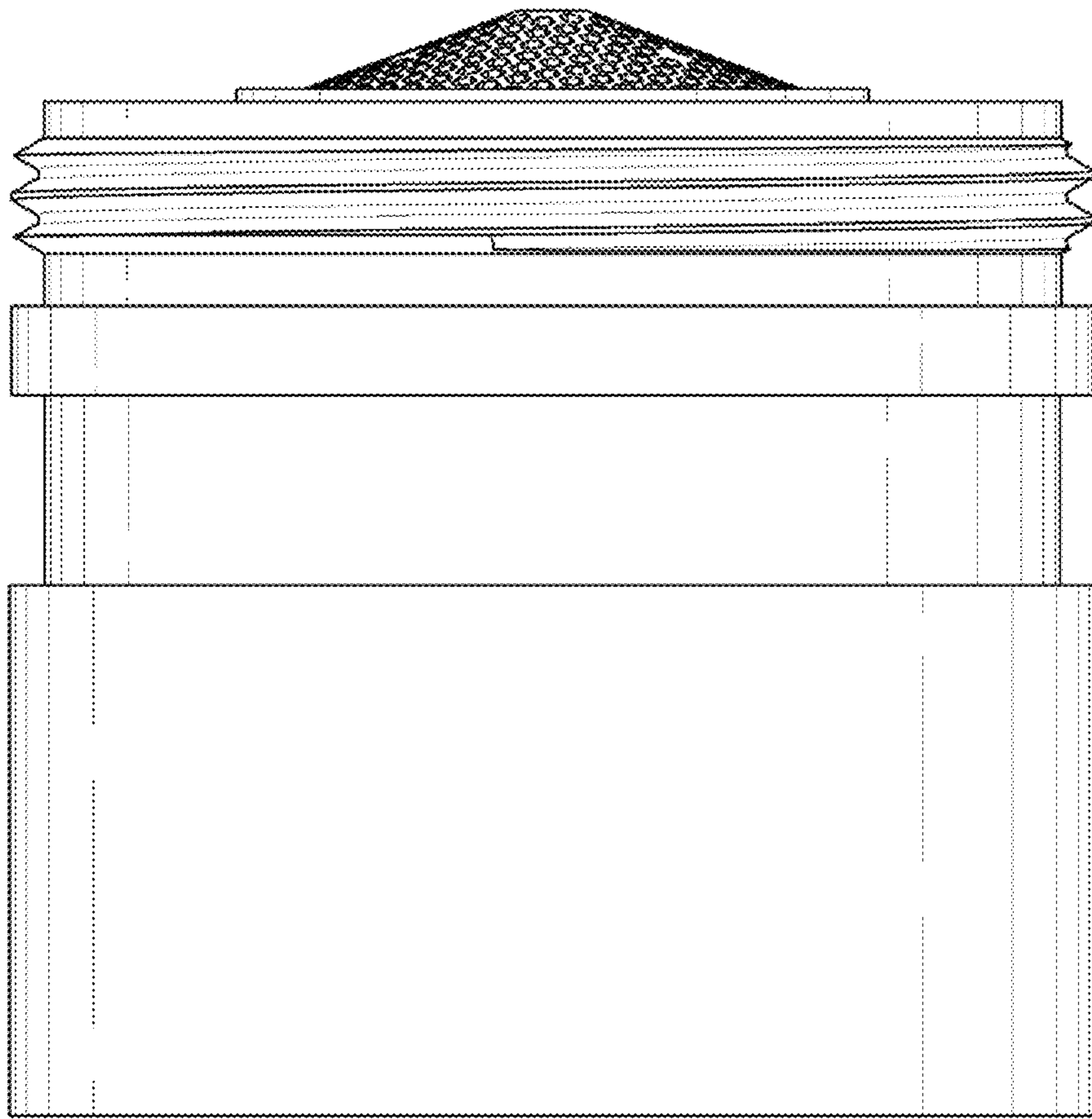


Fig. 8

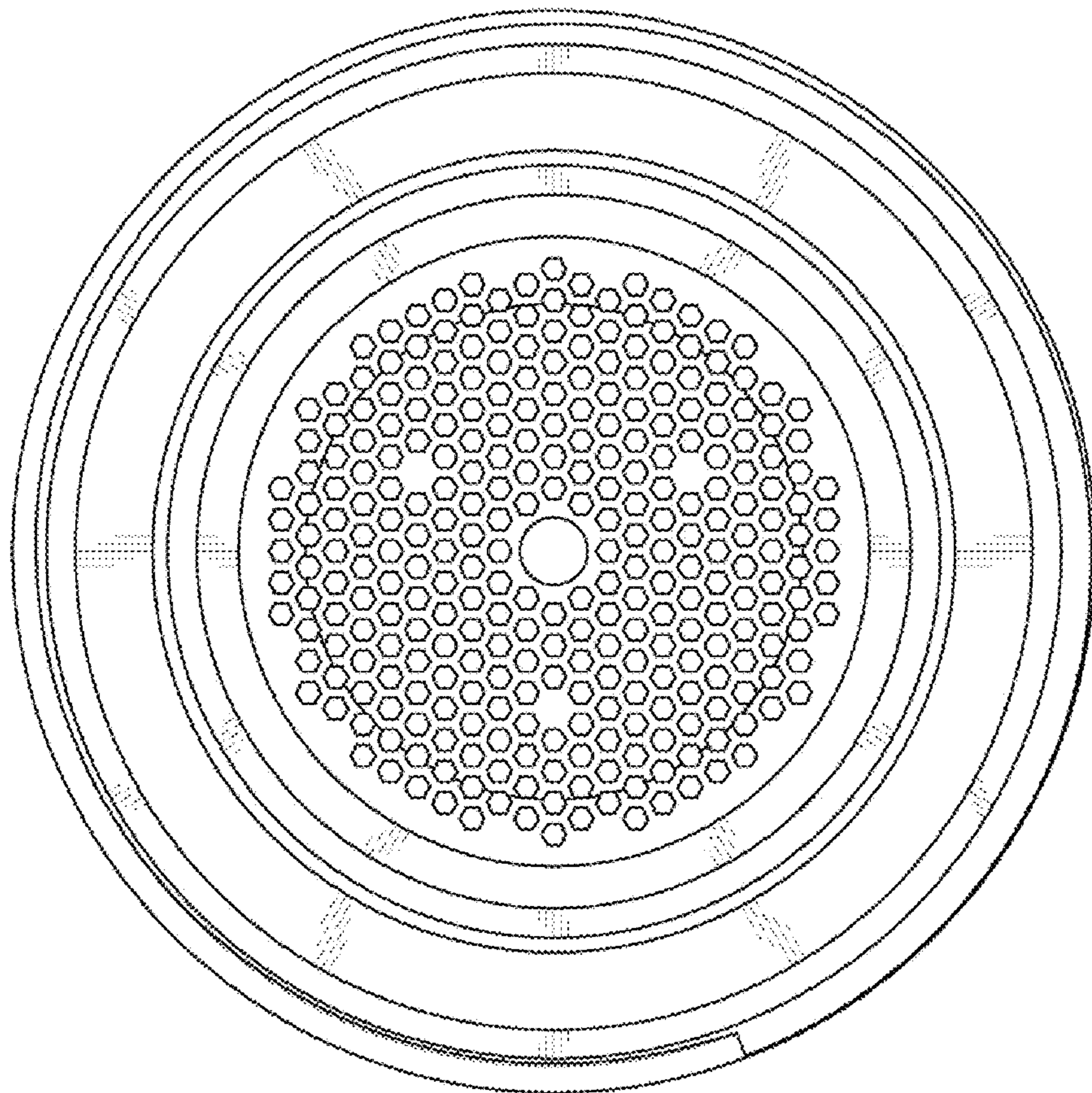


Fig. 9

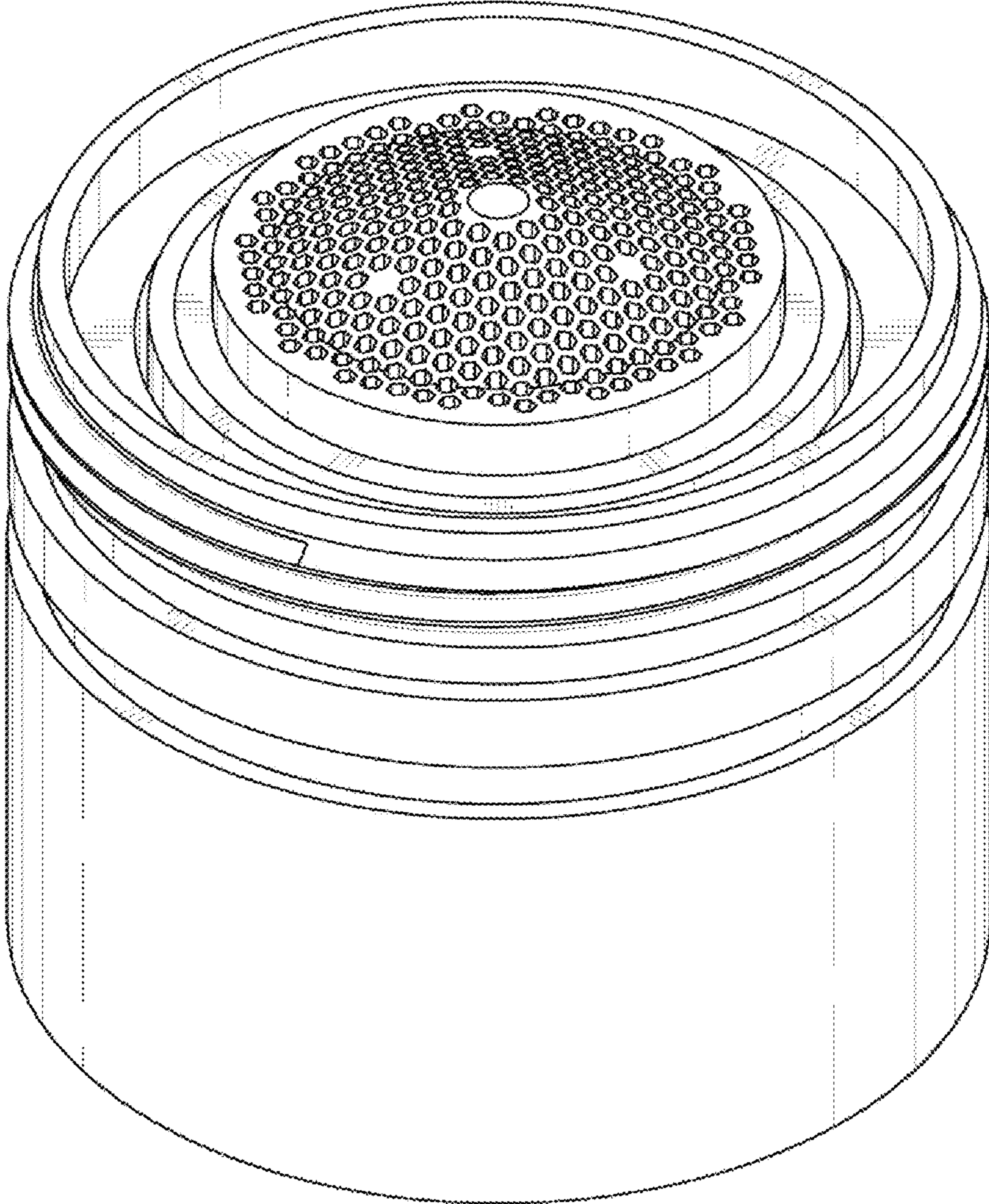


Fig. 10

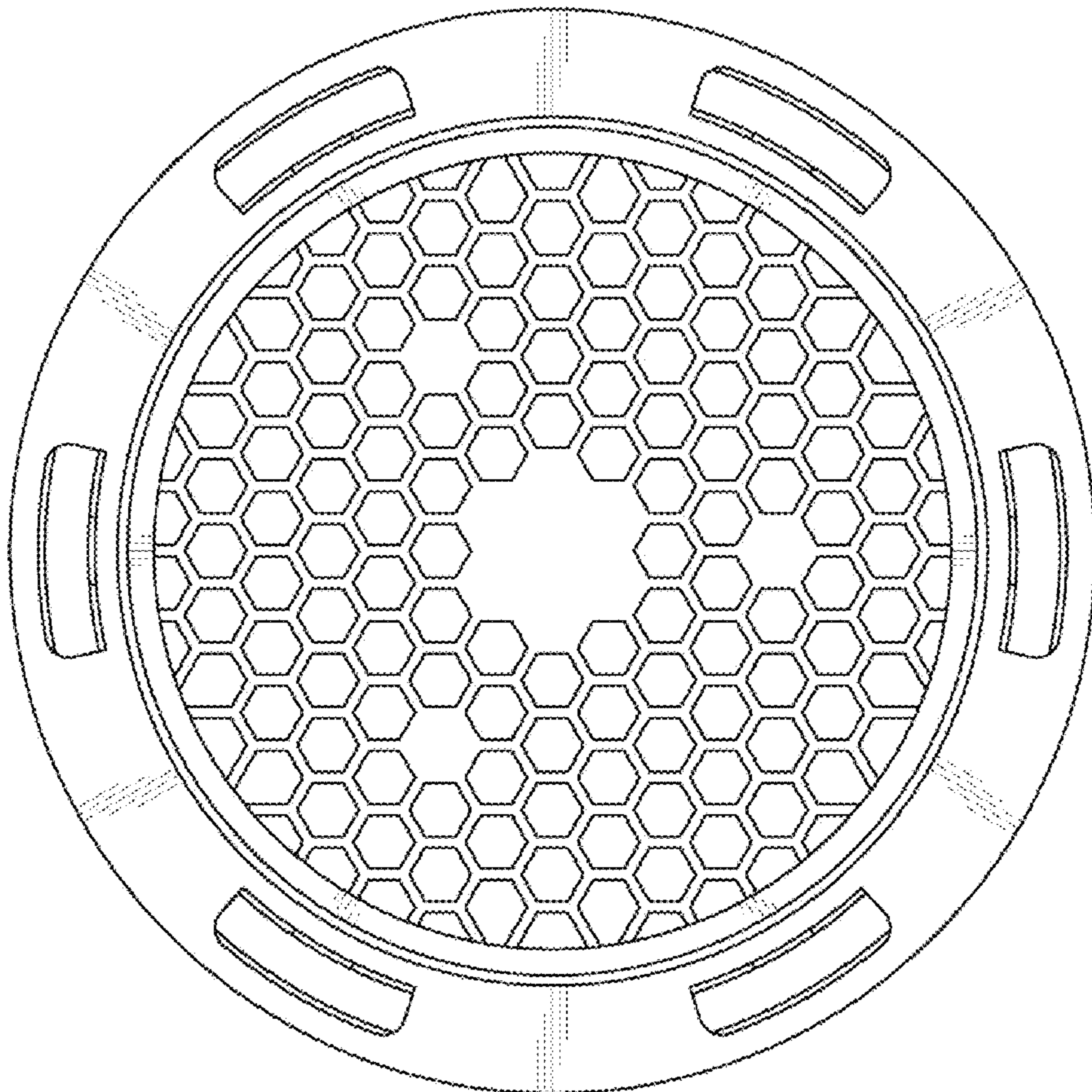


Fig. 11

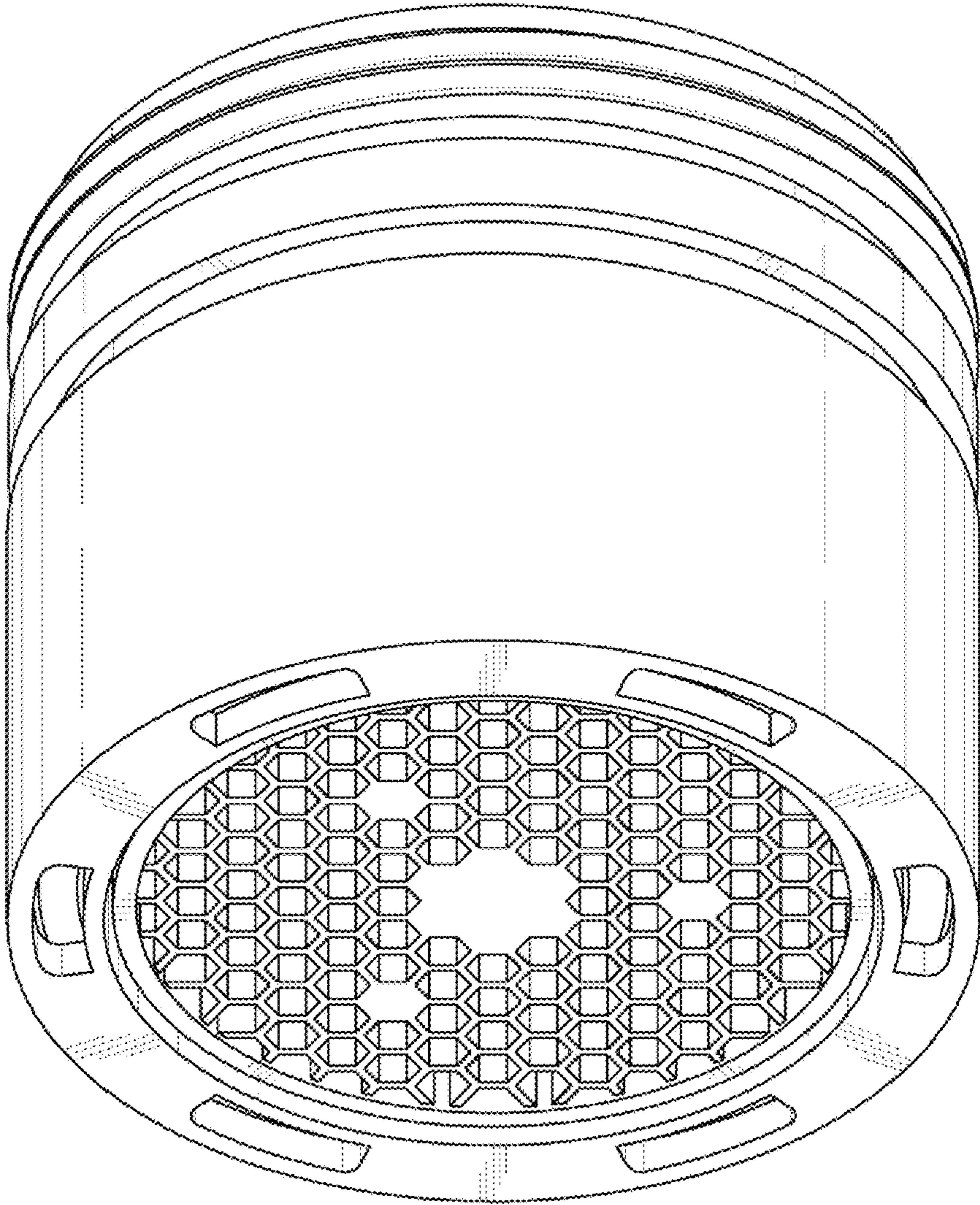


Fig. 12

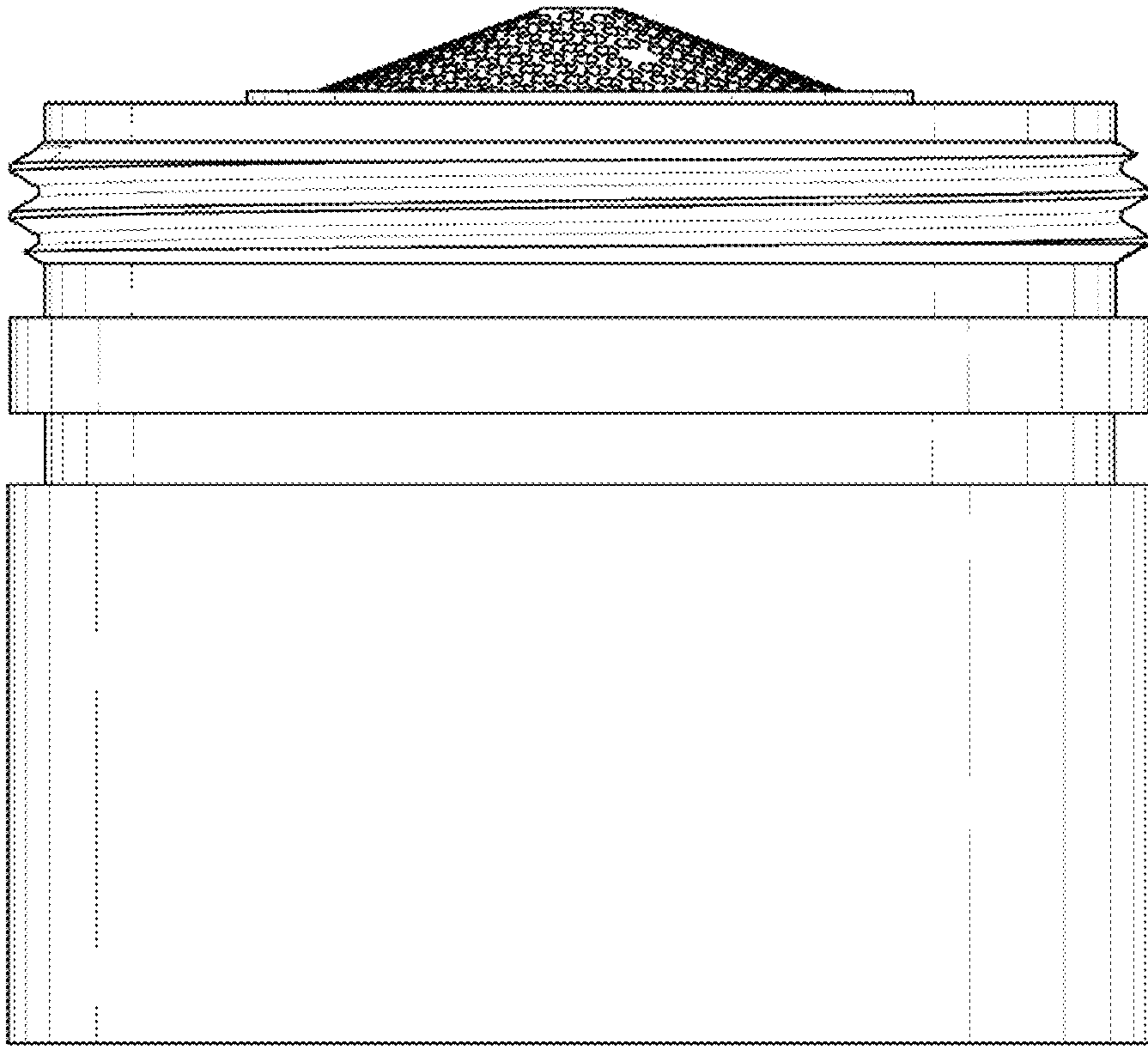


Fig. 13

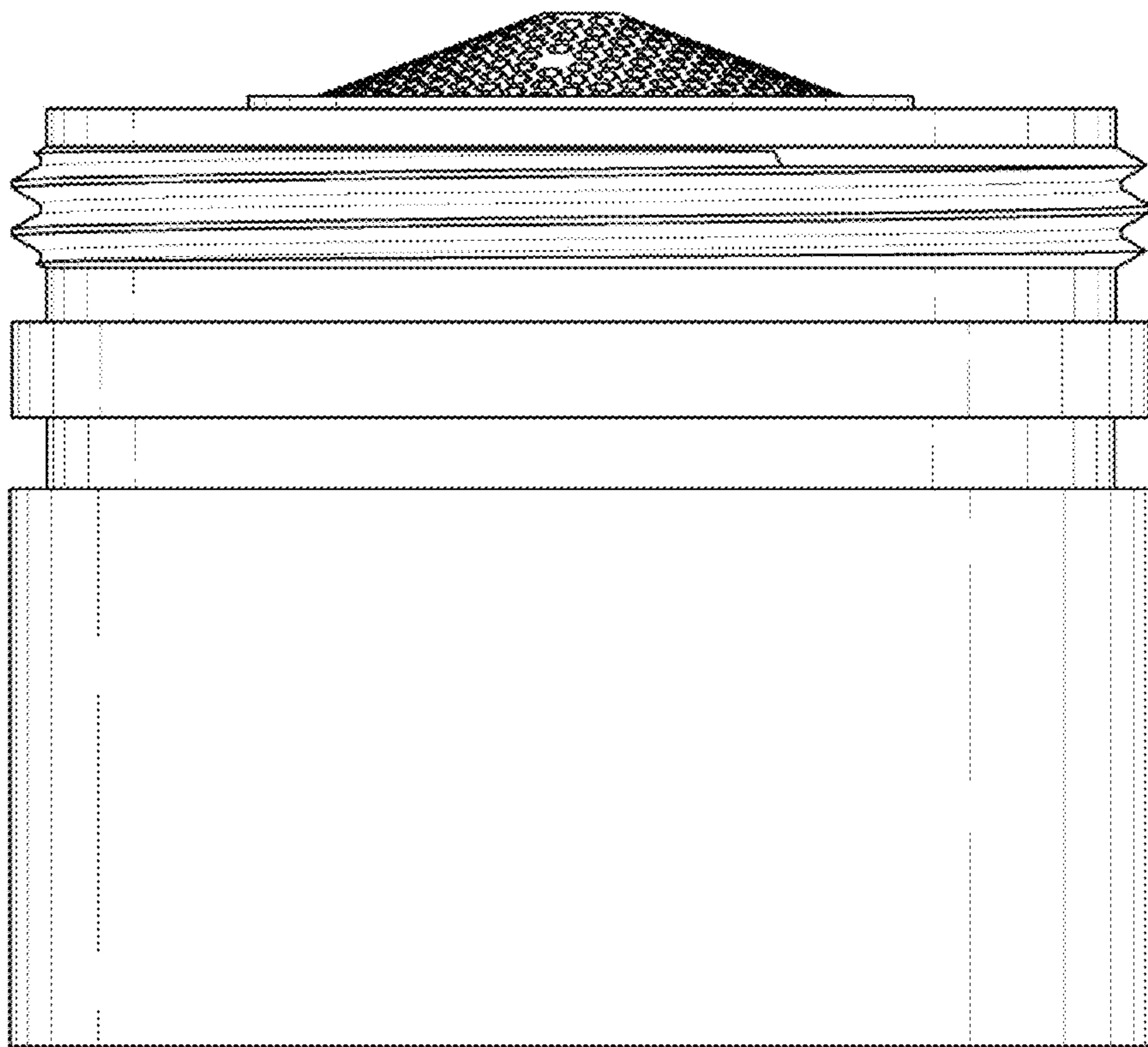


Fig. 14

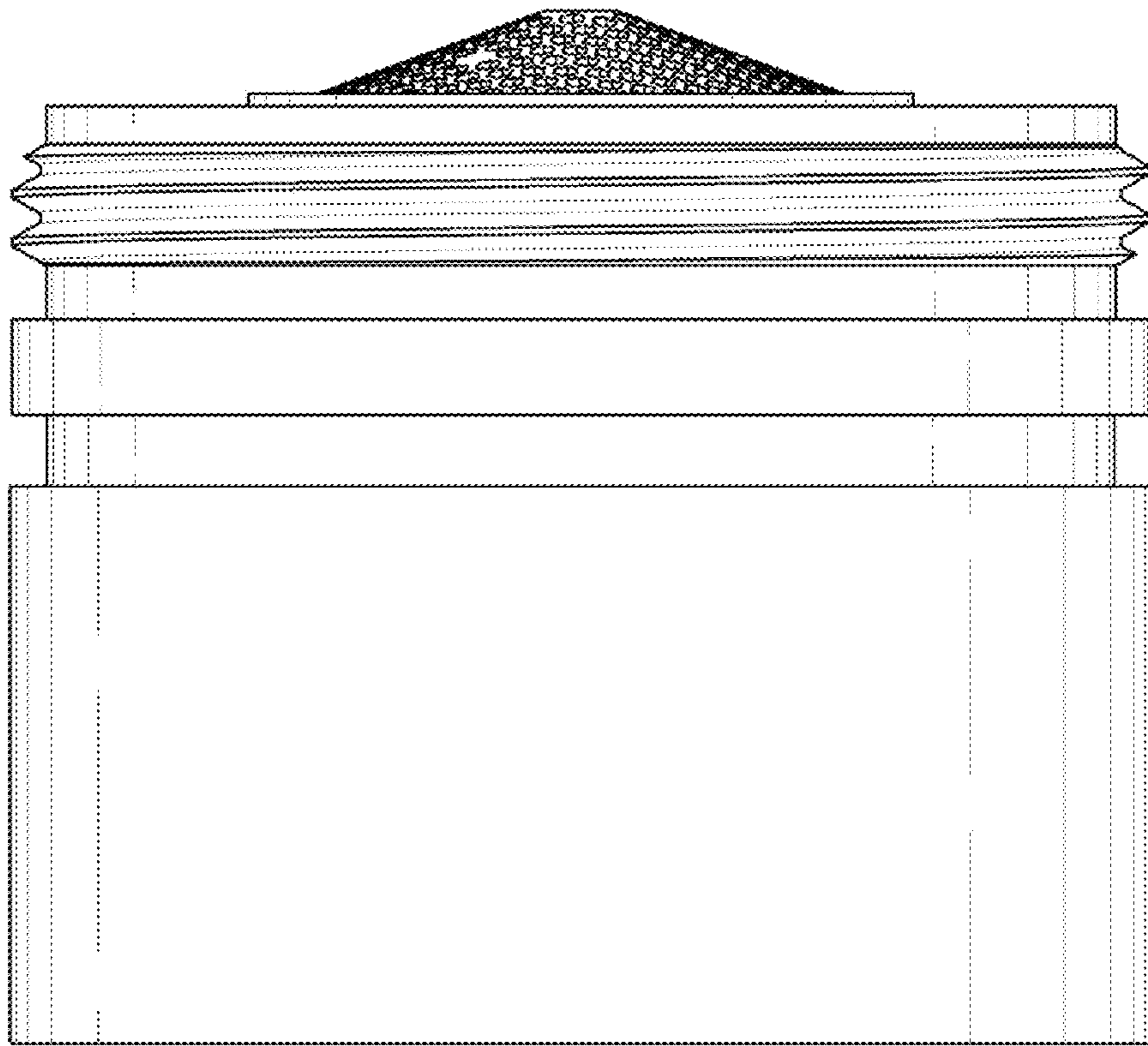


Fig. 15

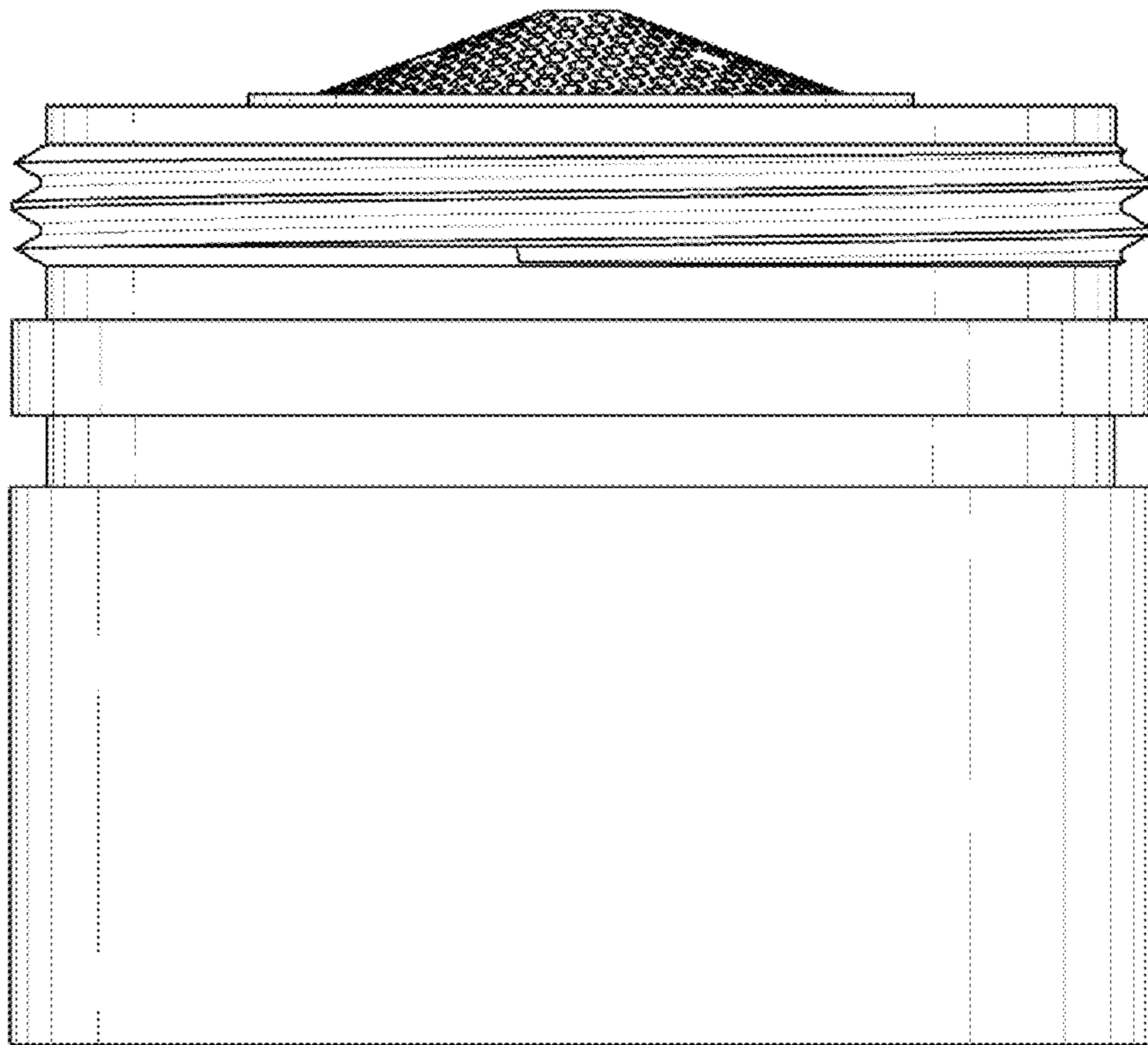


Fig. 16