



US00D964513S

(12) **United States Design Patent** (10) **Patent No.:** **US D964,513 S**
Li (45) **Date of Patent:** **** Sep. 20, 2022**

(54) **WATERING POT**

(71) Applicant: **Xiaoou Li**, Beijing (CN)

(72) Inventor: **Xiaoou Li**, Beijing (CN)

(**) Term: **15 Years**

(21) Appl. No.: **29/800,214**

(22) Filed: **Jul. 20, 2021**

(51) **LOC (13) Cl.** **08-05**

(52) **U.S. Cl.**
USPC **D23/212**

(58) **Field of Classification Search**
USPC D23/212, 213, 214, 215, 223, 224, 226,
D23/229, 230
CPC .. B05B 1/00; B05B 1/14; B05B 1/185; B05B
1/08; B05B 1/26; B05B 1/18; B05B
11/00; A01G 25/00; A01G 25/14; A01G
25/145

See application file for complete search history.

(56) **References Cited**

U.S. PATENT DOCUMENTS

D169,700 S *	5/1953	Rowe	D23/212
D239,713 S *	4/1976	Solomon	D7/321
D266,690 S *	10/1982	Levin	D23/212
D272,457 S *	1/1984	Clanton	D21/532
D279,310 S *	6/1985	Murphy	D23/212
D295,547 S *	5/1988	Cunning	D23/212
4,787,560 A *	11/1988	DeYoreo	B05B 9/0816 239/374
D320,431 S *	10/1991	Mattei	D23/212
D325,768 S *	4/1992	Hankammer	D23/212
D375,139 S *	10/1996	Thorp	D23/212
D486,553 S *	2/2004	Tremblay	D23/212
D718,974 S *	12/2014	De'Longhi	D7/321
D874,206 S *	2/2020	Shir	D7/312
D916,239 S	4/2021	Li		
2003/0066849 A1 *	4/2003	Mason	A01G 25/14 222/572

(Continued)

FOREIGN PATENT DOCUMENTS

CN	201630124575	*	4/2016
CN	201830164510	*	4/2018
CN	202130488526.X	*	7/2021

(Continued)

OTHER PUBLICATIONS

Amazon, WhaleLife Watering Cans, posted Jun. 28, 2021, [online], [visited Mar. 31, 2022]. Internet, <URL: https://www.amazon.com/WhaleLife-Watering-Outdoor-Plastic-Detachable/dp/B0983QRTST/ref> (Year: 2021).*

(Continued)

Primary Examiner — Samantha Wood

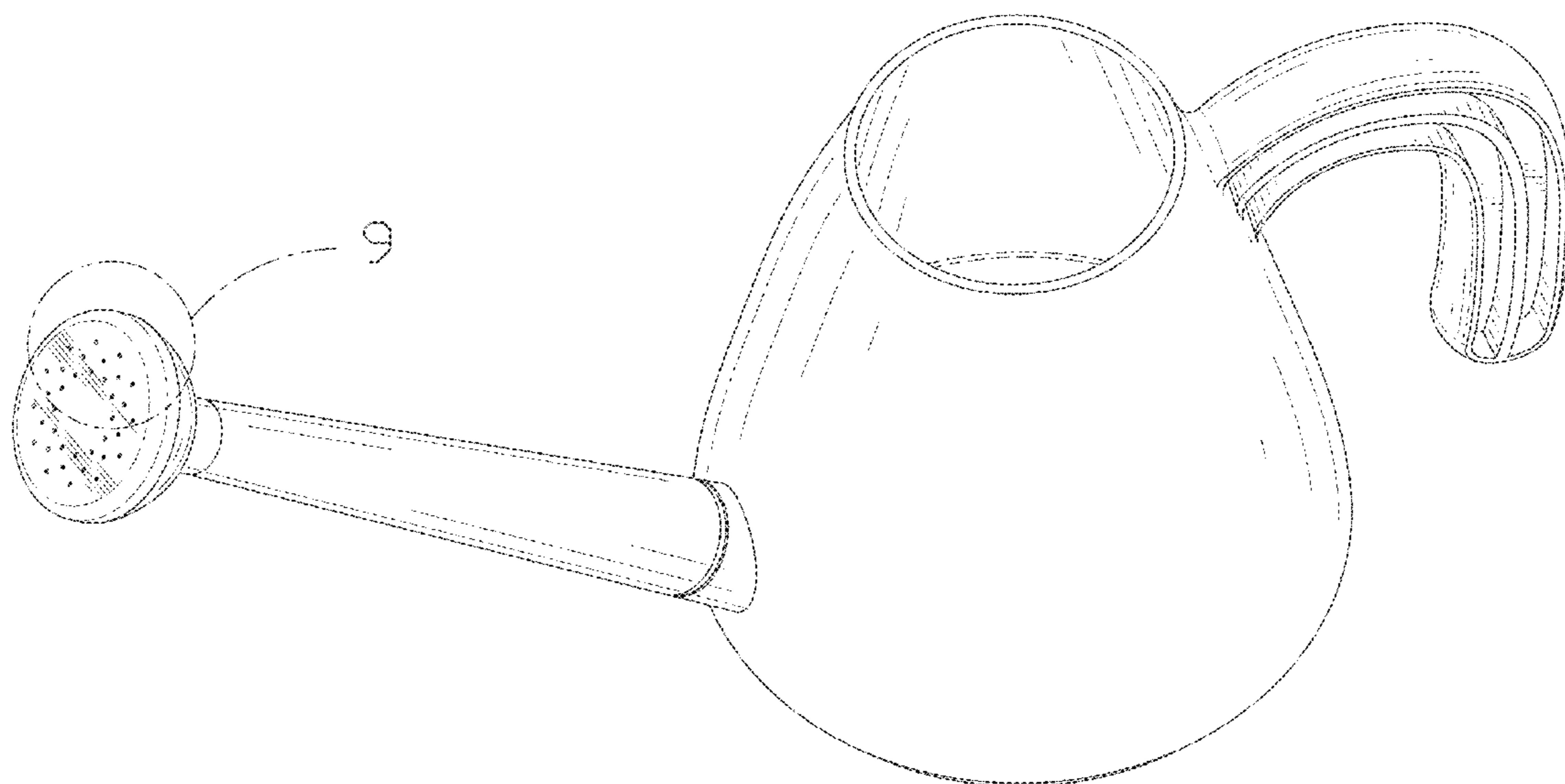
(57) **CLAIM**

The ornamental design for a watering pot, as shown and described.

DESCRIPTION

FIG. 1 is a front and top perspective view of a watering pot, showing my new design;
FIG. 2 is a rear and bottom perspective view thereof;
FIG. 3 is a front elevation view thereof;
FIG. 4 is a rear elevation view thereof;
FIG. 5 is a left side elevation view thereof;
FIG. 6 is a right side elevation view thereof;
FIG. 7 is a top plan view thereof;
FIG. 8 is a bottom plan view thereof;
FIG. 9 is an enlarged view of a portion labeled, "9" in FIG. 1; and,
FIG. 10 is an exploded view thereof.
The broken lines in the figures illustrate portions of the watering pot that form no part of the claimed design. The dash dot dash lines in FIGS. 1 and 9 are for the purpose of depicting the cut line of the enlarged view and form no part of the claim.

1 Claim, 10 Drawing Sheets



(56)

References Cited

U.S. PATENT DOCUMENTS

2003/0102336 A1* 6/2003 Mason A01G 25/14
222/478

FOREIGN PATENT DOCUMENTS

DE 29800731 U1 * 4/1998 A01G 25/14
FR 640460 A * 7/1928
FR 2290221 A1 * 6/1976
GB 664293 A * 1/1952
GB 2041681 * 9/1994
GB 2041682 * 9/1994

OTHER PUBLICATIONS

Amazon, UPKOCH Long Spout Watering Can, posted Apr. 2, 2021, [online], [visited Mar. 31, 2022]. Internet, <URL: <https://www.amazon.in/UPKOCH-Watering-Kettle-Outdoor-Sky-Blue/dp/B091PQX8RD>> (Year: 2021).*

Amazon, HB Design Co. Indoor Watering Can with Long Spout, posted Jul. 28, 2021, [online], [visited Mar. 31, 2022]. Internet, <URL: <https://www.amazon.com/Indoor-Watering-Can-Long-Spout/dp/B09BCX6MXJ/ref>> (Year: 2021).*

Amazon, fhkwh Watering Can Home Gardening, posted Mar. 16, 2022, [online], [visited Mar. 31, 2022]. Internet, <URL: <https://www.amazon.co.uk/fhkwh-Watering-Gardening-Outdoor-Office/dp/B09WD7F9YM/ref>> (Year: 2022).*

* cited by examiner

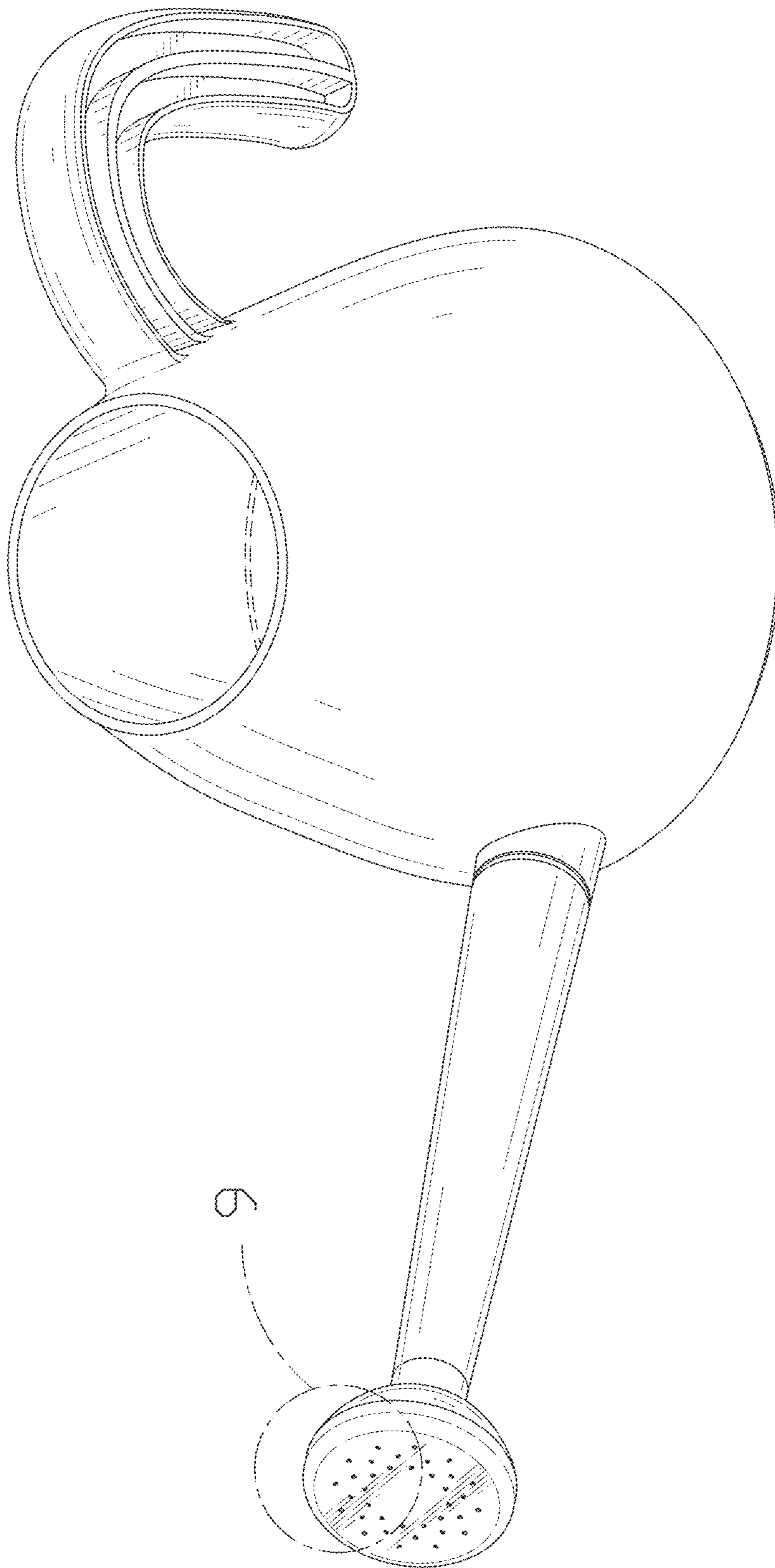


FIG. 1

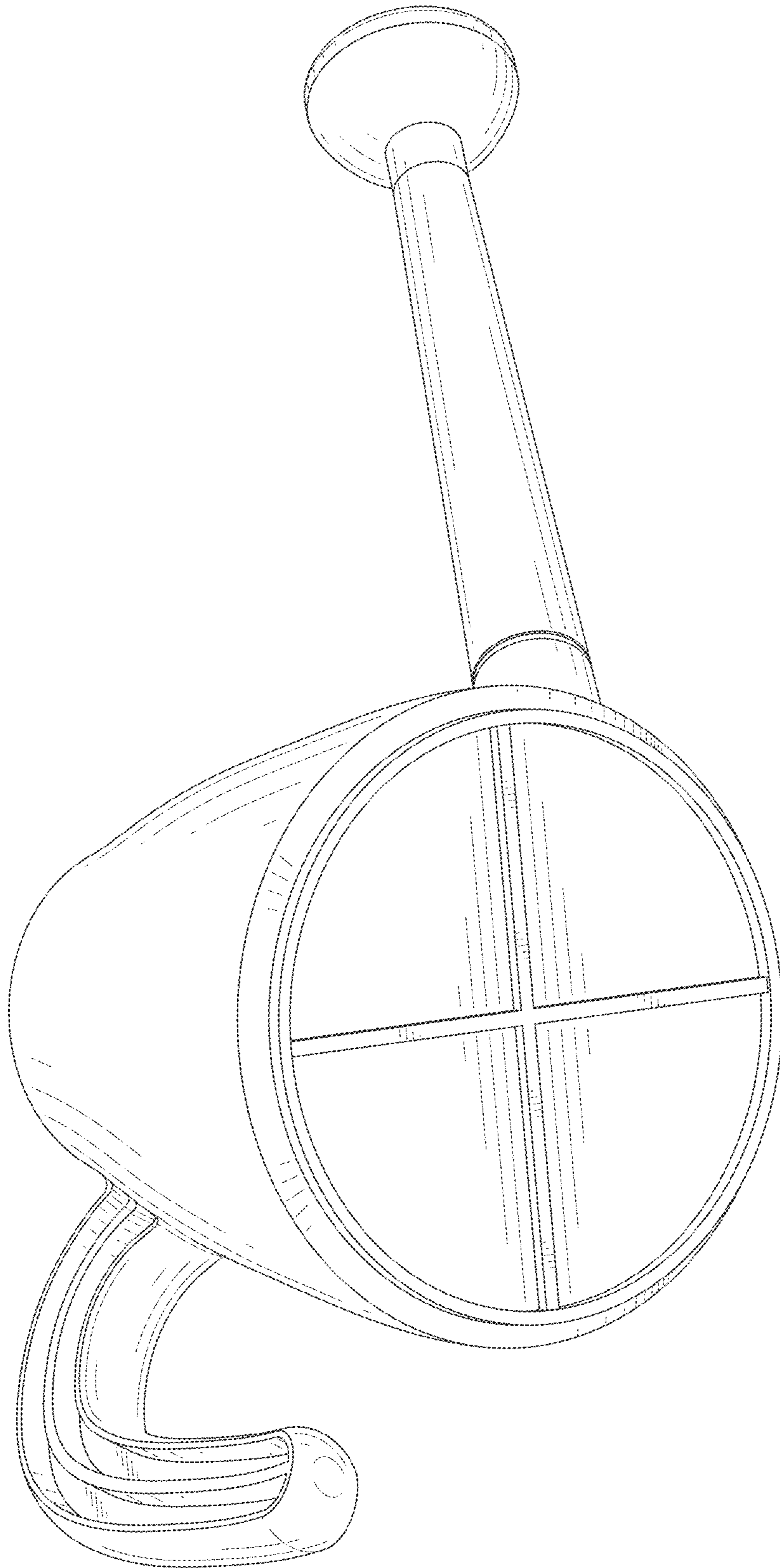


FIG. 2

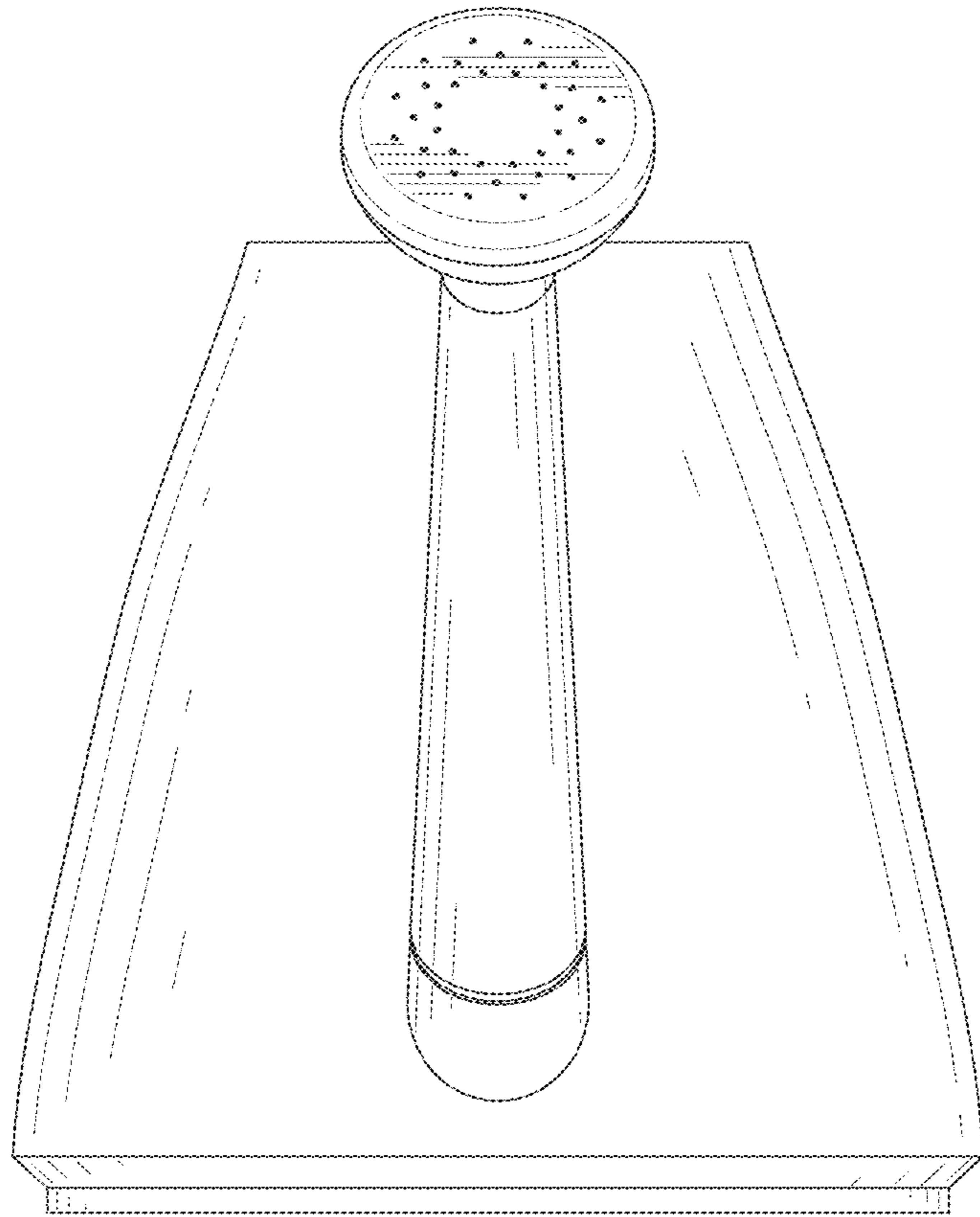


FIG. 3

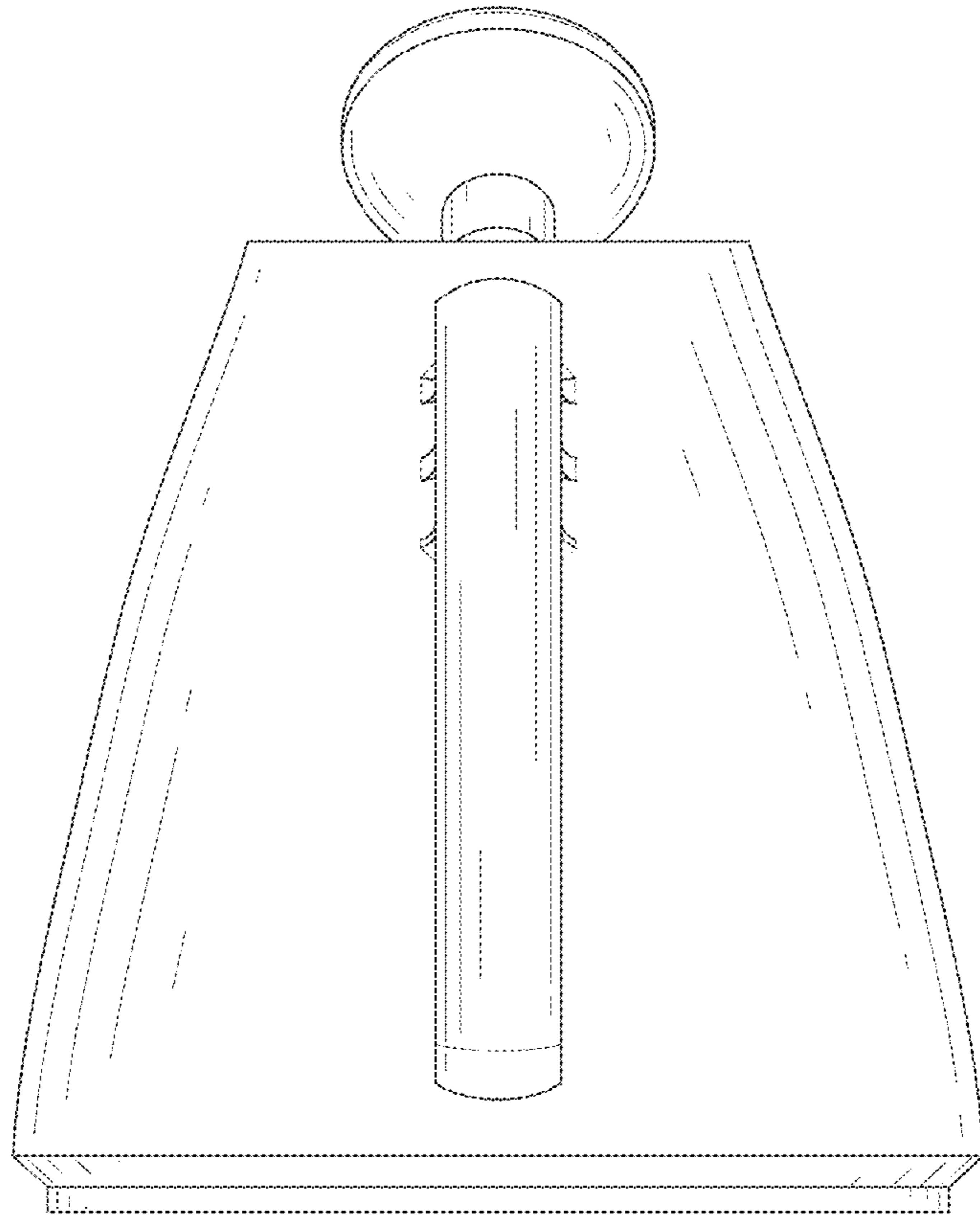


FIG. 4

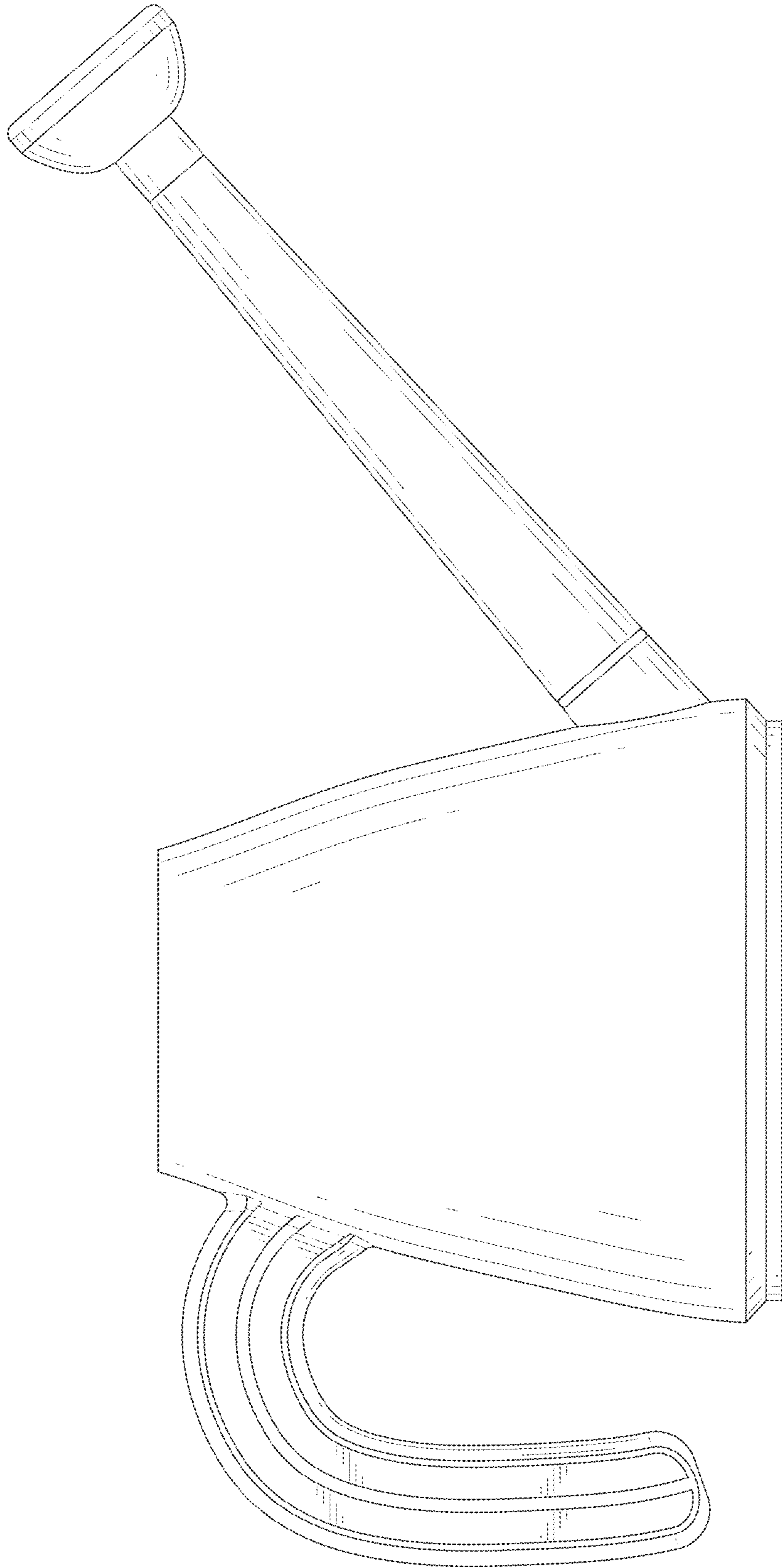


FIG. 5

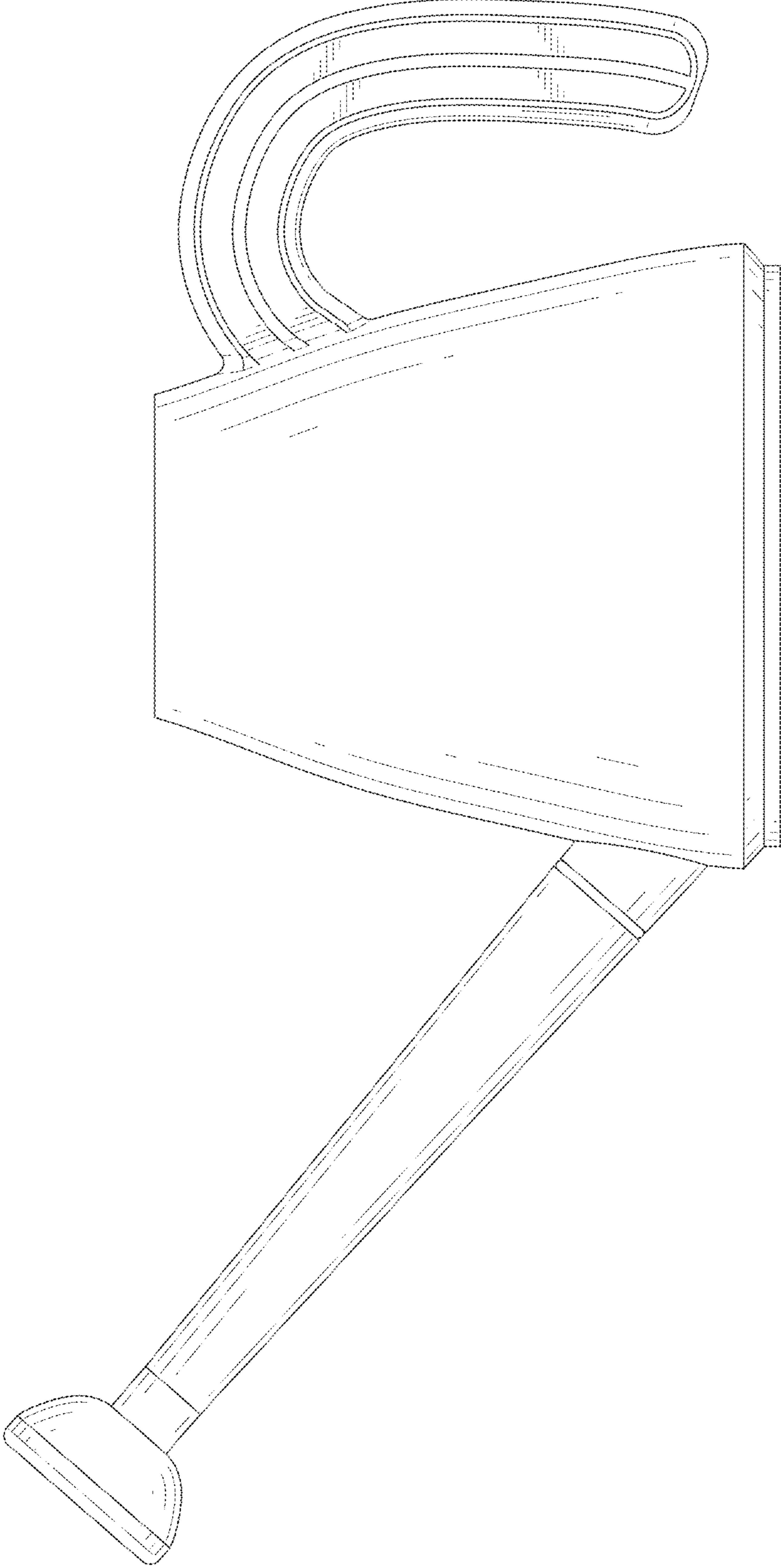


FIG. 6

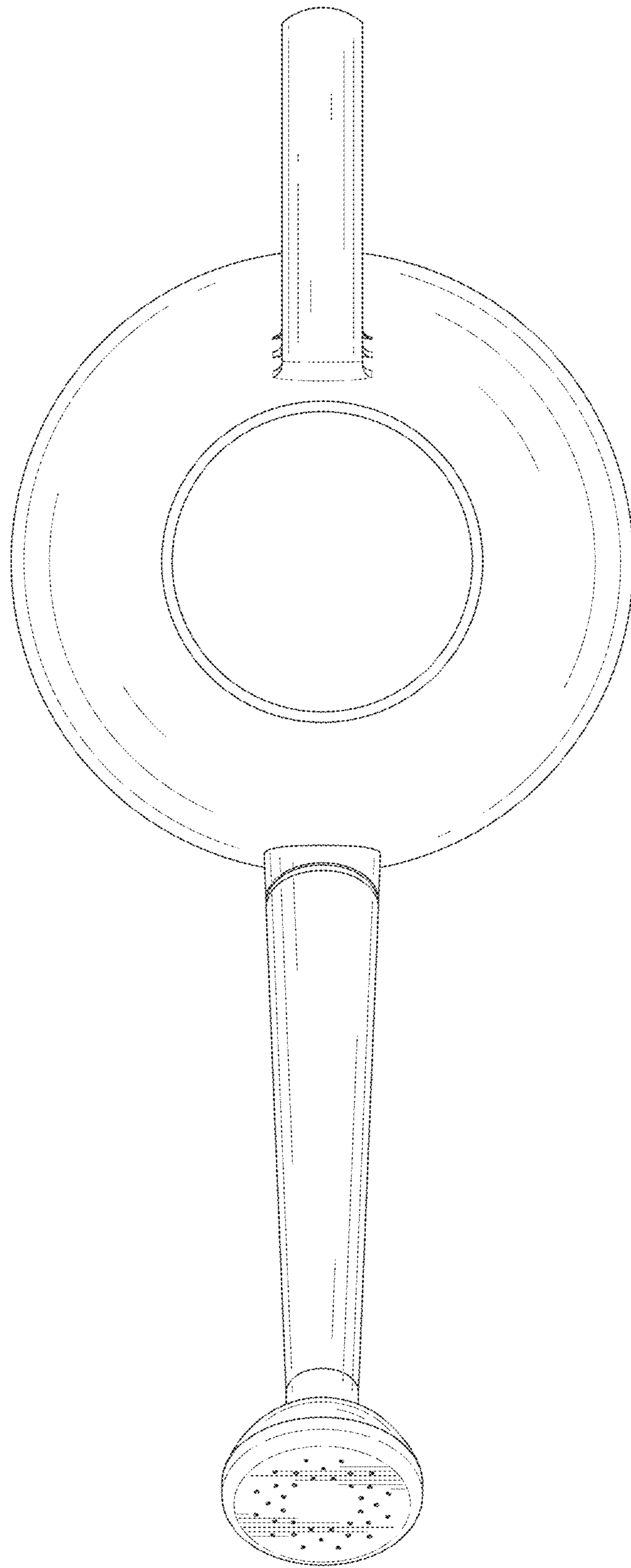


FIG. 7

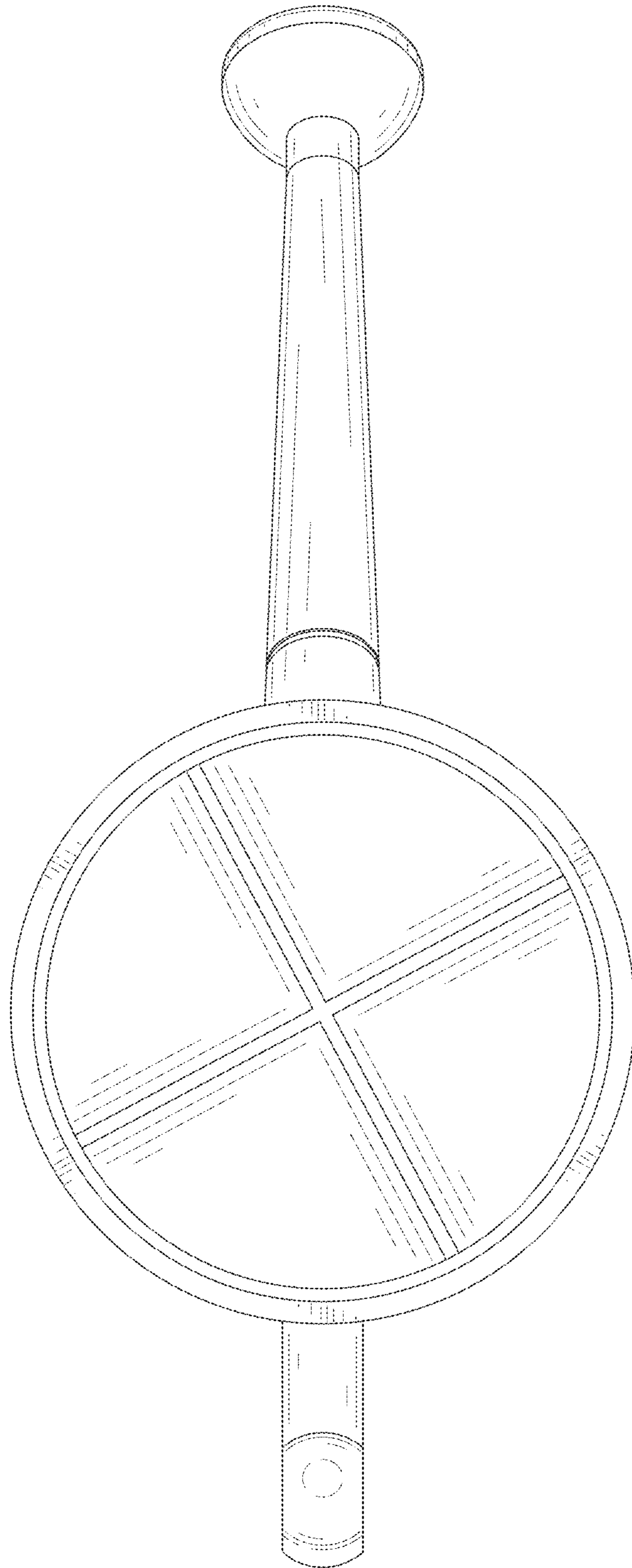


FIG. 8

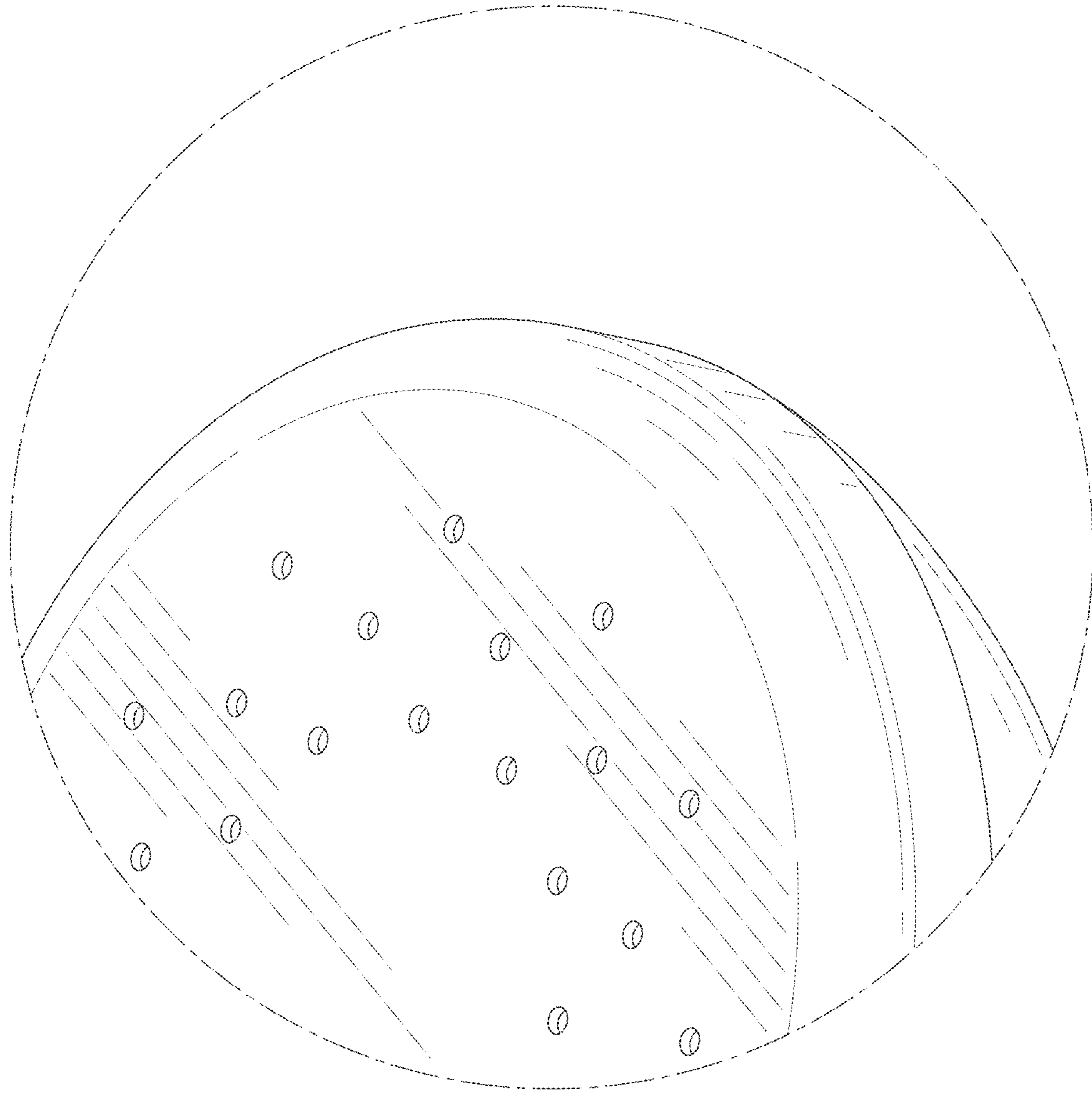


FIG. 9

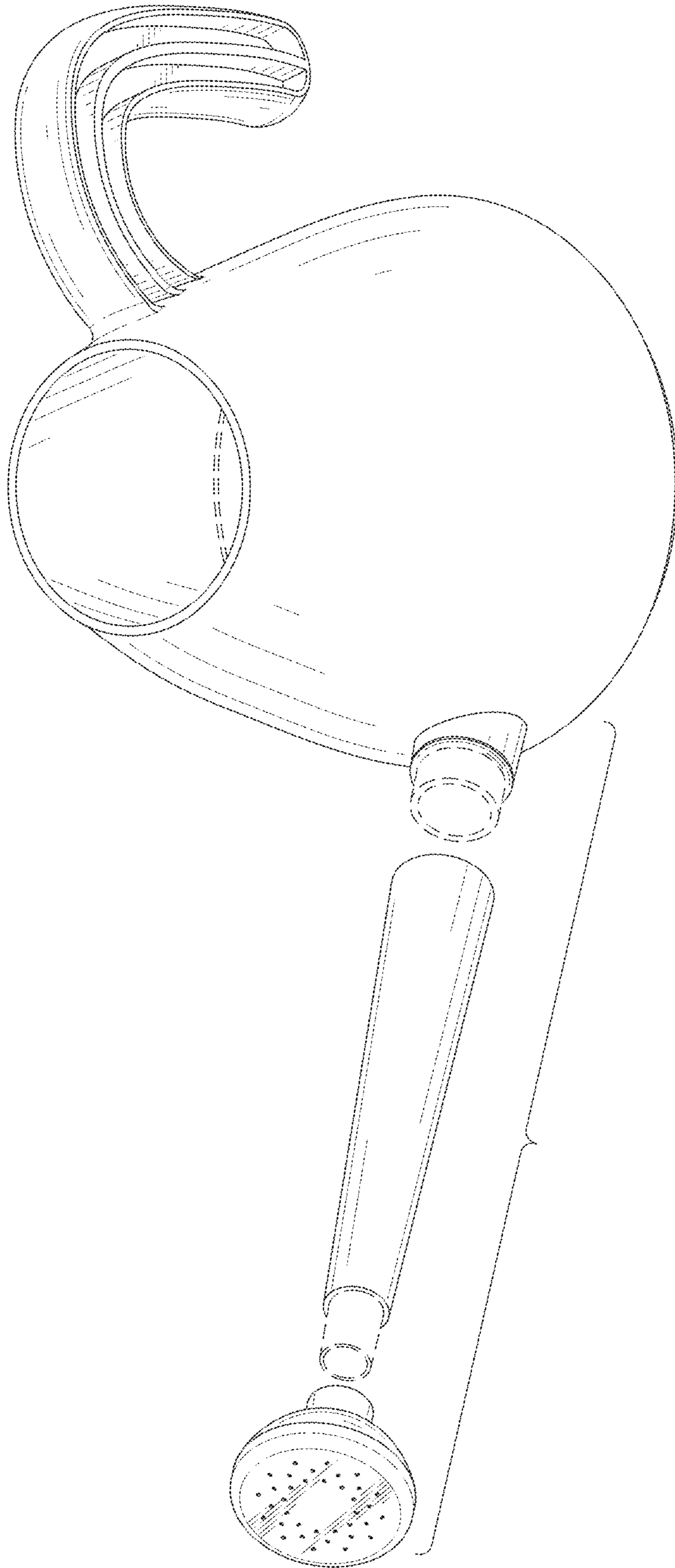


FIG. 10