



US00D964512S

(12) **United States Design Patent** (10) **Patent No.:** **US D964,512 S**  
**Farley** (45) **Date of Patent:** **\*\* Sep. 20, 2022**

(54) **SHOWER HEAD**

(71) Applicant: **Sprite Industries, Inc.**, Corona, CA (US)

(72) Inventor: **David K. Farley**, Corona, CA (US)

(\*\*) Term: **15 Years**

(21) Appl. No.: **29/769,903**

(22) Filed: **Feb. 8, 2021**

(51) **LOC (13) Cl.** ..... **23-01**

(52) **U.S. Cl.**  
USPC ..... **D23/209**

(58) **Field of Classification Search**

USPC ..... D23/207–209, 213, 214, 215, 222, 223,  
D23/224, 226, 229, 230  
CPC ..... A61H 9/0021; A61H 33/00; B05B 1/00;  
B05B 1/14; B05B 1/185; B05B 1/08;  
B05B 1/02; B05B 1/26; B05B 12/002;  
B05B 1/18; B05B 9/01; B01D 35/04;  
B01D 35/30; C02F 1/003

See application file for complete search history.

(56) **References Cited**

**U.S. PATENT DOCUMENTS**

D361,622 S \* 8/1995 Farley ..... D23/209  
D364,446 S \* 11/1995 Farley ..... D23/209  
5,503,742 A \* 4/1996 Farley ..... B01D 29/01  
210/450  
D406,874 S \* 3/1999 Farley ..... D23/209  
D416,072 S \* 11/1999 Douglas ..... D23/209  
D438,593 S \* 3/2001 Jang ..... D23/209  
D441,048 S \* 4/2001 Archer ..... D23/209  
D462,108 S \* 8/2002 Farley ..... D23/209  
D717,397 S \* 11/2014 Hammarback ..... D23/209  
D790,660 S \* 6/2017 Zhadanov ..... D23/209  
D841,776 S \* 2/2019 Smith ..... D23/209  
D852,320 S \* 6/2019 Farley ..... D23/209  
D857,838 S \* 8/2019 Pitman ..... D23/209

D897,492 S \* 9/2020 Pitman ..... D23/209  
D926,920 S \* 8/2021 Huang ..... D23/209  
D930,111 S \* 9/2021 Pitman ..... D23/209  
D933,157 S \* 10/2021 Reinecker ..... D23/209  
2019/0160401 A1\* 5/2019 Farley ..... B01D 35/04  
2020/0270146 A1\* 8/2020 Farley ..... B05B 1/18  
2021/0380447 A1\* 12/2021 Song ..... B01J 20/165

**OTHER PUBLICATIONS**

Brondell VivaSpring Compact Shower Filter, Apr. 30, 2020, amazon.ca, May 18, 2022, URL: <https://www.amazon.ca/Brondell-VivaSpring-Compact-Shower-Polished/dp/B0875WX3PB/> (Year: 2020).\*  
15-Stage Shower Filter—Shower Head Filter, Dec. 16, 2016, amazon.ca, May 18, 2022, URL: <https://www.amazon.ca/dp/B01M08G9D5/> (Year: 2016).\*

(Continued)

*Primary Examiner* — Keith J Wilson  
(74) *Attorney, Agent, or Firm* — Stetina Brunda Garred & Brucker

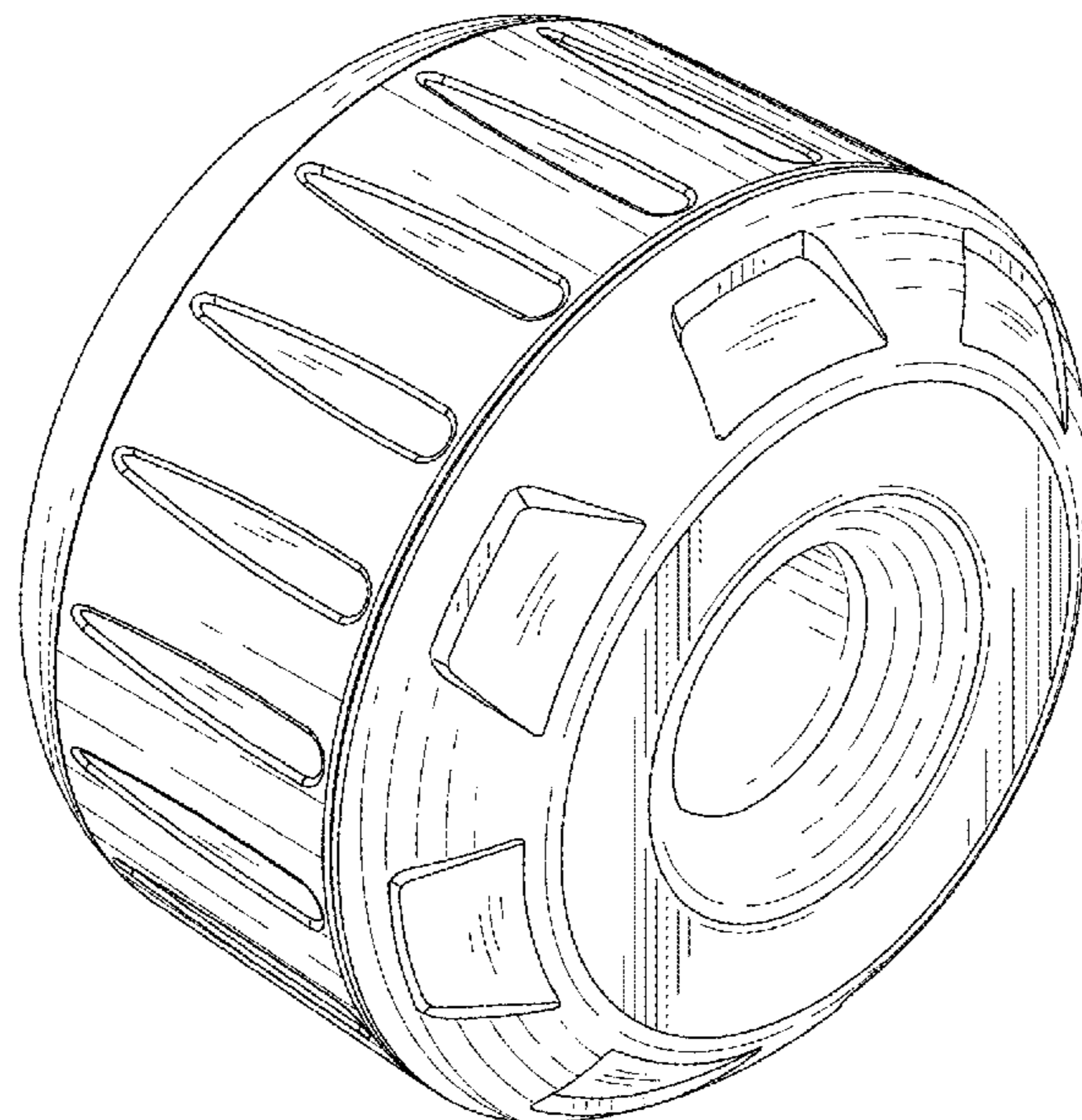
(57) **CLAIM**

The ornamental design for a shower head, as shown and described.

**DESCRIPTION**

FIG. 1 is a bottom perspective view of the shower head of the present invention showing my new design;  
FIG. 2 is a top perspective view thereof;  
FIG. 3 is a front side elevational view thereof;  
FIG. 4 is bottom plan view thereof;  
FIG. 5 is a right-side elevational view thereof;  
FIG. 6 is a left-side elevational view thereof;  
FIG. 7 is top plan view thereof; and,  
FIG. 8 is a rear side elevational view thereof.  
The broken lines shown in the drawing depict portions of a shower head that form no part of the claimed design.

**1 Claim, 4 Drawing Sheets**



(56)

**References Cited**

OTHER PUBLICATIONS

Sprite SL2-CM Slim-Line 2 Universal Shower Filter, May 28, 2004, amazon.ca, May 18, 2022, URL: <https://www.amazon.com/Sprite-SL2-CM-Universal-Slim-Line2-Shower/dp/B00154Z61I/> (Year: 2004).\*

\* cited by examiner

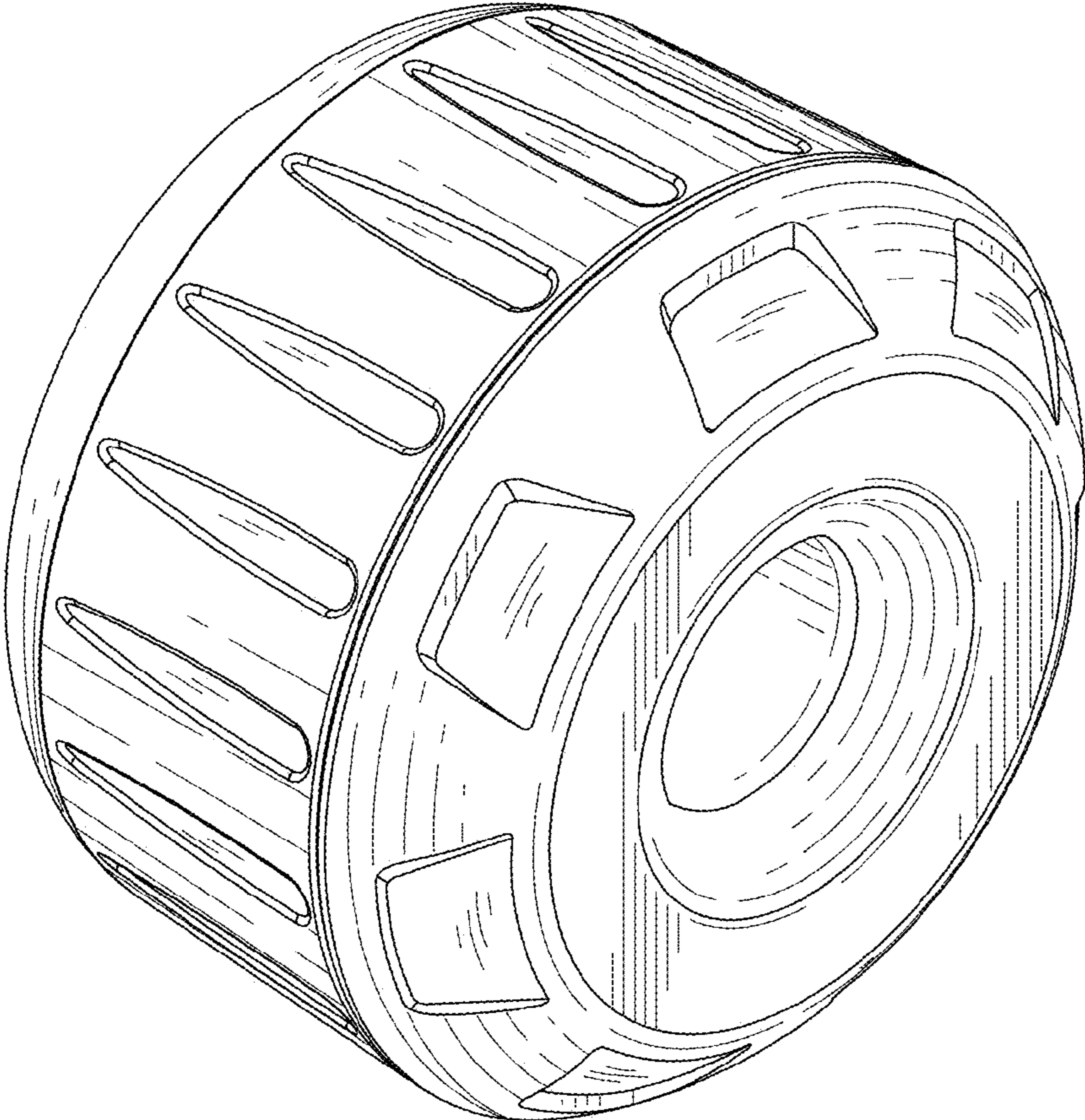


FIG. 1

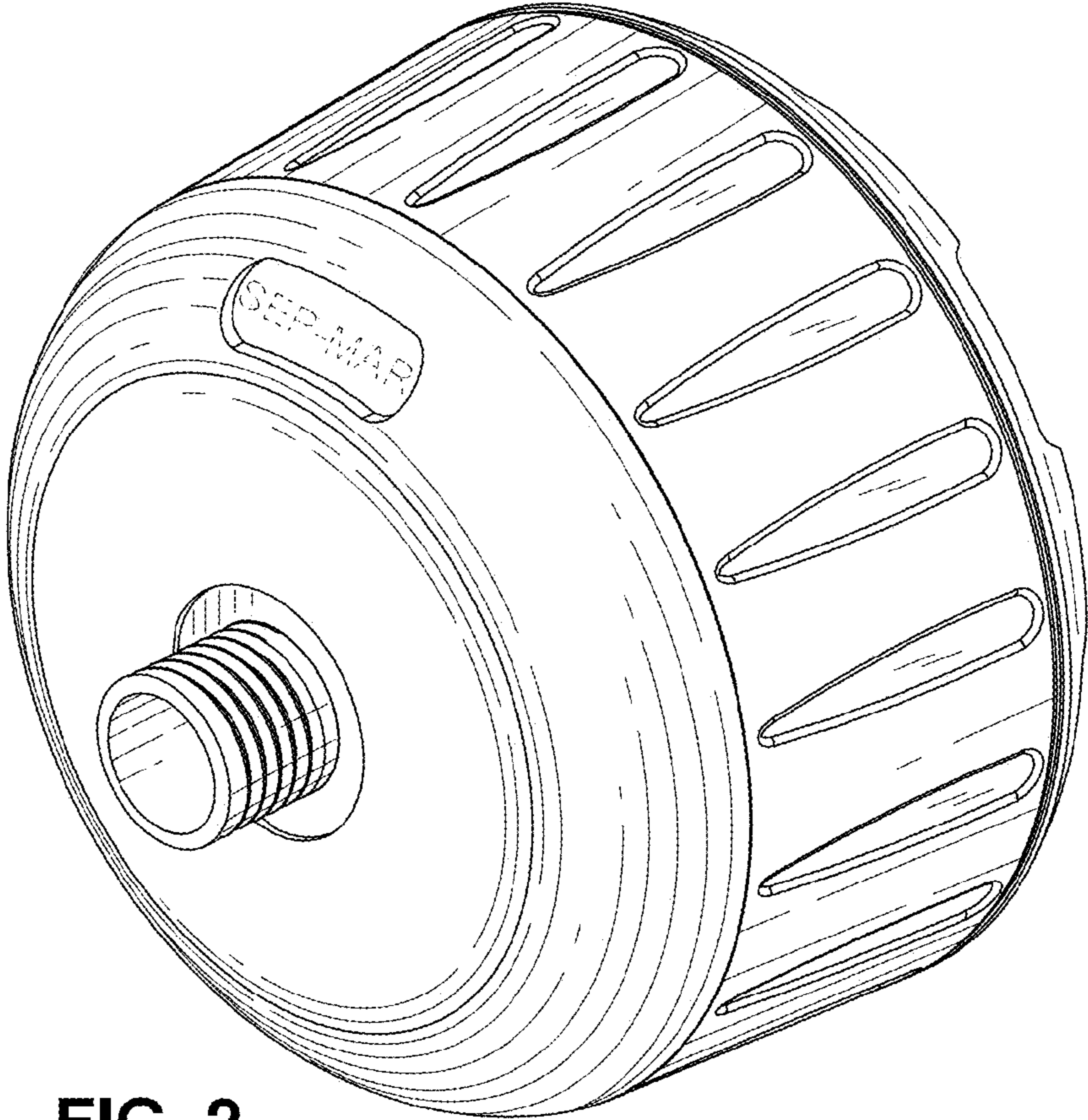


FIG. 2

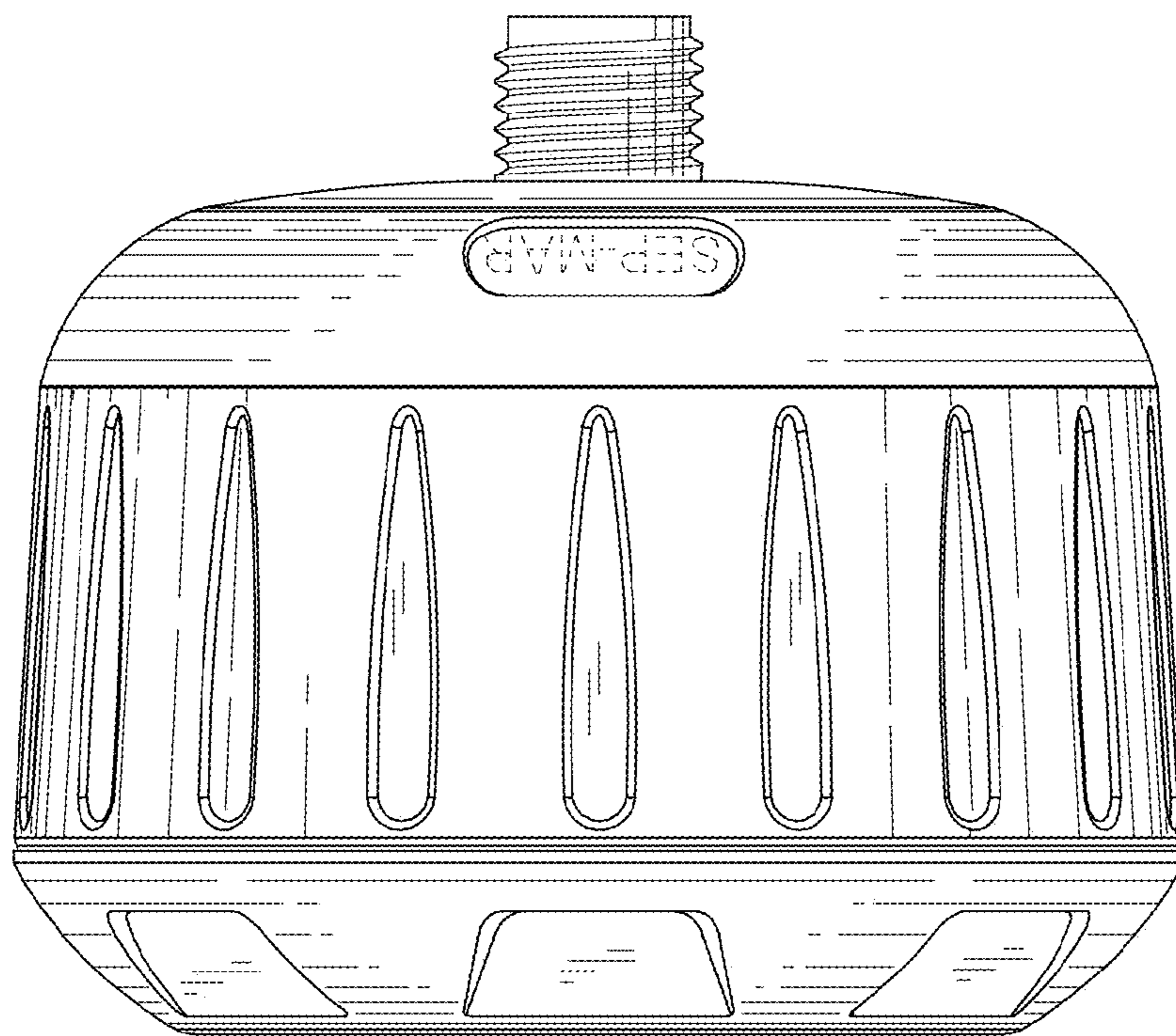


FIG. 3

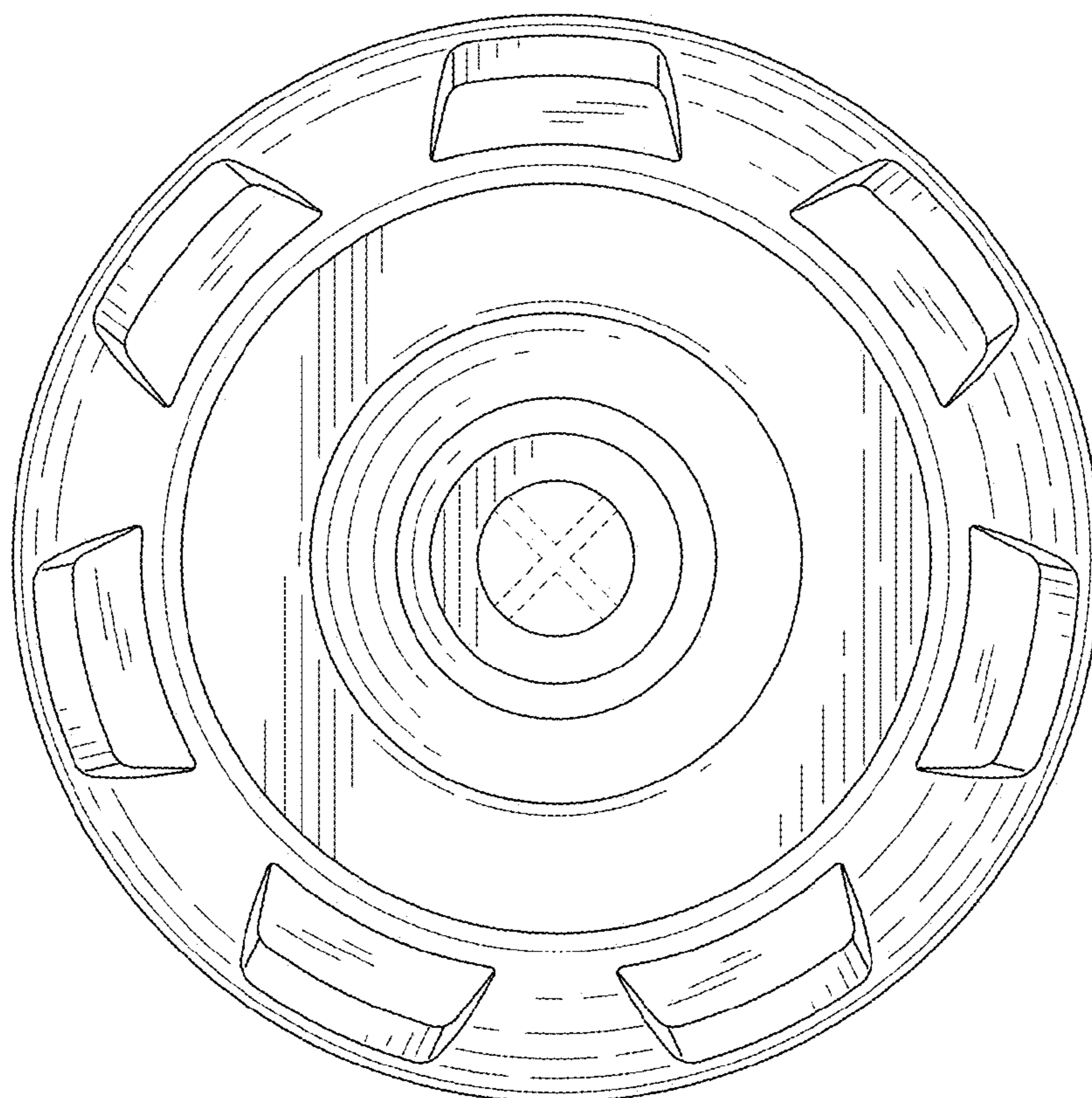
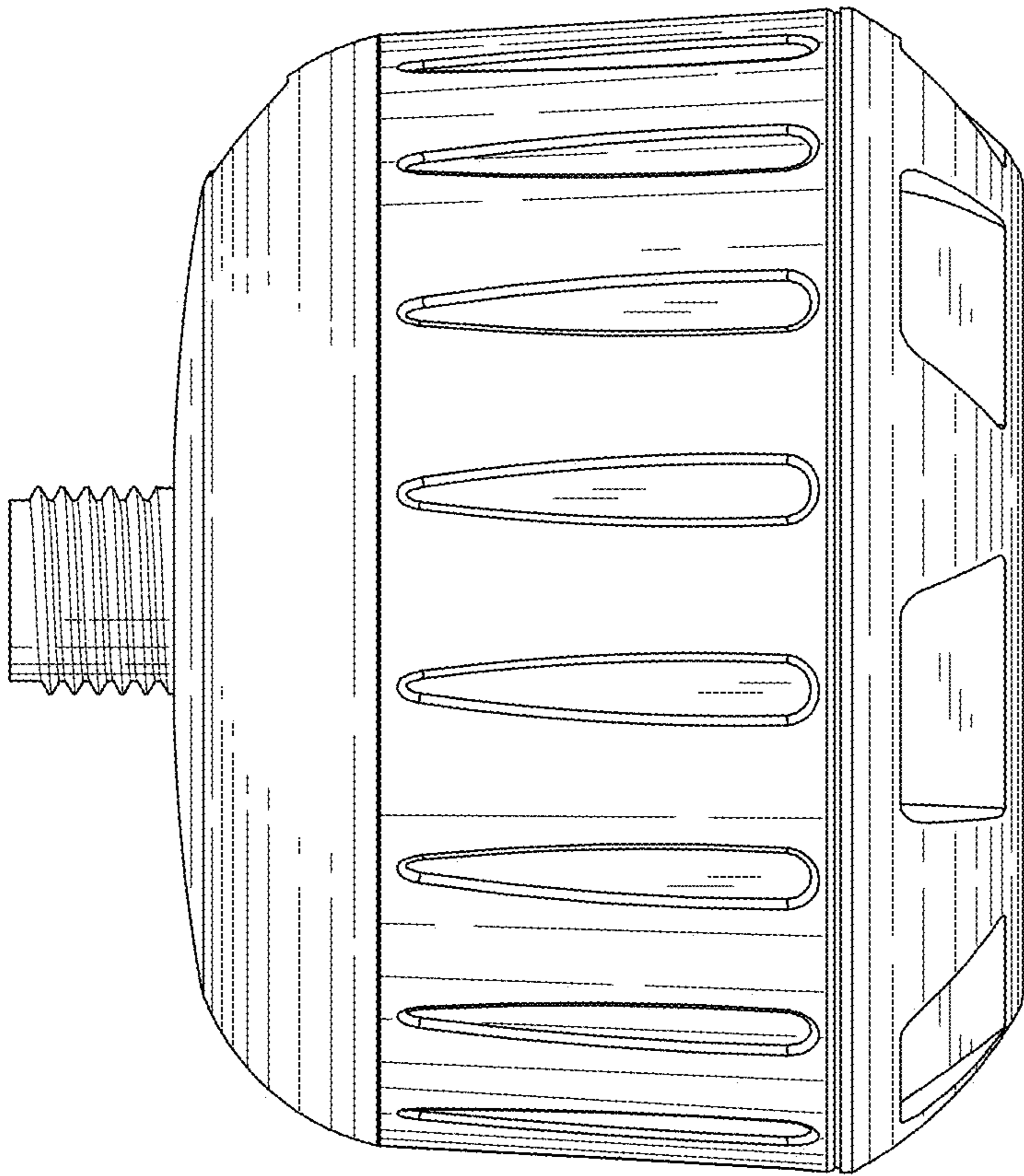
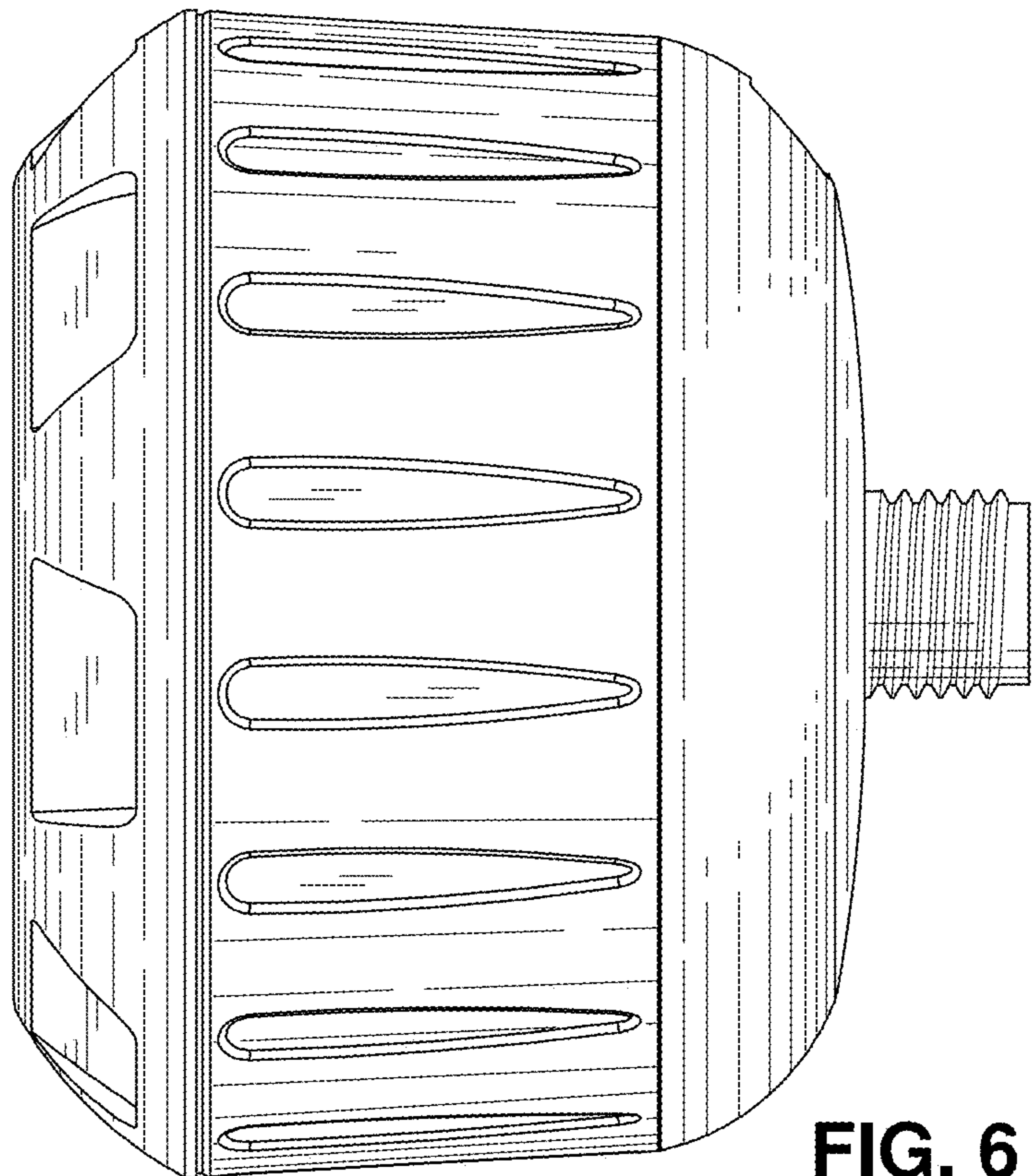


FIG. 4



**FIG. 5**



**FIG. 6**

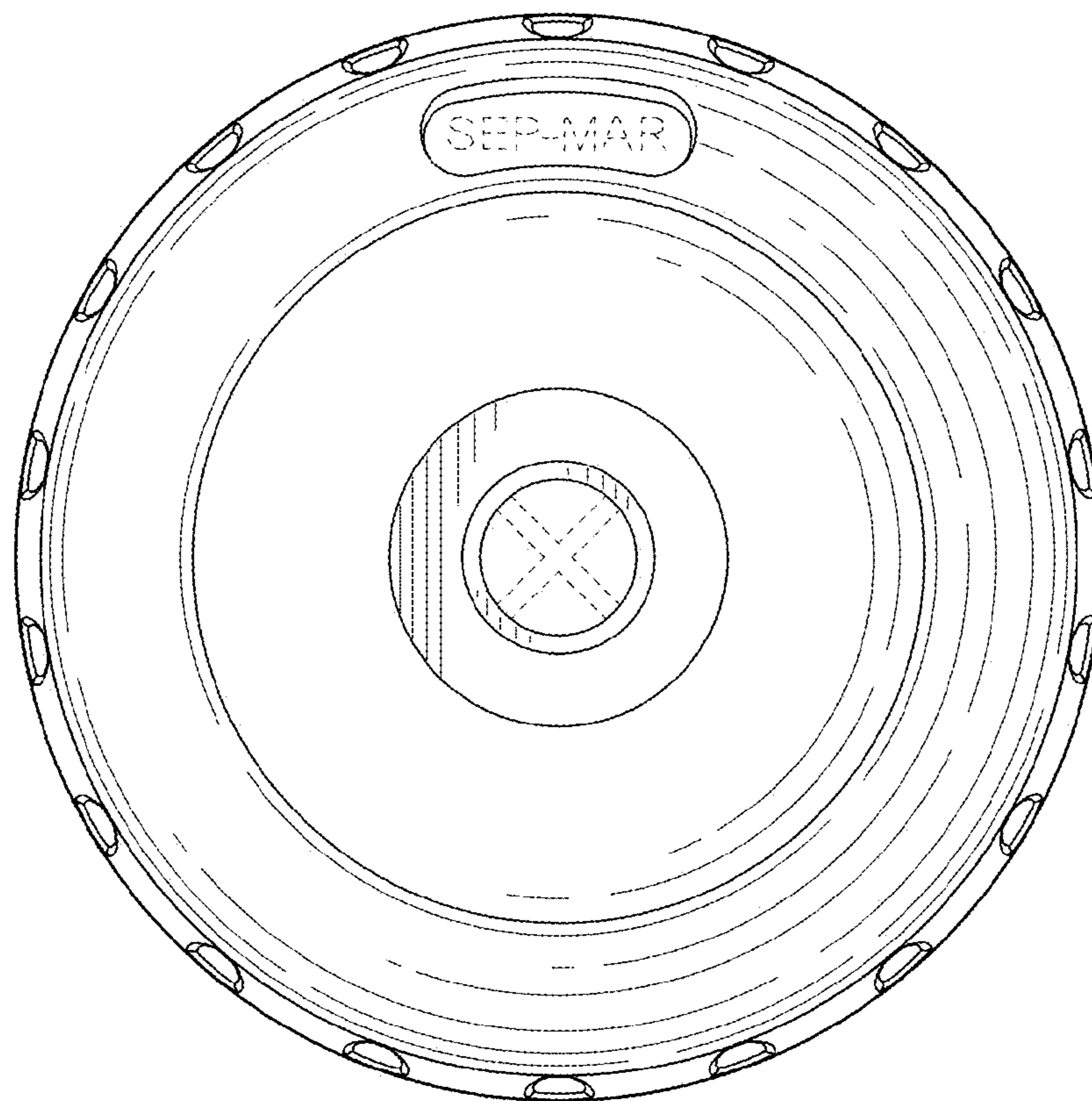


FIG. 7

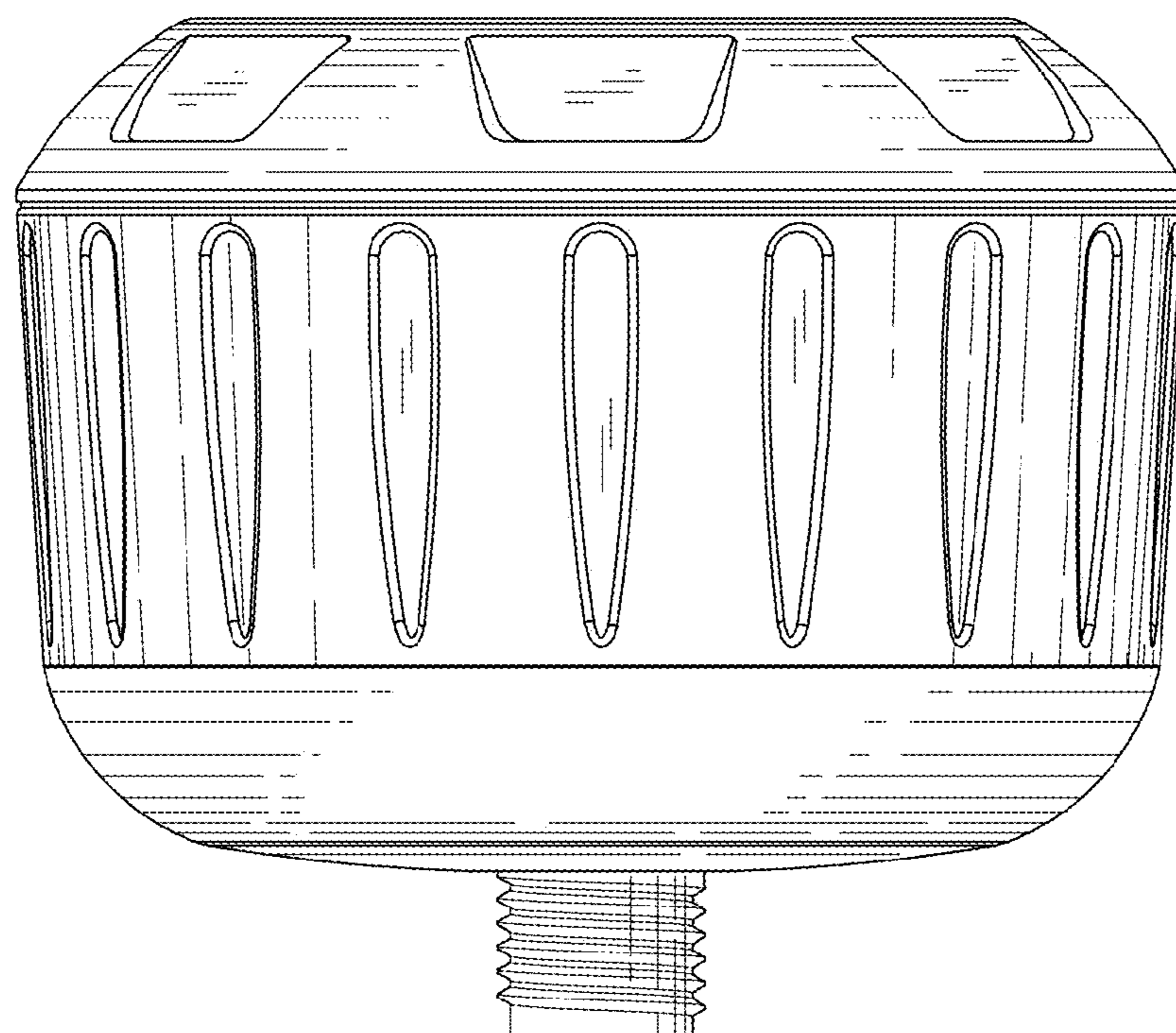


FIG. 8