



US00D964511S

(12) **United States Design Patent**
Kim et al.

(10) **Patent No.:** **US D964,511 S**

(45) **Date of Patent:** **** Sep. 20, 2022**

(54) **REFRIGERATOR FILTER**

(71) Applicant: **LG ELECTRONICS INC., Seoul (KR)**

(72) Inventors: **Youngjae Kim, Seoul (KR); Gyeonghwan Kweon, Seoul (KR)**

(73) Assignee: **LG ELECTRONICS INC., Seoul (KR)**

(**) Term: **15 Years**

(21) Appl. No.: **29/741,540**

(22) Filed: **Jul. 14, 2020**

(30) **Foreign Application Priority Data**

Jan. 16, 2020 (KR) 30-2020-0002187

(51) **LOC (13) Cl.** **23-01**

(52) **U.S. Cl.**
USPC **D23/209**

(58) **Field of Classification Search**
USPC D23/207, 209, 210, 355, 363, 365
CPC B01D 27/00; B01D 29/00; B01D 29/0095;
B01D 35/0276; B01D 35/30; B01D
35/34; B01D 2201/29; B01D 2201/305;
B01D 2221/02; C02F 1/003; C02F
2307/10

See application file for complete search history.

(56) **References Cited**

U.S. PATENT DOCUMENTS

D356,625 S * 3/1995 Petrucci D23/209
D679,779 S * 4/2013 Reid D23/209
D820,948 S * 6/2018 An D23/209
D831,786 S * 10/2018 Zou D23/209
D831,788 S * 10/2018 Zou D23/209
10,188,972 B2 * 1/2019 You B01D 35/306
D854,122 S * 7/2019 An D23/209
D856,472 S * 8/2019 Zou D23/209

D857,157 S * 8/2019 Zou D23/209
D857,158 S * 8/2019 Zou D23/209
D857,840 S * 8/2019 Lu D23/209
D865,119 S * 10/2019 An D23/209
10,583,380 B2 * 3/2020 You B01D 35/30
D894,329 S * 8/2020 Qiang D23/209
D913,416 S * 3/2021 Qiang D23/209
D917,662 S * 4/2021 Lu D23/209
2007/0221556 A1 * 9/2007 Chung C02F 1/003
210/198.1
2009/0014381 A1 * 1/2009 South B01D 29/58
210/418
2013/0068672 A1 * 3/2013 Kruckenberg C02F 9/005
210/232

(Continued)

OTHER PUBLICATIONS

LG French Door Refrigerator—Installing the Upper Interior Water Filter, Jul. 24, 2018, YouTube, site visited Jan. 27, 2022: https://www.youtube.com/watch?v=Hln_WmobOCc (Year: 2018).*

(Continued)

Primary Examiner — Jack Reickel
Assistant Examiner — Bobby W Jones, II
(74) *Attorney, Agent, or Firm* — Birch, Stewart, Kolasch & Birch, LLP

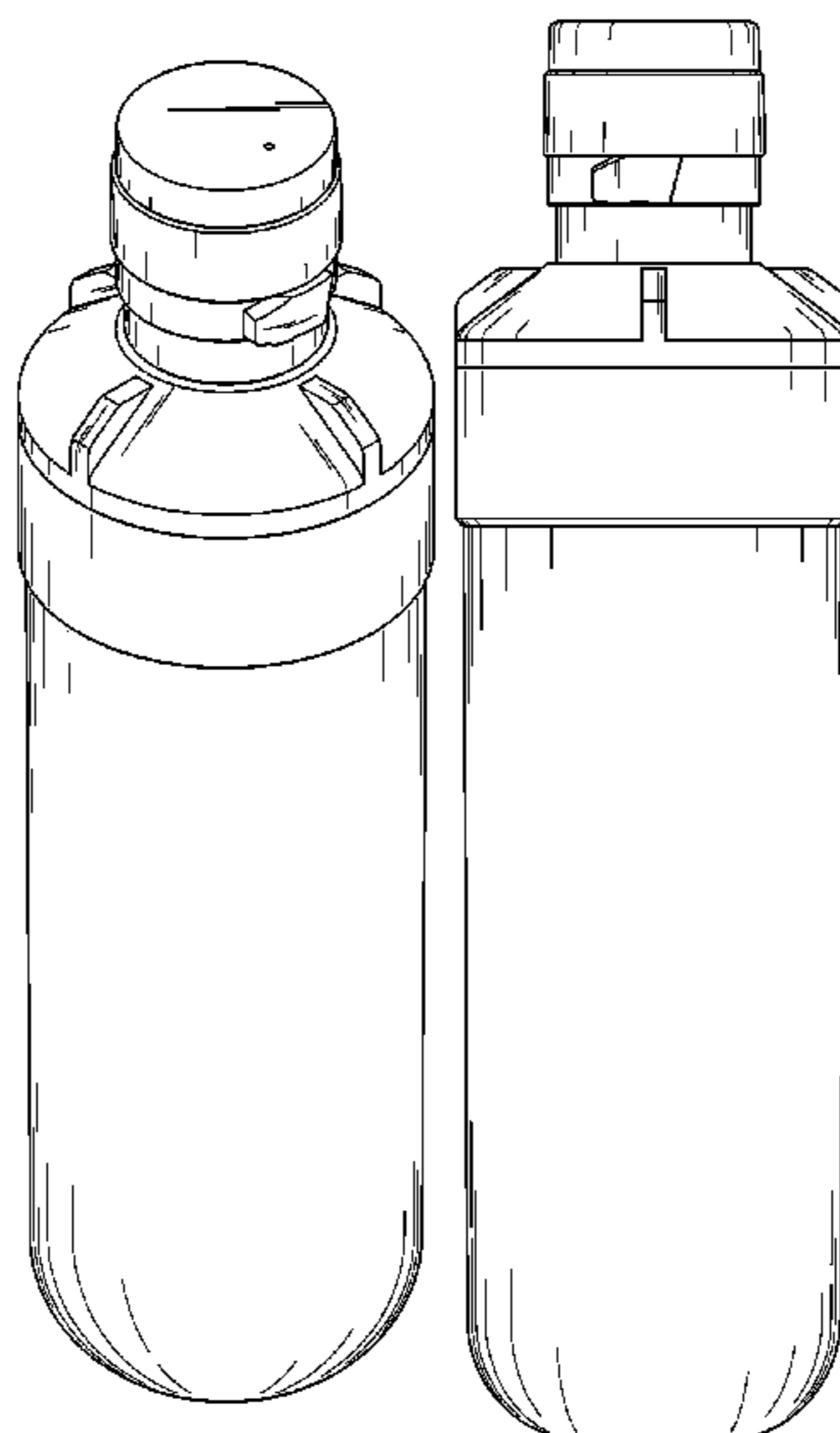
(57) **CLAIM**

We claim the ornamental design for a refrigerator filter, as shown and described.

DESCRIPTION

FIG. 1 is a perspective view of a refrigerator filter showing the new design;
FIG. 2 is a front elevation view thereof;
FIG. 3 is a rear elevation view thereof;
FIG. 4 is a left-side elevation view thereof;
FIG. 5 is a right-side elevation view thereof;
FIG. 6 is a top plan view thereof; and,
FIG. 7 is a bottom plan view thereof.

1 Claim, 7 Drawing Sheets



(56)

References Cited

U.S. PATENT DOCUMENTS

2014/0131265 A1* 5/2014 Patera B01D 29/56
210/201
2014/0367321 A1* 12/2014 Lee B01D 35/306
210/232
2017/0282105 A1* 10/2017 You F25D 23/12
2017/0350641 A1* 12/2017 Park F25D 23/126
2018/0147506 A1* 5/2018 Hazine B01D 61/12
2020/0199001 A1* 6/2020 Bursztein C02F 1/66
2021/0291090 A1* 9/2021 Kim F25D 23/126

OTHER PUBLICATIONS

Maxblue Refrigerator Water Filter, Nov. 11, 2018, Amazon, site visited Jan. 27, 2022: <https://www.amazon.com/dp/B07KF1P138/> (Year: 2018).*

* cited by examiner

FIG. 1

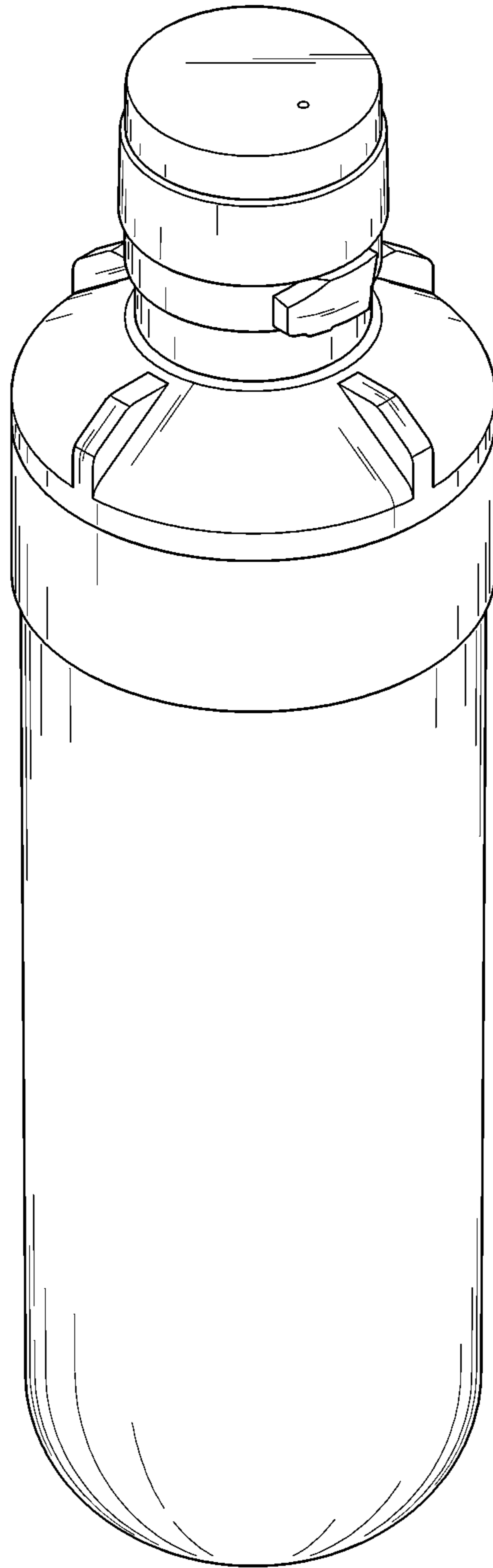


FIG. 2

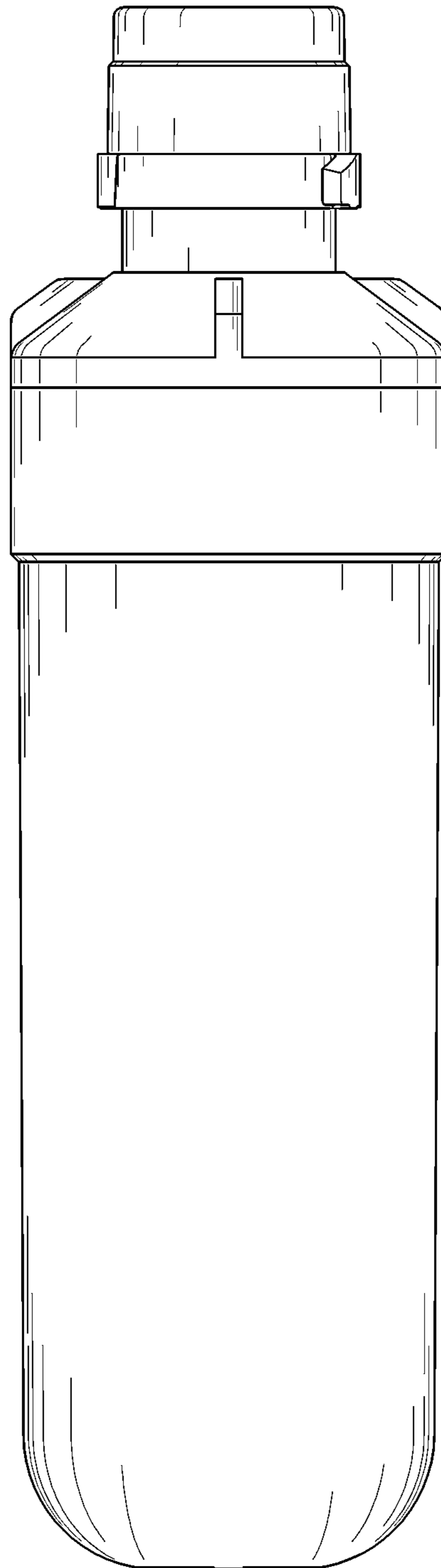


FIG. 3

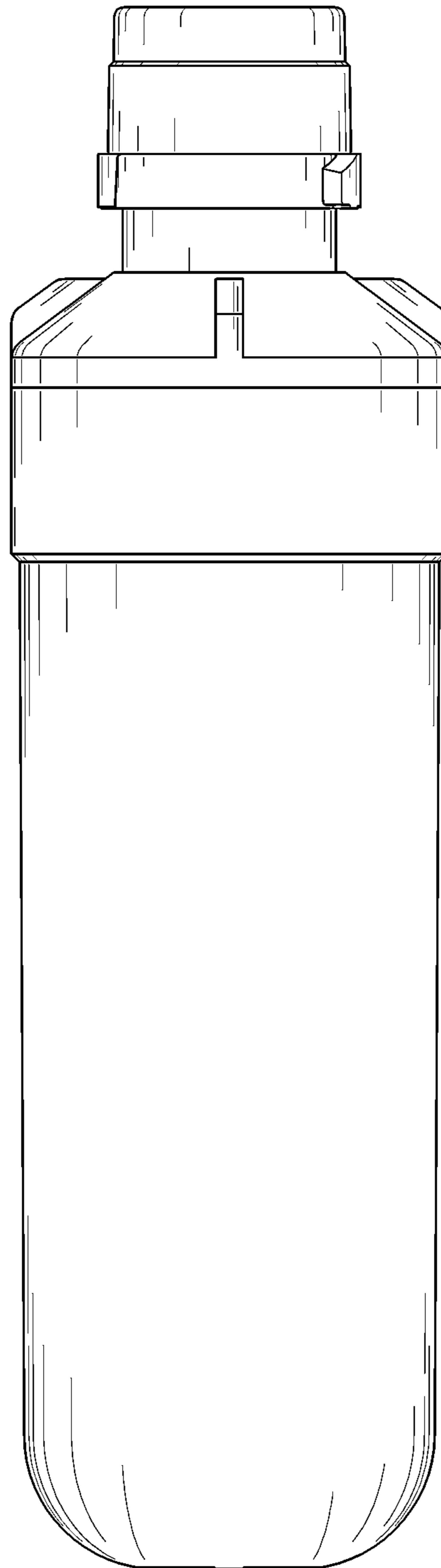


FIG. 4

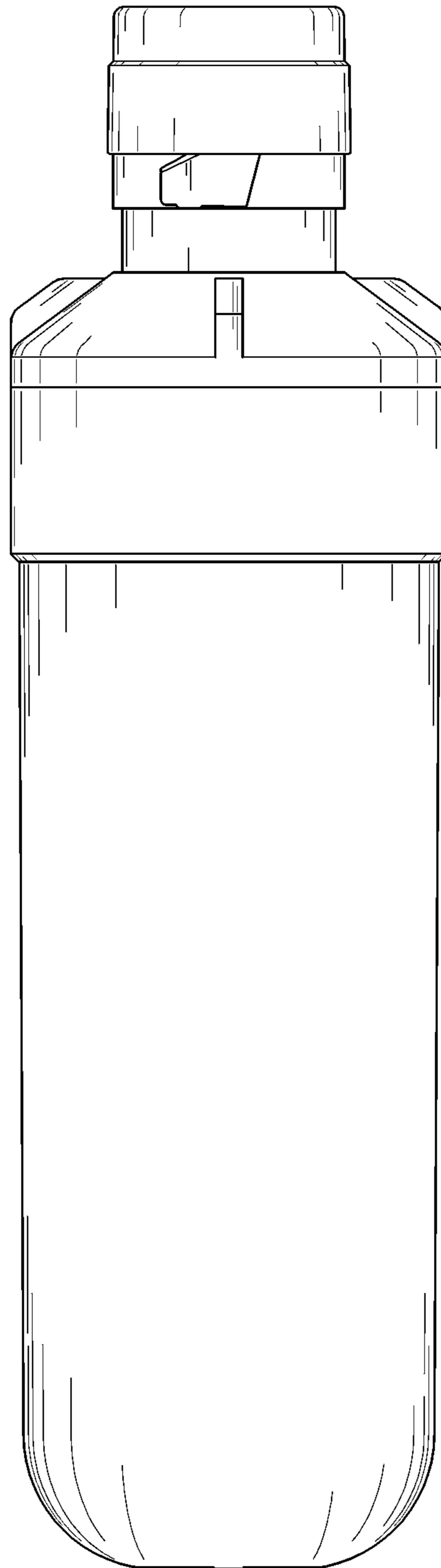


FIG. 5

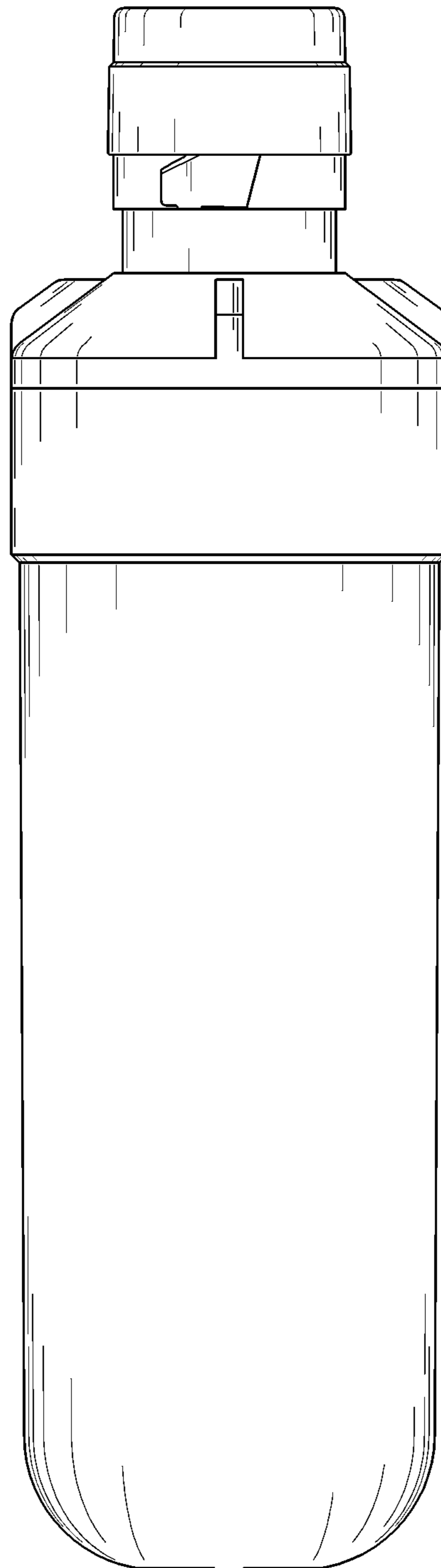


FIG. 6

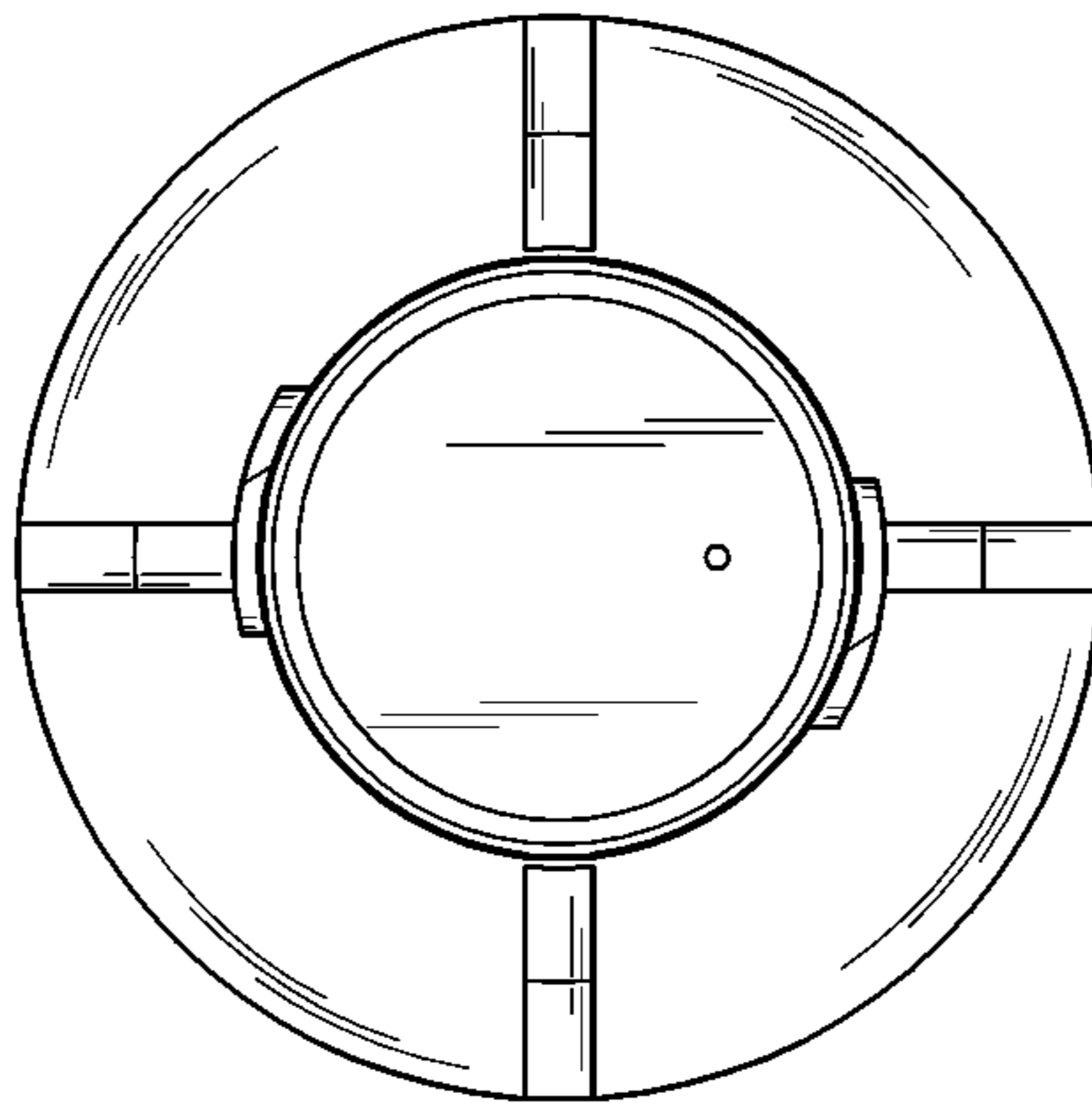


FIG. 7

