

US00D964509S

(12) **United States Design Patent** (10) **Patent No.:** **US D964,509 S**
Downie et al. (45) **Date of Patent:** **** Sep. 20, 2022**

(54) **MAGNETIC FILTER AND CONNECTION ASSEMBLY**

D795,999 S * 8/2017 Downie D23/209
D796,000 S * 8/2017 Downie D23/209
D802,712 S * 11/2017 Downie D23/209

(Continued)

(71) Applicant: **Adey Holdings (2008) Limited**,
Cheltenham (GB)

FOREIGN PATENT DOCUMENTS

(72) Inventors: **Simon Downie**, Cheltenham (GB);
Kelvin Leung, Cheltenham (GB); **Alan Ferry**, Cheltenham (GB)

CN 201830759875.9 * 12/2019

(73) Assignee: **ADEY HOLDINGS (2008) LIMITED**,
Cheltenham (GB)

OTHER PUBLICATIONS

(**) Term: **15 Years**

Webstone Magnetic Filter found on May 13, 2021 at <https://www.supplyhouse.com/Webstone-H-75714-1-Sweat-Brass-Magnetic-Boiler-Filter-with-Isolation-Valves> (Year: 2019).*

(21) Appl. No.: **29/715,250**

Primary Examiner — Karen S Acker

(22) Filed: **Nov. 29, 2019**

Assistant Examiner — Jonathan E Fiencke

(30) **Foreign Application Priority Data**

(74) *Attorney, Agent, or Firm* — Jacob M. Ward; Ward Law Office LLC

May 30, 2019 (GB) 6062162

(51) **LOC (13) Cl.** **23-01**

(52) **U.S. Cl.**
USPC **D23/209**

(58) **Field of Classification Search**
USPC D23/206–207, 209, 213, 359, 365;
D24/162, 210, 348, 650
CPC B01D 35/30; B01D 35/153; B01D 35/306;
B01D 2201/29; C02F 1/002; C02F 1/003
See application file for complete search history.

(57) **CLAIM**

The ornamental design for a magnetic filter and connection assembly, as shown and described.

(56) **References Cited**

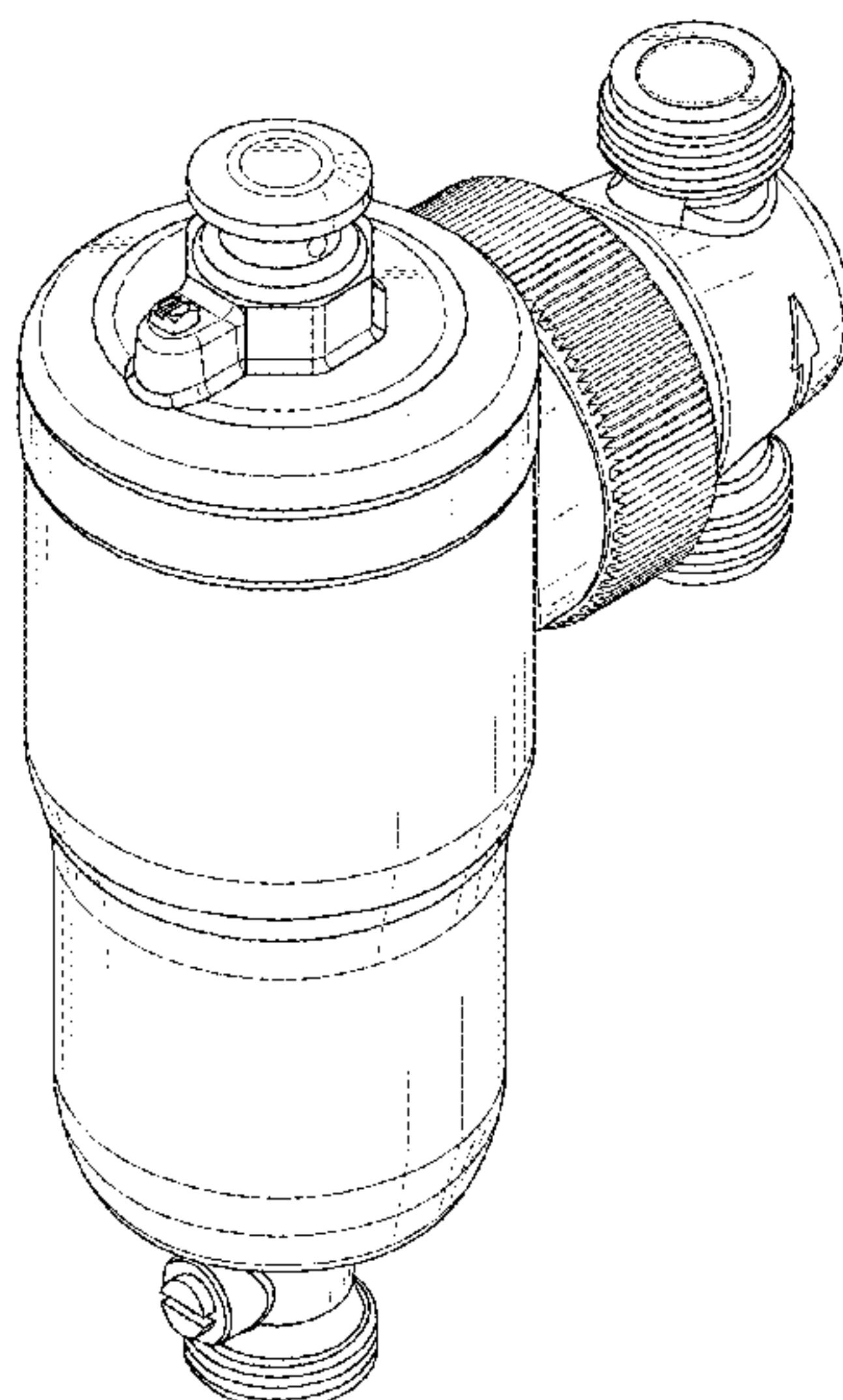
U.S. PATENT DOCUMENTS

7,094,334 B1 * 8/2006 Guzman B01D 35/04
200/84 C
D533,916 S * 12/2006 Liao D23/209
D783,774 S * 4/2017 Costantini D23/209
D786,399 S * 5/2017 Brixius D23/209
D792,942 S * 7/2017 Adey B01D 35/06
D23/209
D793,523 S * 8/2017 Adey B01D 21/0009
D23/209

DESCRIPTION

FIG. 1 is a top perspective view of a magnetic filter and connection assembly;
FIG. 2 is a bottom perspective view of the magnetic filter and connection assembly shown in FIG. 1;
FIG. 3 is a right side elevational view thereof;
FIG. 4 is a left side elevational view thereof;
FIG. 5 is a rear elevational view thereof;
FIG. 6 is a front elevational view thereof;
FIG. 7 is a top plan view thereof; and,
FIG. 8 is a bottom plan view thereof.
The broken lines in the drawings depict portions of the magnetic filter and connection assembly that form no part of the claimed design. The dot dash dot broken lines in FIGS. 1-2, 5, and 7-8 depict the boundaries of the claim and form no part thereof.

1 Claim, 8 Drawing Sheets



(56)

References Cited

U.S. PATENT DOCUMENTS

D802,713 S	*	11/2017	Downie	D23/209
D852,321 S	*	6/2019	Downie	D23/209
D852,322 S	*	6/2019	Downie	D23/209
D878,516 S	*	3/2020	Pathan	D23/209
D903,048 S	*	11/2020	Lu	D23/209

* cited by examiner

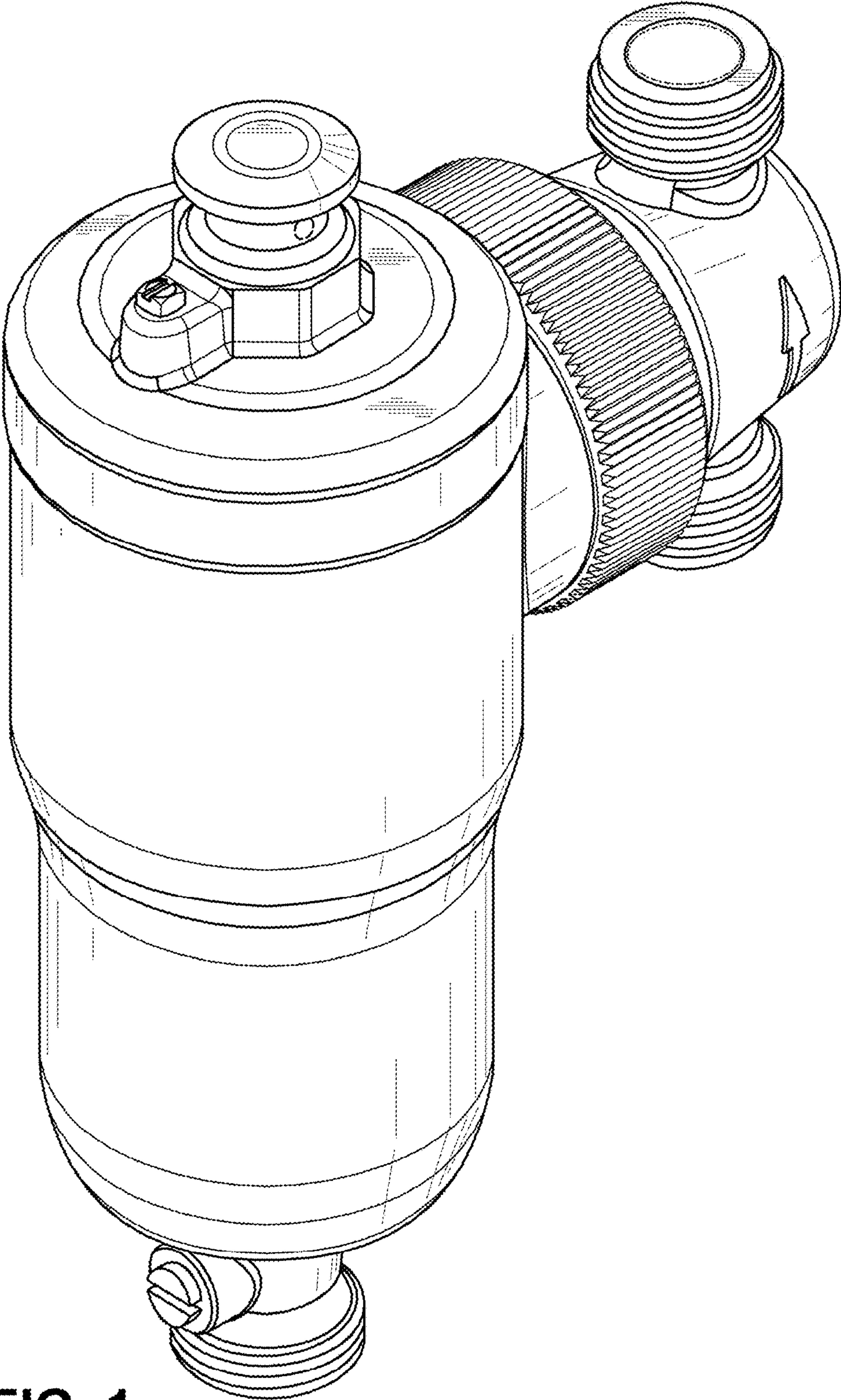


FIG. 1

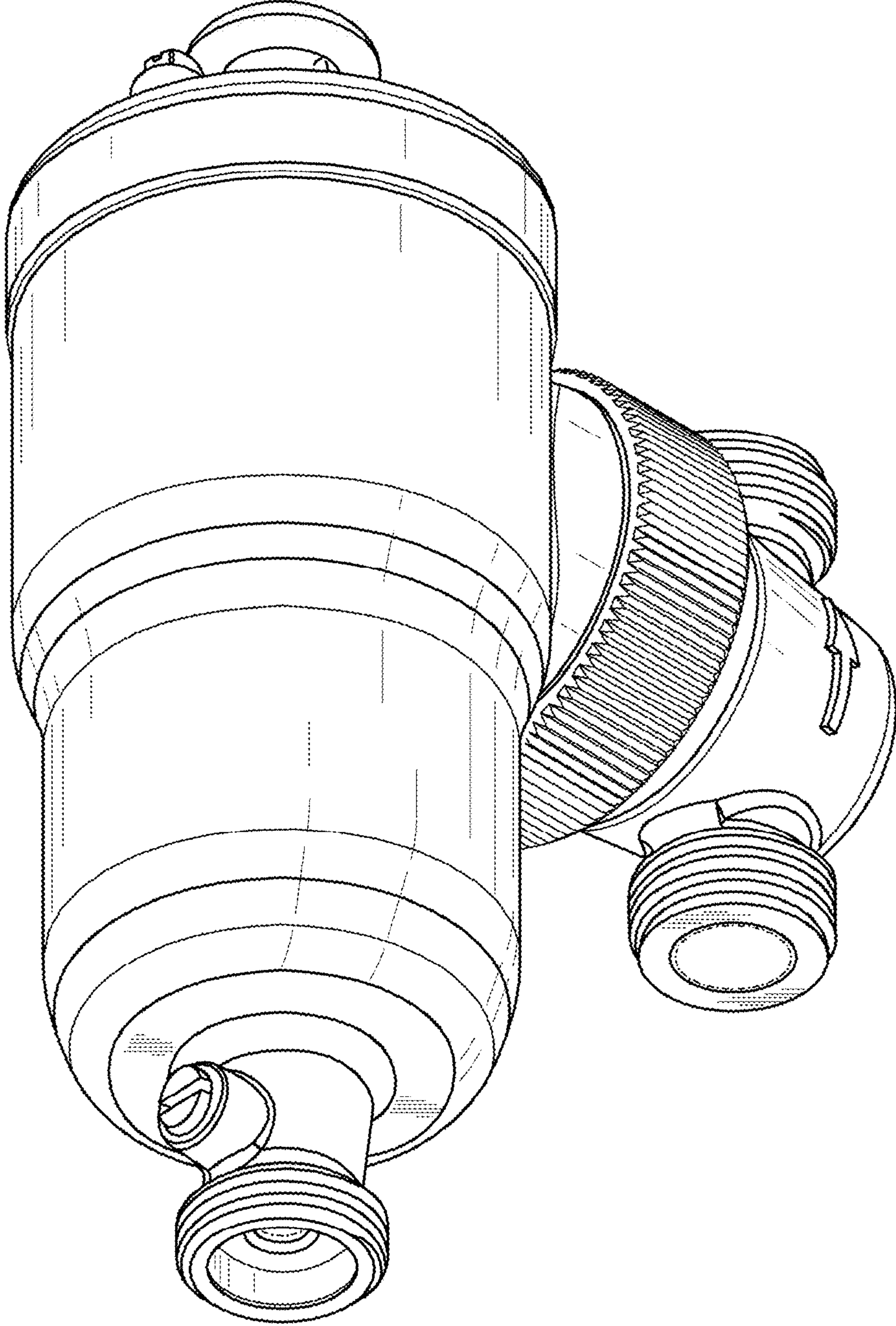


FIG. 2

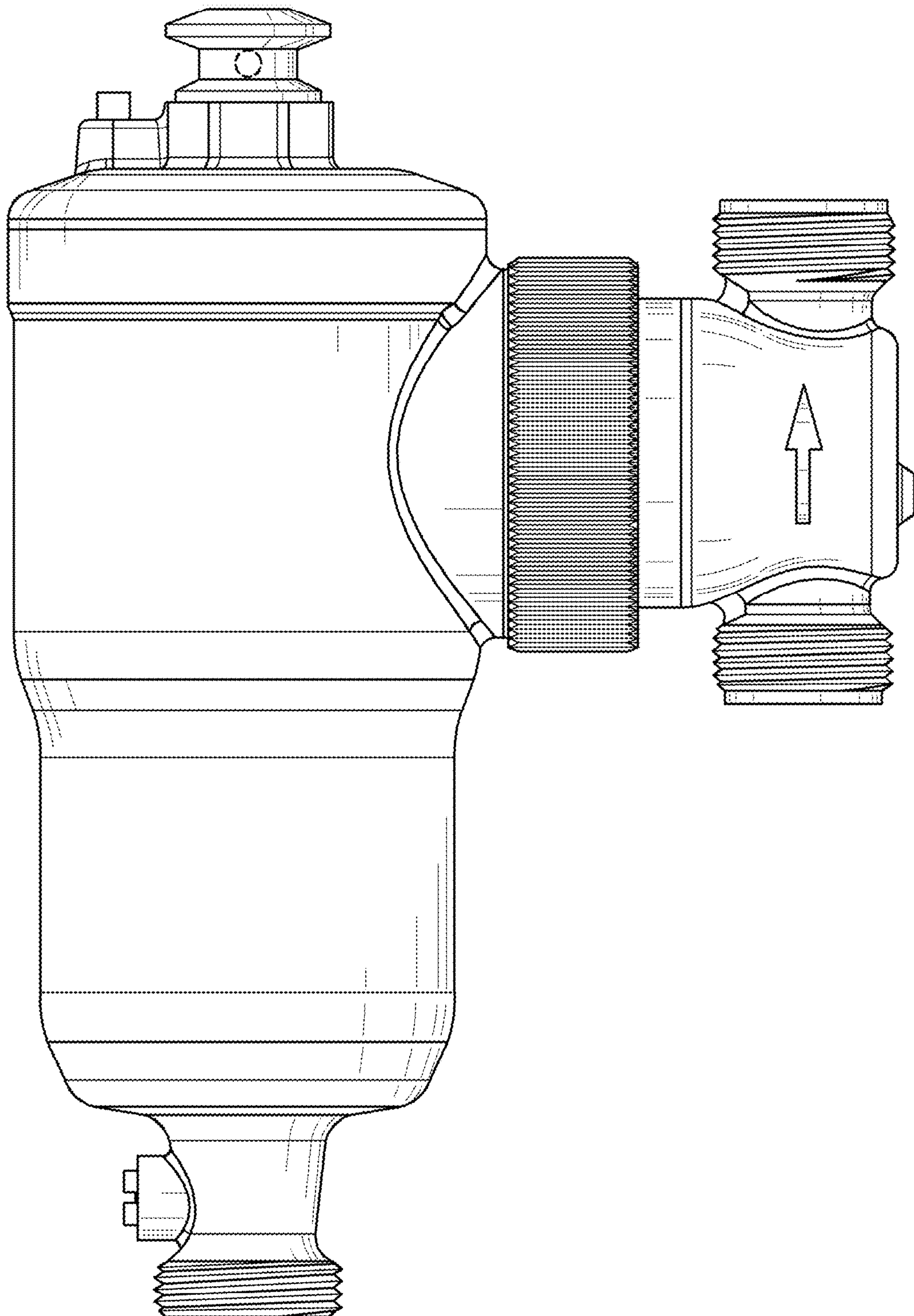


FIG. 3

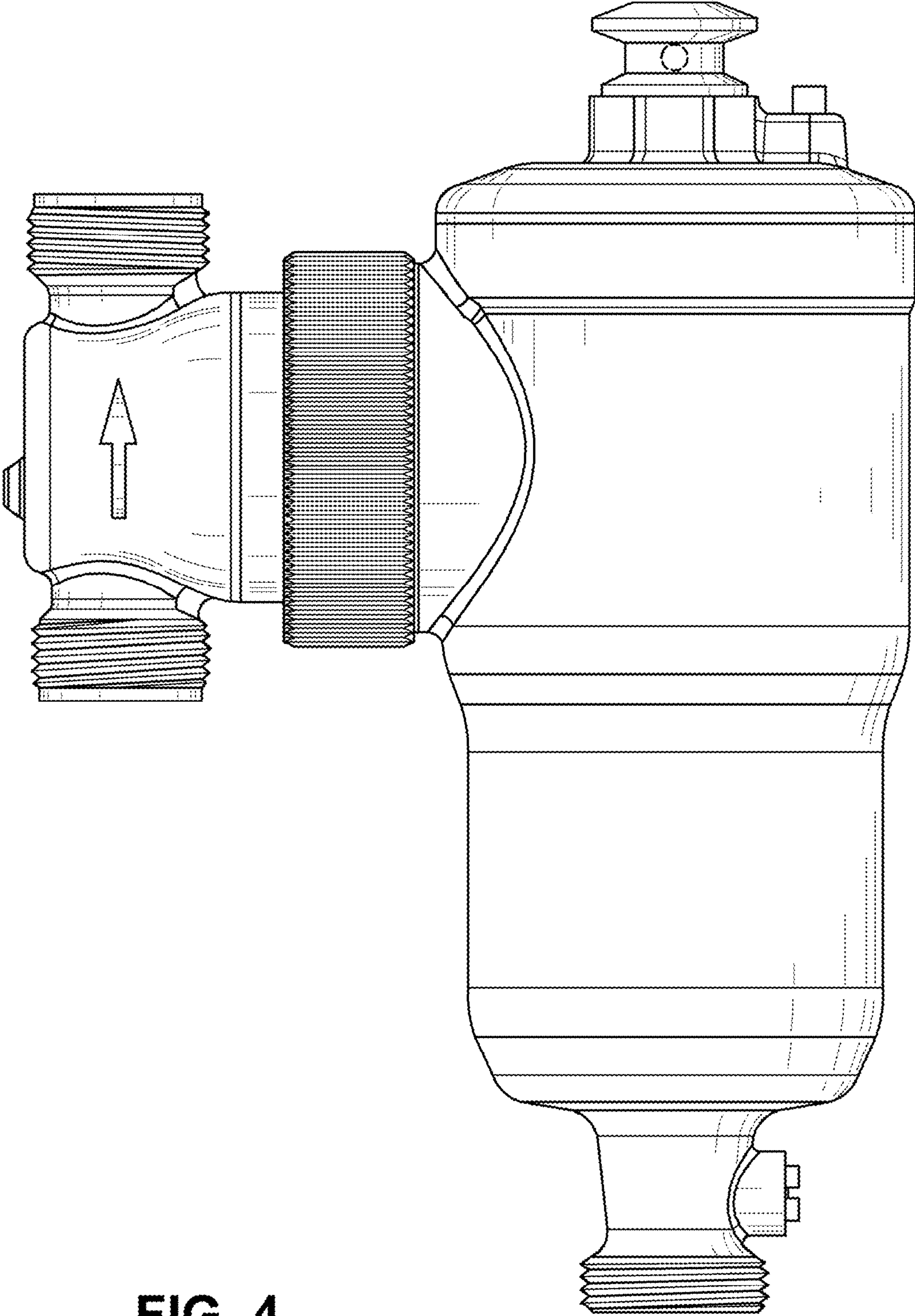


FIG. 4

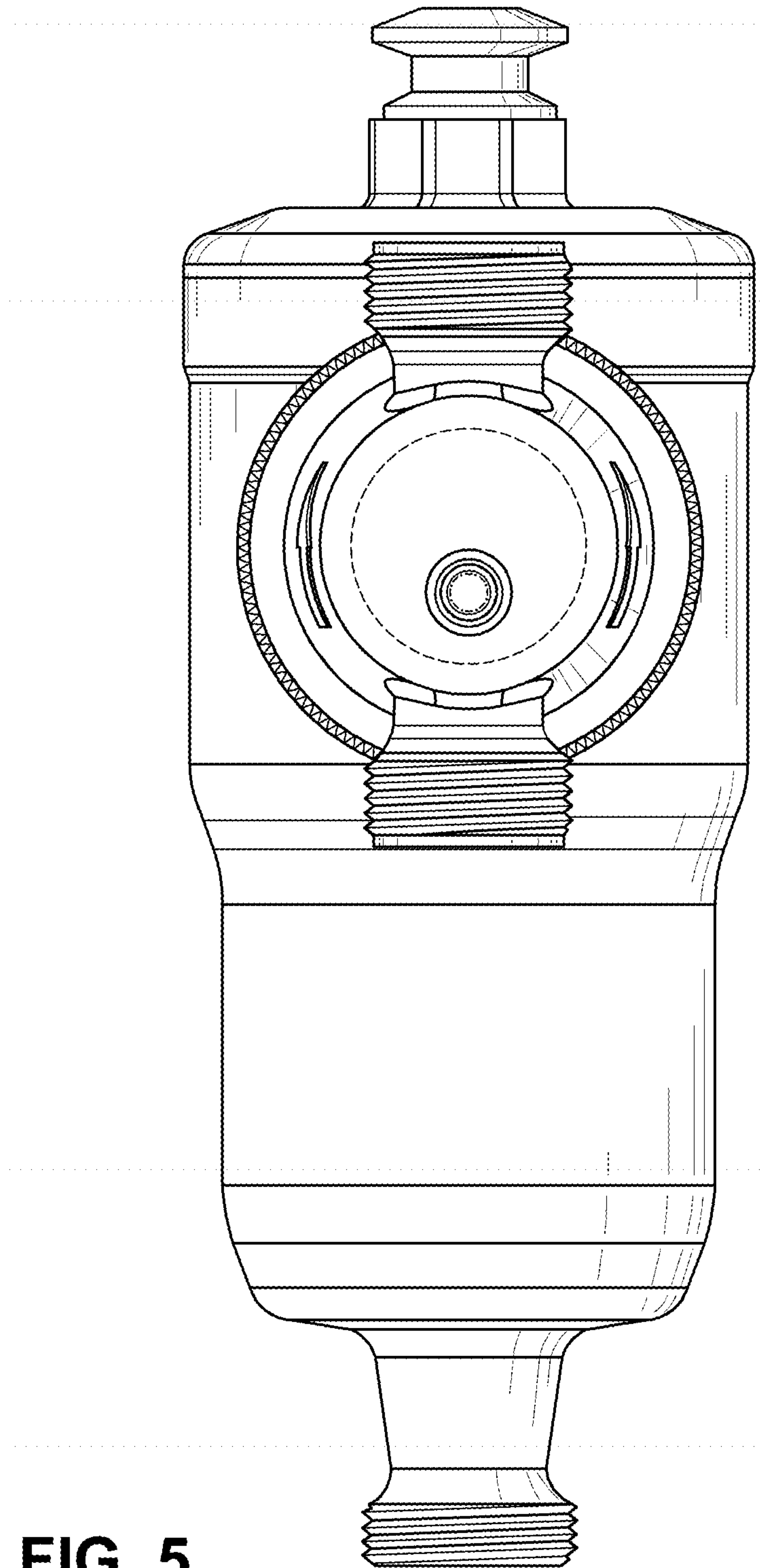


FIG. 5

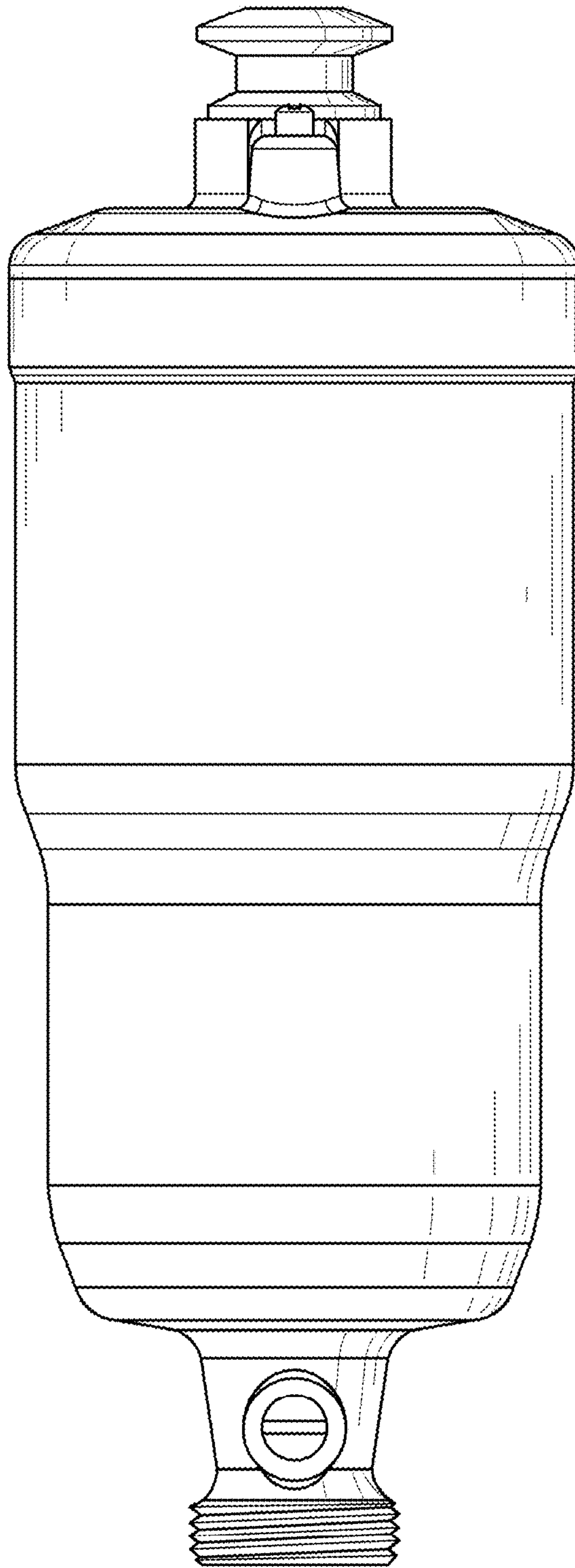


FIG. 6

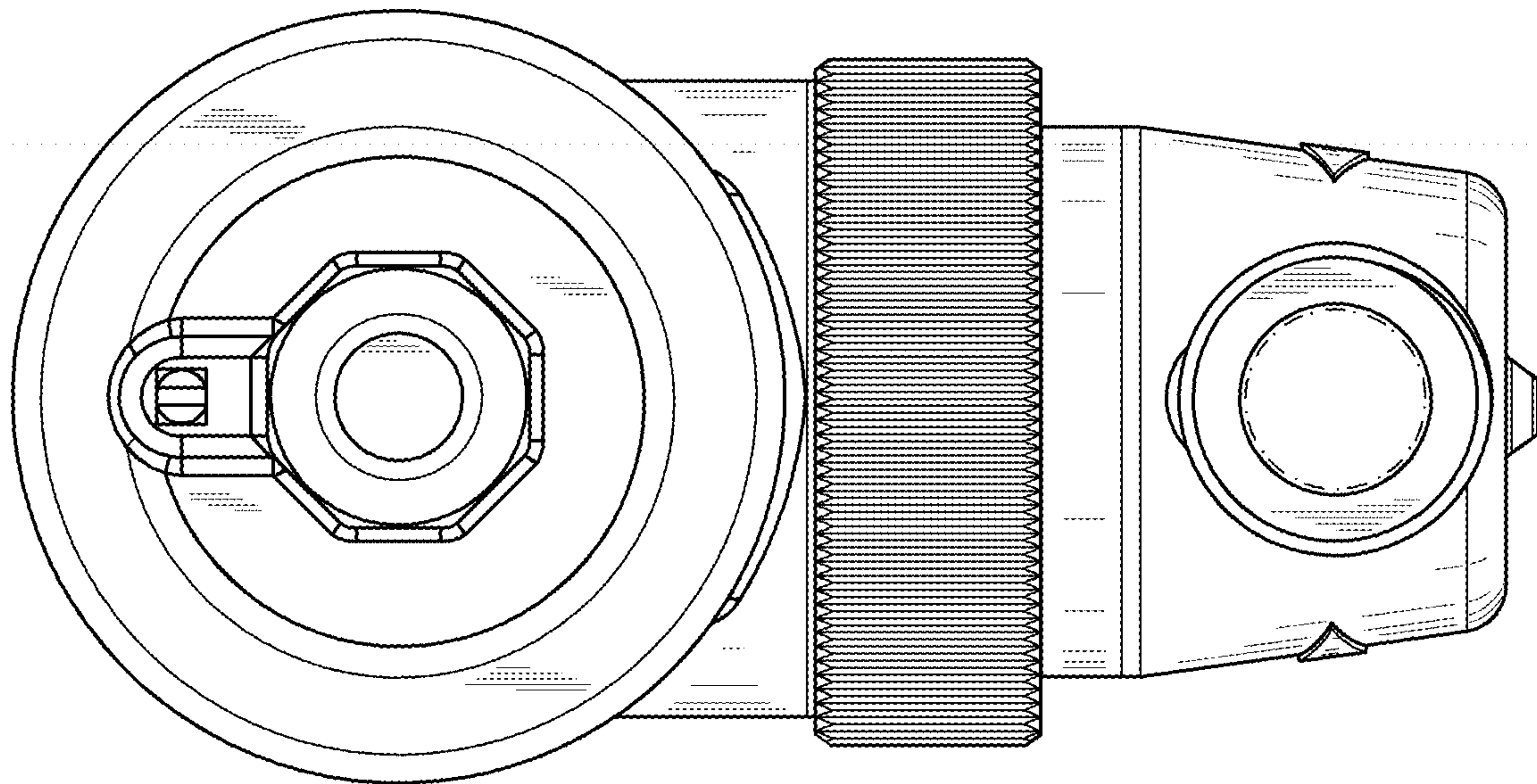


FIG. 7

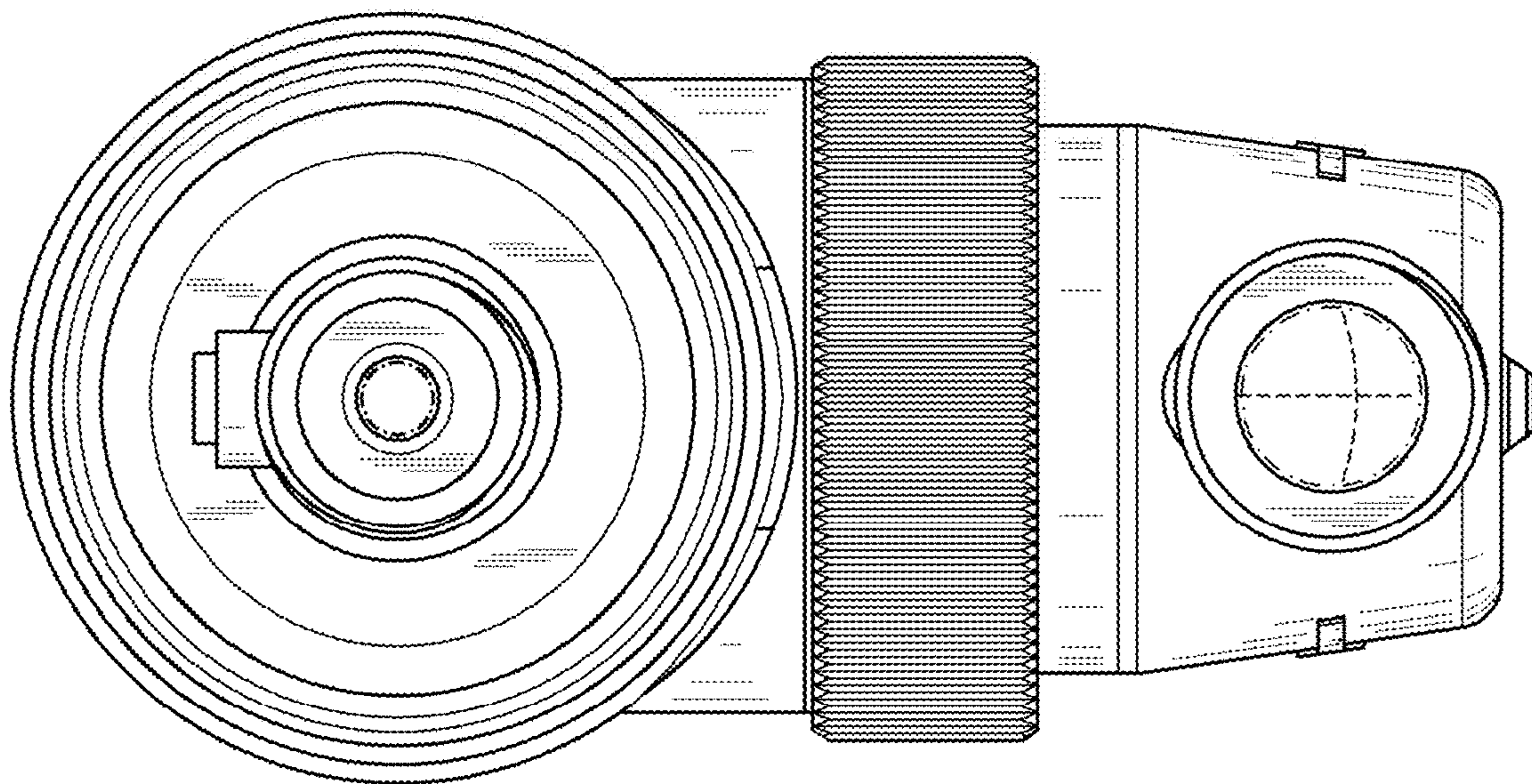


FIG. 8