



US00D964508S

(12) **United States Design Patent** (10) **Patent No.:** **US D964,508 S**
Downie et al. (45) **Date of Patent:** **** Sep. 20, 2022**

(54) **CANISTER FOR MAGNETIC FILTER**

D796,000 S * 8/2017 Downie D23/209
D802,712 S * 11/2017 Downie D23/209
D802,713 S * 11/2017 Downie D23/209
D852,321 S * 6/2019 Downie D23/209

(71) Applicant: **Adey Holdings (2008) Limited**,
Cheltenham (GB)

(Continued)

(72) Inventors: **Simon Downie**, Cheltenham (GB);
Kelvin Leung, Cheltenham (GB); **Alan Ferry**, Cheltenham (GB)

FOREIGN PATENT DOCUMENTS

CN 201830759875.9 * 12/2019

(73) Assignee: **ADEY HOLDINGS (2008) LIMITED**,
Cheltenham (GB)

OTHER PUBLICATIONS

(**) Term: **15 Years**

Webstone Magnetic Filter found on May 13, 2021 at: <https://www.supplyhouse.com/Webstone-H-75714-1-Sweat-Brass-Magnetic-Boiler-Filter-with-Isolation-Valves> (Year: 2019).*

(21) Appl. No.: **29/715,249**

Primary Examiner — Karen S Acker

(22) Filed: **Nov. 29, 2019**

Assistant Examiner — Jonathan E Fiencke

(30) **Foreign Application Priority Data**

(74) *Attorney, Agent, or Firm* — Jacob M. Ward; Ward Law Office LLC

May 30, 2019 (GB) 6062161

(51) **LOC (13) Cl.** **23-01**

(57) **CLAIM**

(52) **U.S. Cl.**
USPC **D23/209**

The ornamental design for a canister for magnetic filter, as shown and described.

(58) **Field of Classification Search**
USPC D23/206–207, 209, 213, 359, 365;
D24/162, 210, 348, 650
CPC B01D 35/30; B01D 35/153; B01D 35/306;
B01D 2201/29; C02F 1/002; C02F 1/003
See application file for complete search history.

DESCRIPTION

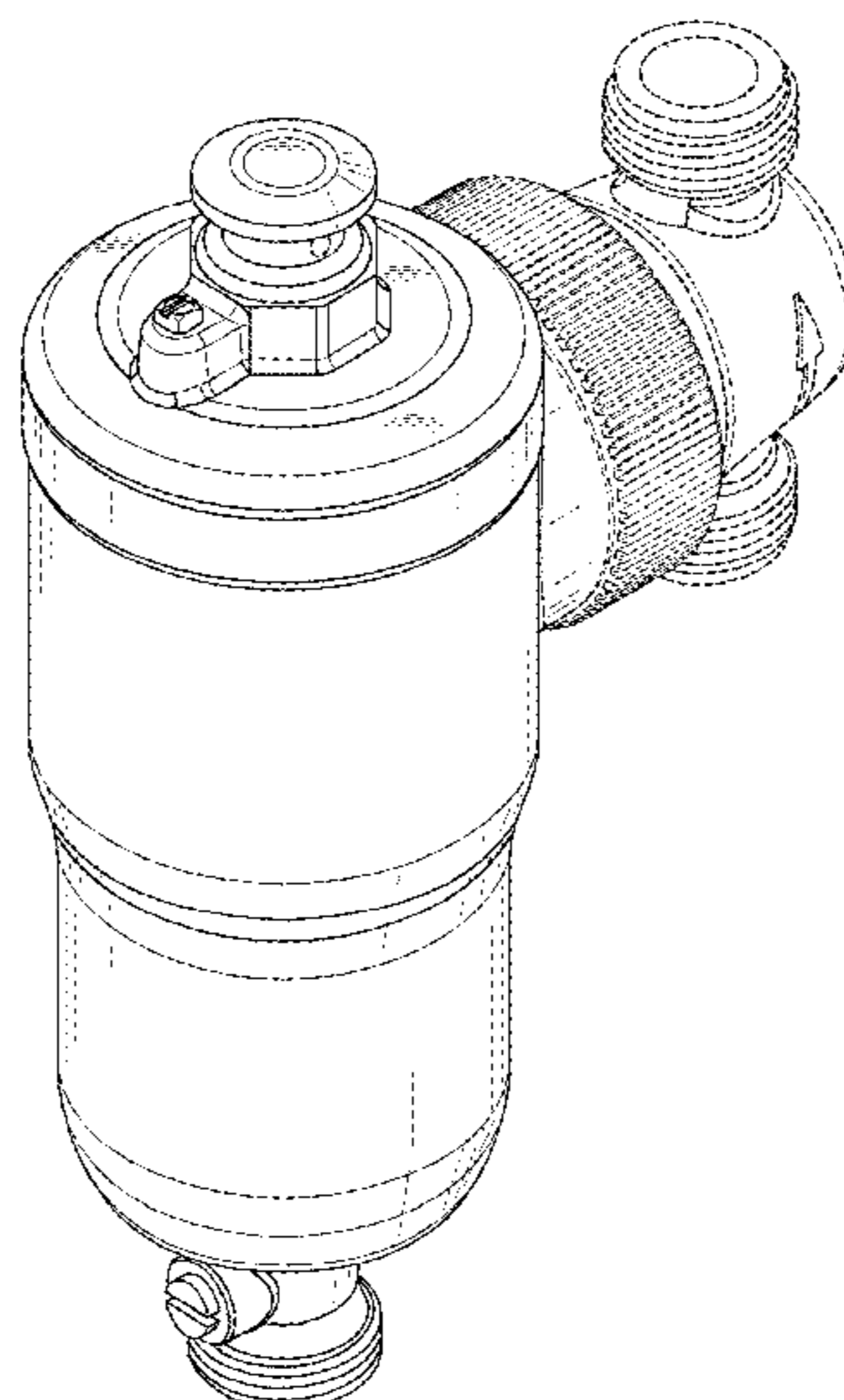
(56) **References Cited**

U.S. PATENT DOCUMENTS

7,094,334 B1 * 8/2006 Guzman B01D 35/04
200/84 C
D533,916 S * 12/2006 Liao D23/209
D783,774 S * 4/2017 Costantini D23/209
D786,399 S * 5/2017 Brixius D23/209
D792,942 S * 7/2017 Adey B01D 35/06
D23/209
D793,523 S * 8/2017 Adey B01D 21/0009
D23/209
D795,999 S * 8/2017 Downie D23/209

FIG. 1 is a top perspective view of a canister for a magnetic filter;
FIG. 2 is a bottom perspective view of the canister shown in FIG. 1;
FIG. 3 is a right side elevational view thereof;
FIG. 4 is a left side elevational view thereof;
FIG. 5 is a rear elevational view thereof;
FIG. 6 is a front elevational view thereof;
FIG. 7 is a top plan view thereof; and,
FIG. 8 is a bottom plan view thereof.
The broken lines in the drawings depict portions of the canister for magnetic filter that form no part of the claimed design. The dot dash dot broken lines in FIGS. 2 and 8 depict the boundaries of the claim and form no part thereof.

1 Claim, 8 Drawing Sheets



(56)

References Cited

U.S. PATENT DOCUMENTS

D852,322 S * 6/2019 Downie D23/209
D878,516 S * 3/2020 Pathan D23/209
D903,048 S * 11/2020 Lu D23/209

* cited by examiner

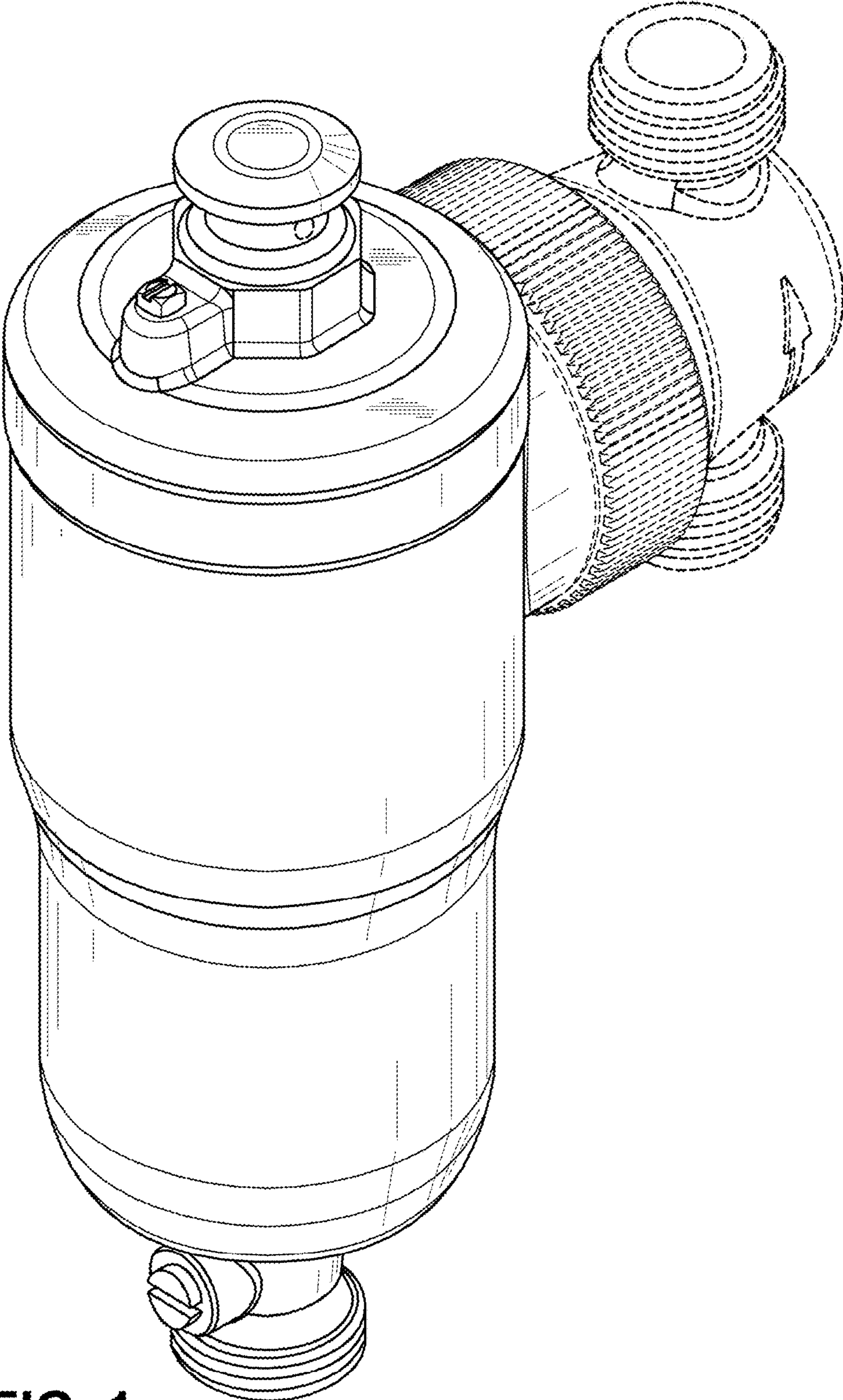


FIG. 1

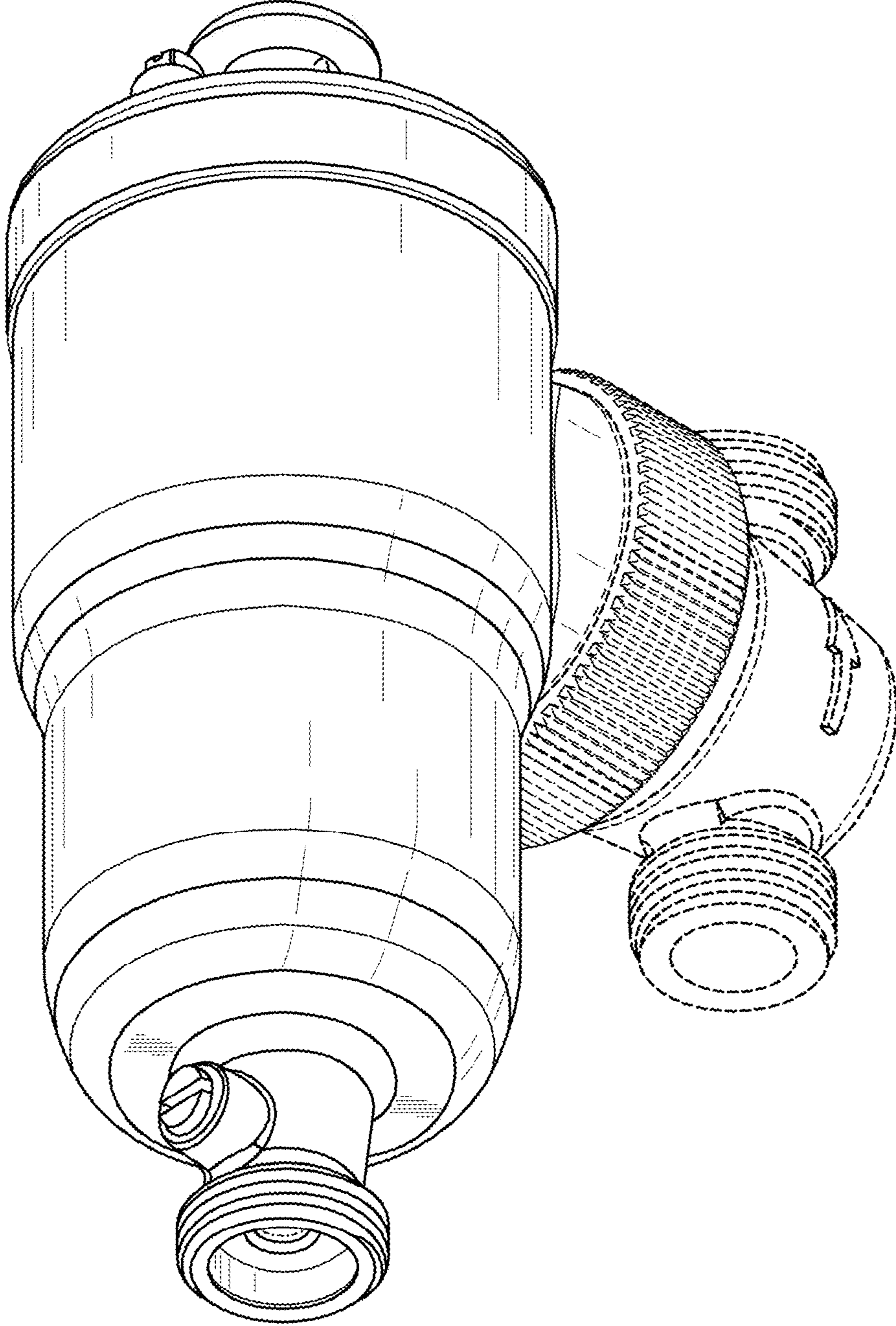


FIG. 2

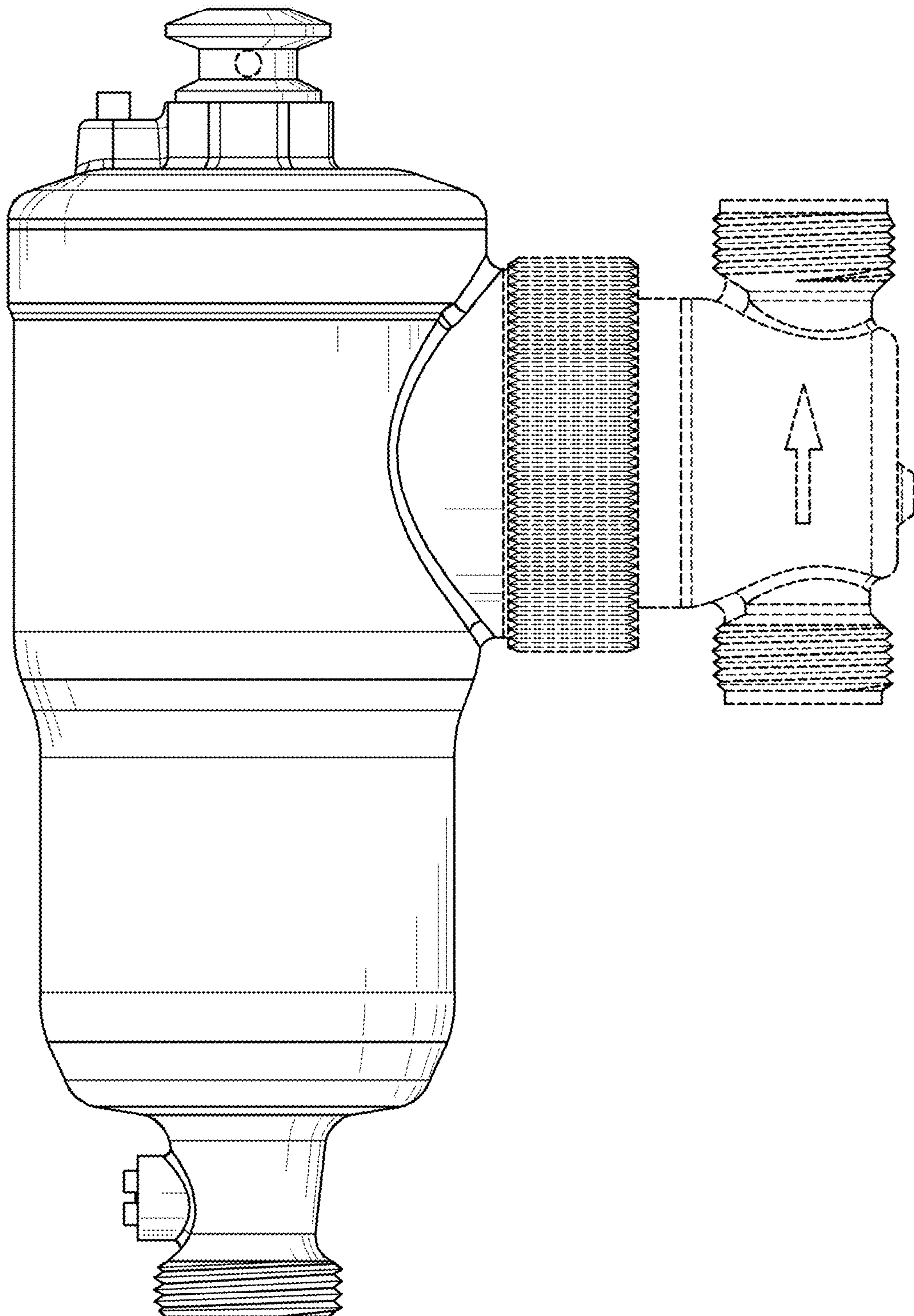


FIG. 3

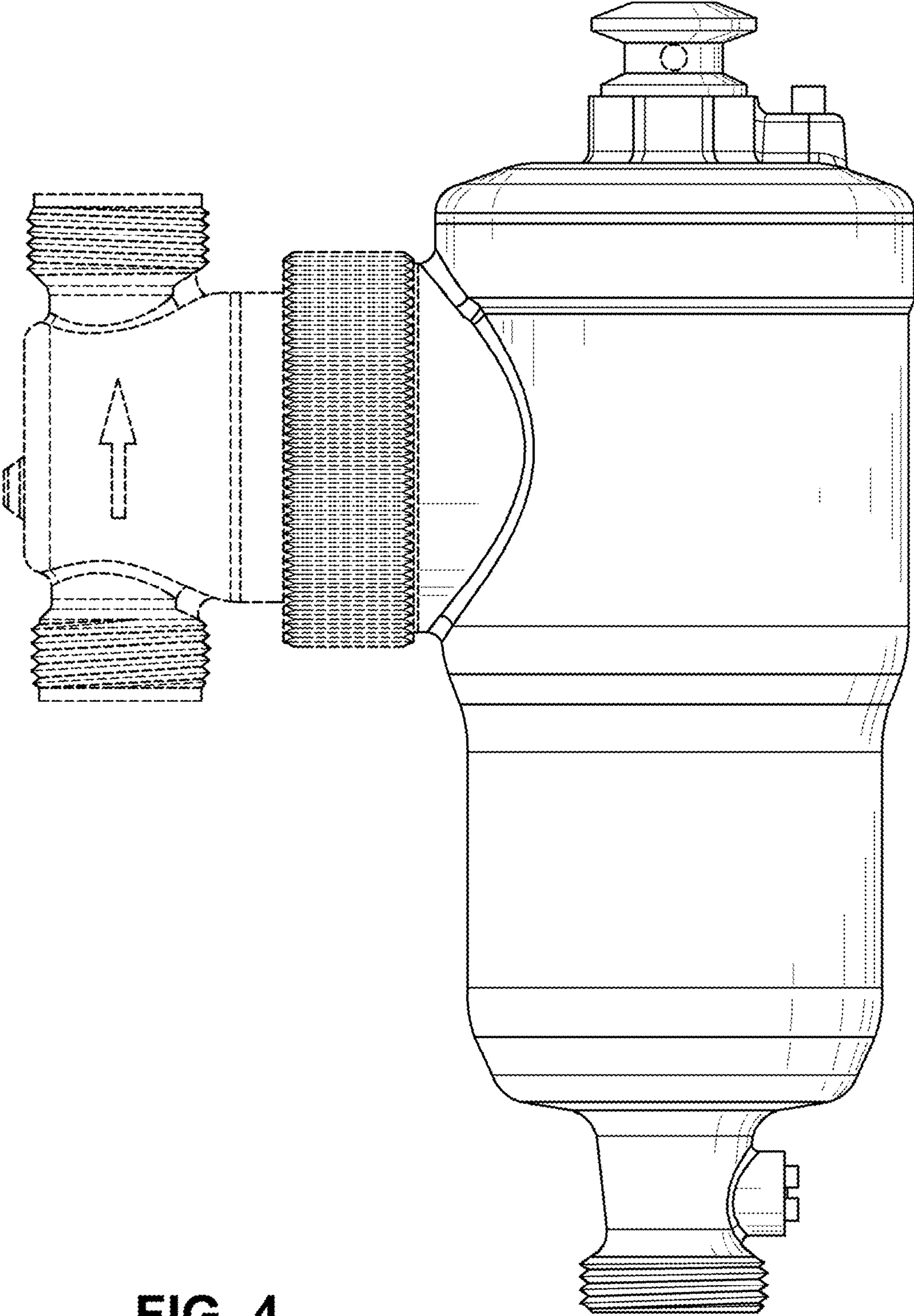


FIG. 4

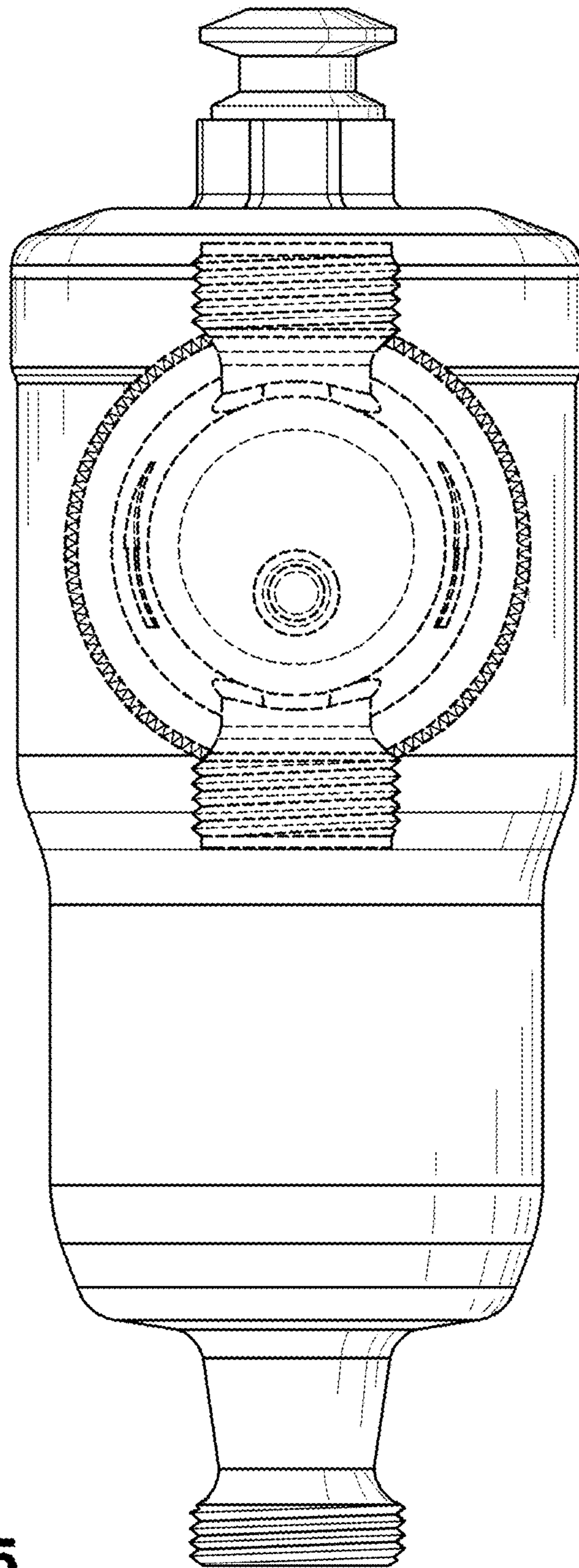


FIG. 5

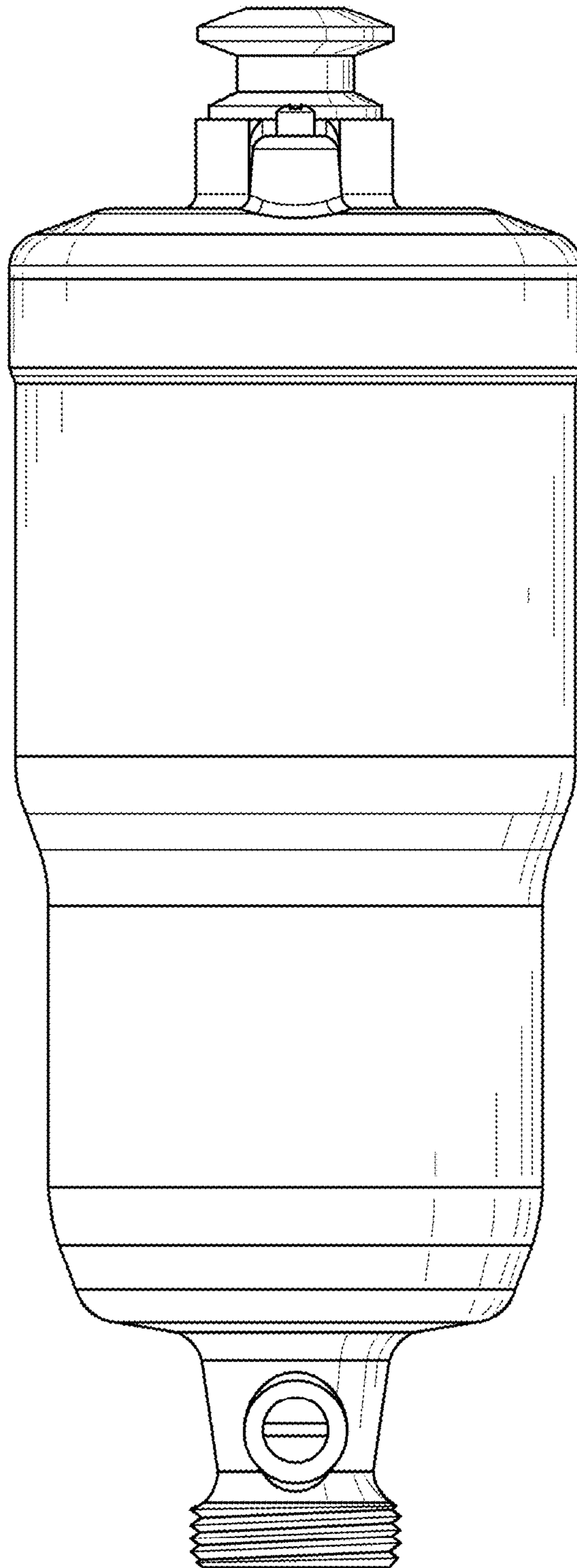


FIG. 6

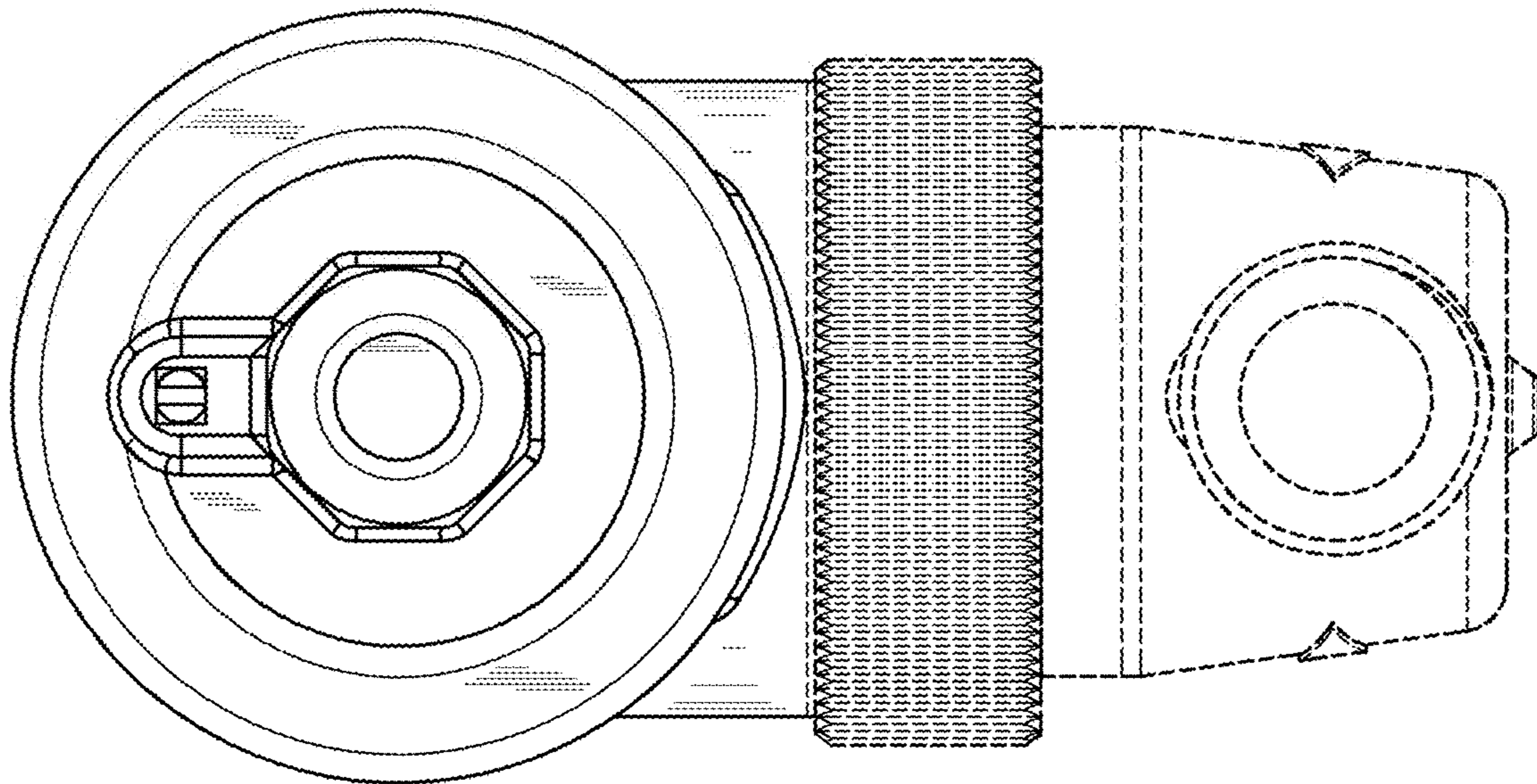


FIG. 7

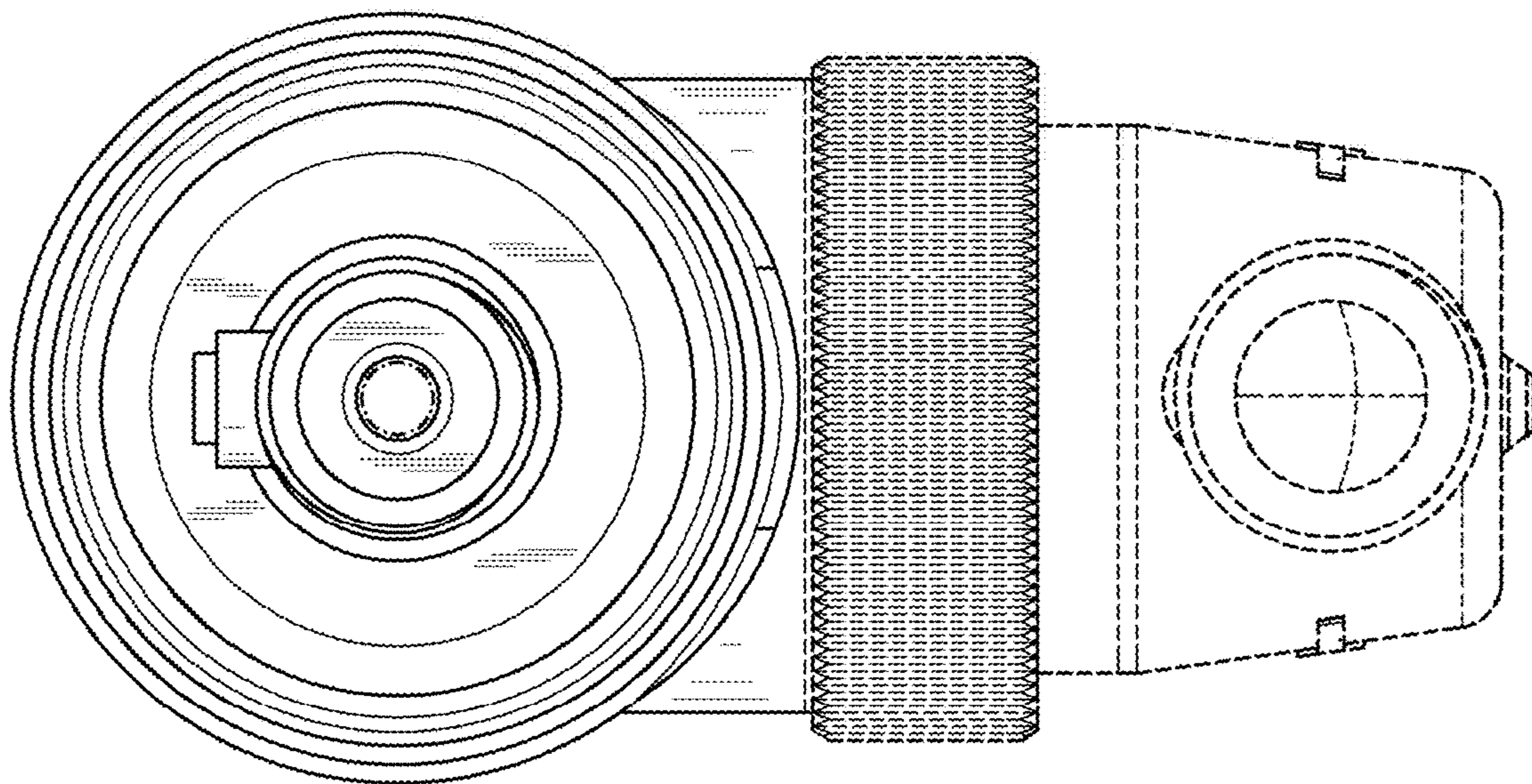


FIG. 8