



US00D964507S

(12) **United States Design Patent** (10) **Patent No.:** **US D964,507 S**
Hensinger (45) **Date of Patent:** **** Sep. 20, 2022**

(54) **FILTER**

FOREIGN PATENT DOCUMENTS

(71) Applicant: **Mahle International GmbH**, Stuttgart (DE)

DE 20 2011 104691 U1 1/2012
DE 11 2009 003 499 T5 5/2012
DE 10 2013 209662 A1 11/2014
DE 102015222359 A1 5/2017

(72) Inventor: **Heiko Hensinger**, Stuttgart (DE)

(73) Assignee: **Mahle International GmbH**

OTHER PUBLICATIONS

(**) Term: **15 Years**

English abstract for DE102015222359.
English abstract for DE202011104691.
English abstract for DE102013209662.

(21) Appl. No.: **29/712,989**

* cited by examiner

(22) Filed: **Nov. 13, 2019**

(51) **LOC (13) Cl.** **23-01**

Primary Examiner — Karen S Acker

(52) **U.S. Cl.**

Assistant Examiner — Jonathan E Fiencke

USPC **D23/209**

(74) *Attorney, Agent, or Firm* — Fishman Stewart PLLC

(58) **Field of Classification Search**

USPC D23/207, 209, 213, 365

CPC B05B 7/0425; E03C 1/08; E03C 1/084;
E03C 1/086

See application file for complete search history.

(57) **CLAIM**

The ornamental design for a filter, as shown and described.

(56) **References Cited**

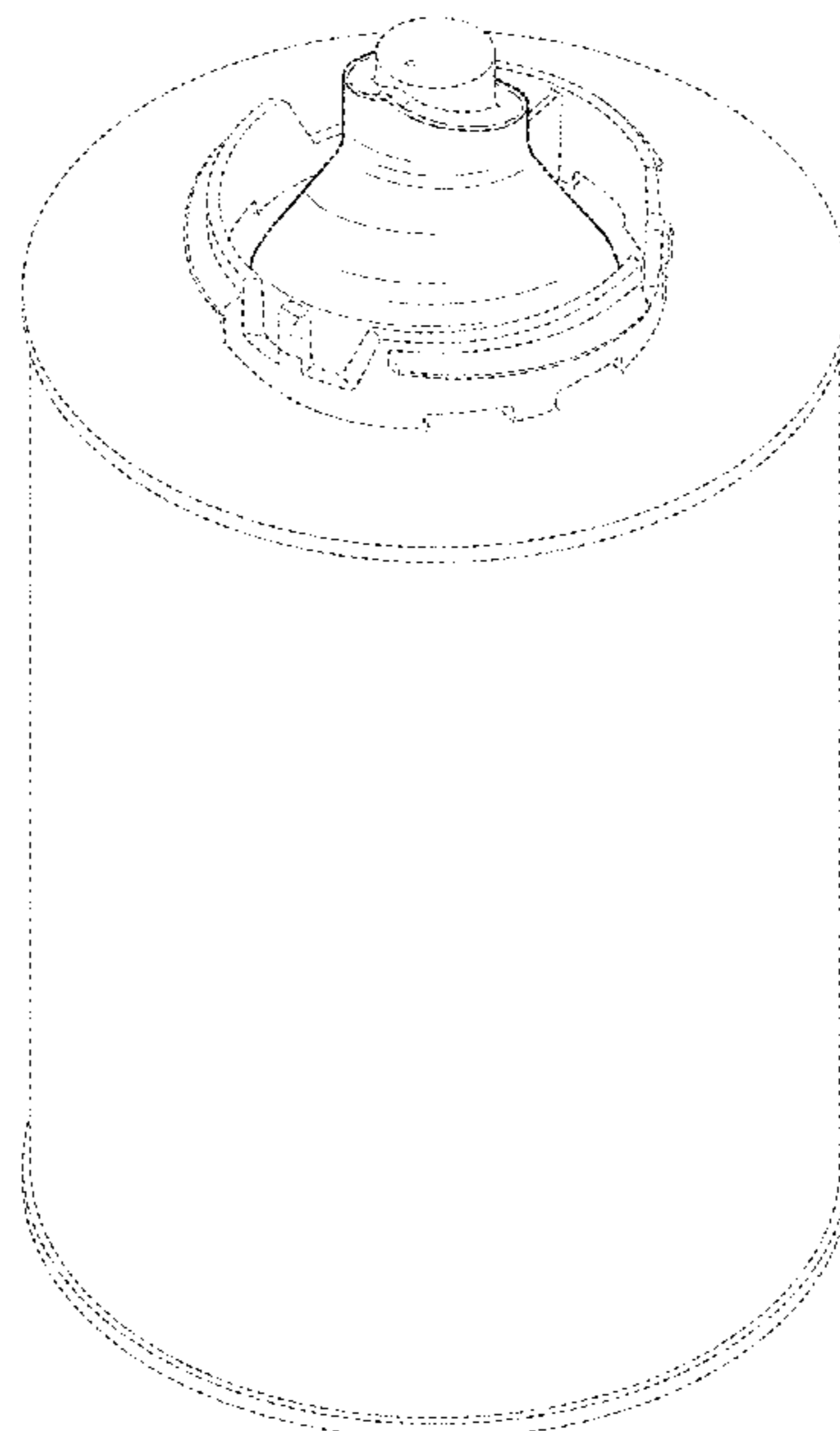
DESCRIPTION

U.S. PATENT DOCUMENTS

D546,412 S * 7/2007 Kennedy D23/209
D684,009 S * 6/2013 Bell D7/397
D693,427 S * 11/2013 Jones D23/213
9,011,683 B2 4/2015 South et al.
D729,344 S * 5/2015 Colussi D23/209
D765,221 S * 8/2016 Schwartz D23/209
D777,878 S * 1/2017 Morris D23/209
D793,525 S * 8/2017 Morris D23/209
D795,995 S * 8/2017 Zou D23/209
D795,996 S * 8/2017 Zou D23/209
D795,997 S * 8/2017 Zou D23/209
D846,069 S * 4/2019 Zou D23/209
D858,695 S * 9/2019 Chen D23/209
10,612,258 B2 * 4/2020 Coelho B01D 35/306
2009/0090668 A1 4/2009 Abdalla et al.
2019/0203674 A1 7/2019 Hensinger

FIG. 1 is a top perspective view of a filter;
FIG. 2 is a bottom perspective view of the filter;
FIG. 3 is a front view of the filter;
FIG. 4 is a back view of the filter;
FIG. 5 is a top view of the filter;
FIG. 6 is a bottom view of the filter;
FIG. 7 is a right side view thereof rotated rightward; and,
FIG. 8 is a second right view rotated leftward.
The broken lines in the figures depict portions of the filter that form no part of the claimed design. The dot dash dot broken lines denote the boundaries of the claim and form no part thereof.

1 Claim, 8 Drawing Sheets



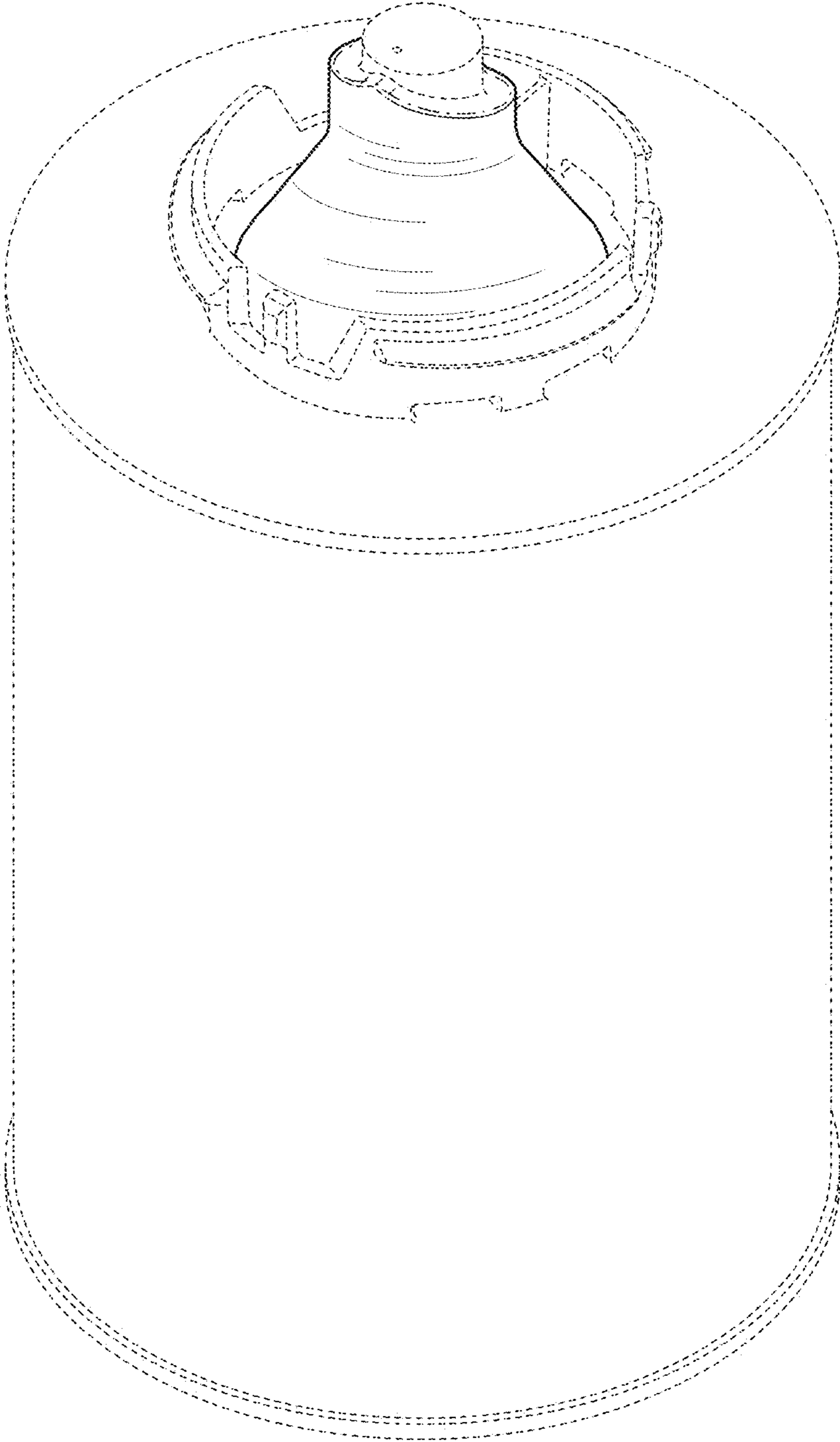


FIG. 1

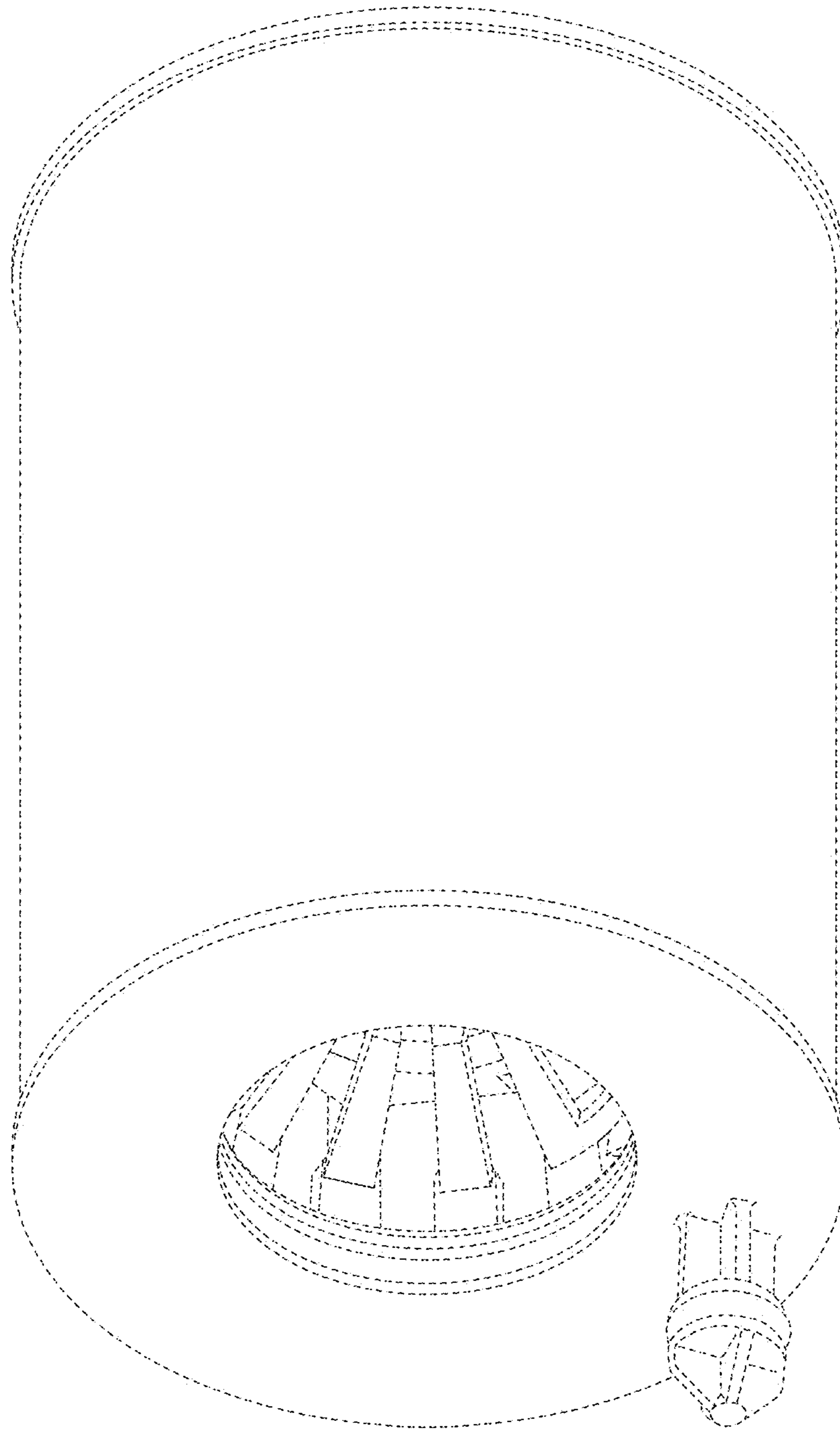


FIG. 2

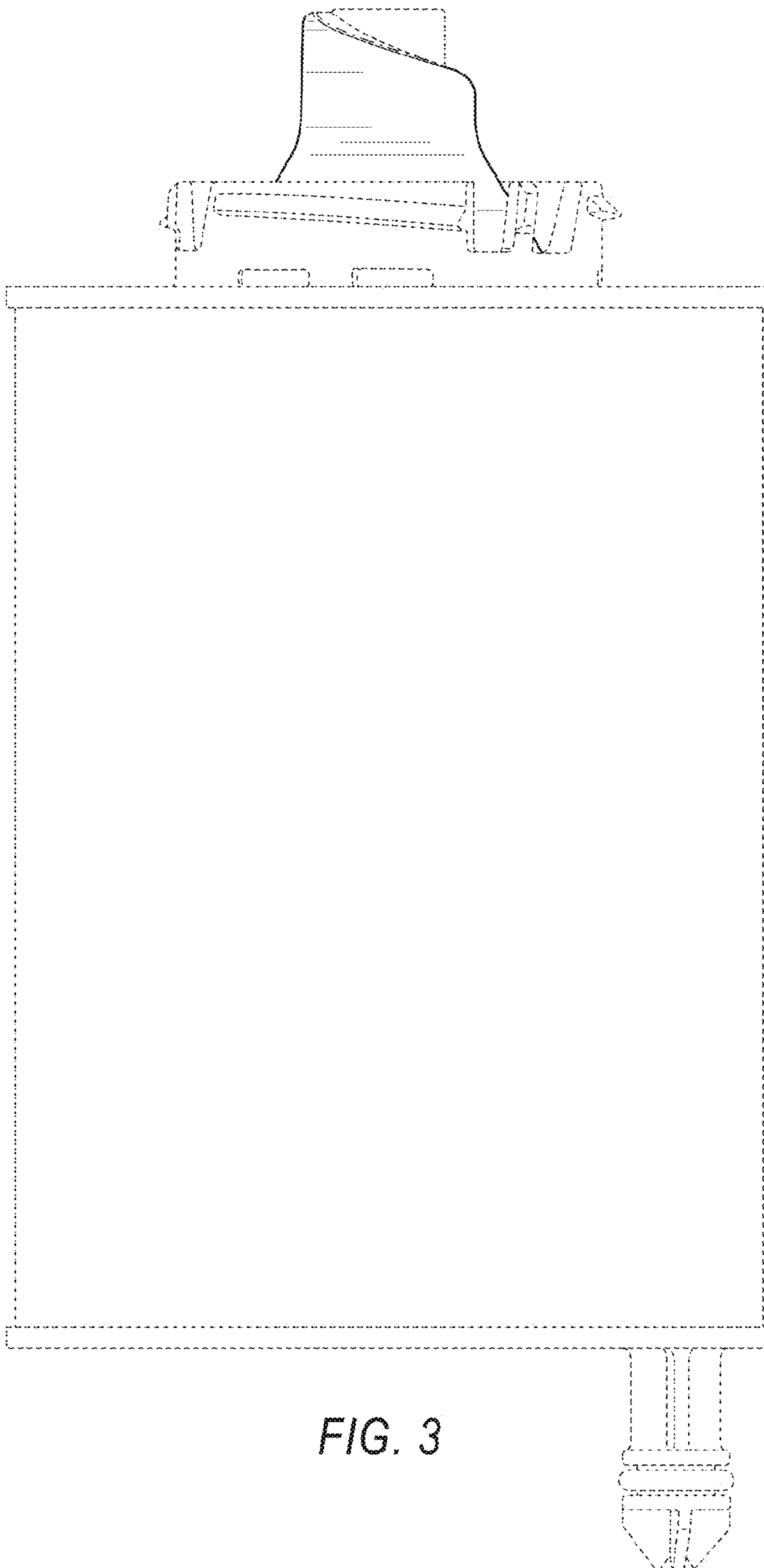


FIG. 3

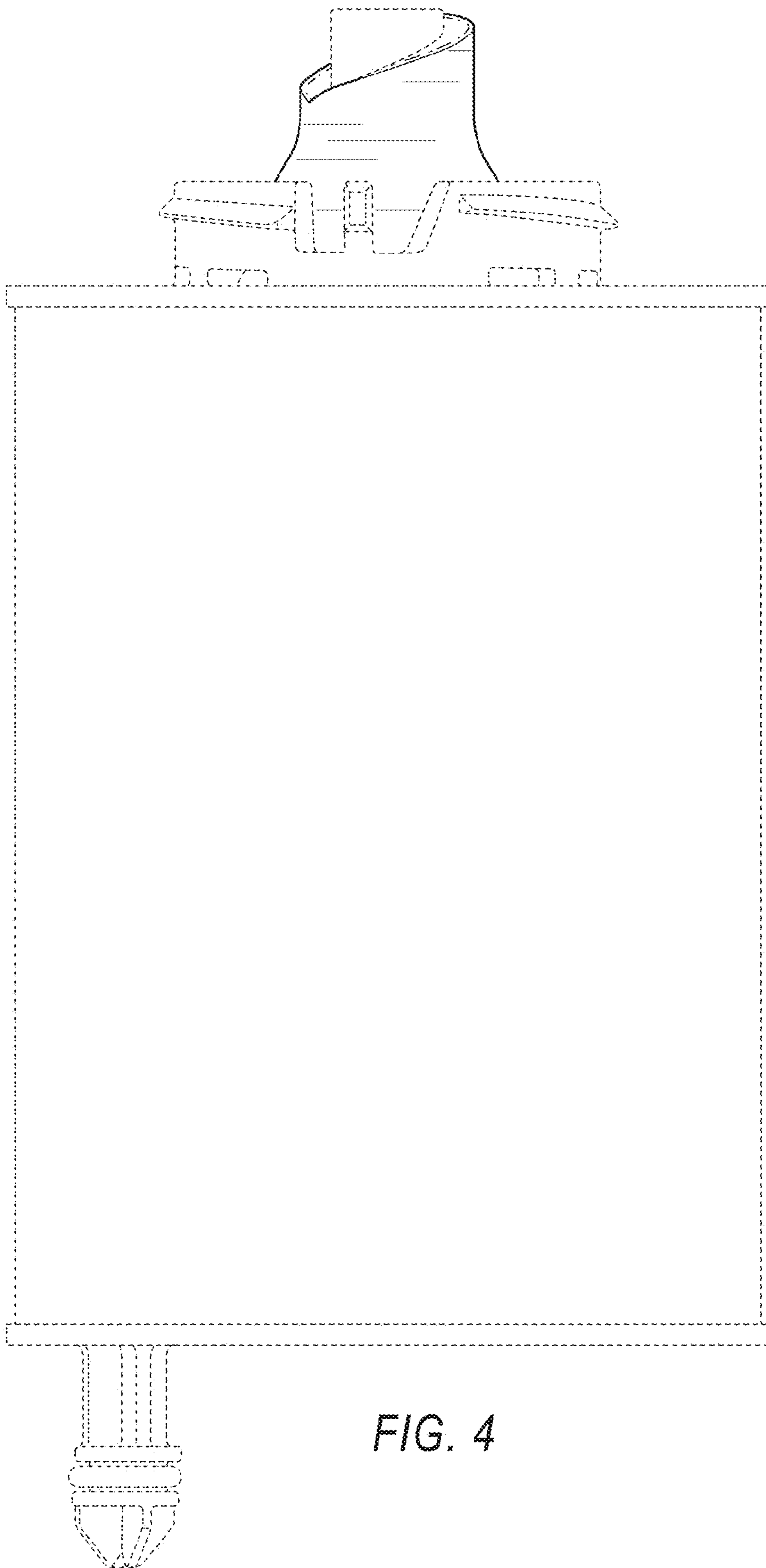


FIG. 4

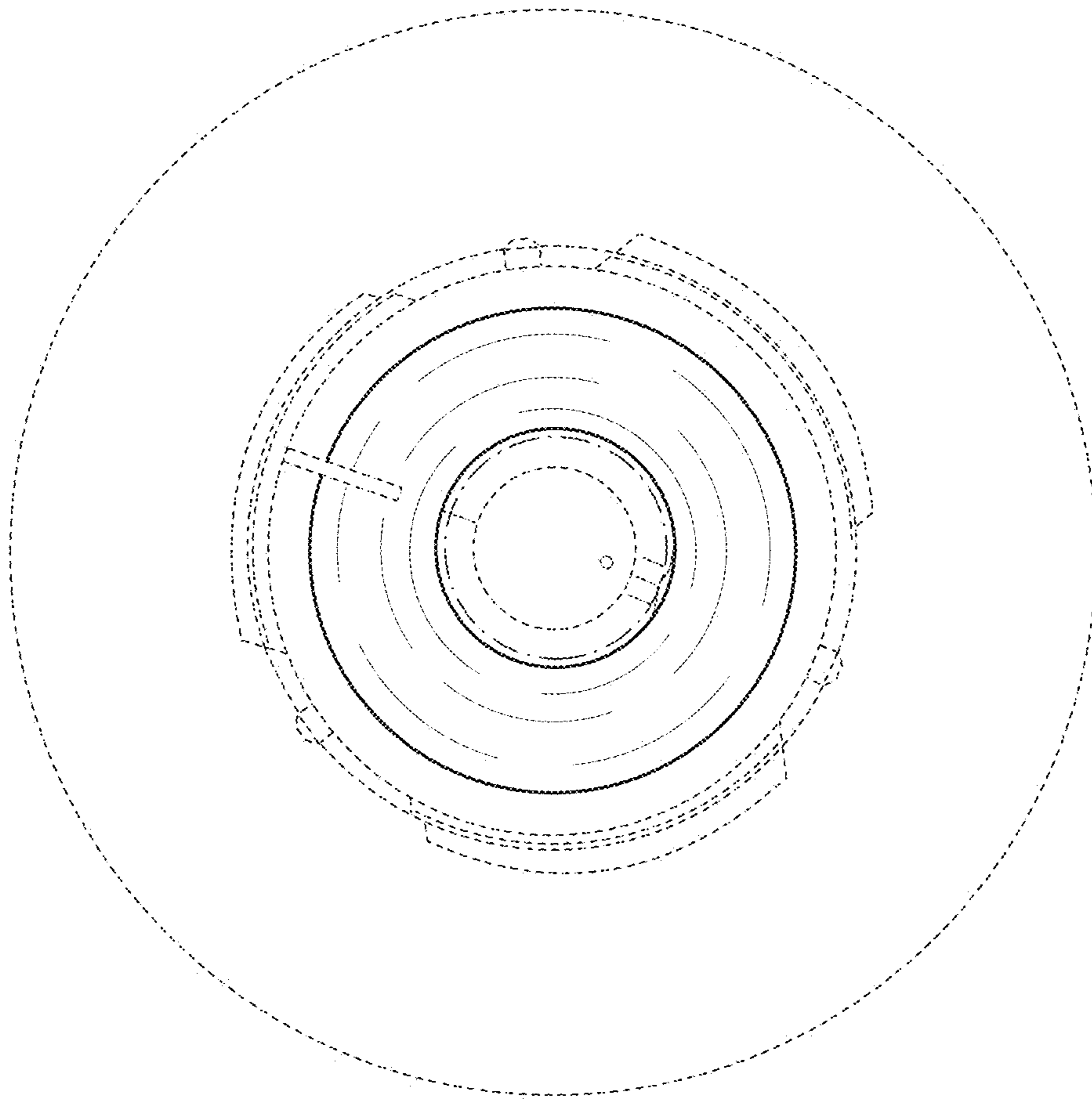


FIG. 5

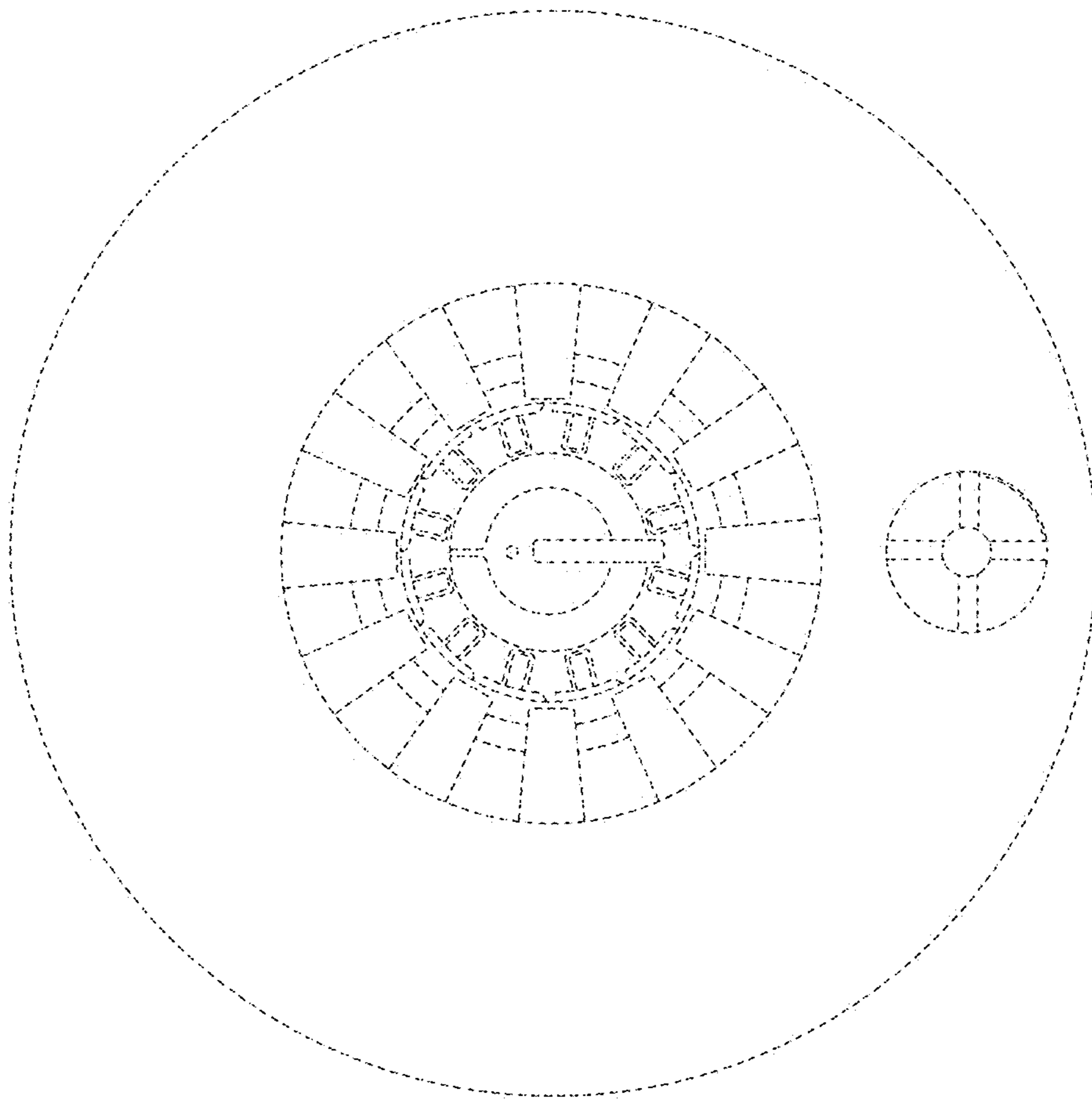


FIG. 6

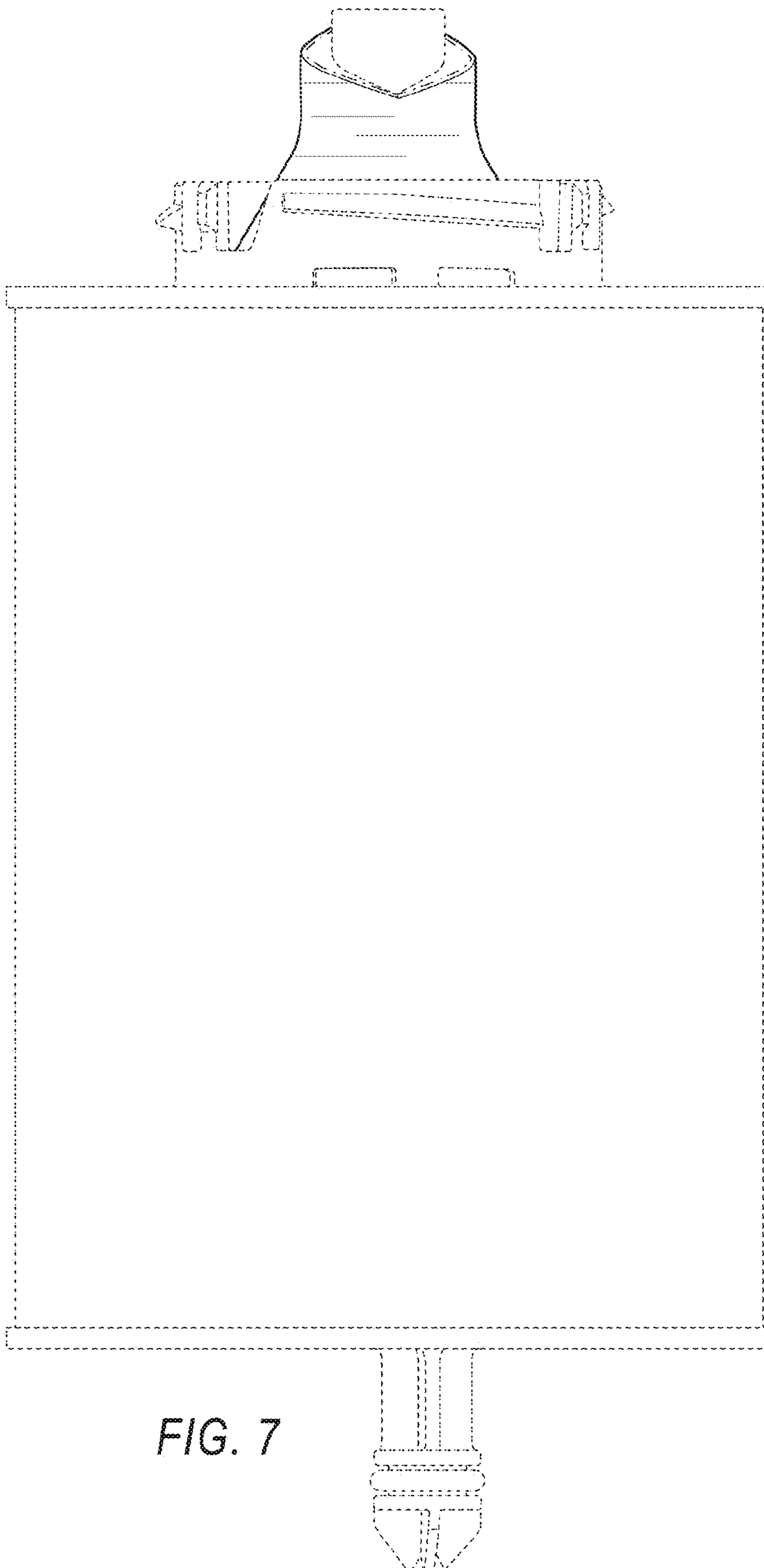


FIG. 7

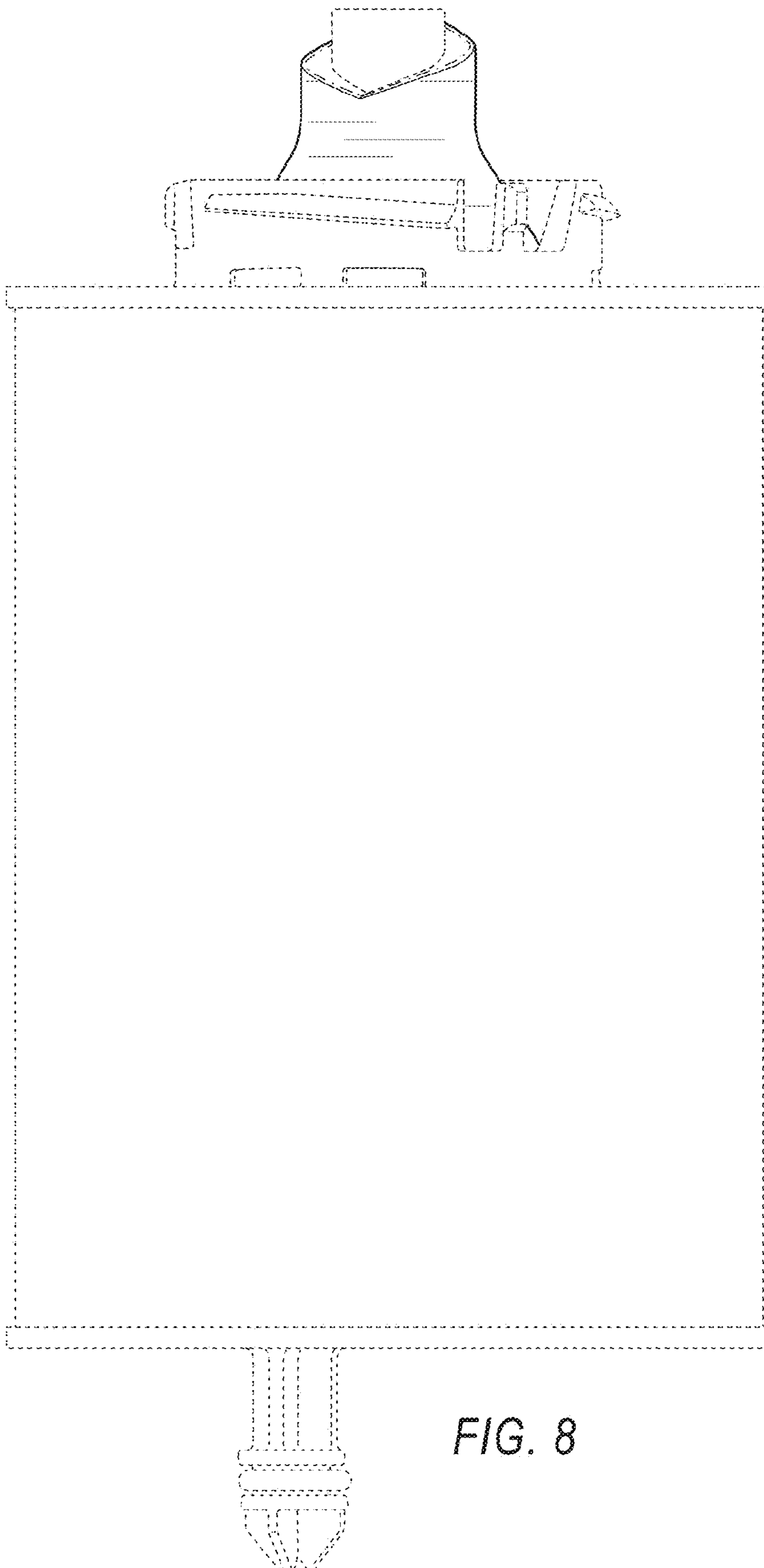


FIG. 8