

US00D964506S

(12) **United States Design Patent** (10) **Patent No.:** **US D964,506 S**  
**Shultz et al.** (45) **Date of Patent:** **\*\* Sep. 20, 2022**

(54) **FLUID HANDLING MODULE**  
(71) Applicant: **Graco Minnesota Inc.**, Minneapolis, MN (US)  
(72) Inventors: **Mark D. Shultz**, Fridley, MN (US); **Robert J. Gundersen**, Otsego, MN (US)  
(73) Assignee: **Graco Minnesota Inc.**, Minneapolis, MN (US)

D482,755 S \* 11/2003 Rhinehart ..... D23/207  
D486,882 S \* 2/2004 Riddell ..... D23/207  
D502,757 S \* 3/2005 Mork ..... D23/207  
D633,982 S \* 3/2011 Palmer ..... D23/209  
7,913,932 B2 \* 3/2011 Wu ..... A01M 7/0046  
239/288  
D643,506 S \* 8/2011 Miles ..... D23/207  
(Continued)

(\*\*) Term: **15 Years**

(21) Appl. No.: **29/771,640**

(22) Filed: **Feb. 24, 2021**

(51) **LOC (13) Cl.** ..... **23-01**

(52) **U.S. Cl.**  
USPC ..... **D23/207**

(58) **Field of Classification Search**  
USPC ..... D23/200, 206, 207, 208, 209, 210, 213,  
D23/233, 314, 324, 325, 328, 332, 333,  
D23/336, 351, 353, 355, 357  
CPC ... E04G 7/16; Y10T 403/30; Y10T 403/7105;  
Y10T 403/7158; F16L 29/02; F16L  
37/40; F16L 37/084; F16L 37/00; F16K  
15/188; F16K 15/181  
See application file for complete search history.

(56) **References Cited**

**U.S. PATENT DOCUMENTS**

4,026,801 A \* 5/1977 Ward ..... B01J 49/75  
210/140  
D333,505 S \* 2/1993 Matsumura ..... D23/200  
5,486,288 A \* 1/1996 Stanford ..... B01D 35/153  
210/235  
D439,950 S \* 4/2001 Fletcher ..... D23/207  
D446,840 S \* 8/2001 Strand ..... D23/209  
D481,442 S \* 10/2003 Liu ..... D23/209

**OTHER PUBLICATIONS**

KIPA Airless Spray Pump 248204 for Graco Sprayer, Oct. 2, 2018, amazon.ca, Jun. 16, 2022, URL: <https://www.amazon.ca/Airless-Spray-248204-Graco-Sprayer/dp/B0755F544L/> (Year: 2018).\*  
(Continued)

*Primary Examiner* — Keith J Wilson  
(74) *Attorney, Agent, or Firm* — Kinney & Lange, P.A.

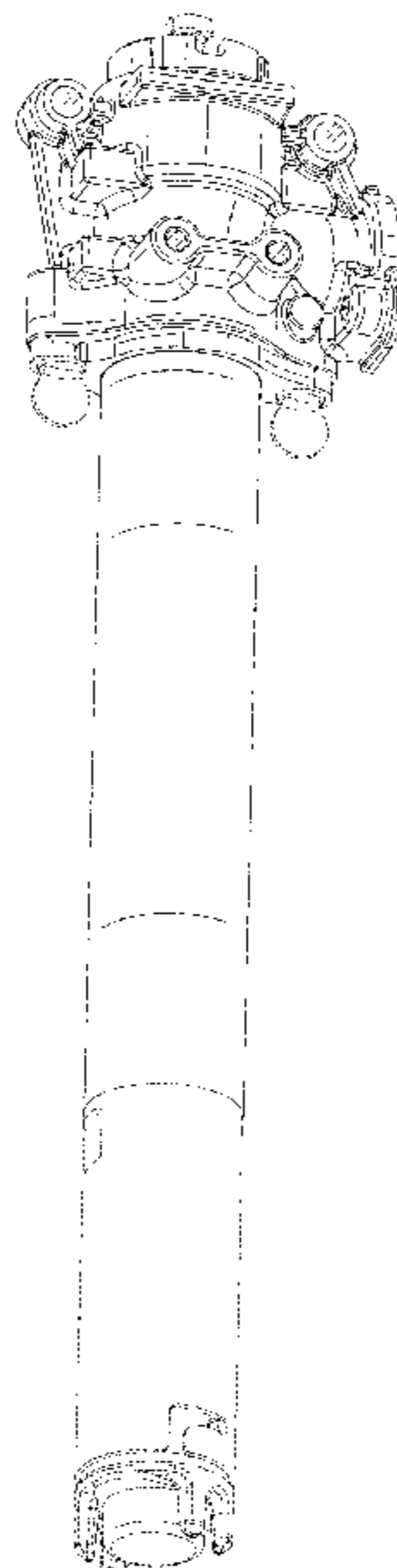
(57) **CLAIM**

The ornamental design for a fluid handling module, as shown and described.

**DESCRIPTION**

FIG. 1 is a first isometric view of a fluid handling module; FIG. 2 is a second isometric view of the fluid handling module; FIG. 3 is a front elevational view of the fluid handling module; FIG. 4 is a left side view of the fluid handling module; FIG. 5 is a rear elevational view of the fluid handling module; FIG. 6 is a right side view of the fluid handling module; FIG. 7 is a top plan view of the fluid handling module; and, FIG. 8 is a bottom plan view of the fluid handling module. The broken lines in the Figures represent portions of the fluid handling module and form no part of the claimed design.

**1 Claim, 8 Drawing Sheets**



(56)

**References Cited**

U.S. PATENT DOCUMENTS

D654,145 S \* 2/2012 Chatterjee ..... D23/207  
D682,387 S \* 5/2013 Tseng ..... D23/207  
D695,877 S \* 12/2013 Geisen ..... D23/207  
D754,630 S \* 4/2016 Paterson ..... D14/204  
D755,155 S \* 5/2016 Paterson ..... D14/204  
D790,508 S \* 6/2017 Lewis ..... D14/204  
D829,687 S \* 10/2018 Burlingame ..... D14/214  
D837,182 S \* 1/2019 Elmieh ..... D14/204  
D841,774 S \* 2/2019 Ghoshal ..... D23/207  
D841,775 S \* 2/2019 Ghoshal ..... D23/207  
D844,101 S \* 3/2019 Zheng ..... D23/207  
D848,399 S \* 5/2019 Burlingame ..... D14/221  
D854,509 S \* 7/2019 Wu ..... D14/168  
D855,151 S \* 7/2019 Joo ..... D23/207  
2018/0291911 A1 \* 10/2018 Ward ..... F04B 17/03

OTHER PUBLICATIONS

Graco 246775 Oil Universal Oil Pump, Nov. 5, 2016, amazon.ca,  
Jun. 16, 2022, URL: <https://www.amazon.ca/Graco-246775-Oil-Universal-Pump/dp/B01LZ0MABA/> (Year: 2016).\*

\* cited by examiner

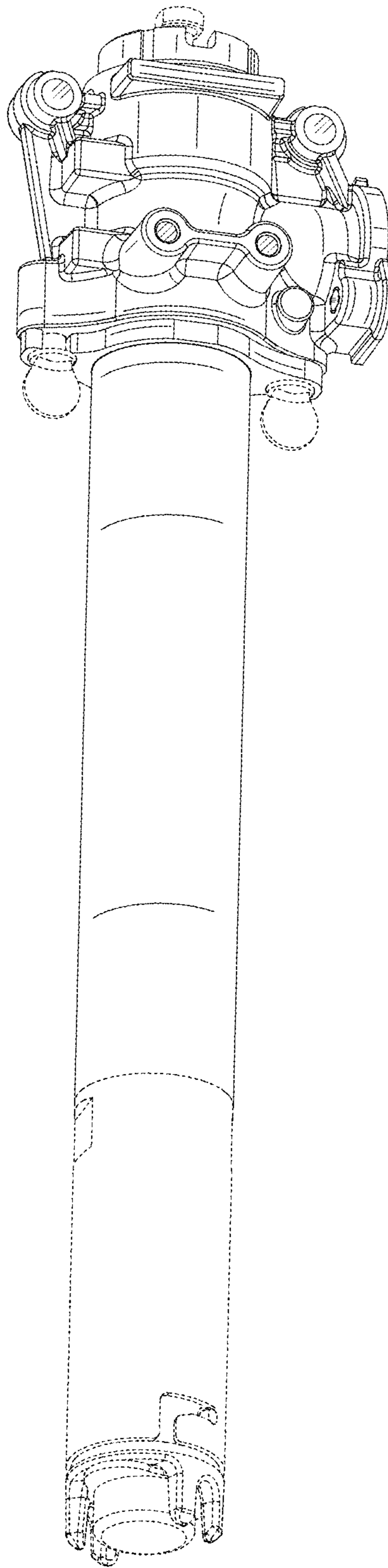


Fig. 1

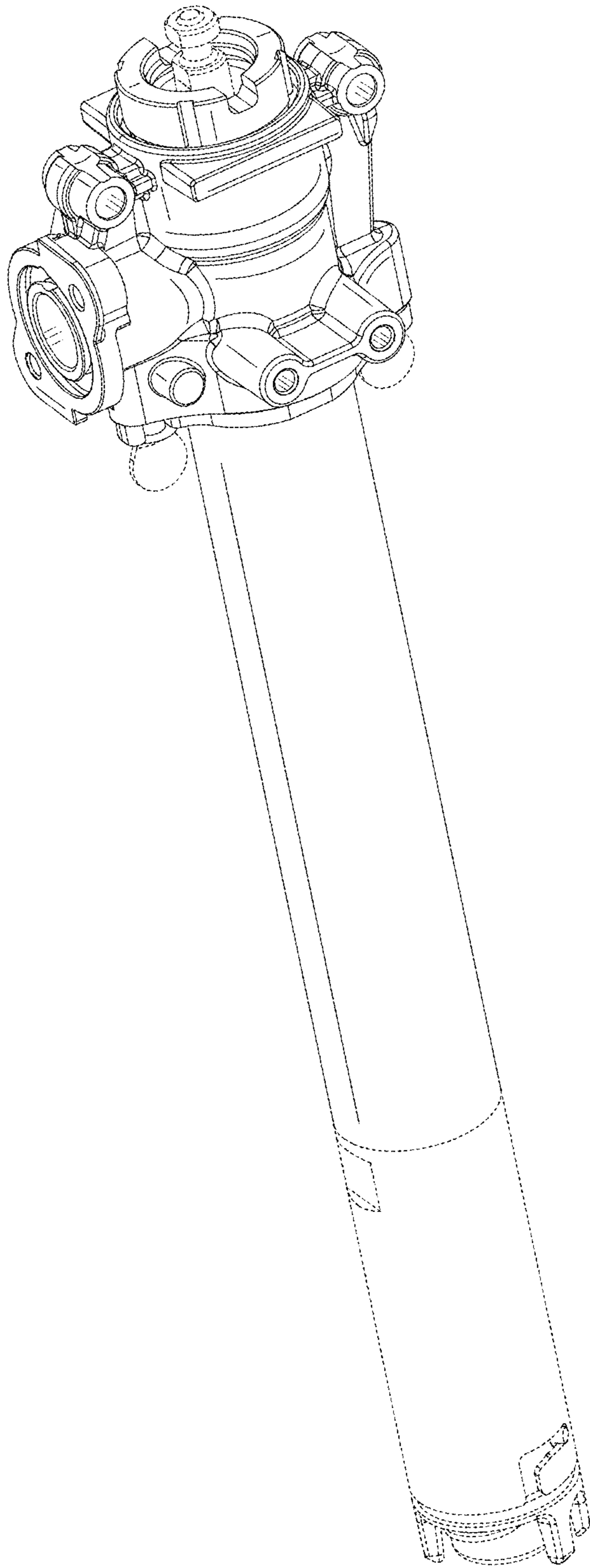


Fig. 2

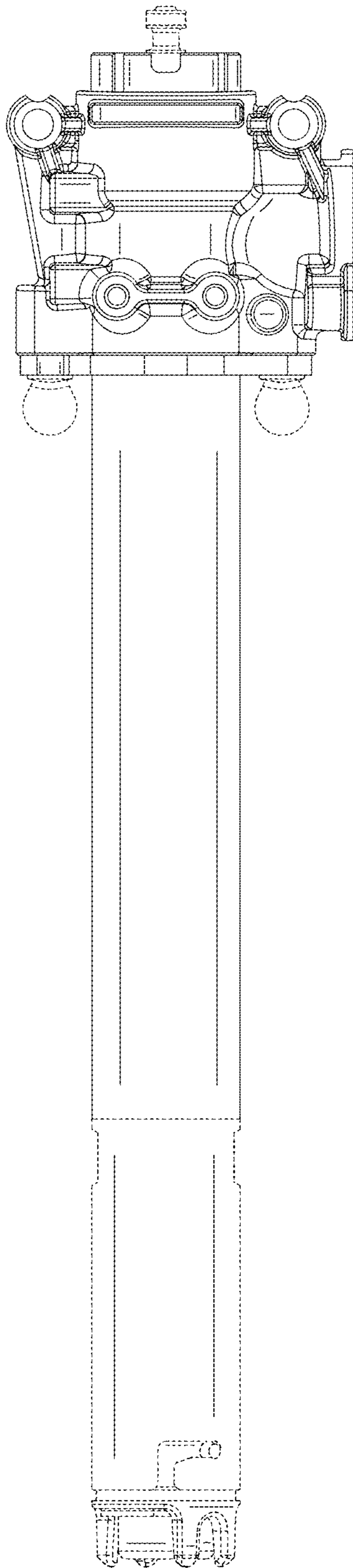


Fig. 3

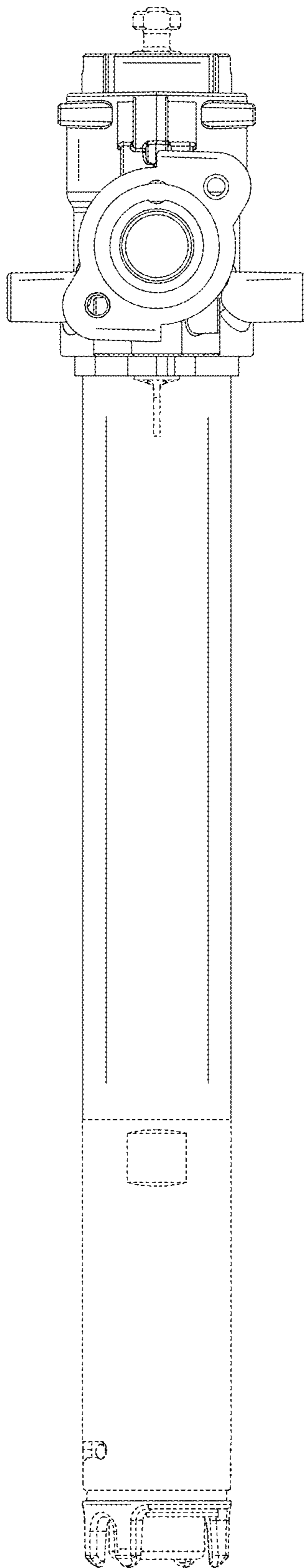


Fig. 4

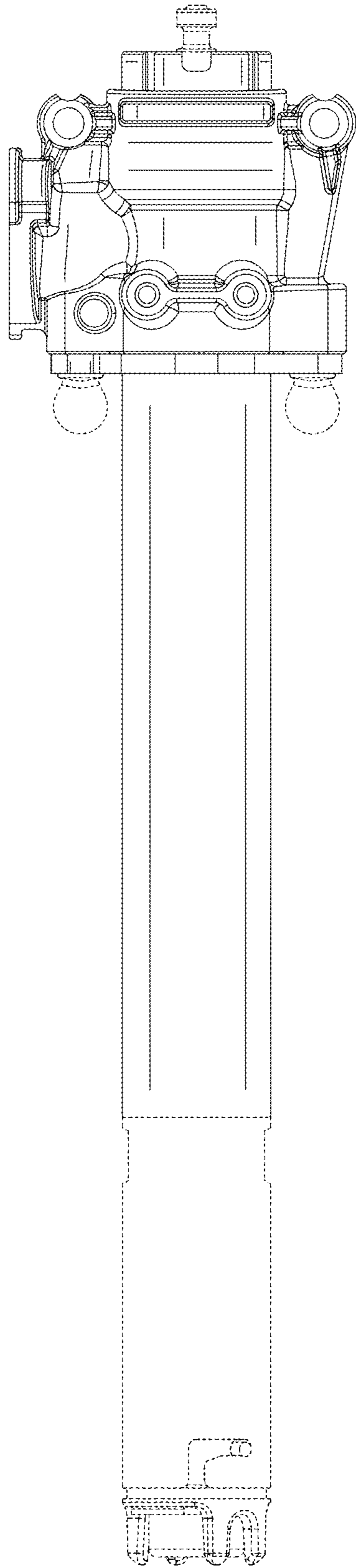


Fig. 5

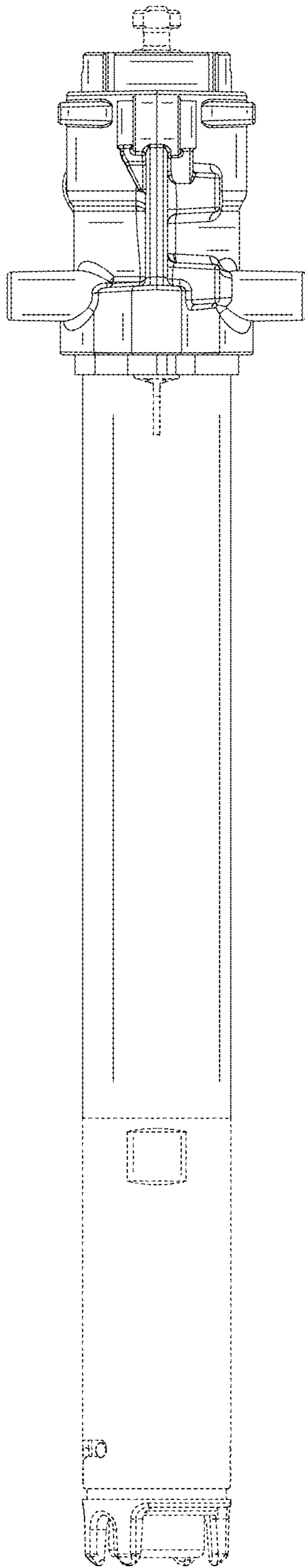


Fig. 6



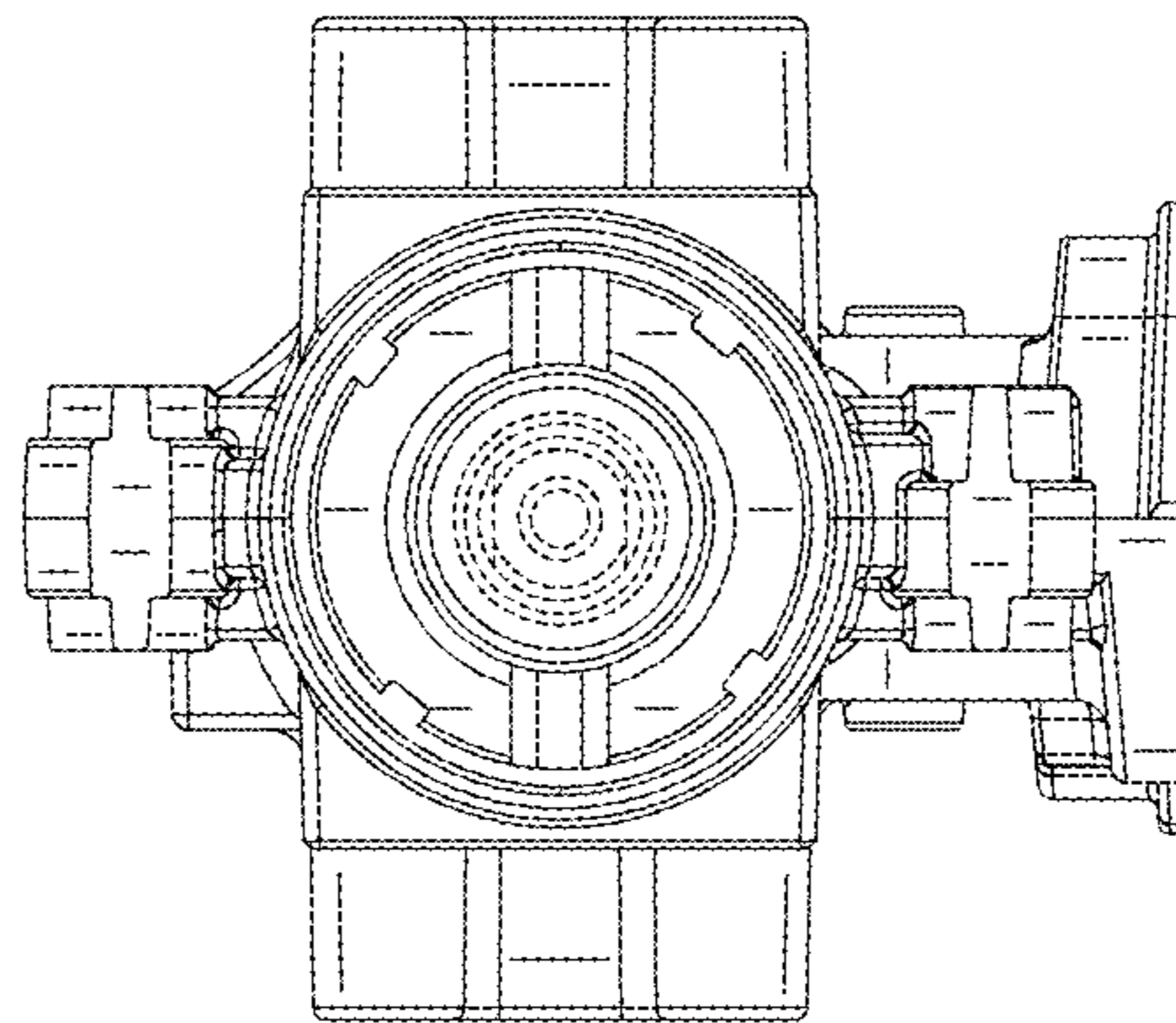


Fig. 7

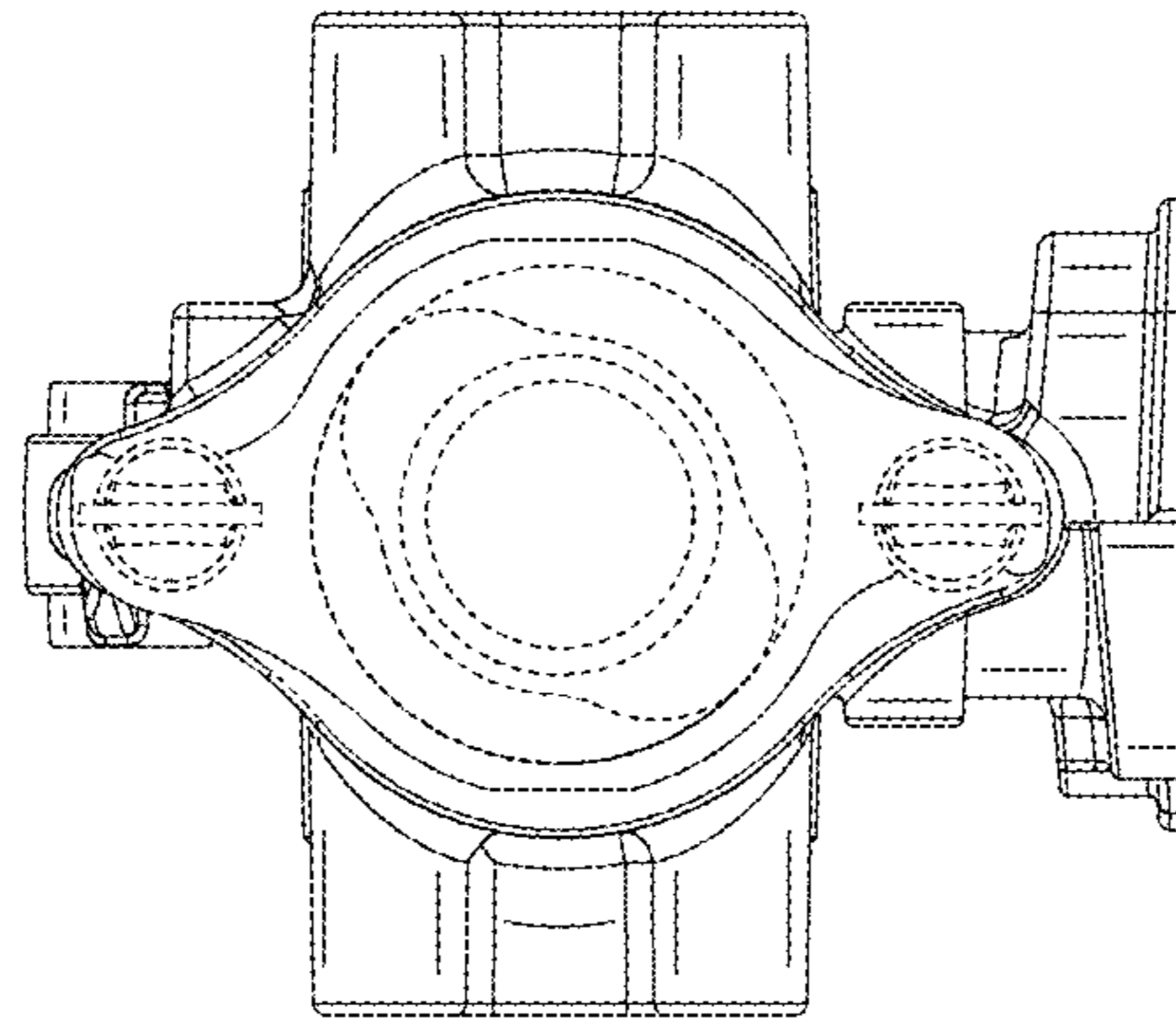


Fig. 8