

US00D964505S

(12) **United States Design Patent**
Landreville

(10) **Patent No.:** **US D964,505 S**

(45) **Date of Patent:** **** Sep. 20, 2022**

(54) **GRIP HANDLE FOR A BAIT CASTING FISHING ROD**

(71) Applicant: **Bob Landreville**, Walker, MN (US)

(72) Inventor: **Bob Landreville**, Walker, MN (US)

(**) Term: **15 Years**

(21) Appl. No.: **29/750,852**

(22) Filed: **Sep. 16, 2020**

(51) **LOC (13) Cl.** **22-05**

(52) **U.S. Cl.**
USPC **D22/142**

(58) **Field of Classification Search**
USPC D22/137, 139-140, 142
CPC A01K 87/00; A01K 87/08; A01K 97/00
See application file for complete search history.

(56) **References Cited**

U.S. PATENT DOCUMENTS

2,084,931 A	6/1937	Williams	
2,149,837 A	3/1939	Browne	
2,158,396 A	5/1939	Birstock	
2,283,816 A	5/1942	Loutrel	
4,334,378 A	6/1982	Worth	
D283,720 S	5/1986	Benit	
4,653,215 A	3/1987	Strader	
4,654,996 A	4/1987	Gieselman	
D290,384 S *	6/1987	McNeil	D22/142
D295,211 S *	4/1988	Moody	D22/142
4,793,087 A	12/1988	McGee	
D299,513 S	1/1989	Andreasen et al.	
D299,736 S	2/1989	Andreasen et al.	
D300,768 S	4/1989	Andreasen et al.	
D318,899 S	7/1991	Ohmura	
D336,326 S *	6/1993	Chapman	D22/142
D347,878 S *	6/1994	Grice	A01K 87/08 D22/142
5,363,586 A	11/1994	Balkenbush	

D356,623 S	3/1995	Balkenbush	
D357,968 S	5/1995	Ohmura	
5,992,079 A	11/1999	Michels et al.	
D494,656 S	7/2004	Hudman	
7,854,086 B2	12/2010	Huynh	
7,980,018 B2	7/2011	Selfors	
D804,606 S	12/2017	Stanek et al.	
9,844,213 B1	12/2017	Olsen	
2006/0101702 A1	5/2006	LaCoste	
2006/0230669 A1 *	10/2006	Markley	A01K 87/08 43/25
2018/0020649 A1 *	1/2018	Kotarsky	A01K 87/08 43/23
2019/0059345 A1 *	2/2019	Flinsky	A01K 87/08
2022/0007626 A1 *	1/2022	Wenzhi	A01K 87/08

* cited by examiner

Primary Examiner — Catherine R Oliver-Garcia
(74) *Attorney, Agent, or Firm* — Antonio Papageorgiou, Esq; Lombard Geliebter LLP

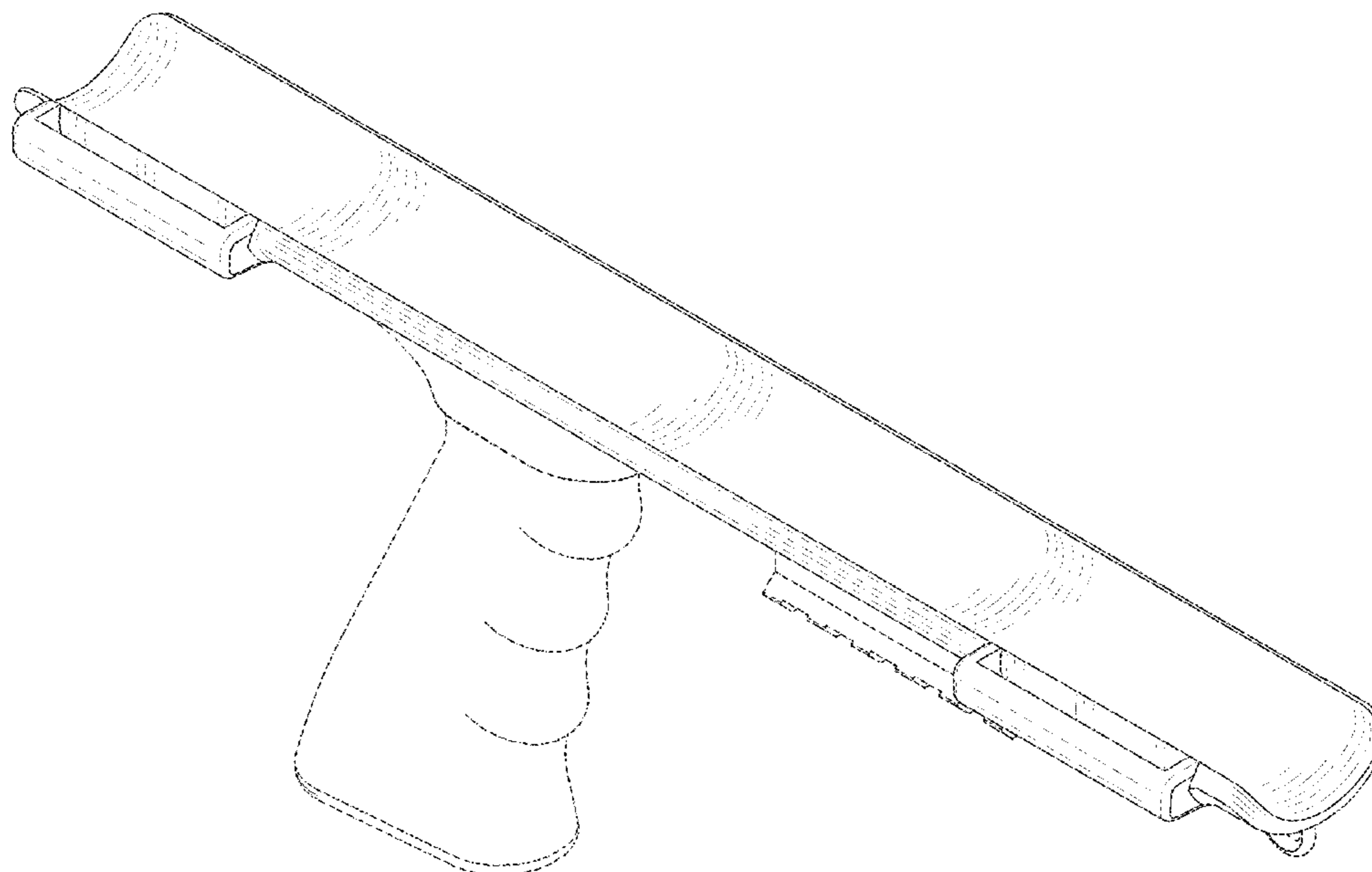
(57) **CLAIM**

The ornamental design for grip handle for a bait casting fishing rod, as shown and described.

DESCRIPTION

FIG. 1 is a perspective view of one side and the front of the grip handle for a bait casting fishing rod showing my new design;
FIG. 2 is a front view thereof;
FIG. 3 is a rear view thereof;
FIG. 4 is a left side view thereof;
FIG. 5 is a right side view thereof;
FIG. 6 is a top view thereof; and,
FIG. 7 is a bottom view thereof.
The broken lines shown represent portions of the grip handle for a bait casting fishing rod that form no part of the claimed design.

1 Claim, 7 Drawing Sheets



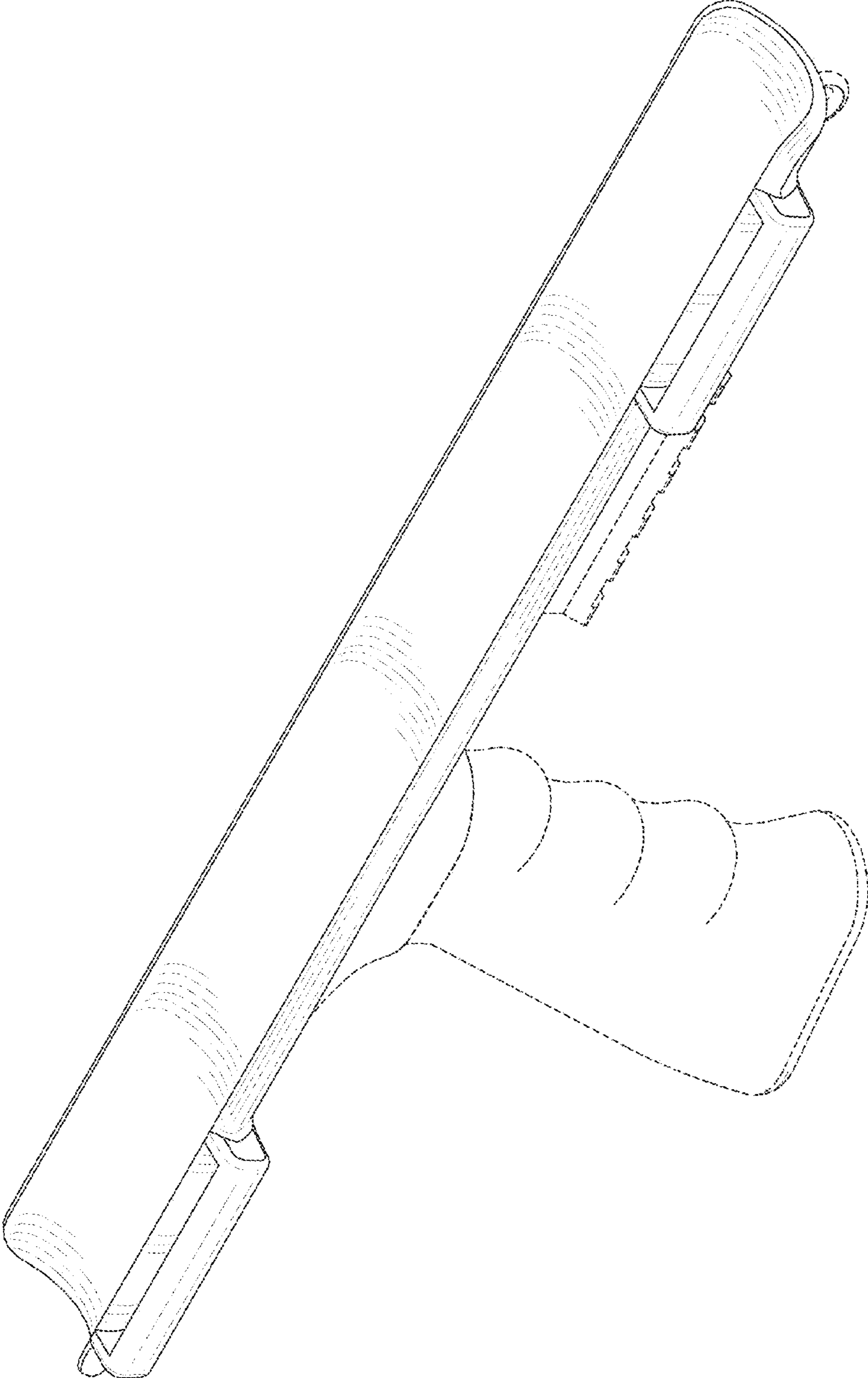


FIG. 1

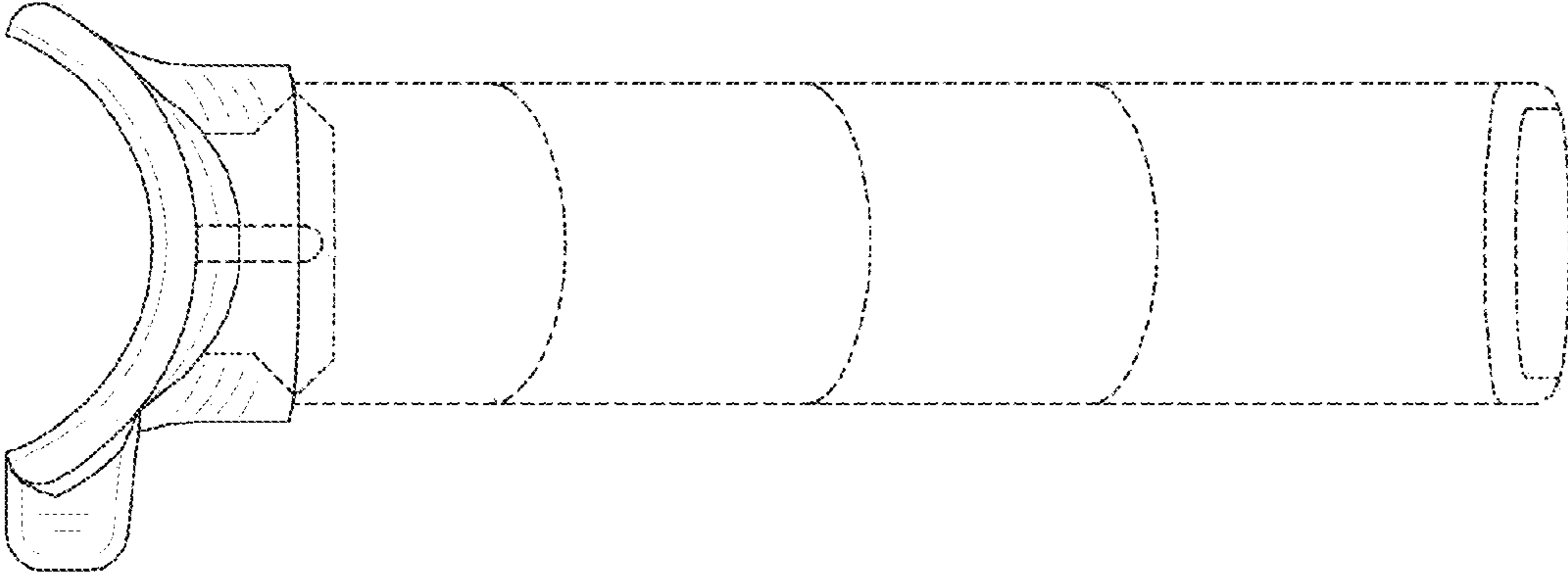


FIG. 2

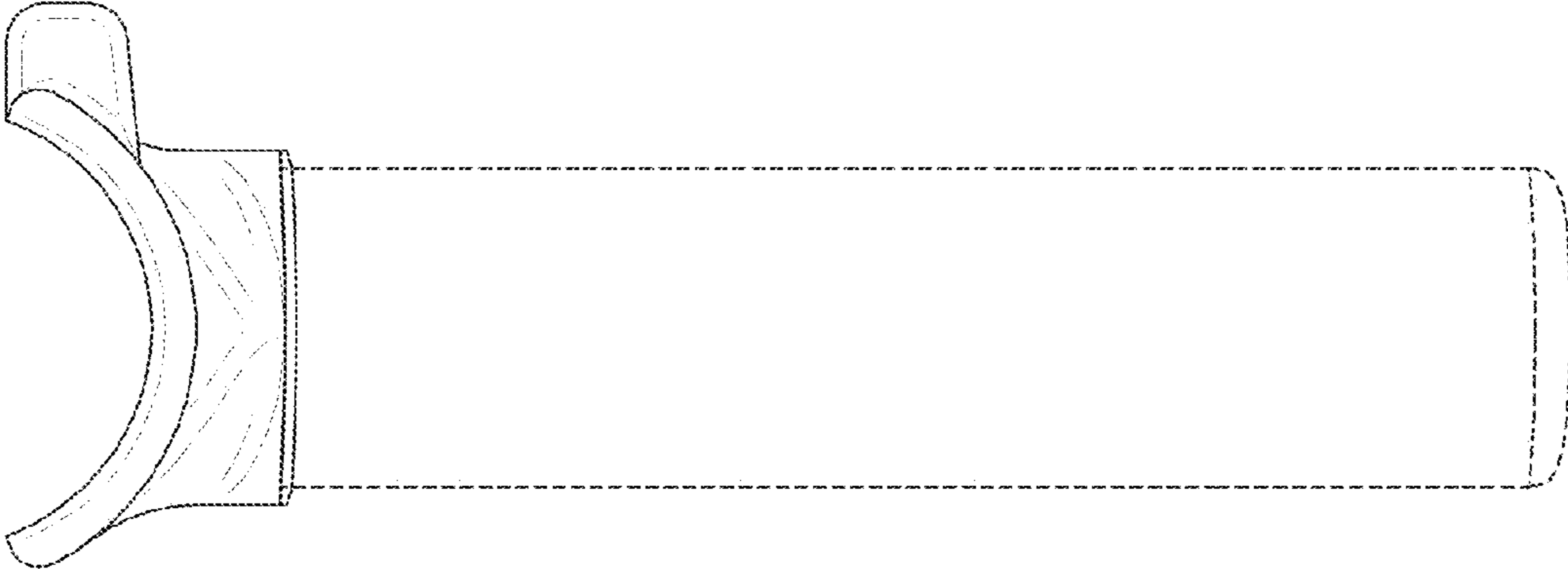


FIG. 3

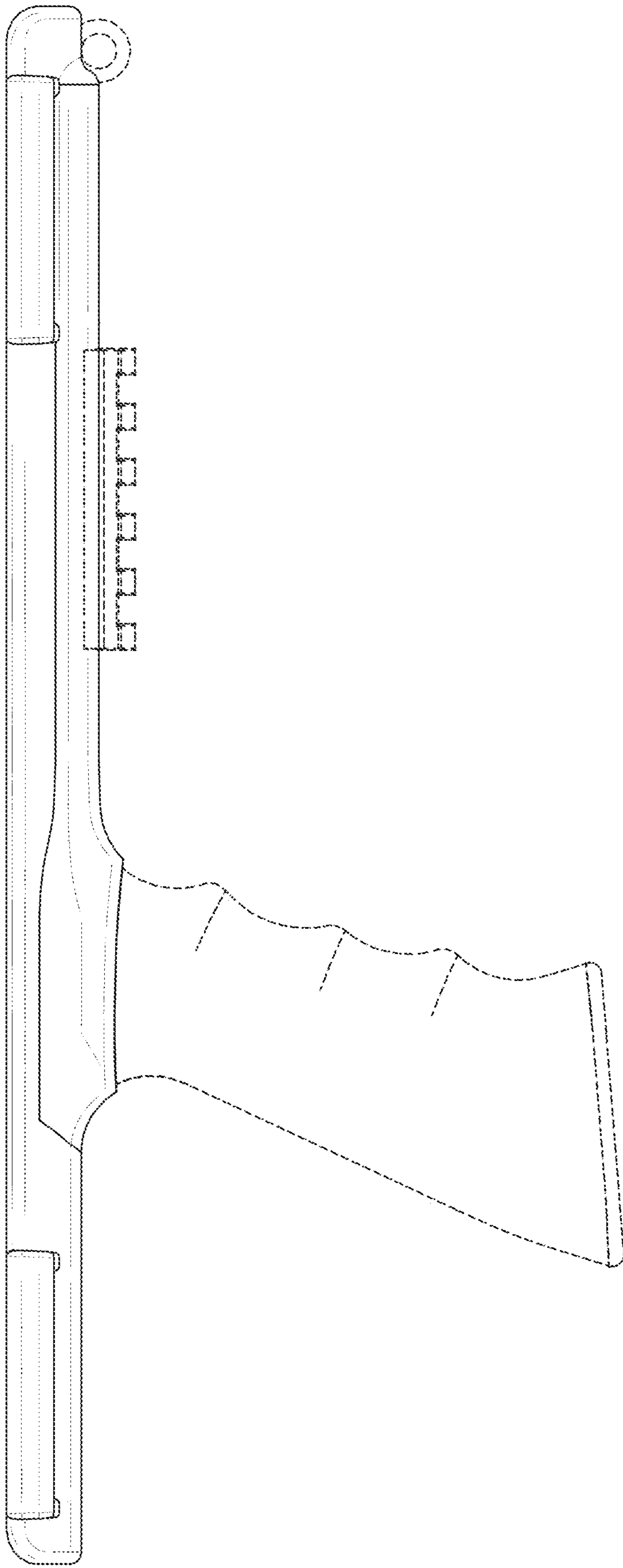


FIG. 4

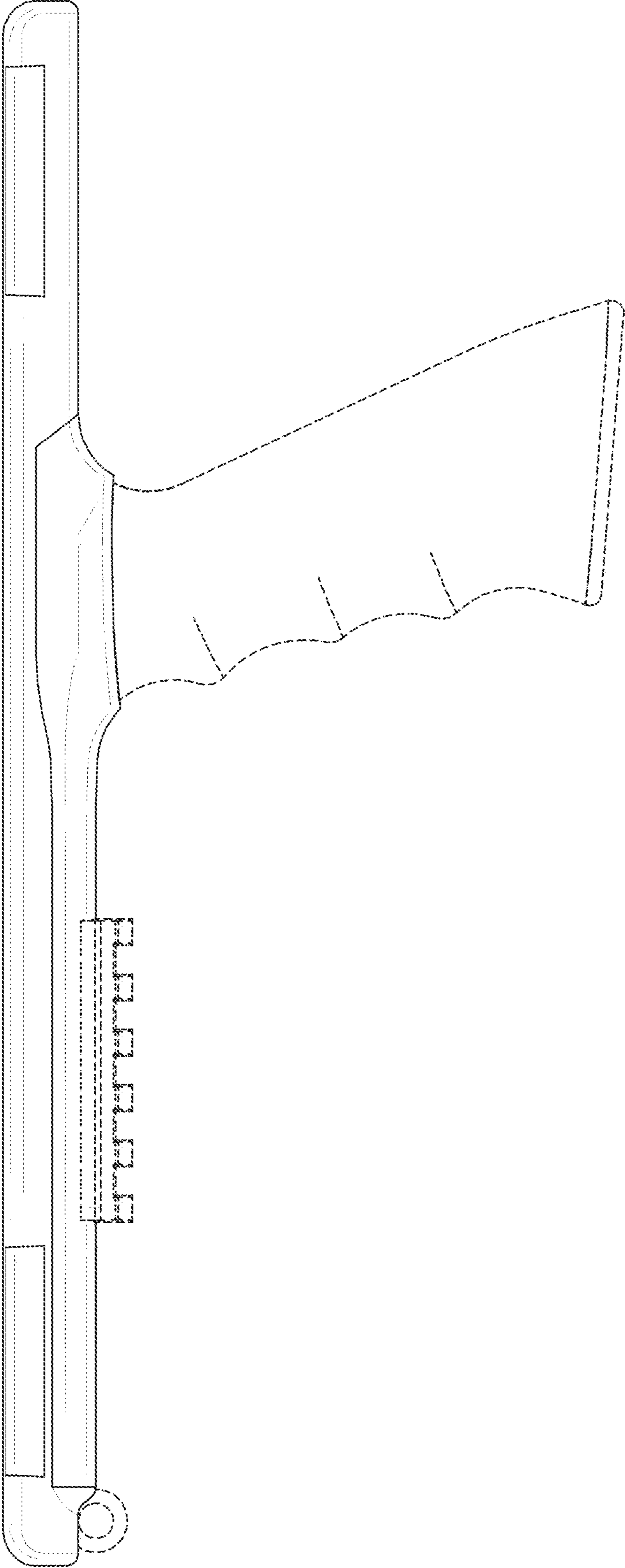


FIG. 5

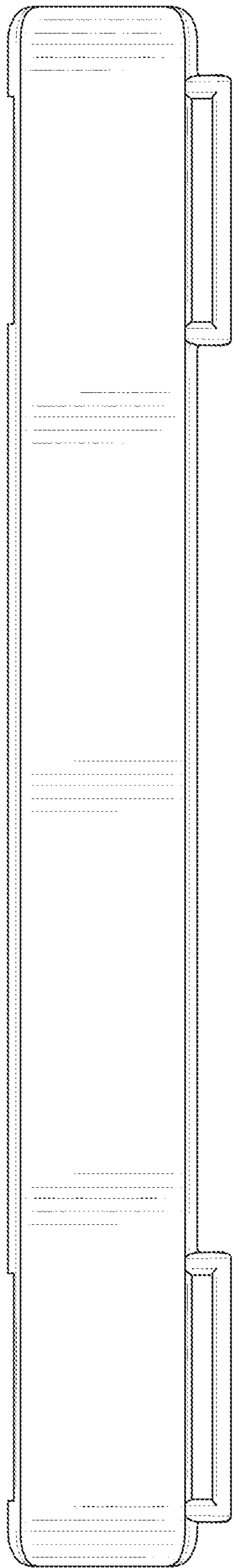


FIG. 6

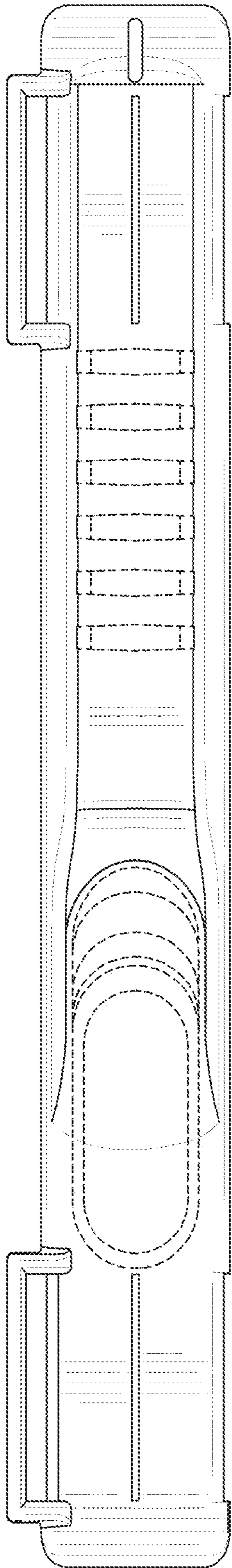


FIG. 7