



US00D964504S

(12) **United States Design Patent** (10) **Patent No.:** **US D964,504 S**
Landreville (45) **Date of Patent:** **** Sep. 20, 2022**

(54) **GRIP HANDLE FOR A SPIN CASTING FISHING ROD**
(71) Applicant: **Bob Landreville**, Walker, MN (US)
(72) Inventor: **Bob Landreville**, Walker, MN (US)
(**) Term: **15 Years**
(21) Appl. No.: **29/750,851**
(22) Filed: **Sep. 16, 2020**
(51) **LOC (13) Cl.** **22-05**
(52) **U.S. Cl.**
USPC **D22/142**
(58) **Field of Classification Search**
USPC D22/137, 139-140
CPC A01K 87/00; A01K 87/08; A01K 97/00
See application file for complete search history.

D356,623 S 3/1995 Balkenbush
D357,968 S 5/1995 Ohmura
5,992,079 A 11/1999 Michels et al.
D494,656 S 7/2004 Hudman
7,854,086 B2 12/2010 Huynh
7,980,018 B2 7/2011 Selfors
D804,606 S 12/2017 Stanek et al.
9,844,213 B1 12/2017 Olsen
2006/0101702 A1 5/2006 LaCoste
2006/0230669 A1* 10/2006 Markley A01K 87/08
43/25
2018/0020649 A1* 1/2018 Kotarsky A01K 87/08
43/23
2019/0059345 A1* 2/2019 Flinsky A01K 87/08
2022/0007626 A1* 1/2022 Wenzhi A01K 87/08

* cited by examiner

Primary Examiner — Catherine R Oliver-Garcia
(74) *Attorney, Agent, or Firm* — Antonio Papageorgiou, Esq.; Lombard Geliebter LLP

(56) **References Cited**

U.S. PATENT DOCUMENTS

2,084,931 A 6/1937 Williams
2,149,837 A 3/1939 Browne
2,158,396 A 5/1939 Birnstock
2,283,816 A 5/1942 Loutrel
4,334,378 A 6/1982 Worth
D283,720 S 5/1986 Benit
4,653,215 A 3/1987 Strader
4,654,996 A 4/1987 Gieselman
D290,384 S * 6/1987 McNeil D22/142
D295,211 S * 4/1988 Moody D22/142
4,793,087 A 12/1988 McGee
D299,513 S 1/1989 Andreassen et al.
D299,736 S 2/1989 Andreason et al.
D300,768 S 4/1989 Andreason et al.
D318,899 S 7/1991 Ohmura
D336,326 S * 6/1993 Chapman D22/142
D347,878 S * 6/1994 Grice A01K 87/08
D22/142
5,363,586 A 11/1994 Balkenbush

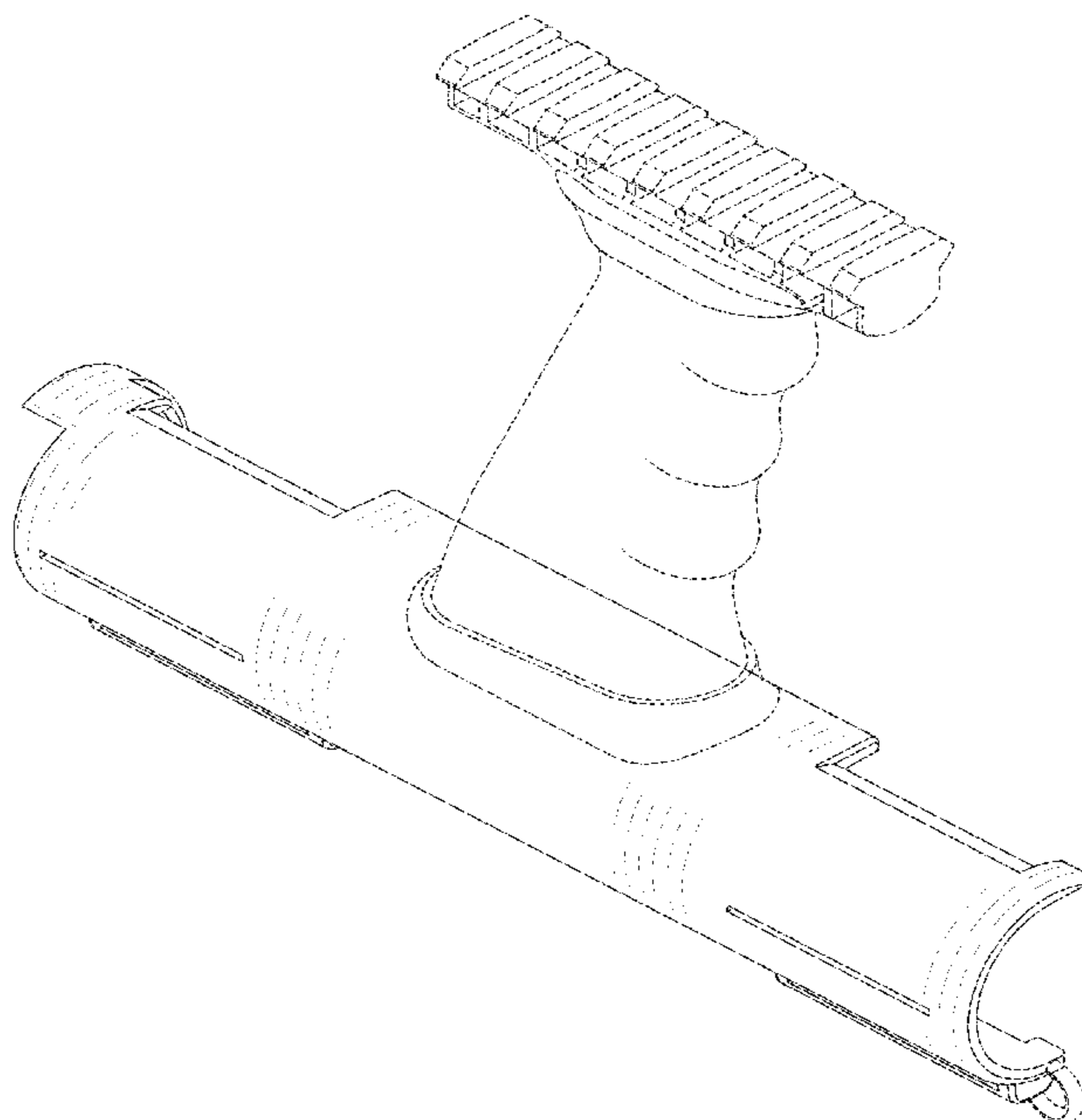
(57) **CLAIM**

The ornamental design for grip handle for a spin casting fishing rod, as shown and described.

DESCRIPTION

FIG. 1 is a perspective view of one side and the front of the grip handle for a spin casting fishing rod showing my new design;
FIG. 2 is a front view thereof;
FIG. 3 is a rear view thereof;
FIG. 4 is a left side view thereof;
FIG. 5 is a right side view thereof;
FIG. 6 is a top view thereof; and,
FIG. 7 is a bottom view thereof.
The broken lines shown represent portions of the grip handle for a spin casting fishing rod that form no part of the claimed design.

1 Claim, 7 Drawing Sheets



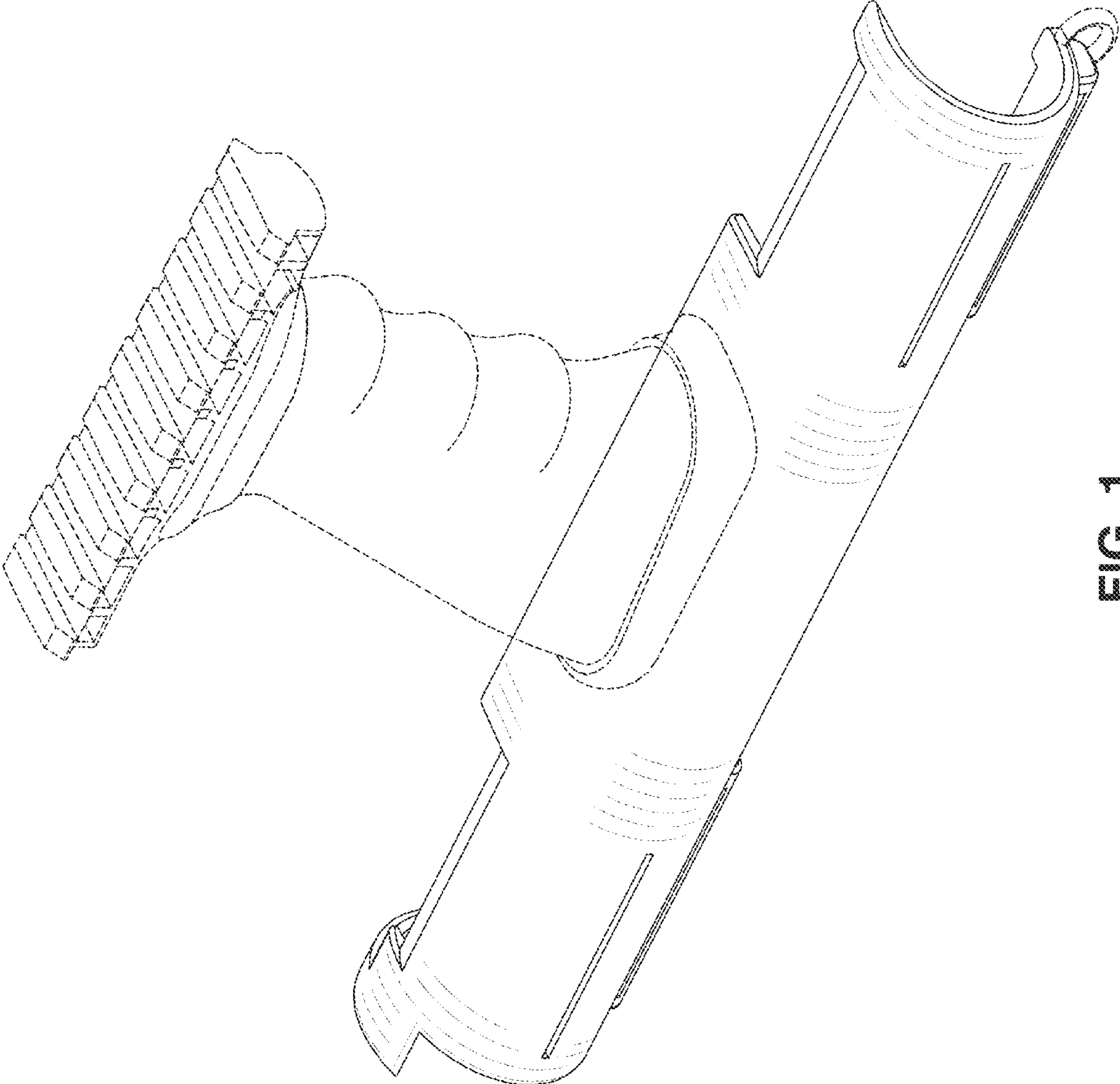


FIG. 1

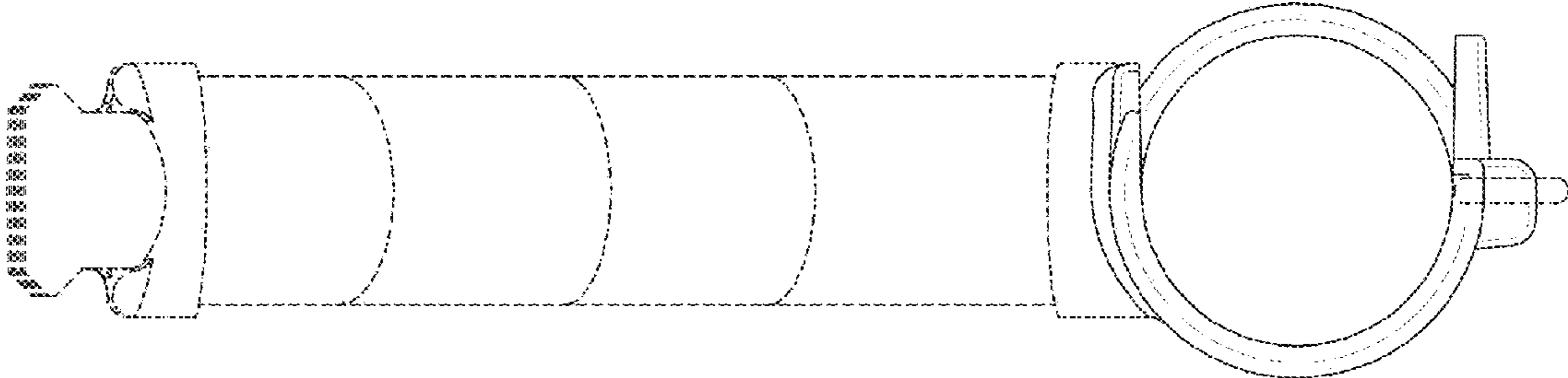


FIG. 2

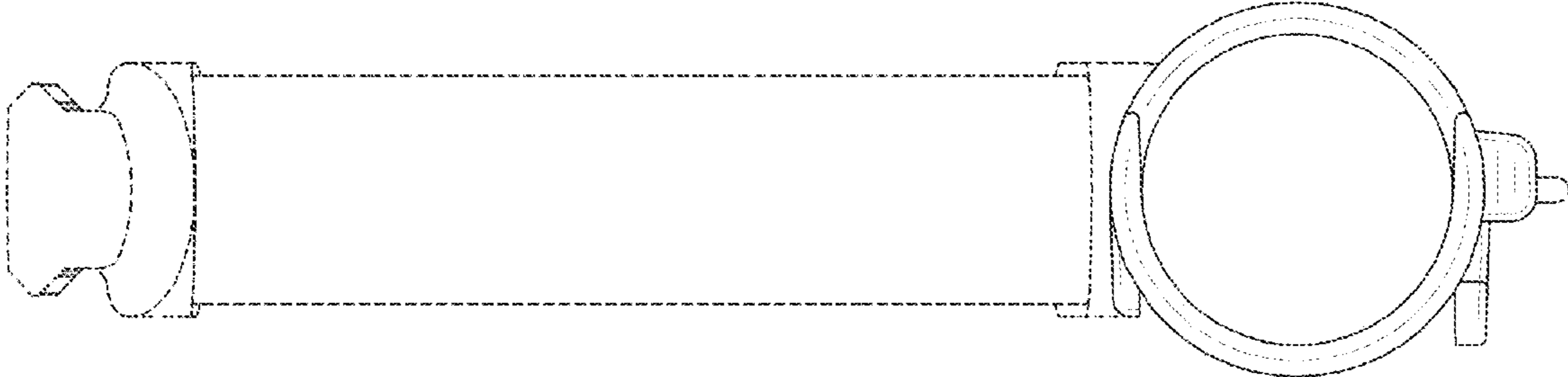


FIG. 3

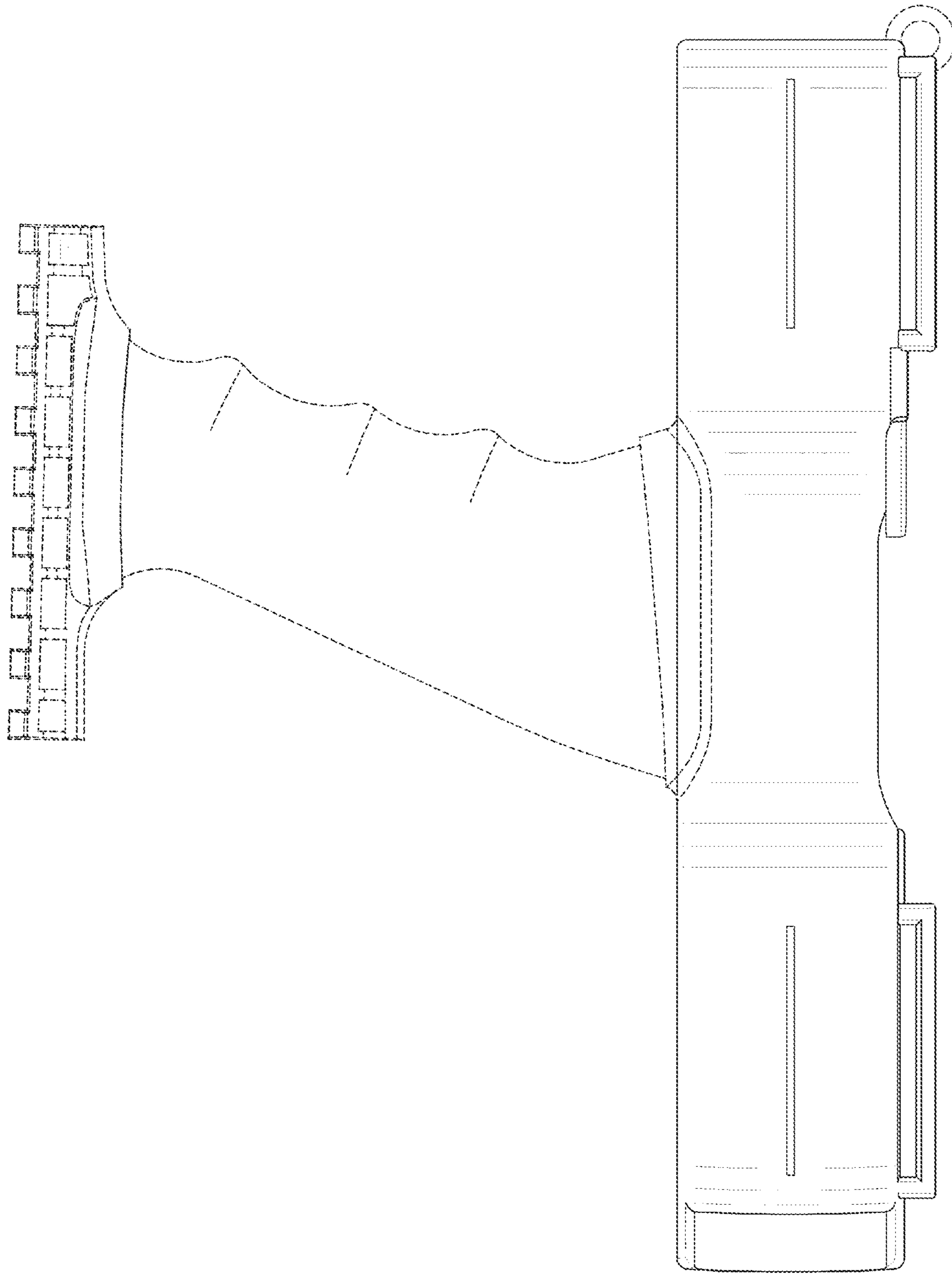


FIG. 4

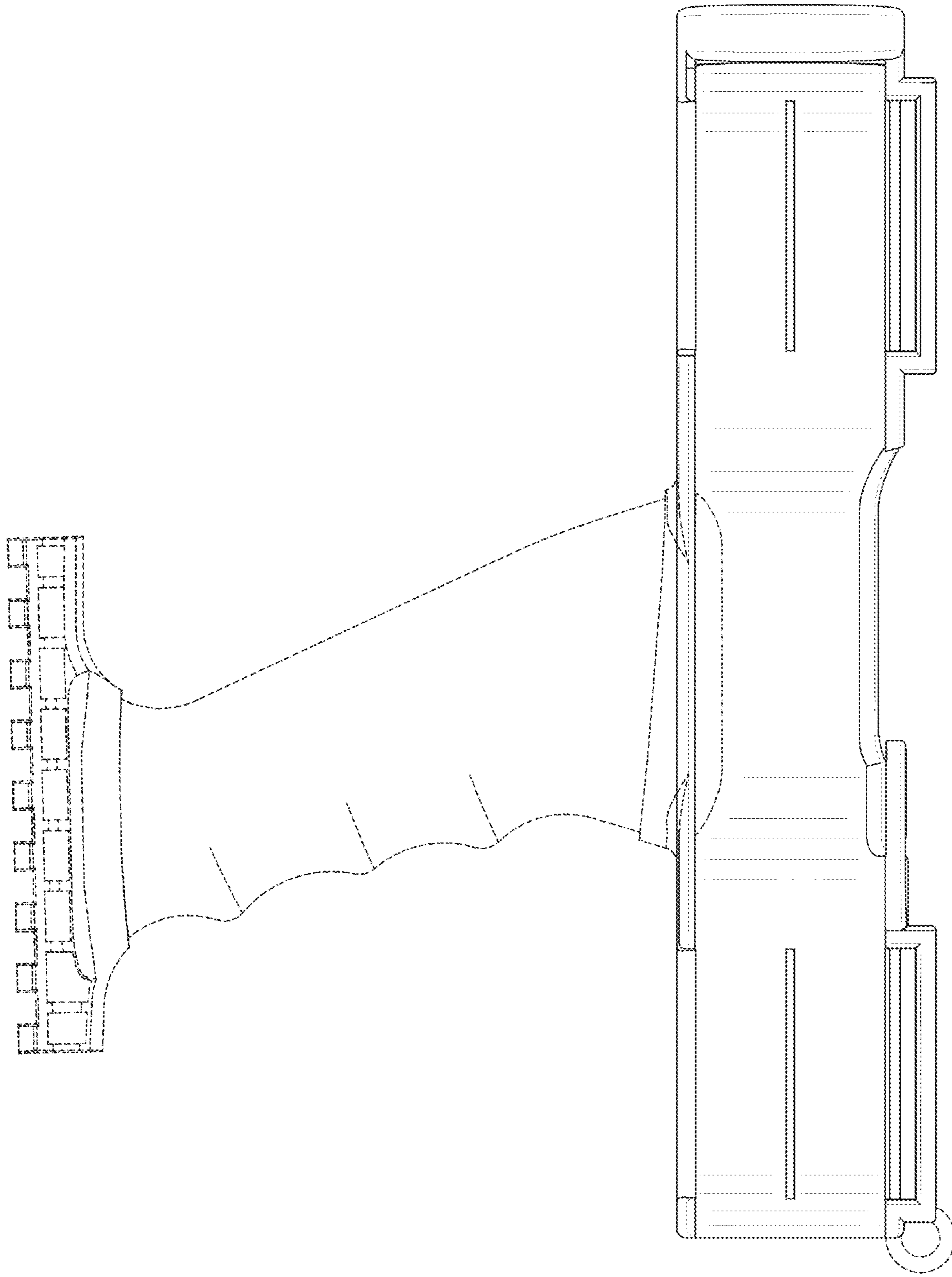


FIG. 5

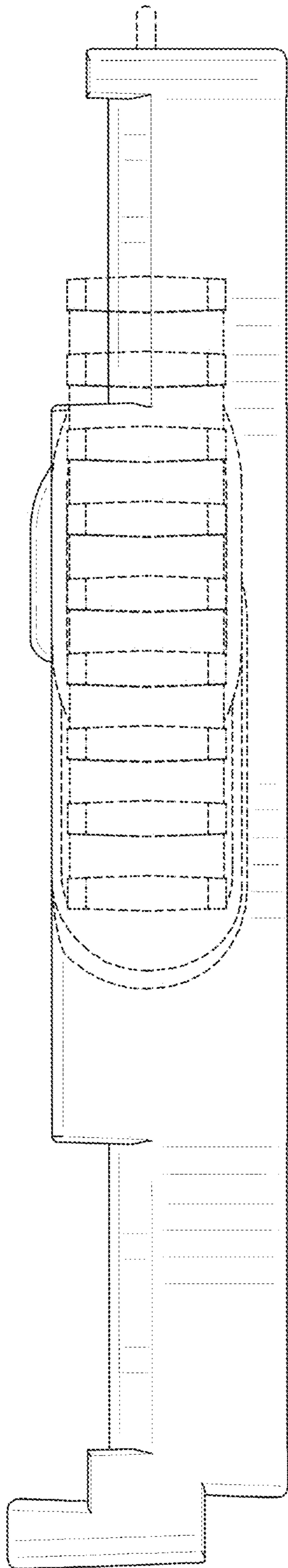


FIG. 6

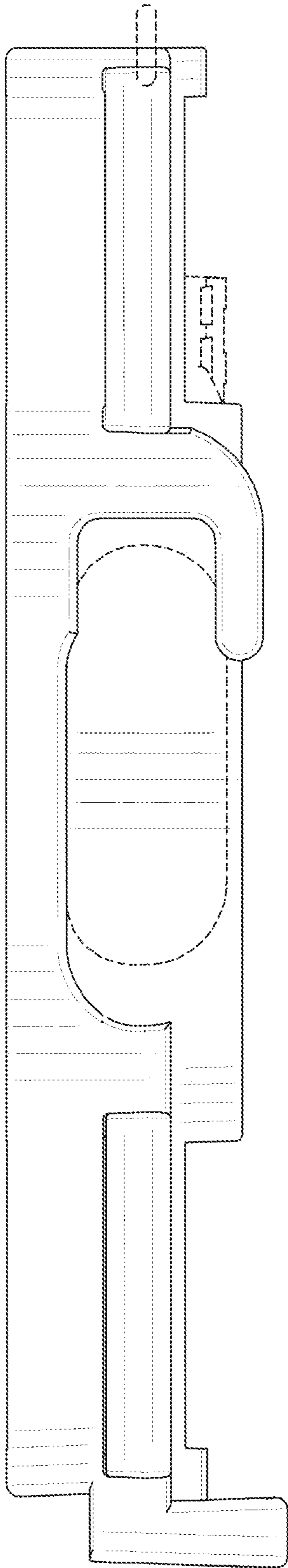


FIG. 7