



US00D964503S

(12) **United States Design Patent** (10) **Patent No.:** **US D964,503 S**  
**Cunic** (45) **Date of Patent:** **\*\* Sep. 20, 2022**

(54) **STRIKE INDICATOR**

(71) Applicant: **Stephen William Cunic**, Bethlehem, PA (US)

(72) Inventor: **Stephen William Cunic**, Bethlehem, PA (US)

(\*\*) Term: **15 Years**

(21) Appl. No.: **29/709,198**

(22) Filed: **Oct. 11, 2019**

(51) **LOC (13) Cl.** ..... **22-05**

(52) **U.S. Cl.**  
USPC ..... **D22/134**

(58) **Field of Classification Search**  
USPC ..... D22/134, 138–139, 145–146  
(Continued)

(56) **References Cited**

U.S. PATENT DOCUMENTS

2,237,540 A \* 4/1941 Asprer ..... A01K 95/00  
43/44.9  
5,575,104 A \* 11/1996 Wilding ..... A01K 85/01  
206/315.11

(Continued)

*Primary Examiner* — Catherine R Oliver-Garcia

(74) *Attorney, Agent, or Firm* — Design IP

(57) **CLAIM**

The ornamental design for a strike indicator, as shown and described.

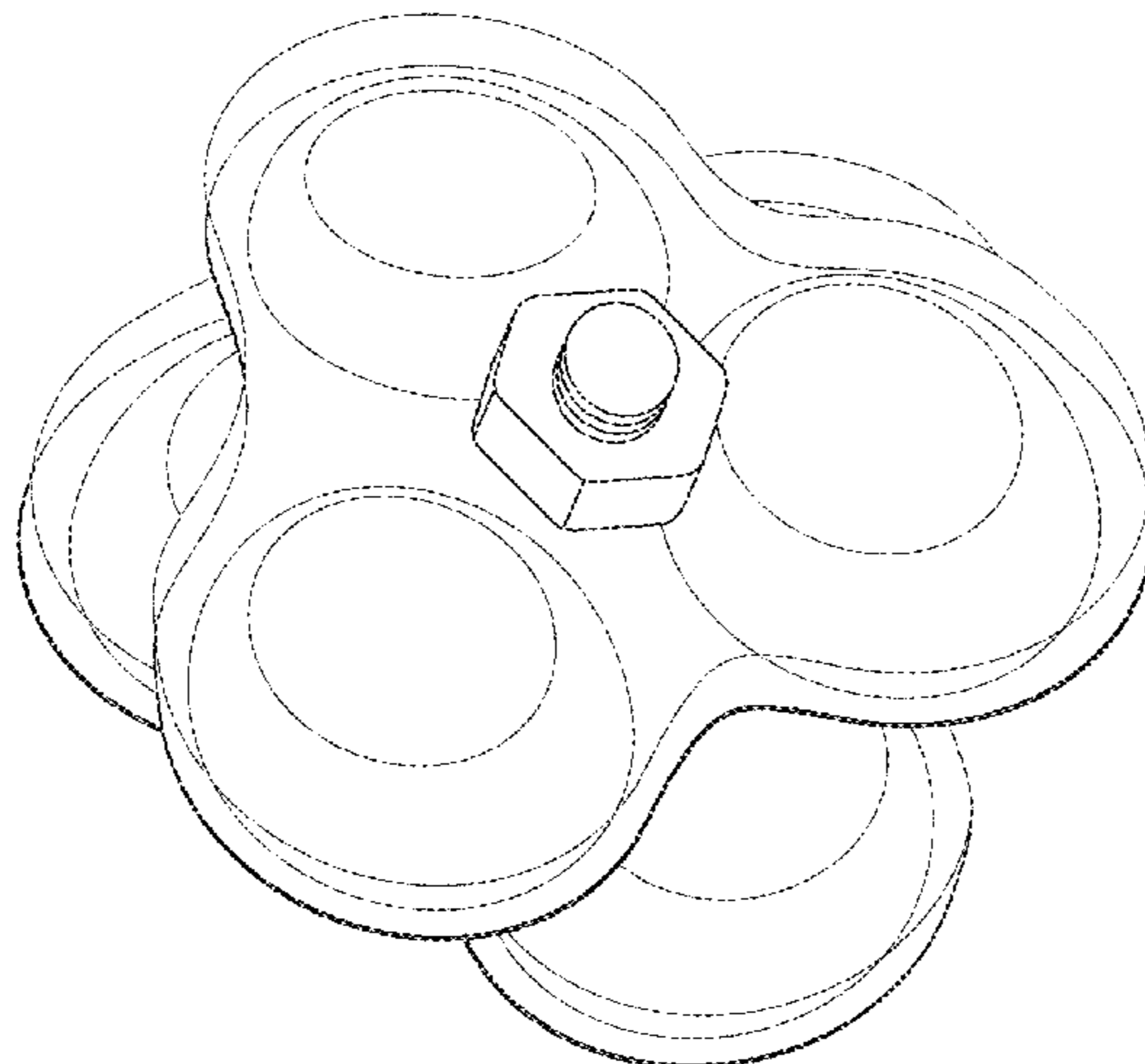
**DESCRIPTION**

FIG. 1 is a top perspective view of a first embodiment of a strike indicator showing my new design;  
FIG. 2 is a bottom perspective view thereof;  
FIG. 3 is a front view thereof;  
FIG. 4 is a rear view thereof;  
FIG. 5 is a left side view thereof;

FIG. 6 is a right side view thereof;  
FIG. 7 is a top view thereof;  
FIG. 8 is a bottom view thereof;  
FIG. 9 is a top perspective view of a second embodiment of a strike indicator showing my new design;  
FIG. 10 is a bottom perspective view thereof;  
FIG. 11 is a front view thereof;  
FIG. 12 is a rear view thereof;  
FIG. 13 is a left side view thereof;  
FIG. 14 is a right side view thereof;  
FIG. 15 is a top view thereof;  
FIG. 16 is a bottom view thereof;  
FIG. 17 is a top perspective view of a third embodiment of a strike indicator showing my new design;  
FIG. 18 is a bottom perspective view thereof;  
FIG. 19 is a front view thereof;  
FIG. 20 is a rear view thereof;  
FIG. 21 is a left side view thereof;  
FIG. 22 is a right side view thereof;  
FIG. 23 is a top view thereof;  
FIG. 24 is a bottom view thereof;  
FIG. 25 is a top perspective view of a fourth embodiment of a strike indicator assembly showing my new design;  
FIG. 26 is a bottom perspective view thereof;  
FIG. 27 is a front view thereof;  
FIG. 28 is a rear view thereof;  
FIG. 29 is a left side view thereof;  
FIG. 30 is a right side view thereof;  
FIG. 31 is a top view thereof;  
FIG. 32 is a bottom view thereof;  
FIG. 33 is a top perspective view of a fifth embodiment of a strike indicator assembly showing my new design;  
FIG. 34 is a bottom perspective view thereof;  
FIG. 35 is a front view thereof;  
FIG. 36 is a rear view thereof;  
FIG. 37 is a left side view thereof;  
FIG. 38 is a right side view thereof;  
FIG. 39 is a top view thereof; and,  
FIG. 40 is a bottom view thereof.

The fourth embodiment shows the strike indicator of the first embodiment with a line-retaining shaft installed thereon.  
The fifth embodiment shows the strike indicator of the first

(Continued)



embodiment stacked atop the strike indicator of the second embodiment with a line-retaining shaft installed thereon.

**1 Claim, 40 Drawing Sheets**

**(58) Field of Classification Search**

CPC ..... A01K 77/00; A01K 87/06; A01K 87/08;  
A01K 97/06; A01K 97/12

See application file for complete search history.

**(56) References Cited**

U.S. PATENT DOCUMENTS

7,797,877	B1	9/2010	Bennis	
7,963,065	B1 *	6/2011	Copeland .....	A01K 97/12 43/17
8,365,459	B2	2/2013	Bennis	
8,720,105	B2	5/2014	Schoenike	
8,756,855	B2	6/2014	Bennis	
8,769,864	B2	7/2014	Kavanaugh	
8,819,986	B2	9/2014	Bennis	
8,950,107	B1	2/2015	Rosenbloom et al.	
9,113,619	B2	8/2015	Loe	
9,265,240	B2	2/2016	Kavanaugh	
9,591,841	B2	3/2017	Schoenike	
9,867,365	B1	1/2018	Rosenbloom et al.	
9,883,664	B2	2/2018	Bos	
D814,604	S *	4/2018	Bossi .....	D22/134
9,974,293	B2	5/2018	Miller	
D890,879	S *	7/2020	Brown .....	D22/134
2013/0318855	A1	12/2013	Bennis	
2014/0250765	A1	9/2014	Berchin-Miller	
2017/0295770	A1	10/2017	Schoenike	
2018/0146654	A1	5/2018	Wakefield	

\* cited by examiner

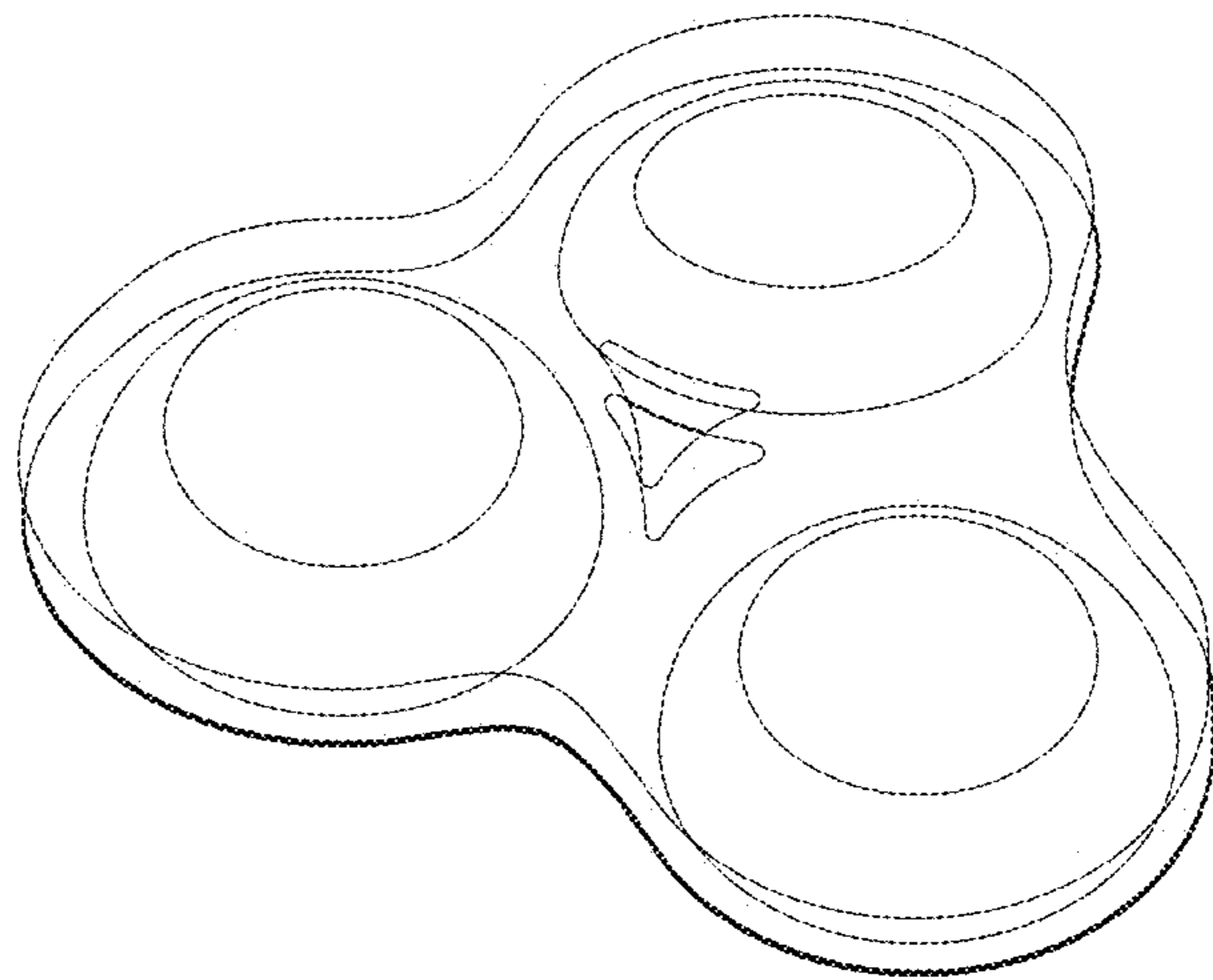


FIG. 1

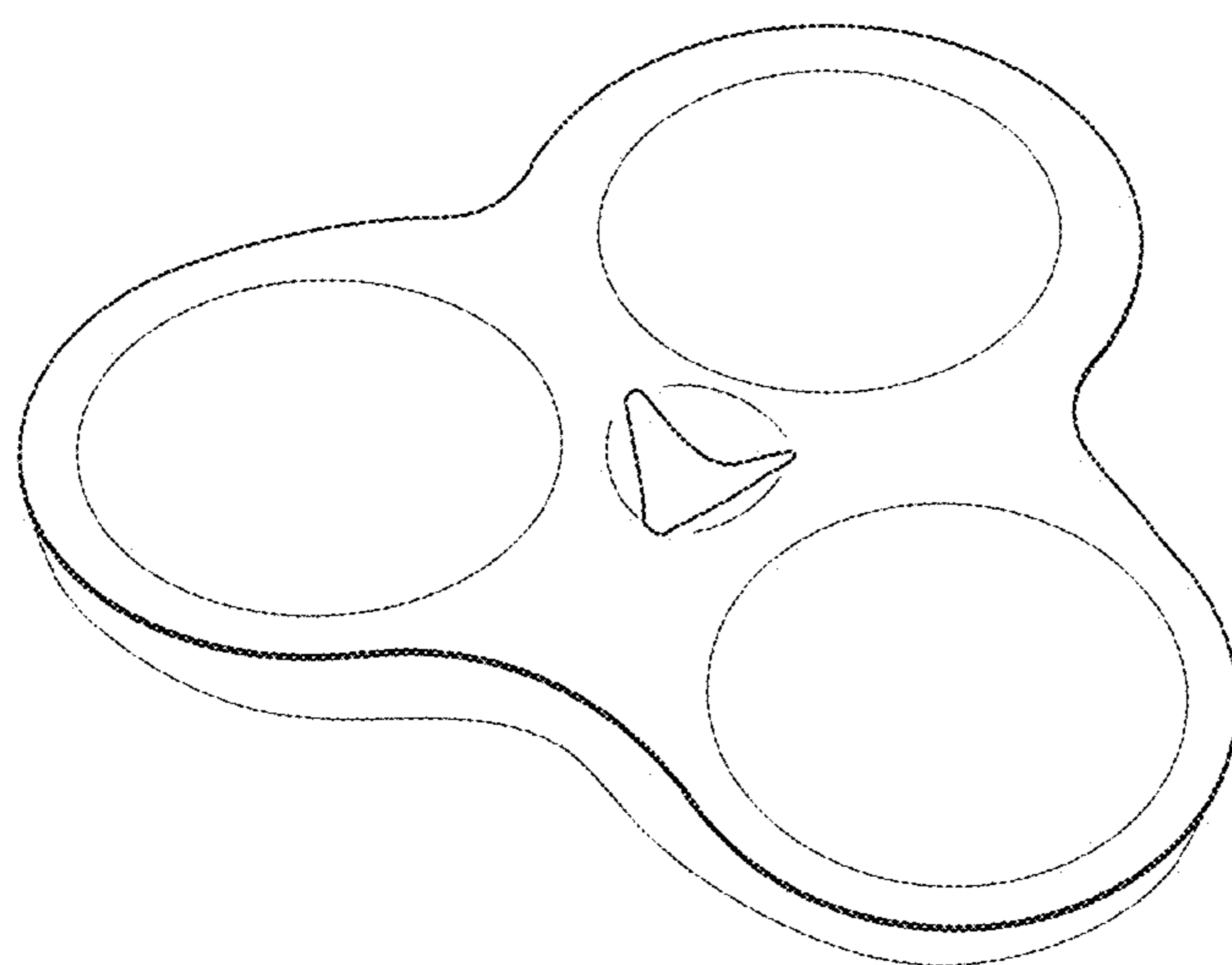


FIG. 2

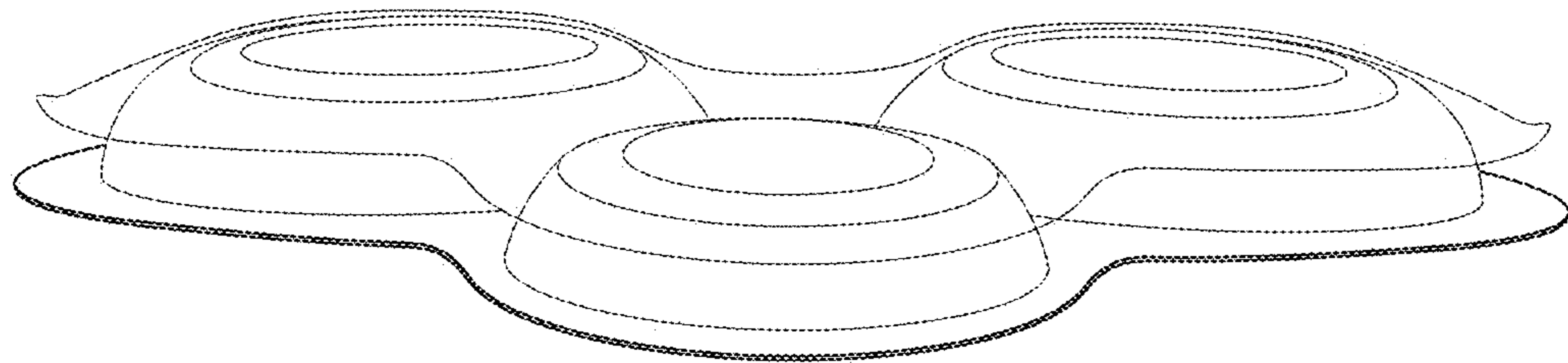


FIG. 3

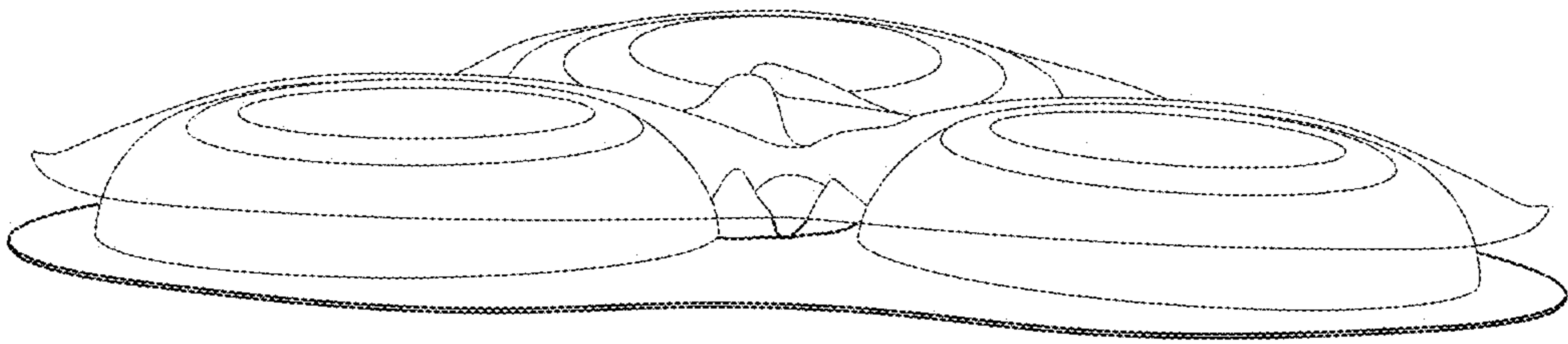


FIG. 4

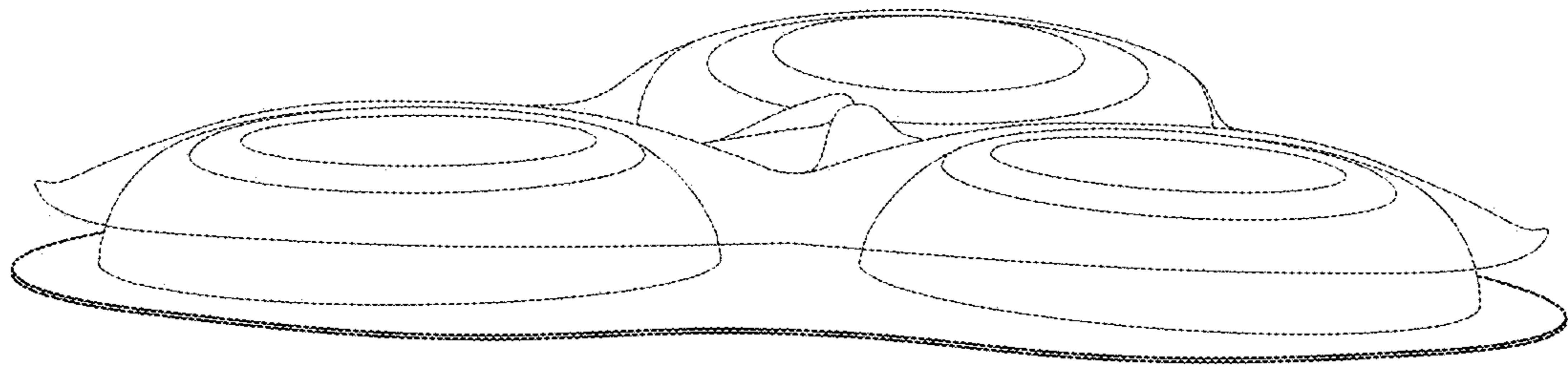


FIG. 5

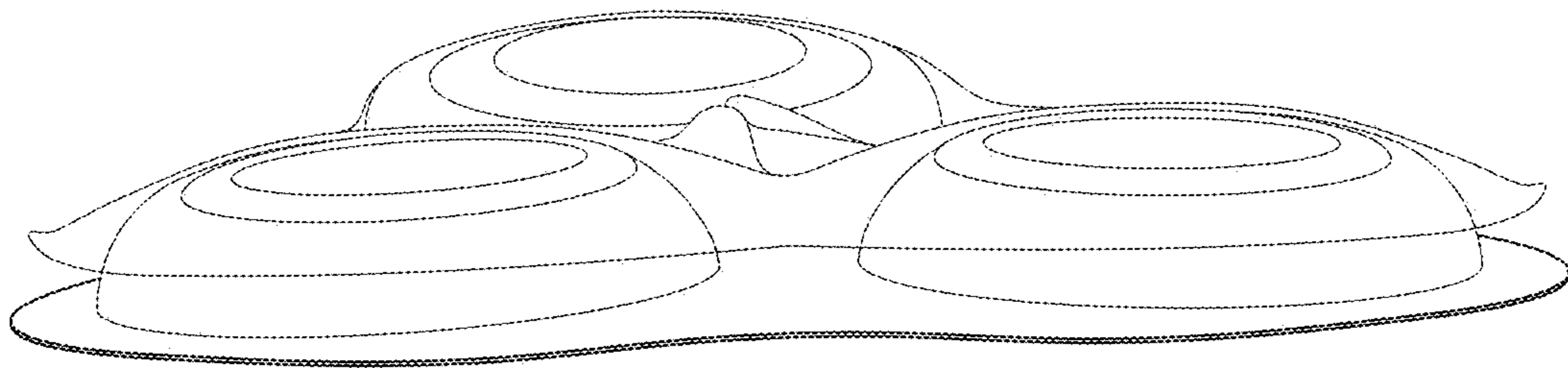


FIG. 6



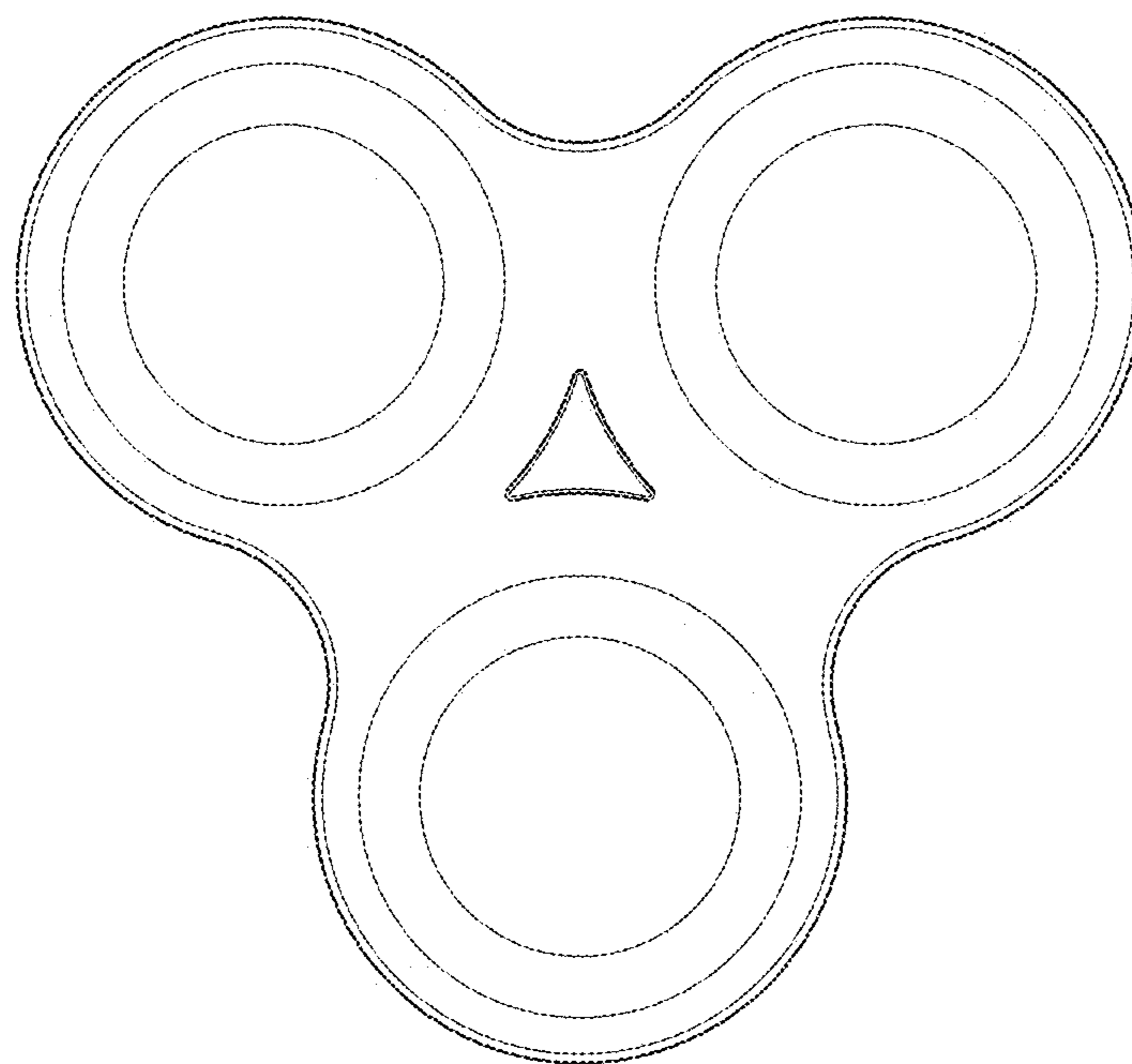


FIG. 7

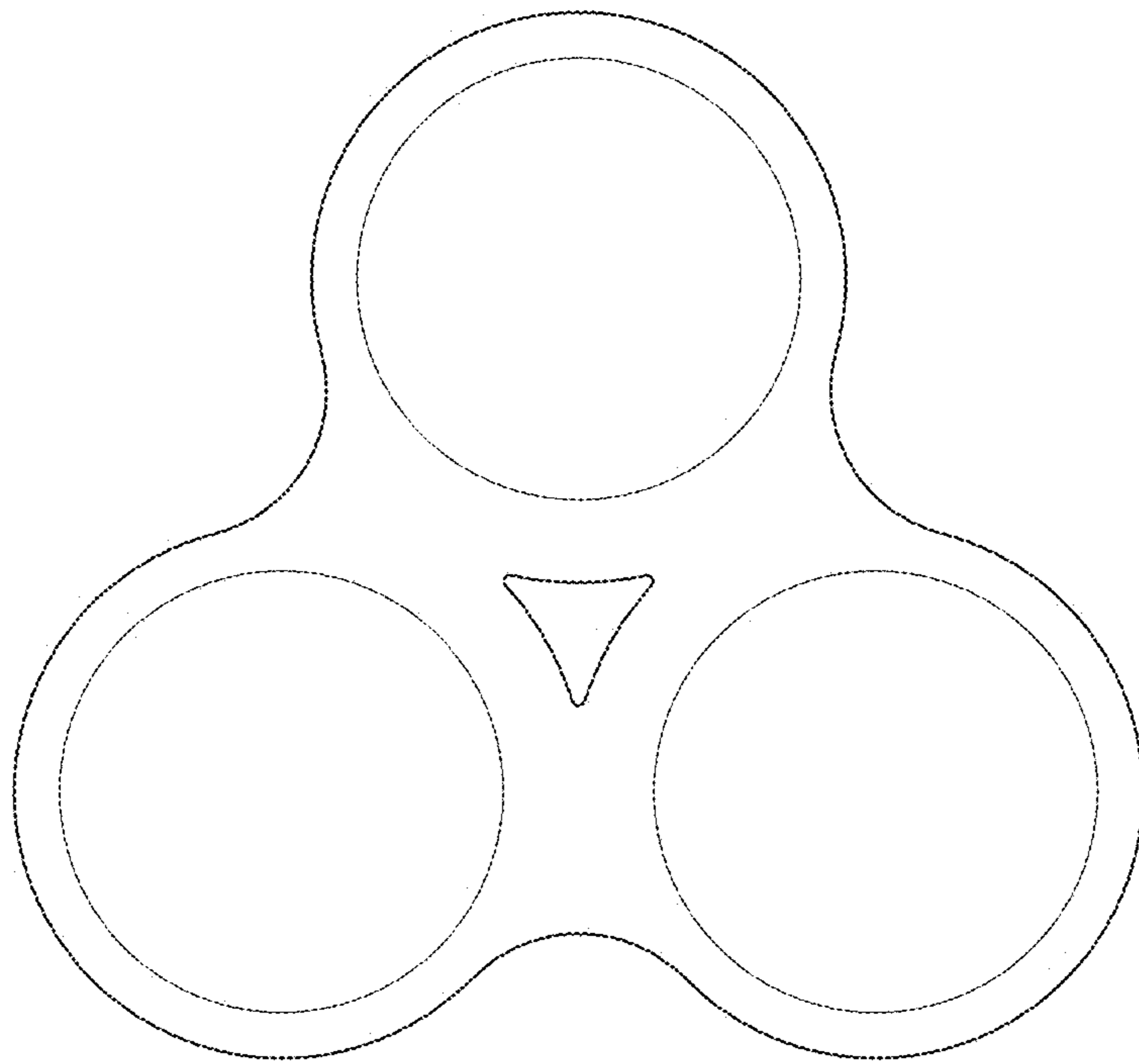


FIG. 8

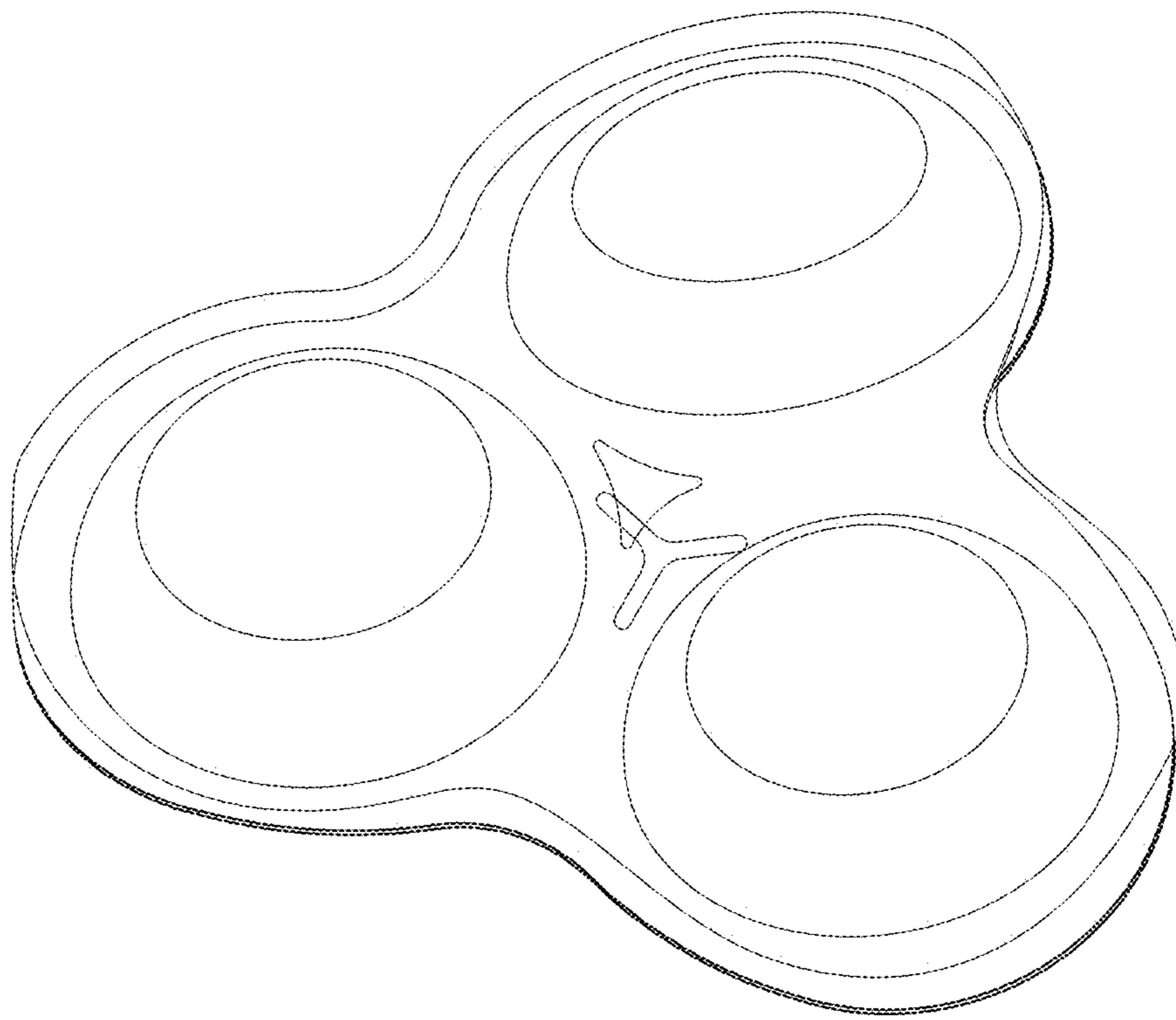


FIG. 9

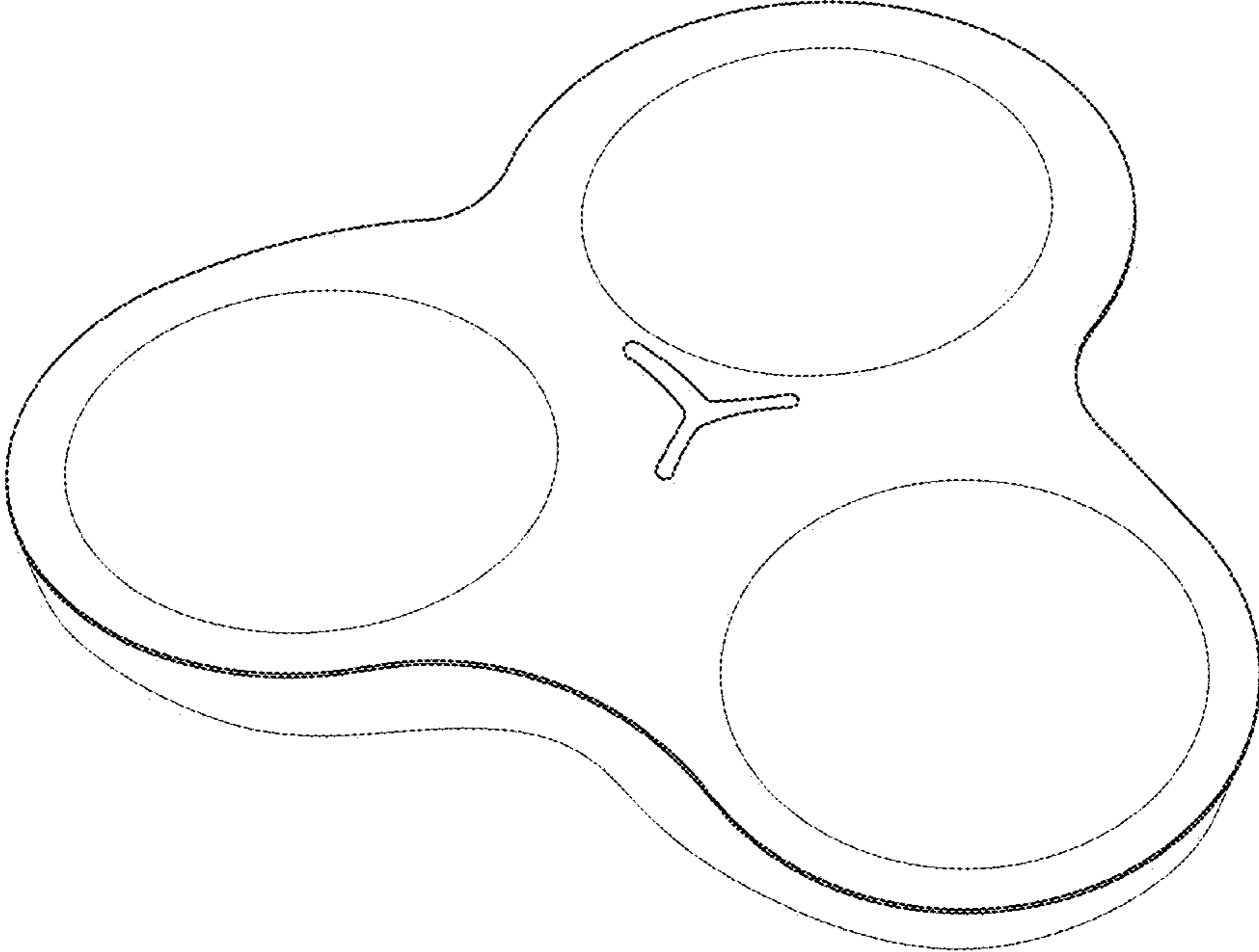


FIG. 10

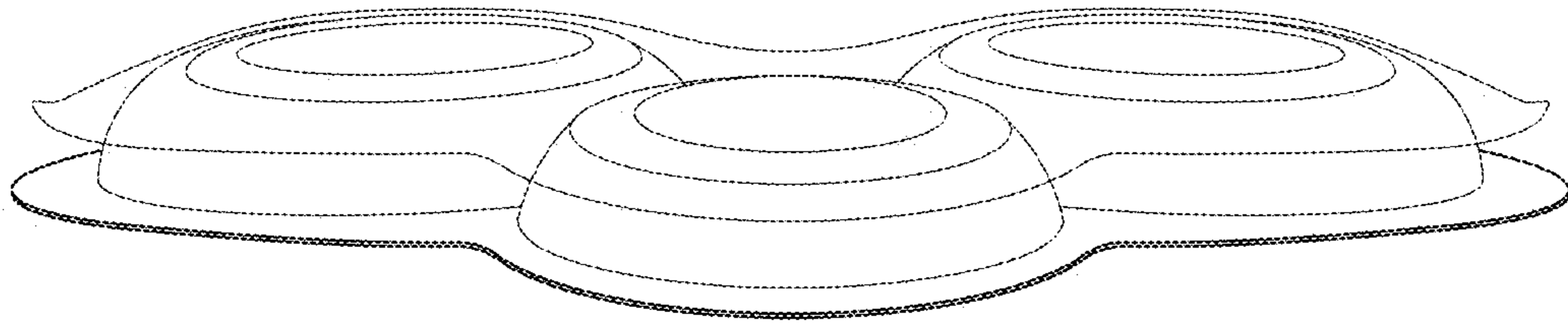


FIG. 11

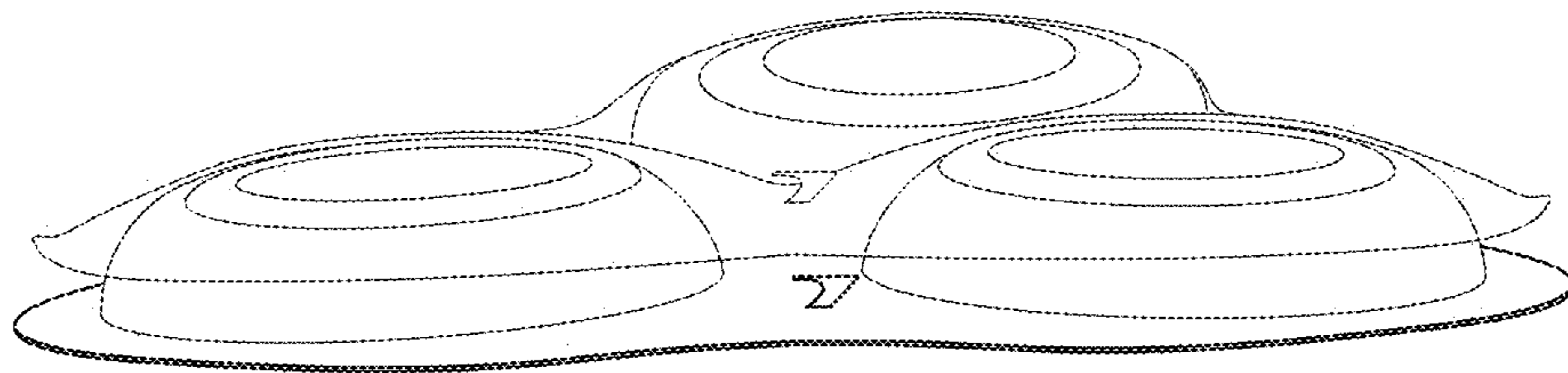


FIG. 12

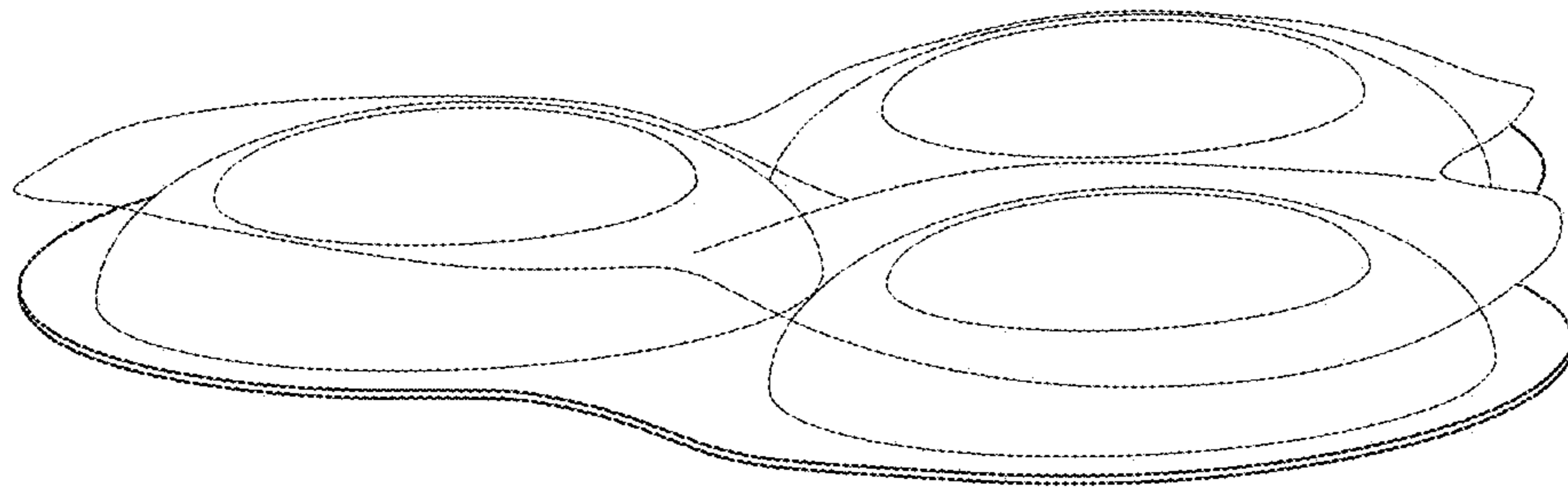


FIG. 13

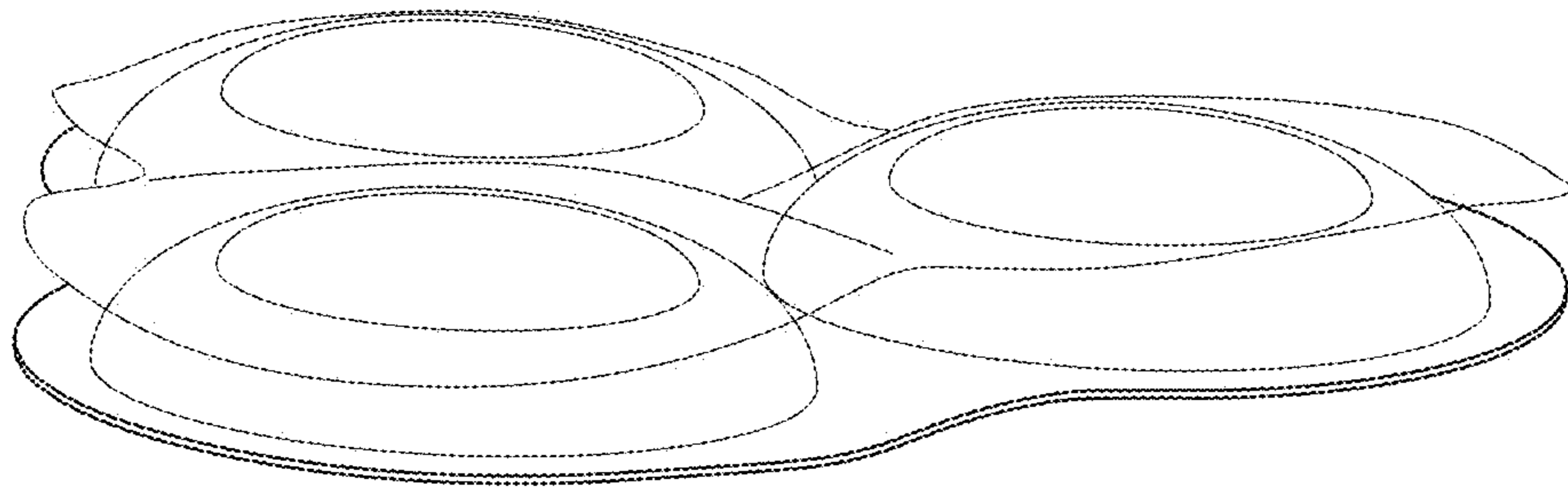


FIG. 14



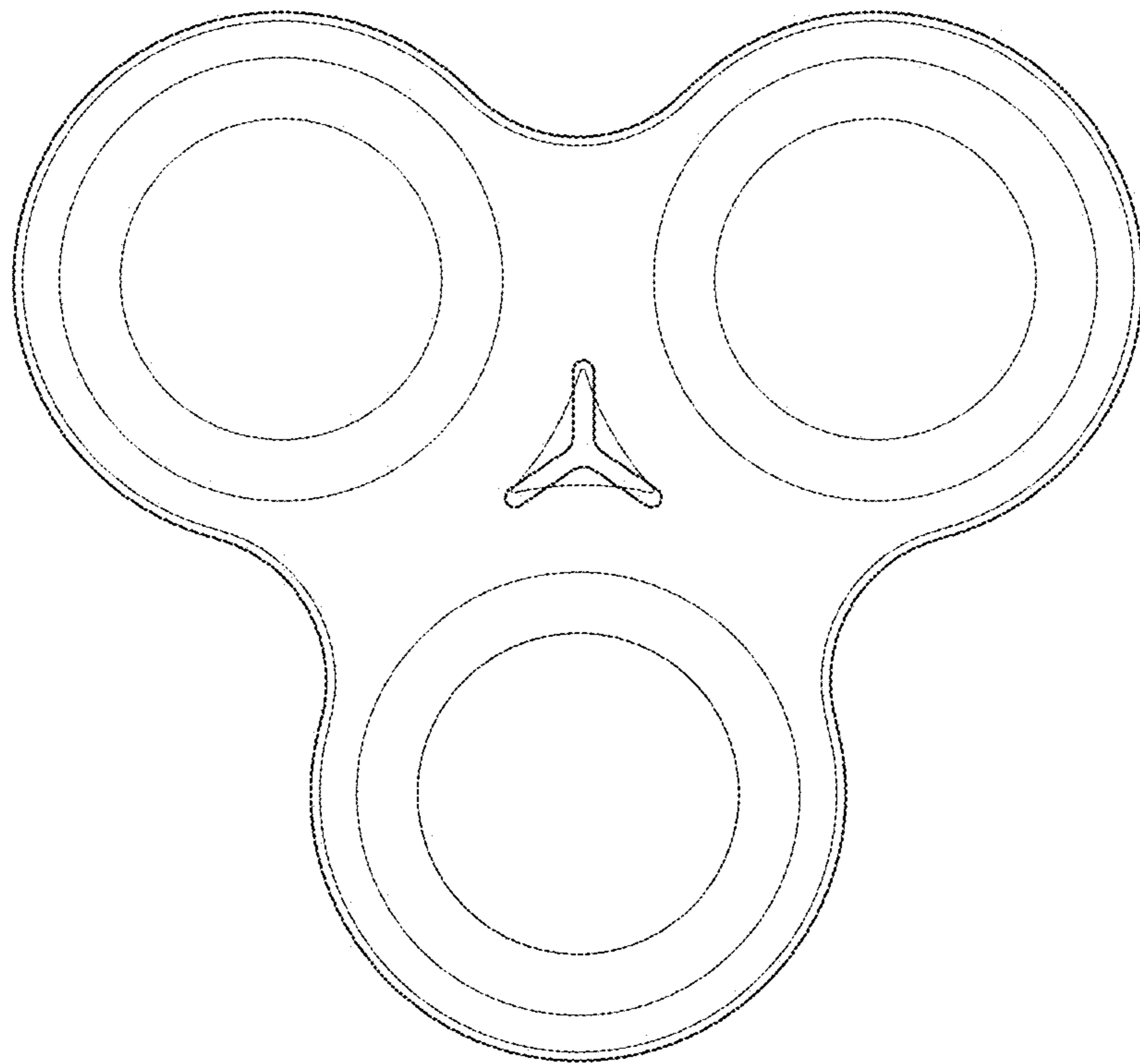


FIG. 15

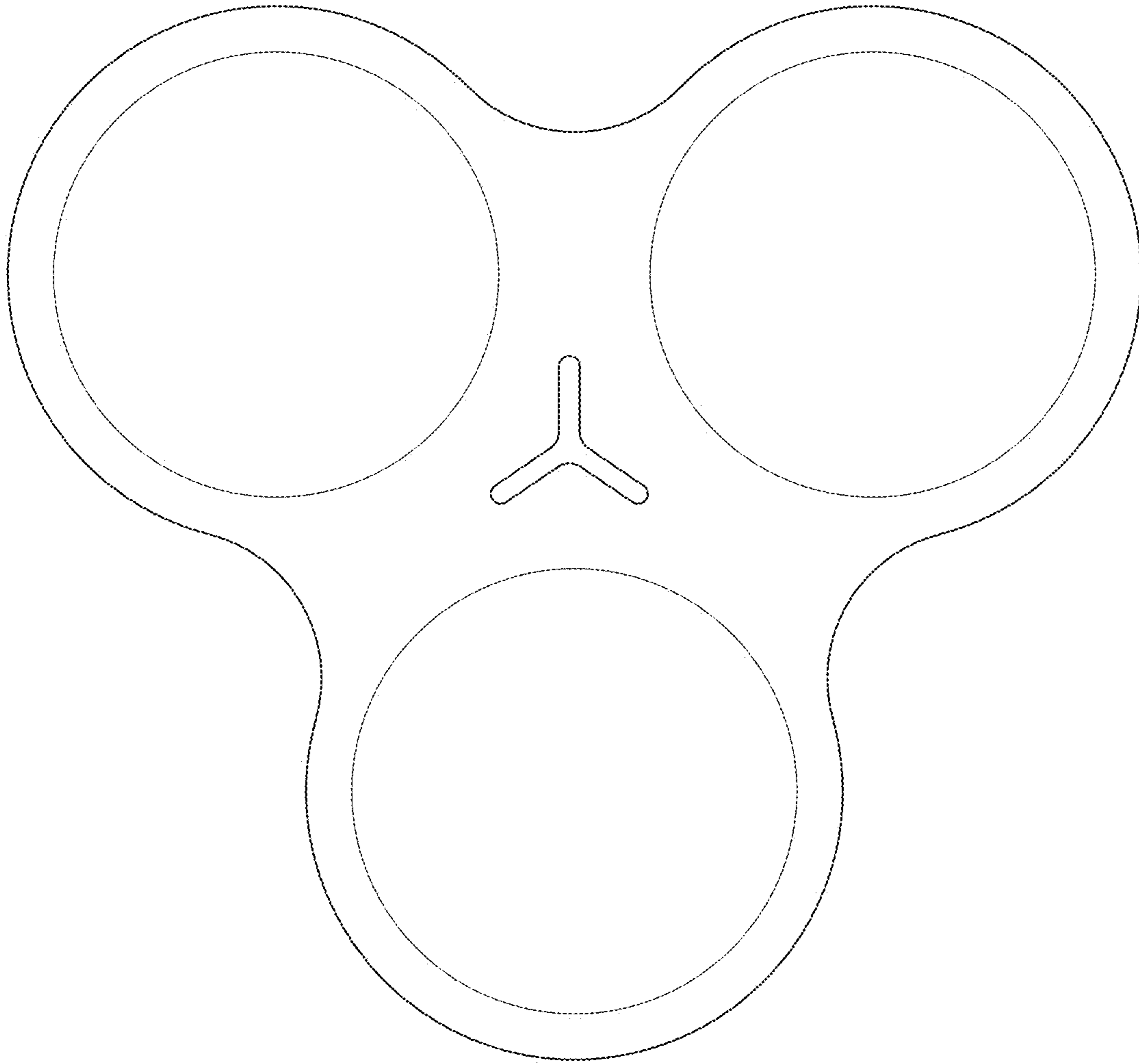


FIG. 16

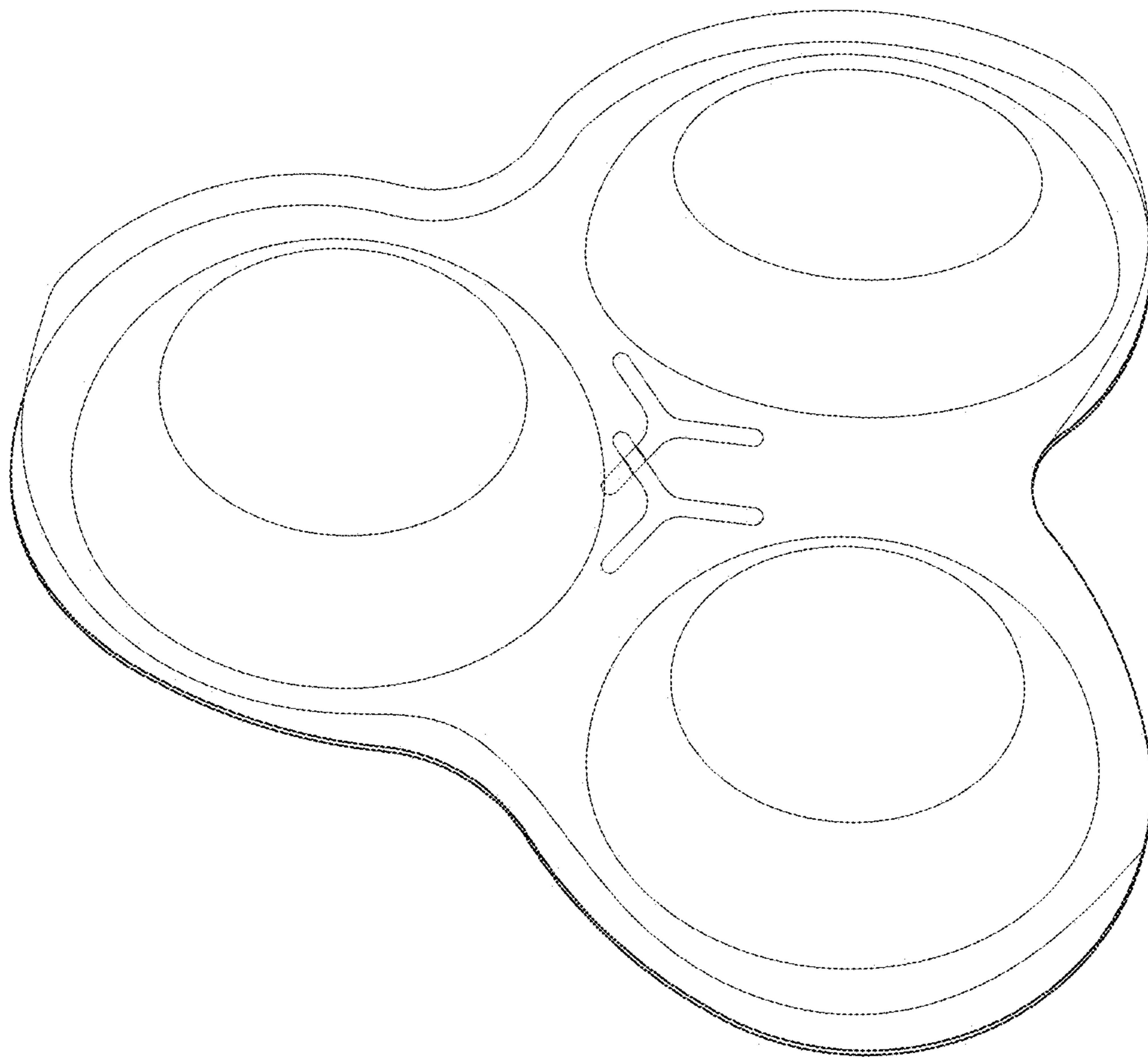


FIG. 17

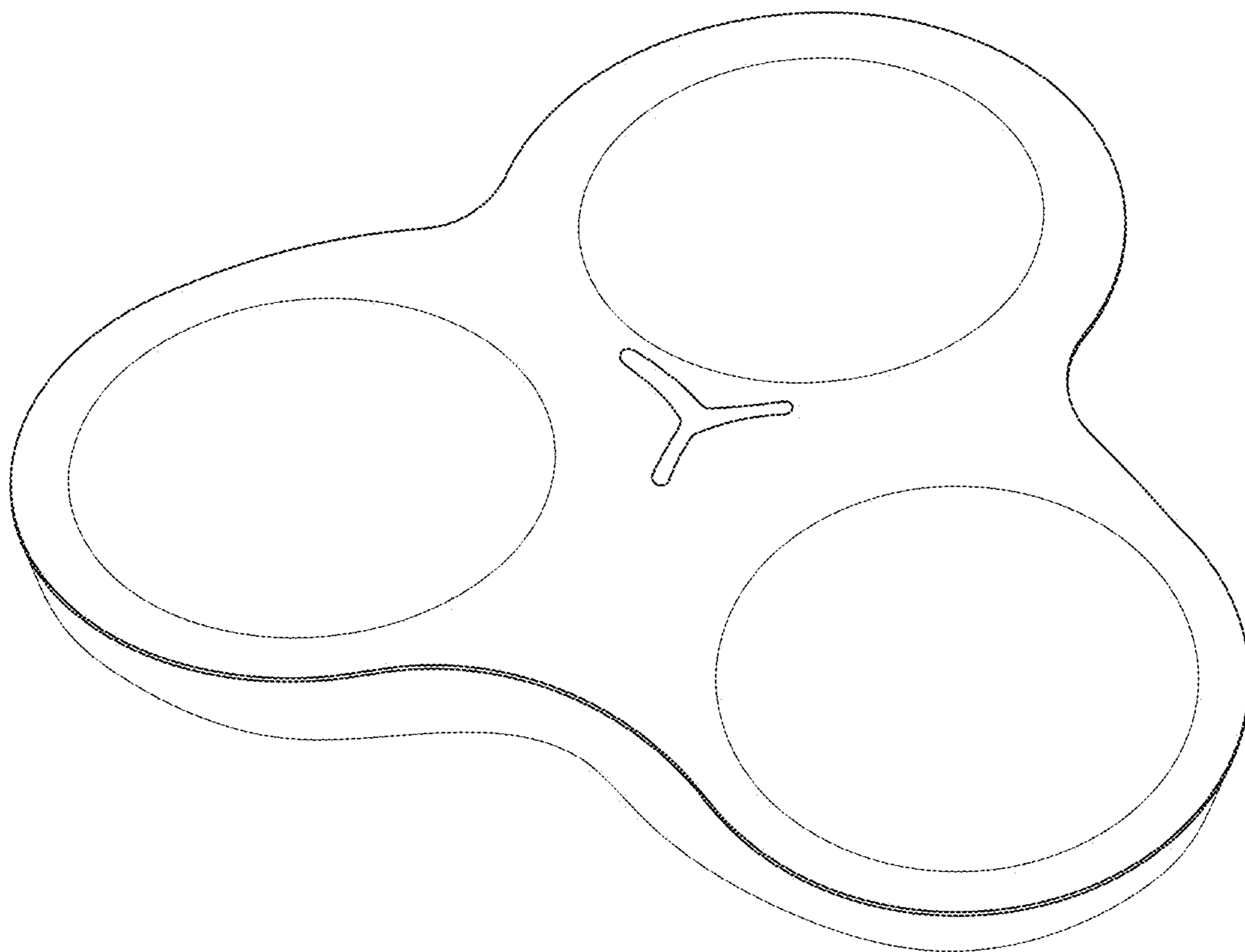


FIG. 18

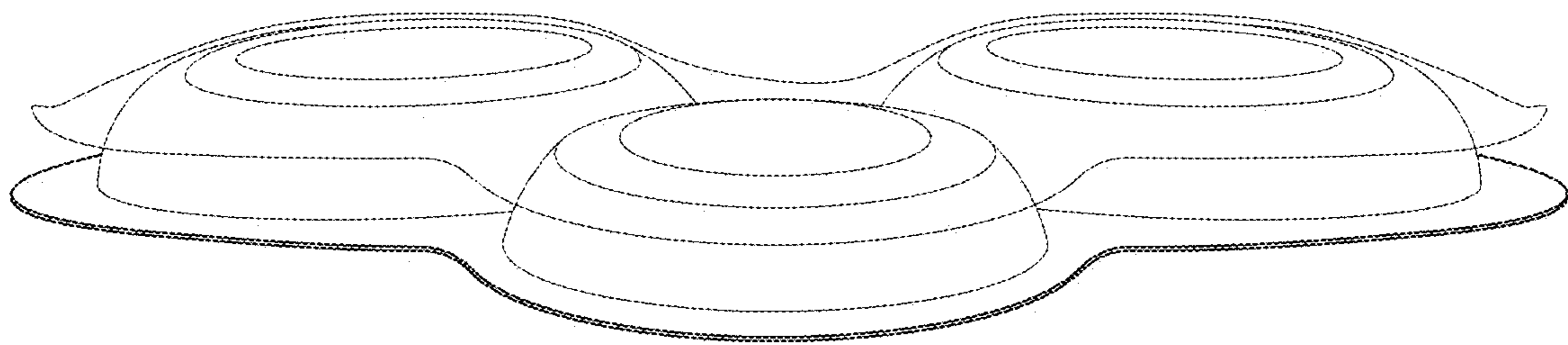


FIG. 19

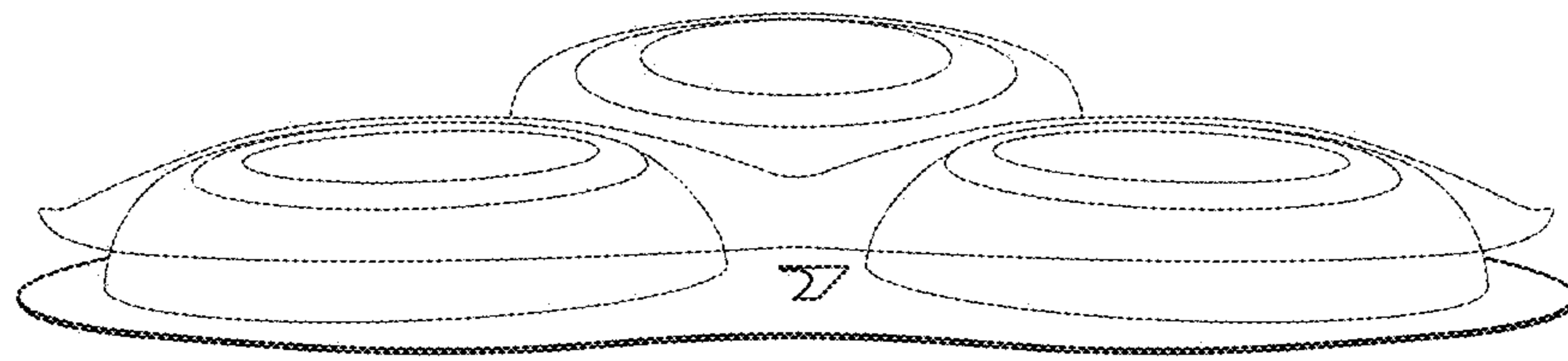


FIG. 20

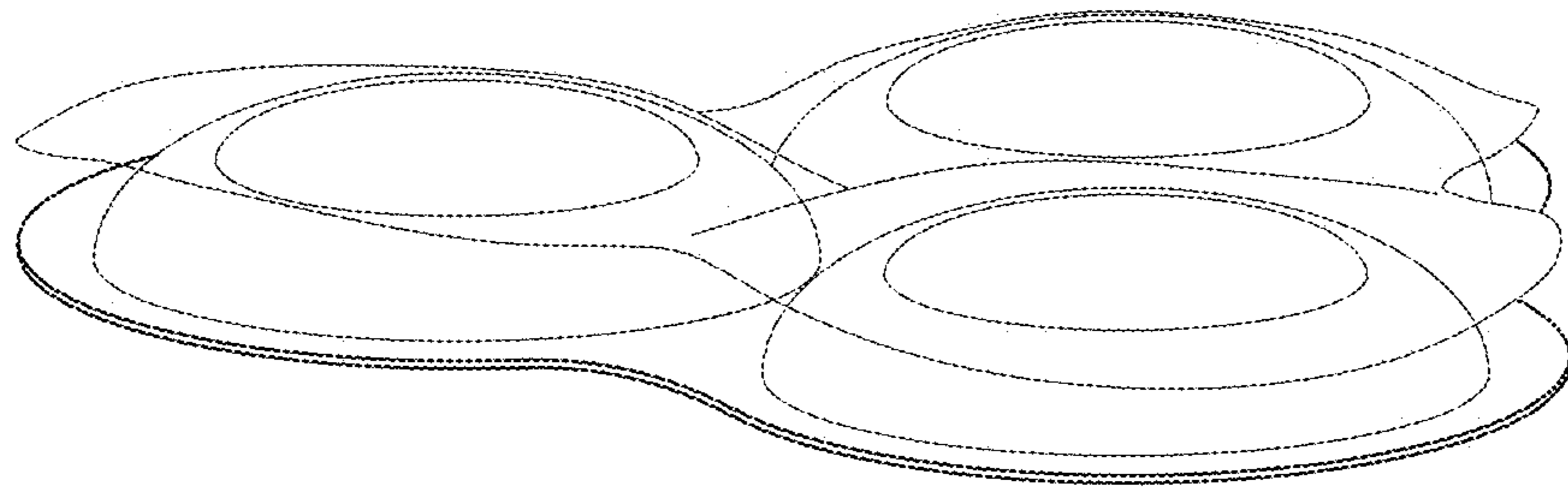


FIG. 21

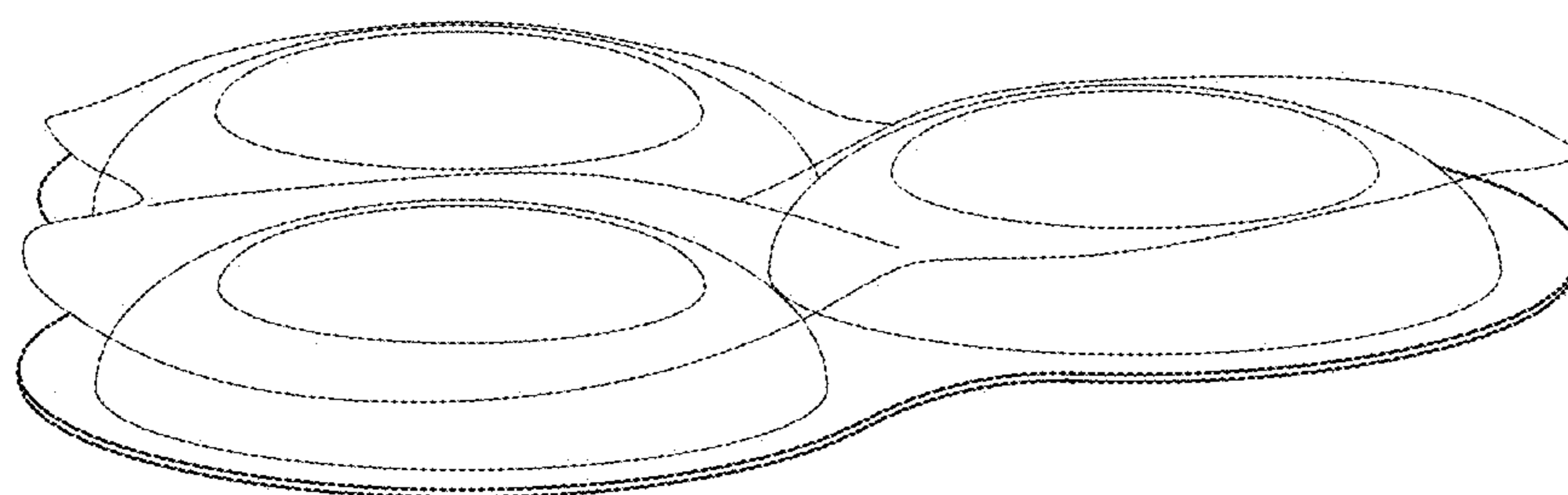


FIG. 22



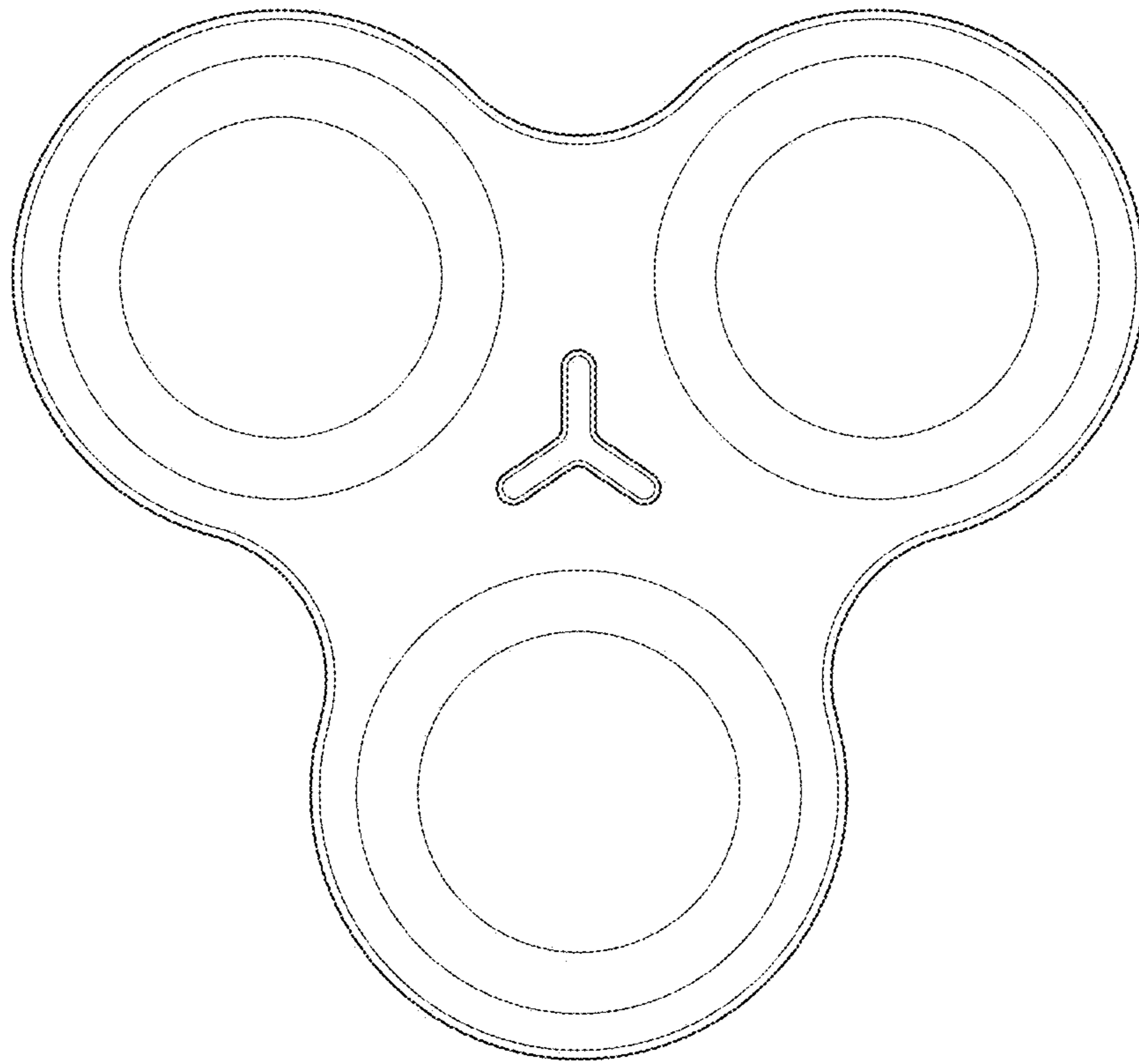


FIG. 23

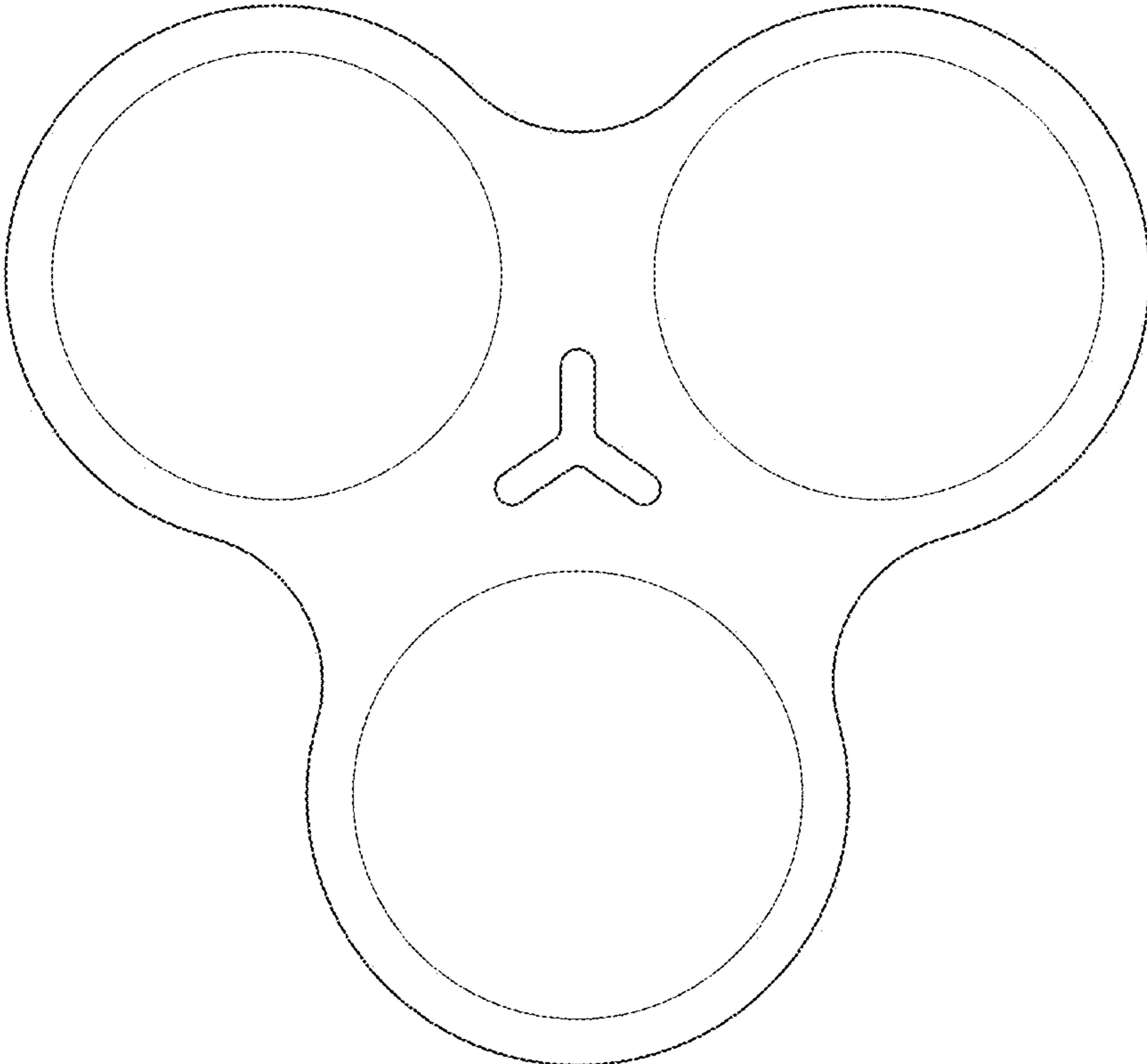


FIG. 24

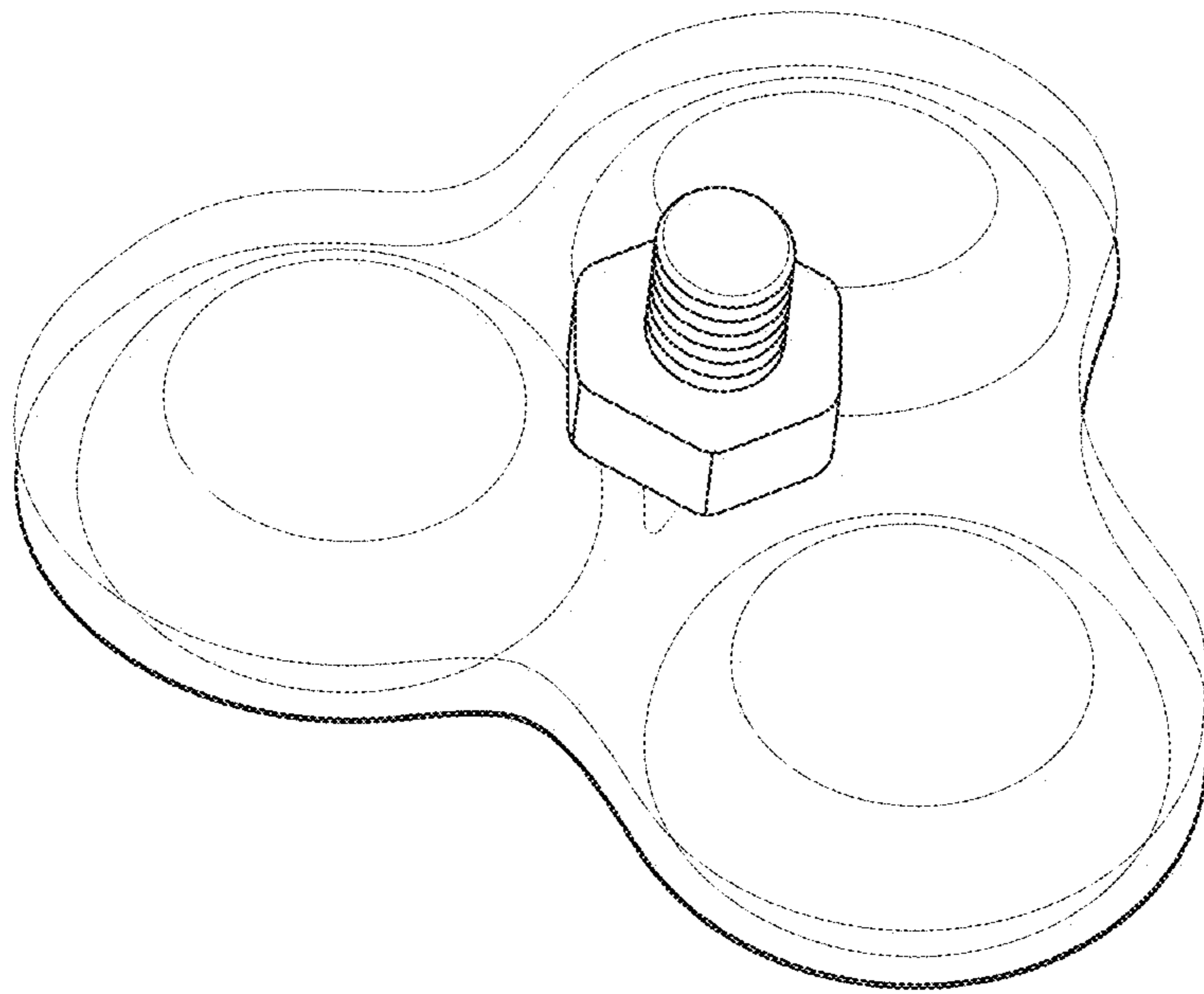


FIG. 25

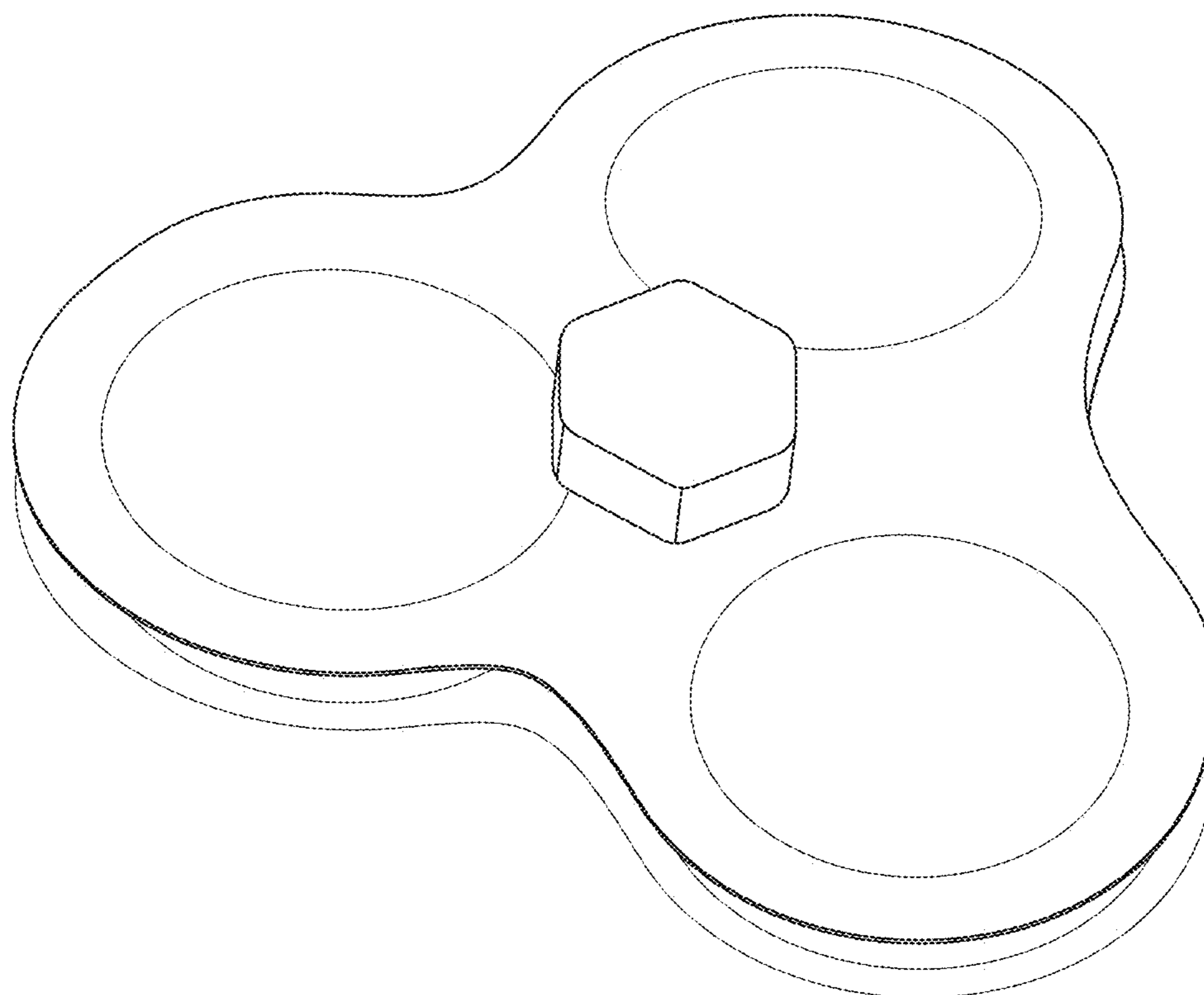


FIG. 26

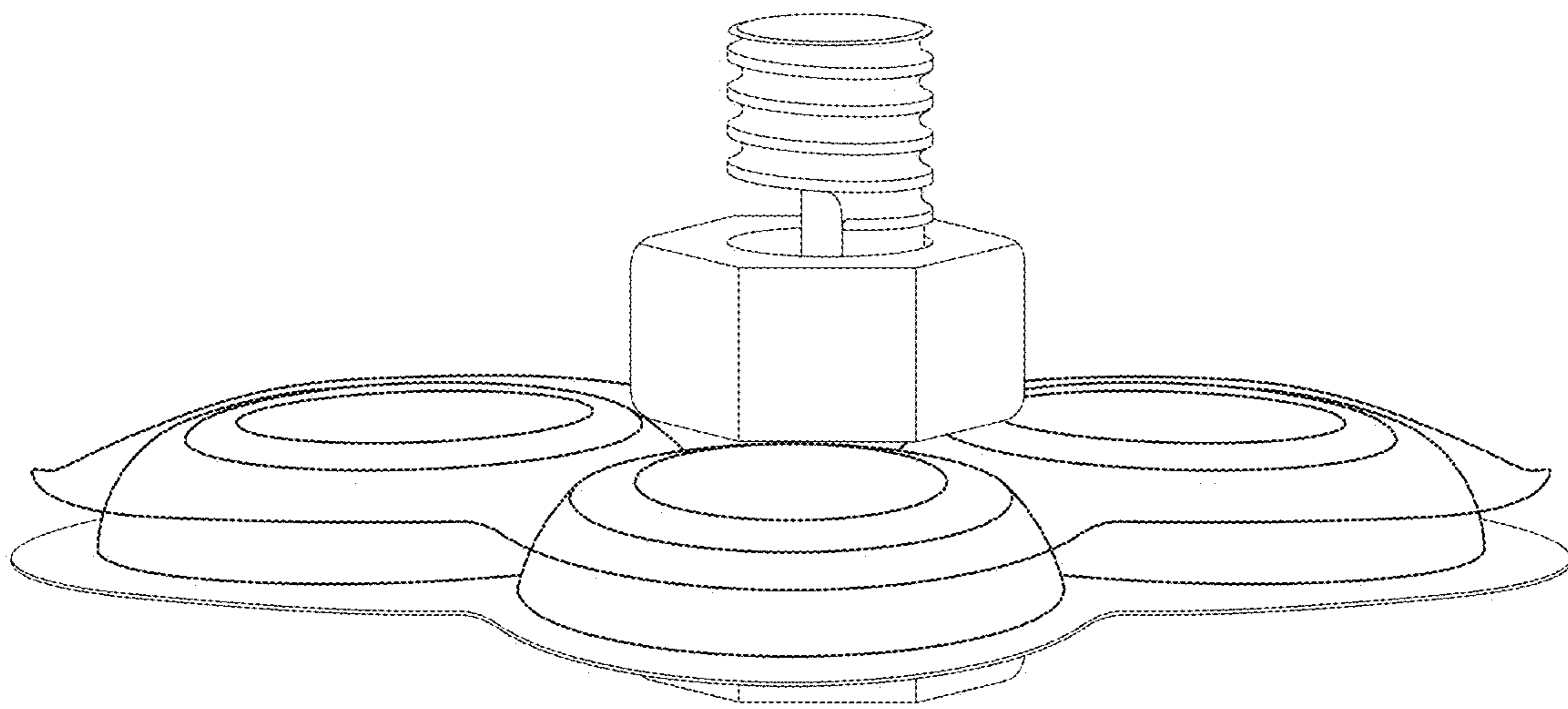


FIG. 27

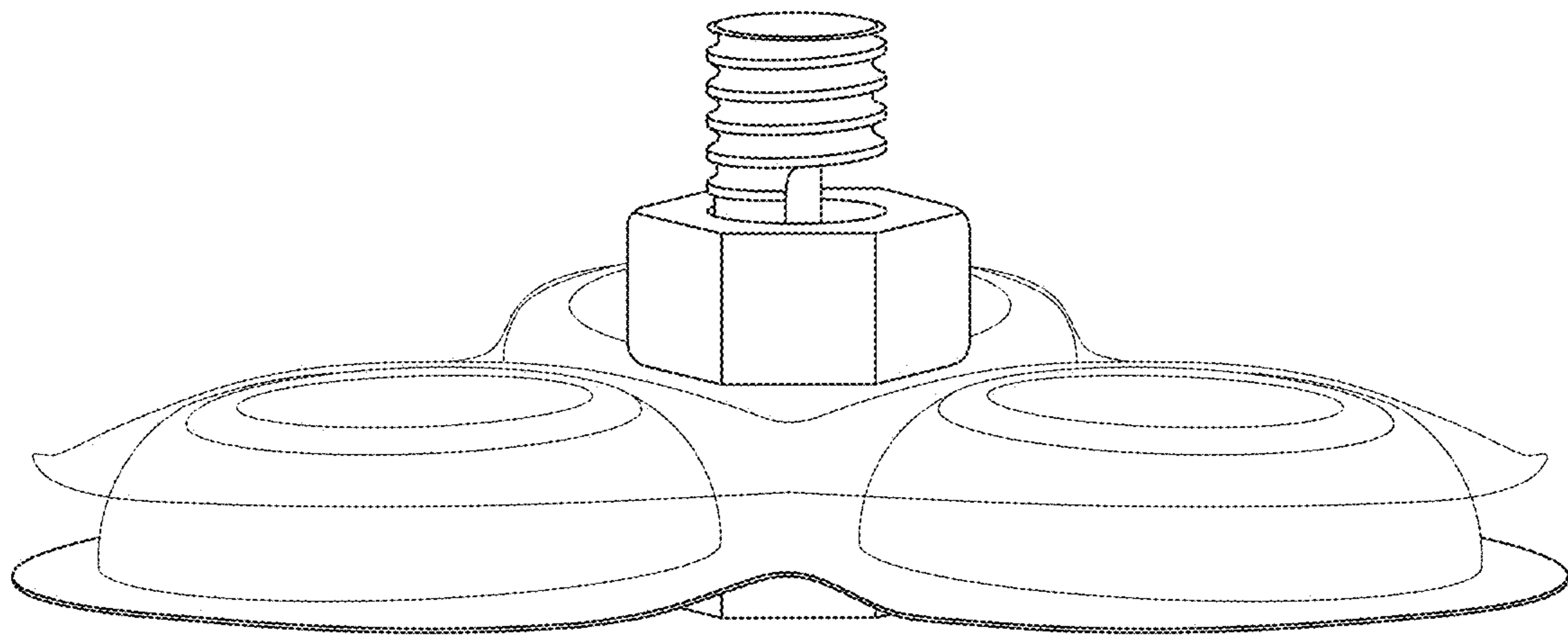


FIG. 28

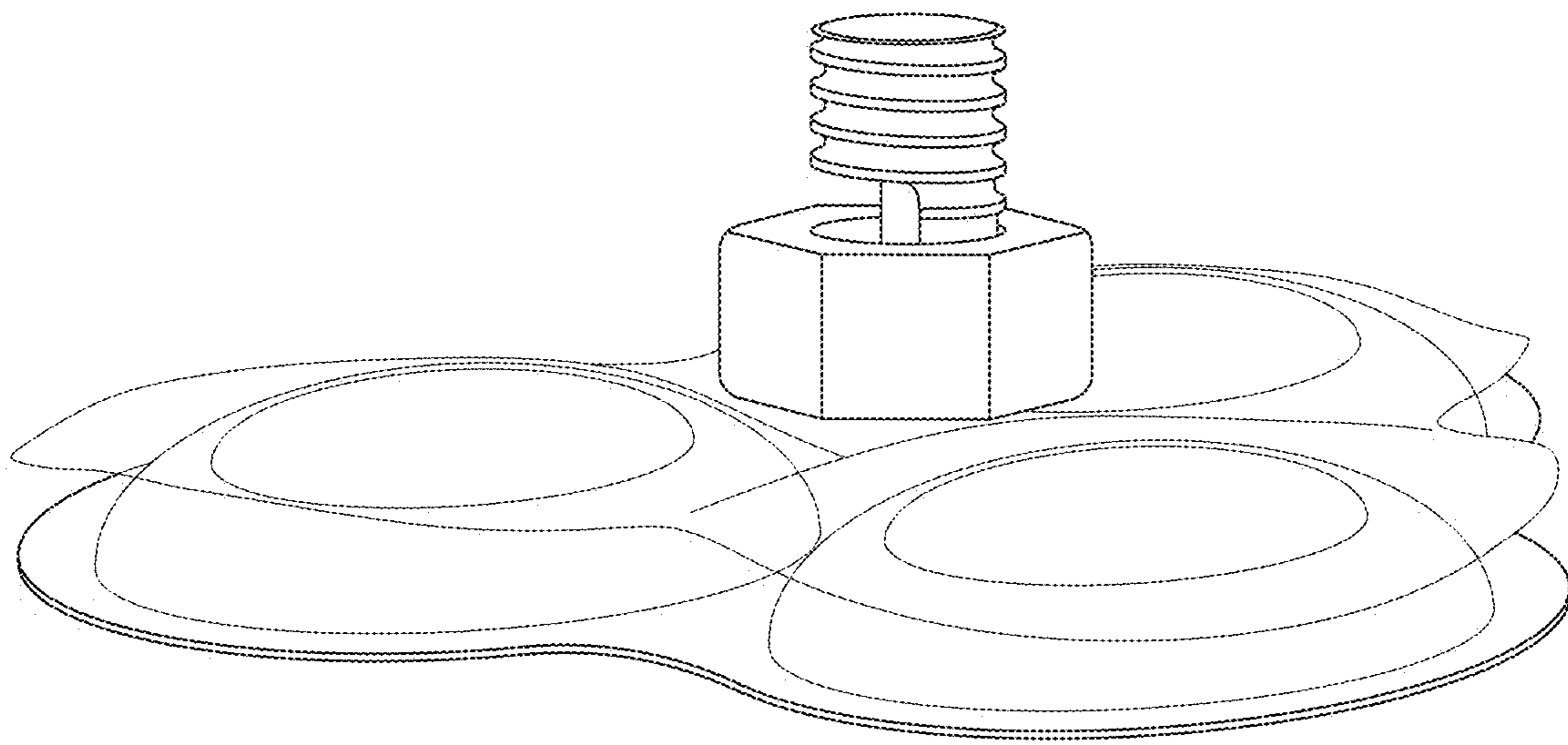


FIG. 29

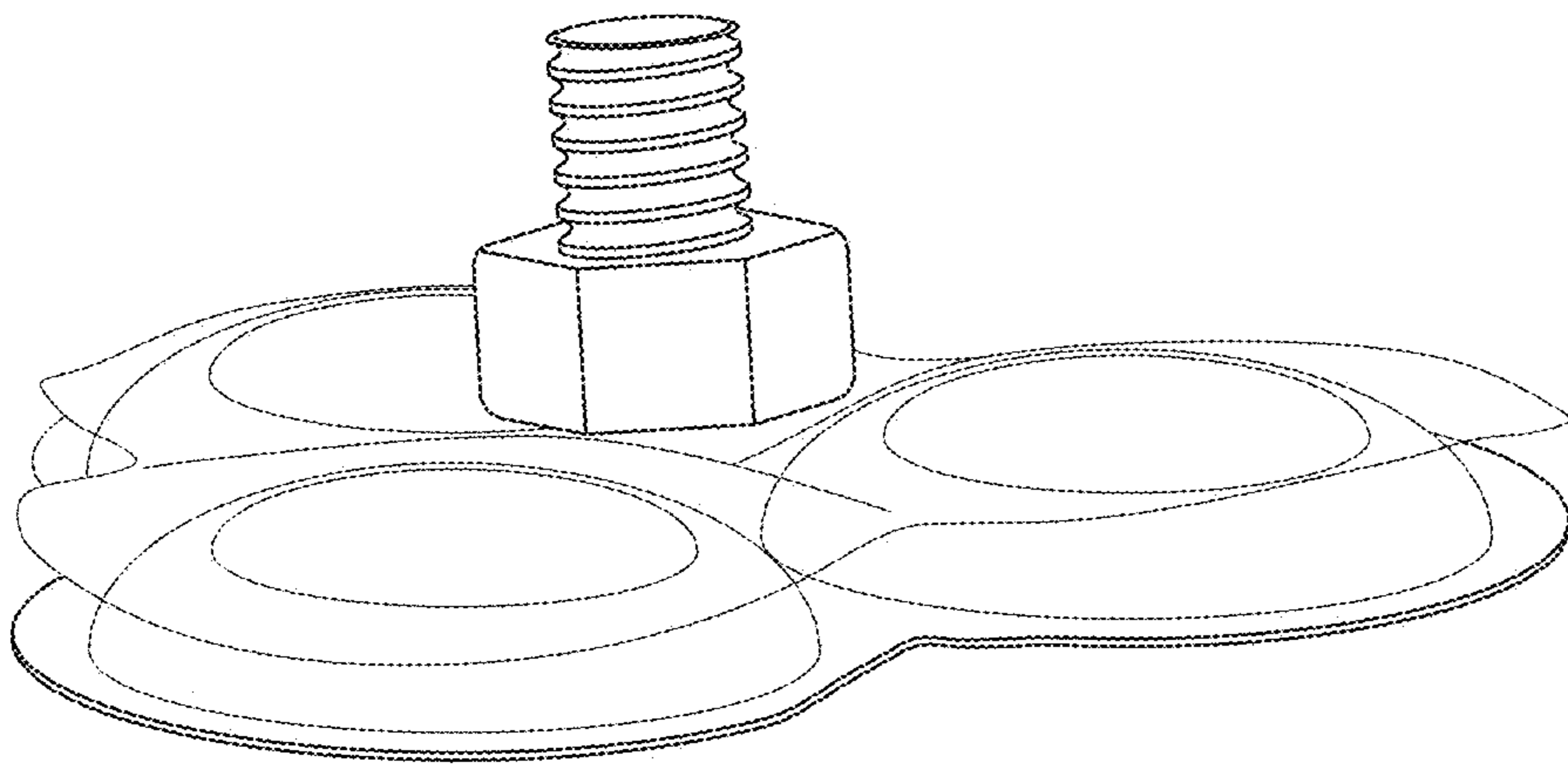


FIG. 30



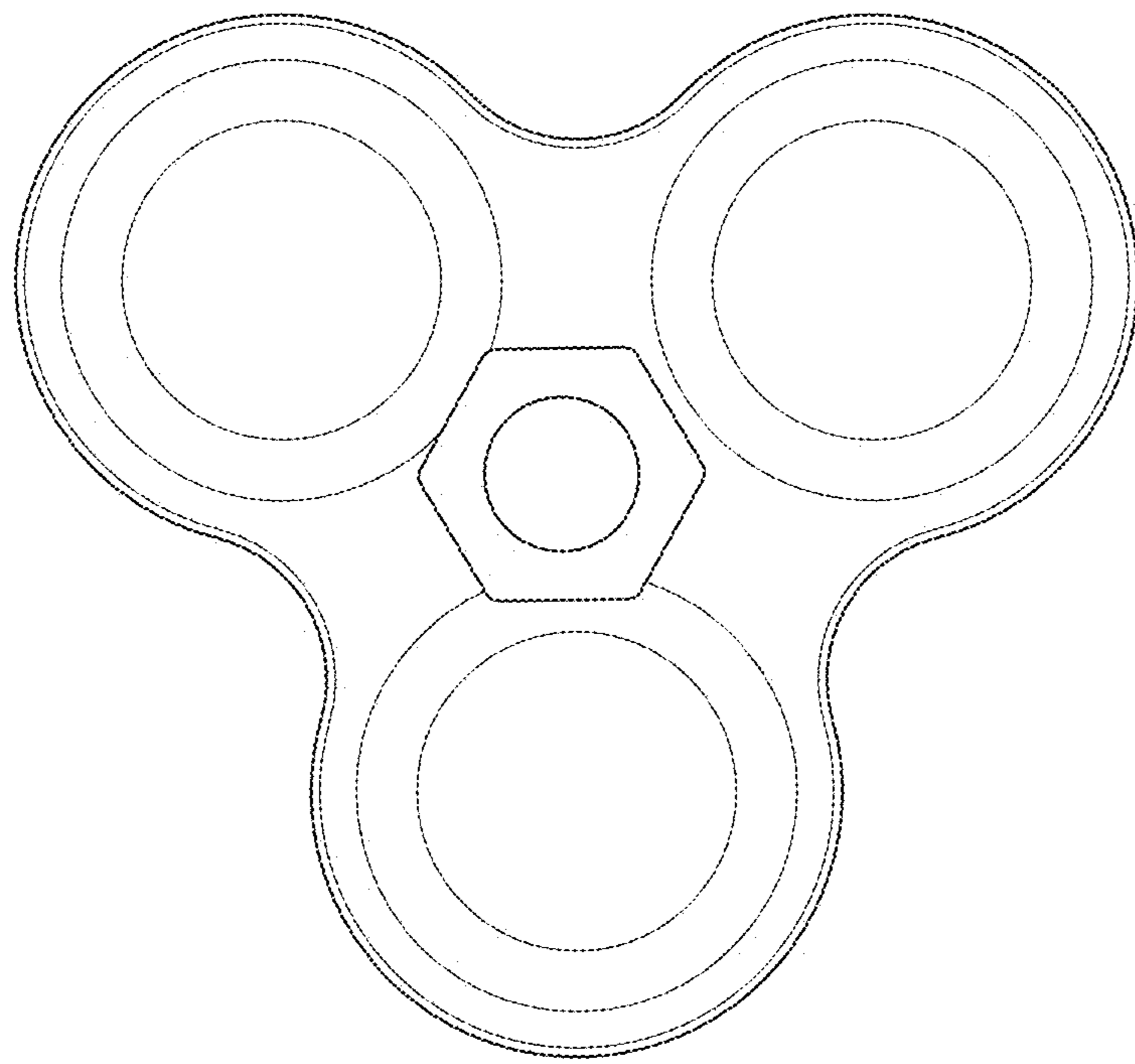


FIG. 31

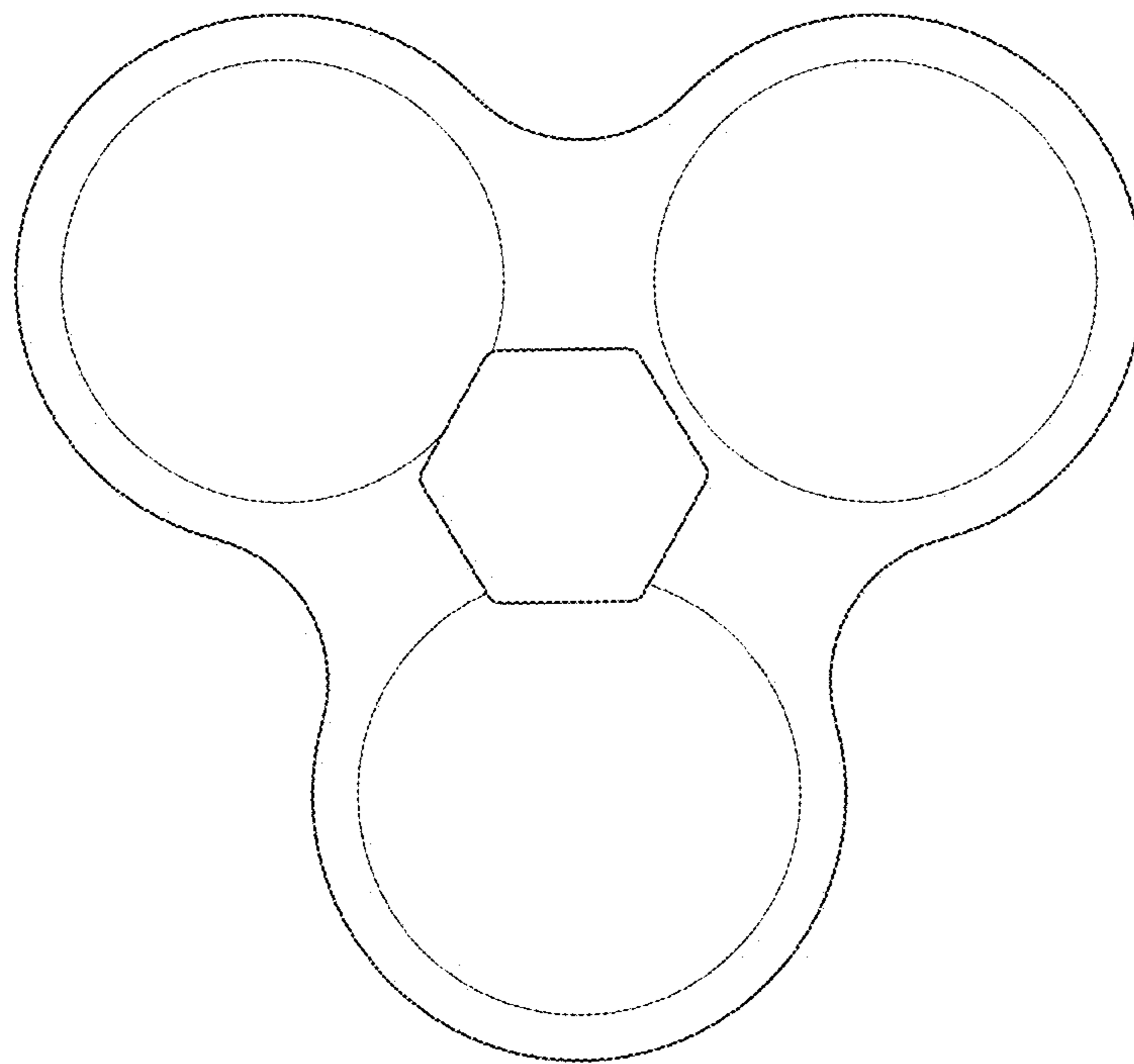


FIG. 32

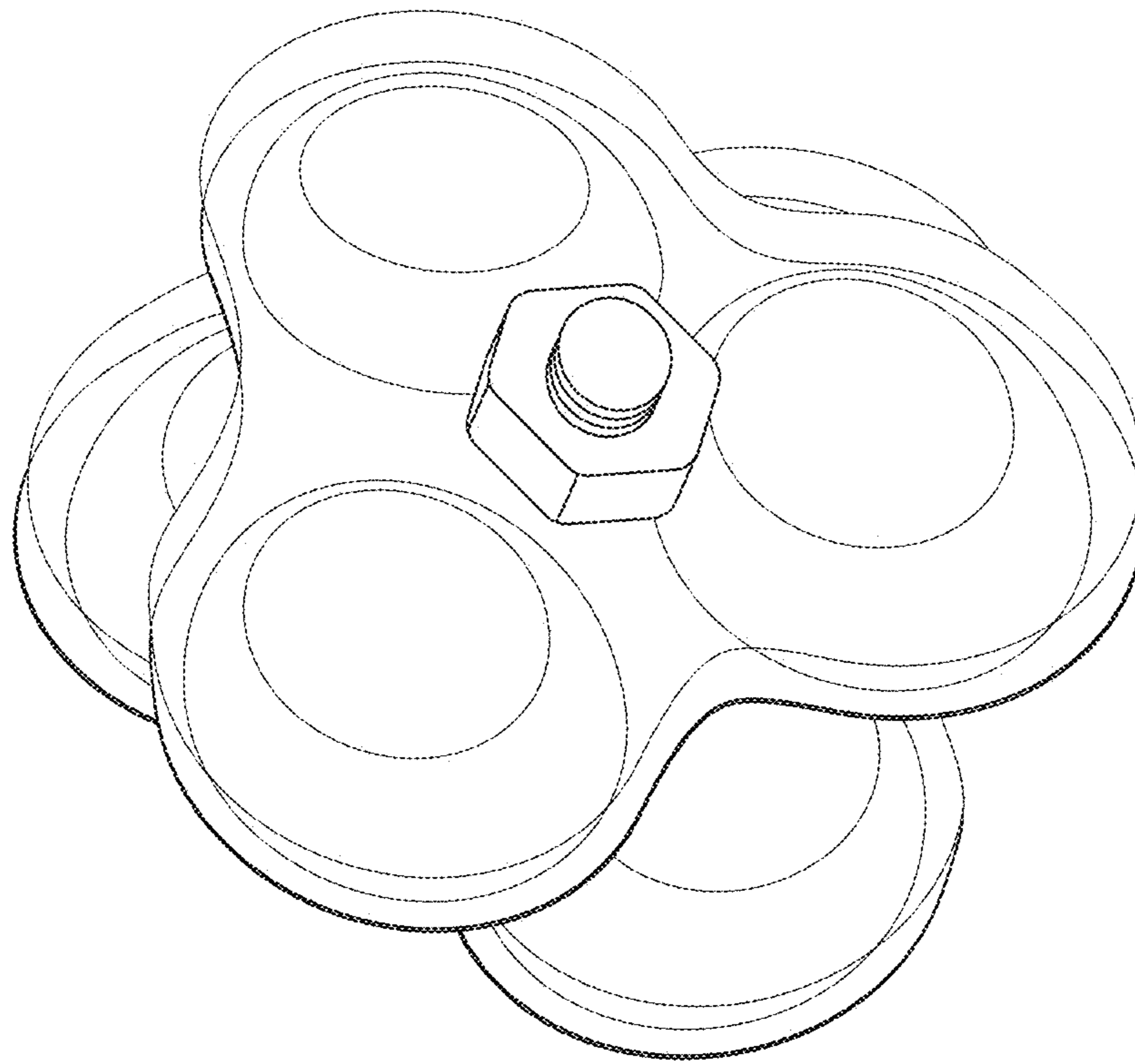


FIG. 33

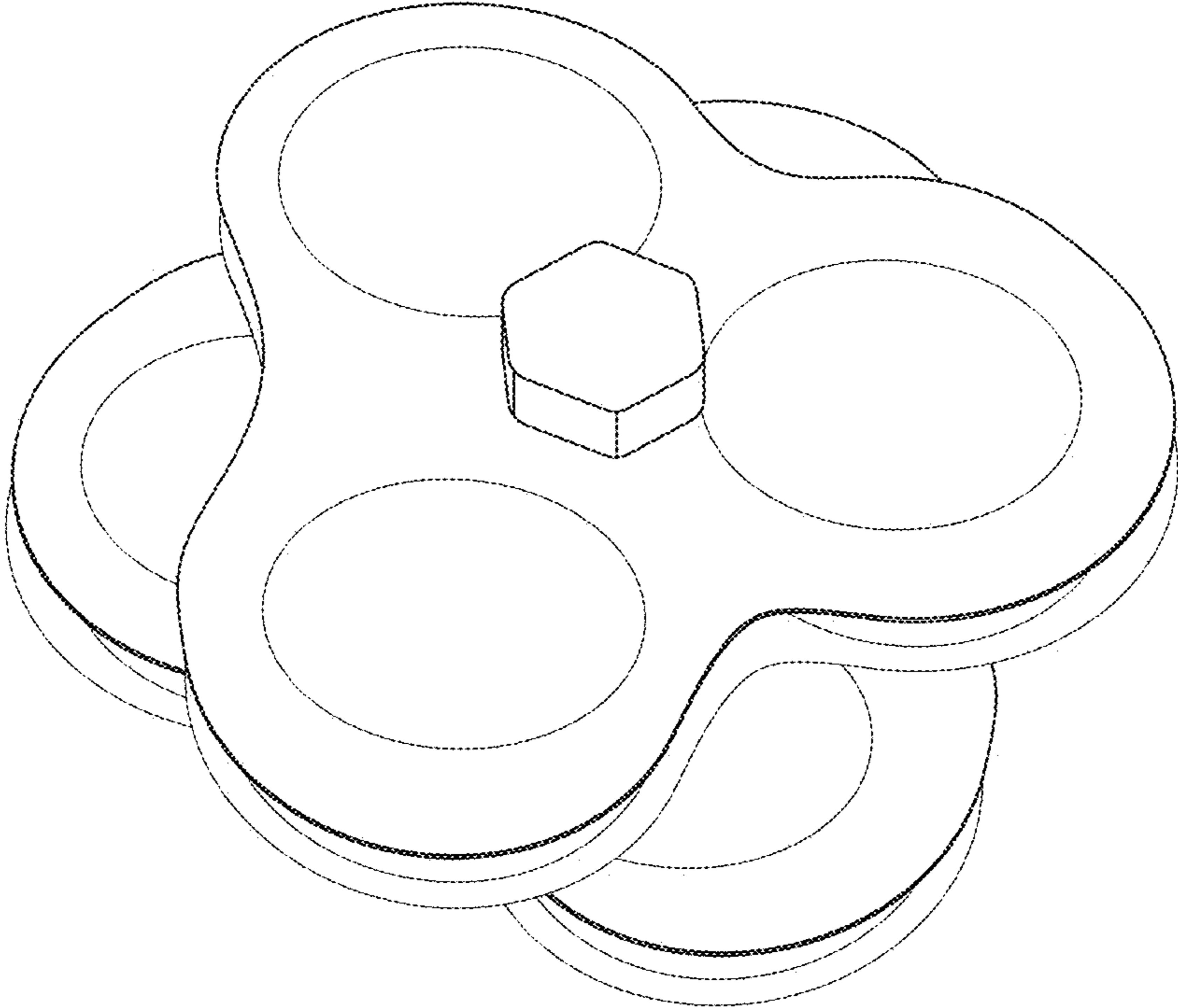


FIG. 34

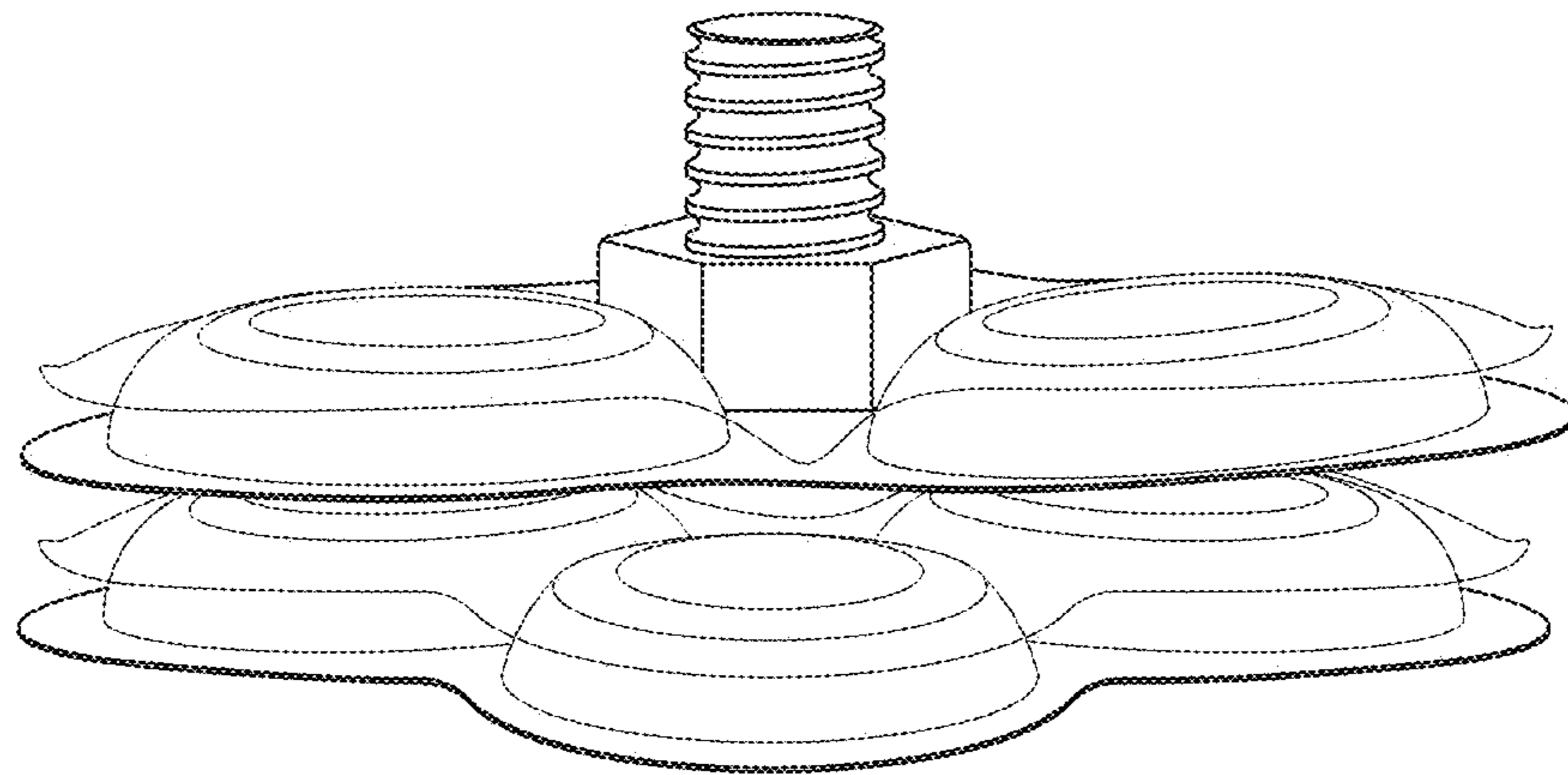


FIG. 35

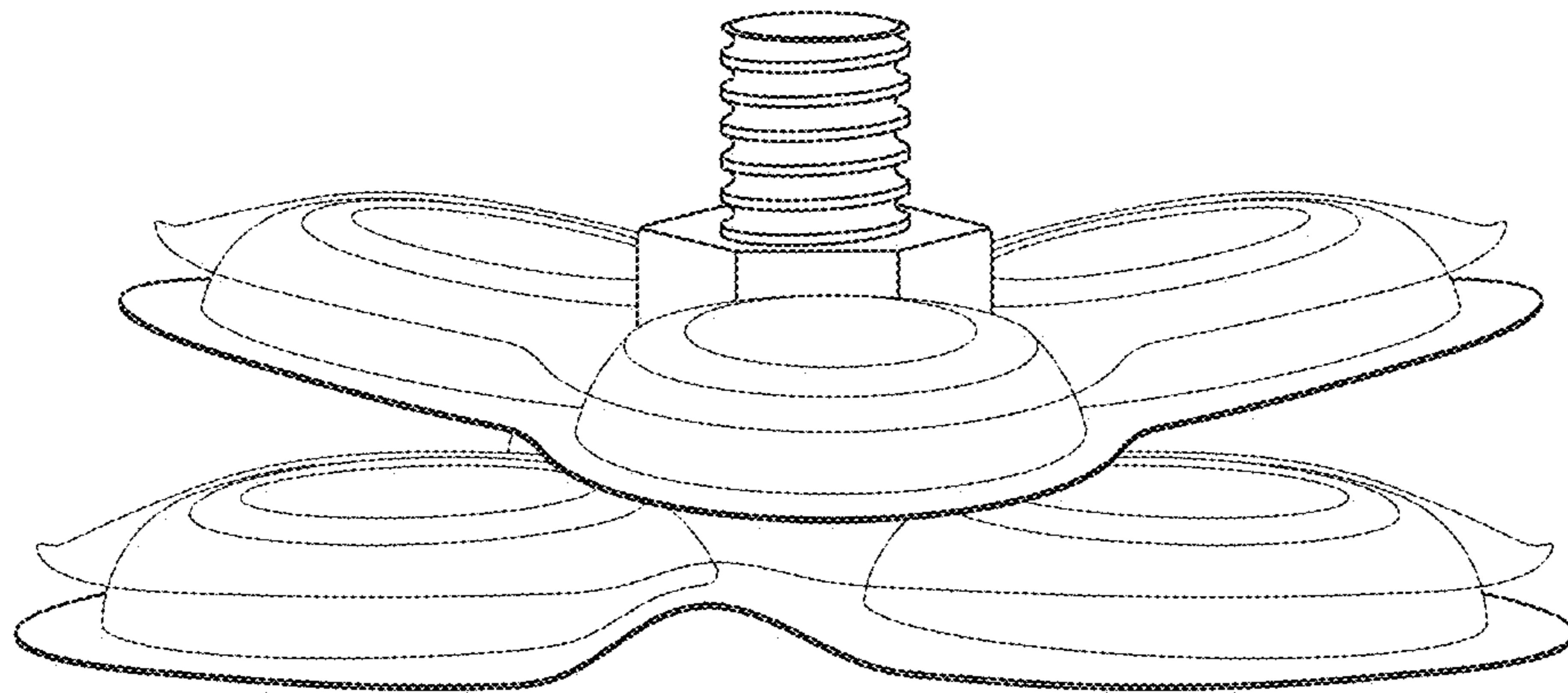


FIG. 36

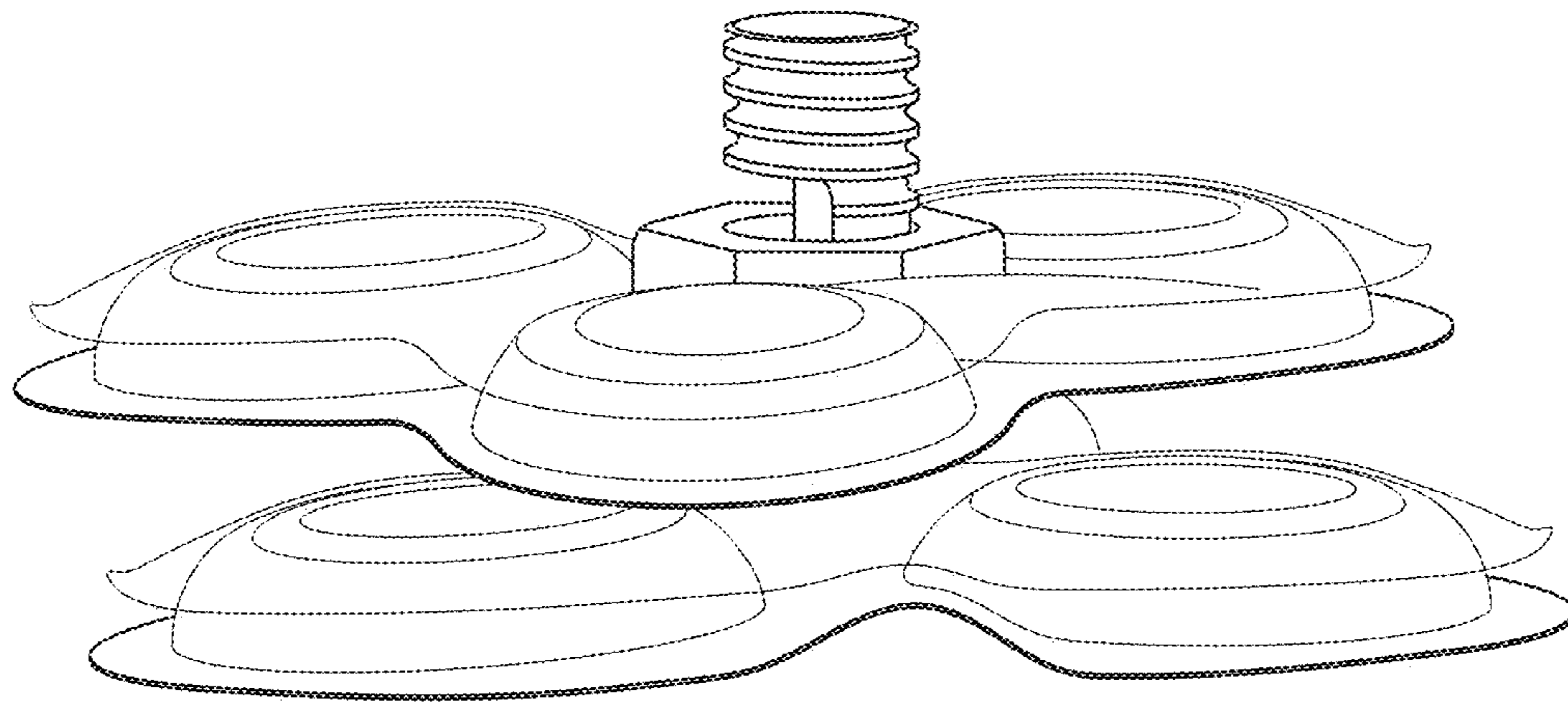


FIG. 37

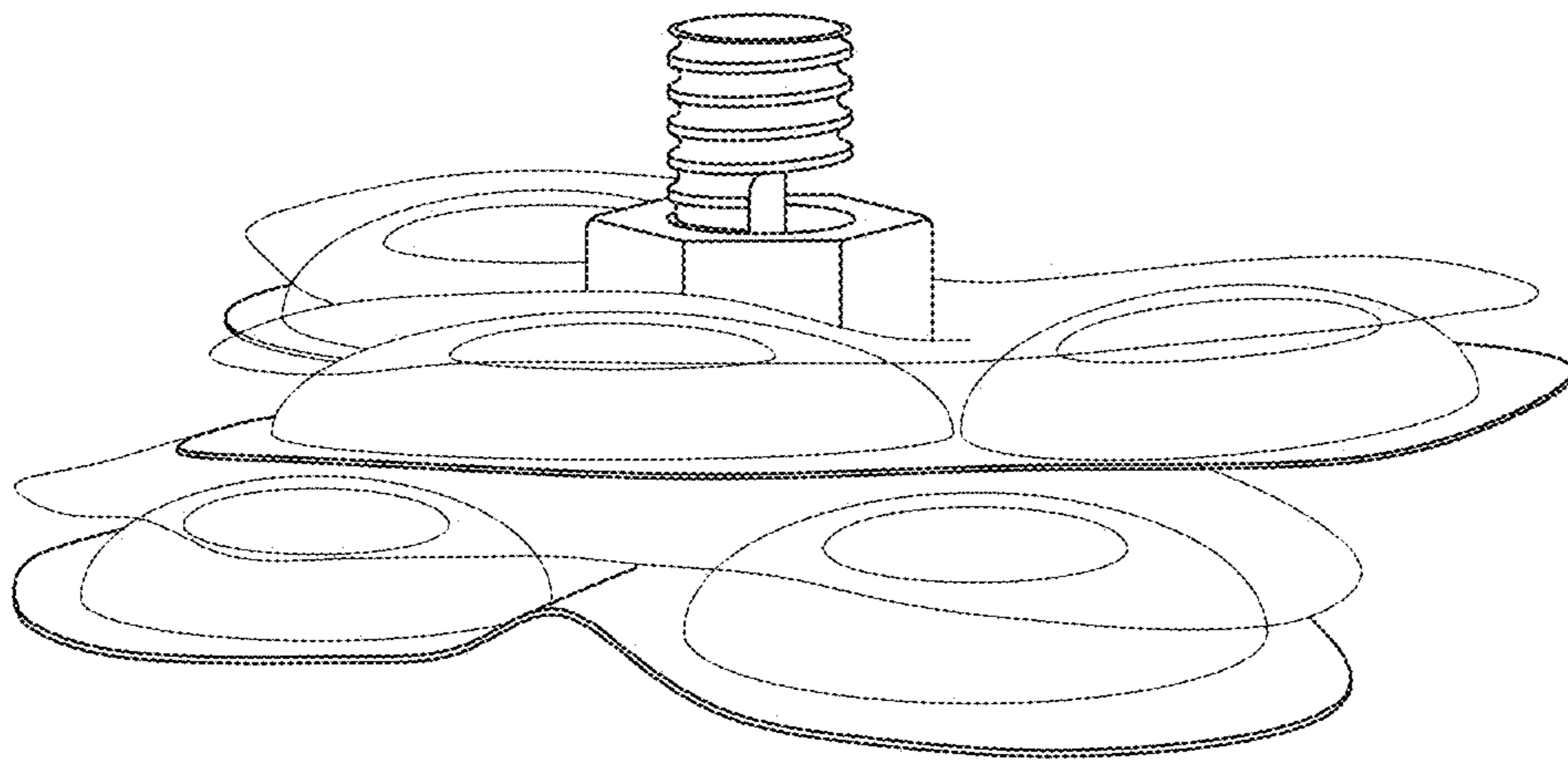


FIG. 38



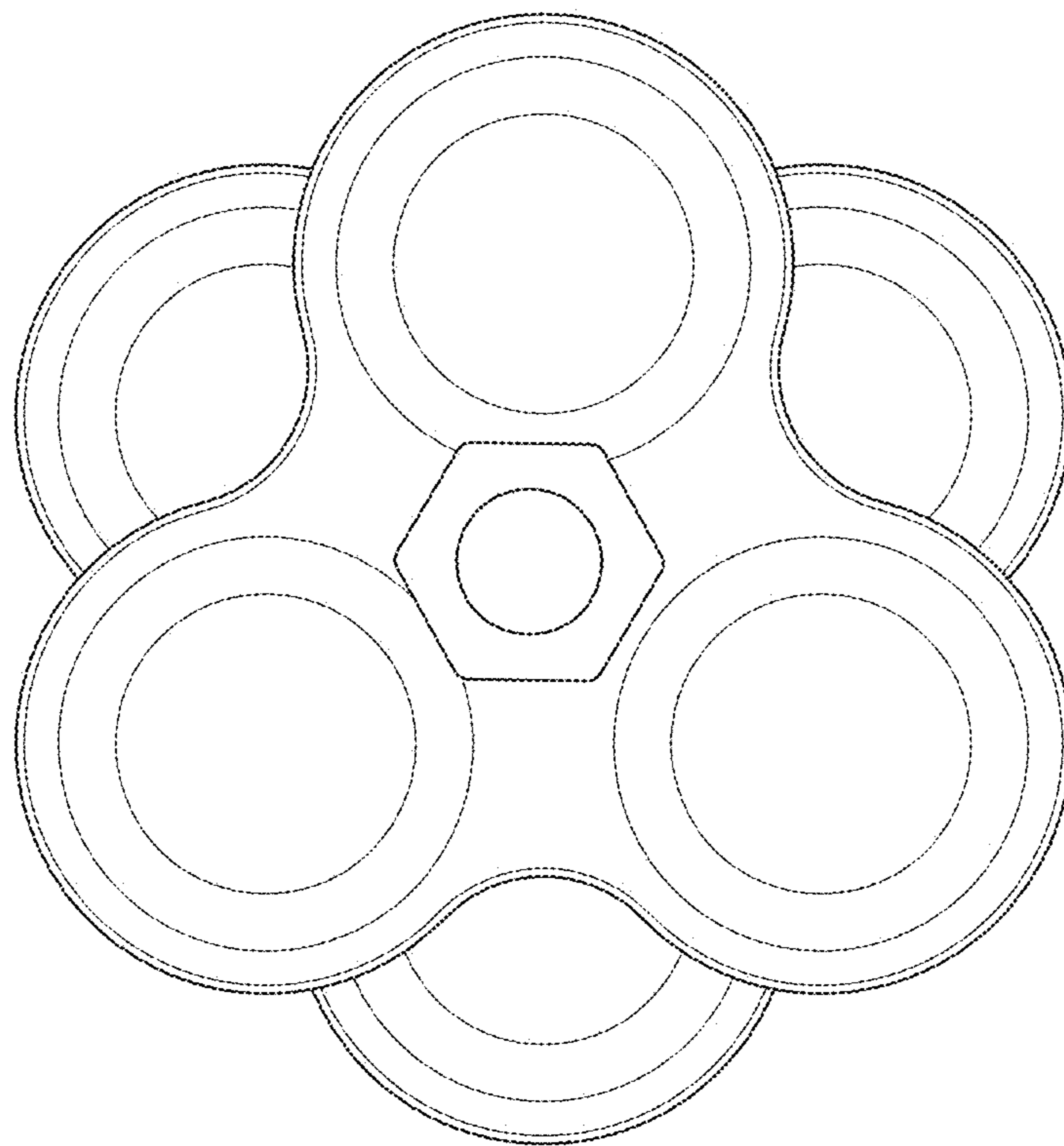


FIG. 39

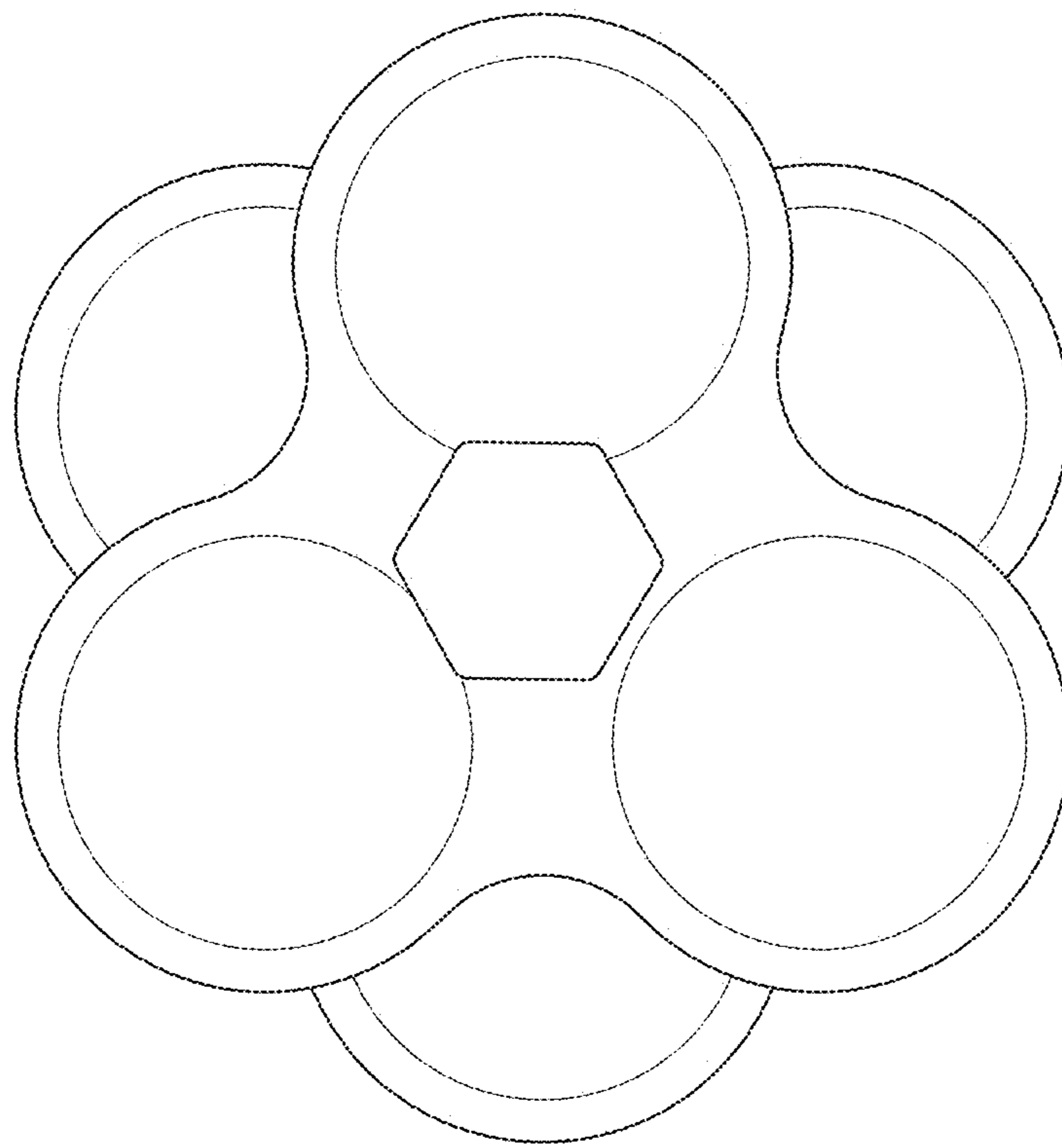


FIG. 40