



US00D964500S

(12) **United States Design Patent** (10) **Patent No.:** **US D964,500 S**
Li (45) **Date of Patent:** **** Sep. 20, 2022**

(54) **LASER SIGHT**
(71) Applicant: **Dongmei Li**, Meishan (CN)
(72) Inventor: **Dongmei Li**, Meishan (CN)
(**) Term: **15 Years**
(21) Appl. No.: **29/798,606**
(22) Filed: **Jul. 8, 2021**
(51) **LOC (13) Cl.** **22-01**
(52) **U.S. Cl.**
USPC **D22/109**
(58) **Field of Classification Search**
USPC D22/100, 102, 103, 109, 113, 116;
D26/38, 60
CPC F41G 1/00; F41G 1/35; F41G 1/36; F41G
11/003
See application file for complete search history.

(56) **References Cited**

U.S. PATENT DOCUMENTS

D542,446 S *	5/2007	DiCarlo	D26/38
D578,599 S	10/2008	Cheng		
D672,005 S *	12/2012	Hedeen	D22/109
D675,281 S	1/2013	Speroni		
D765,212 S *	8/2016	Cheng	D22/109
9,435,522 B2 *	9/2016	Galli	F21V 23/003
D812,178 S *	3/2018	Galli	D22/108
D860,375 S	9/2019	Chavez		
D862,633 S *	10/2019	Tuller	D22/109
D872,334 S *	1/2020	Fan	D22/108
D872,919 S *	1/2020	Fan	D22/108
D940,266 S *	1/2022	Wang	D22/109
D947,312 S *	3/2022	Li	D22/109

2015/0124436 A1 *	5/2015	Galli	F41G 11/003 362/110
2015/0159847 A1 *	6/2015	Galli	F21V 29/70 362/111
2018/0283670 A1 *	10/2018	Galli	F41G 11/003

FOREIGN PATENT DOCUMENTS

CN 306908136 * 10/2021

OTHER PUBLICATIONS

Amazon website, Solofish Pistol Laser Combo, Date first available on Amazon Oct. 15, 2021, [site visited Apr. 15, 2022], Available on the Internet URL <https://www.amazon.com/dp/B09JKDB8V2> (Year: 2021).*

* cited by examiner

Primary Examiner — S. Bryan Reinholdt, Jr.

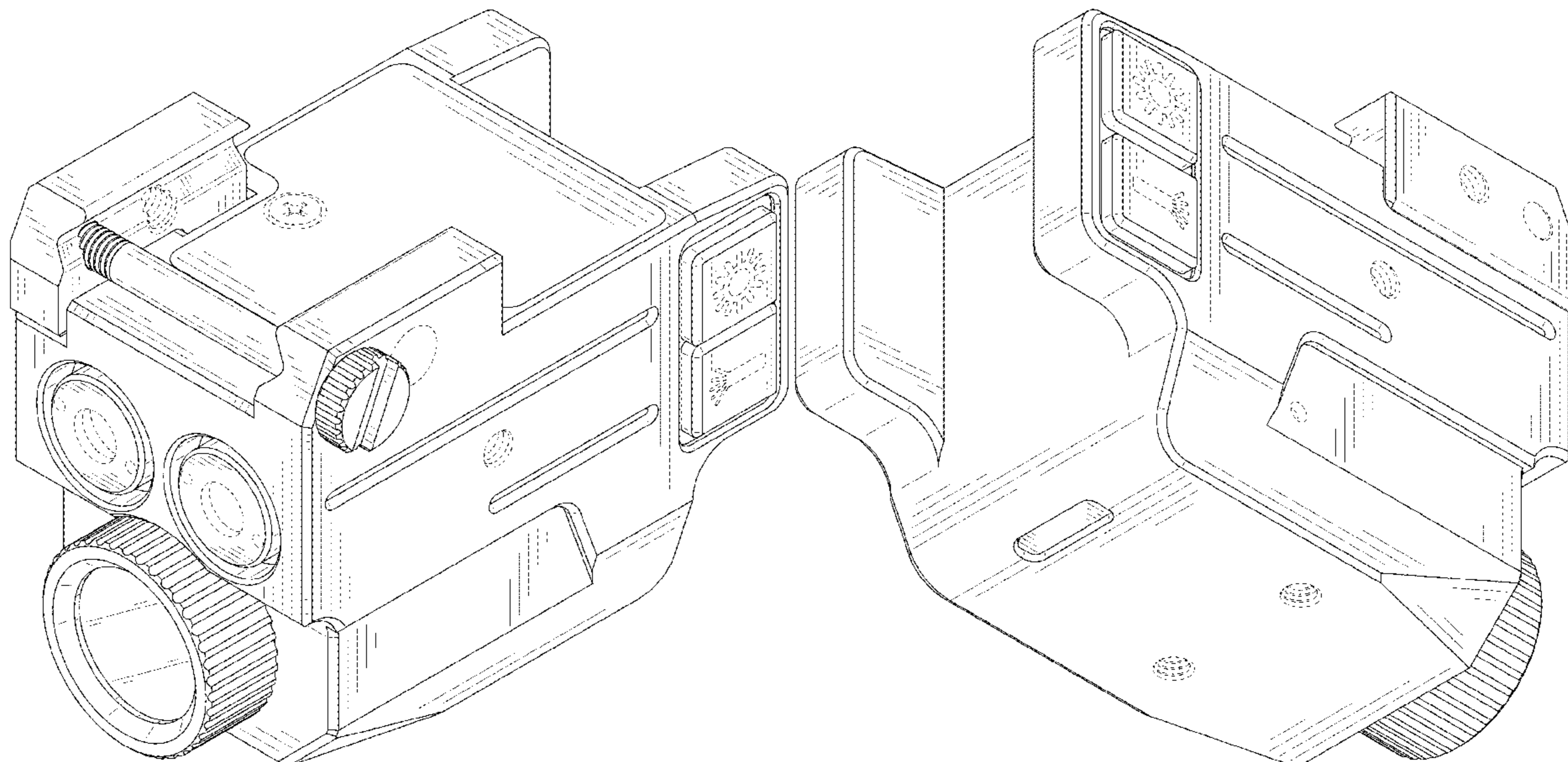
(57) **CLAIM**

The ornamental design for a laser sight, as shown and described.

DESCRIPTION

FIG. 1 is a first perspective view of a laser sight showing my new design;
FIG. 2 is a second perspective view thereof;
FIG. 3 is a front view thereof;
FIG. 4 is a back view thereof;
FIG. 5 is a left side view thereof;
FIG. 6 is a right side view thereof;
FIG. 7 is a top view thereof; and,
FIG. 8 is a bottom view thereof.
The broken lines shown in the drawings depict portions of the laser sight in which the design is embodied that form no part of the claimed design.

1 Claim, 8 Drawing Sheets



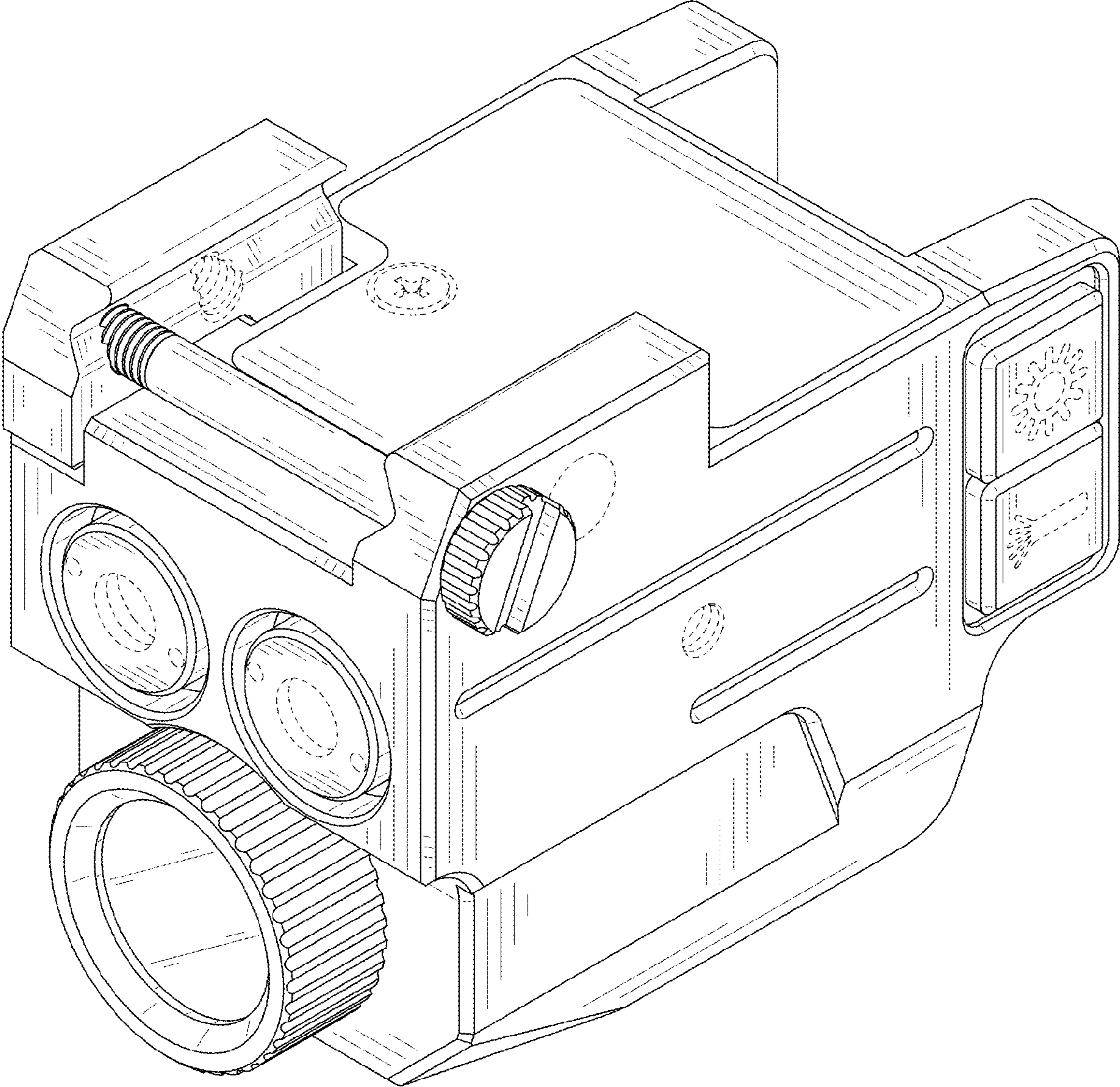


FIG. 1

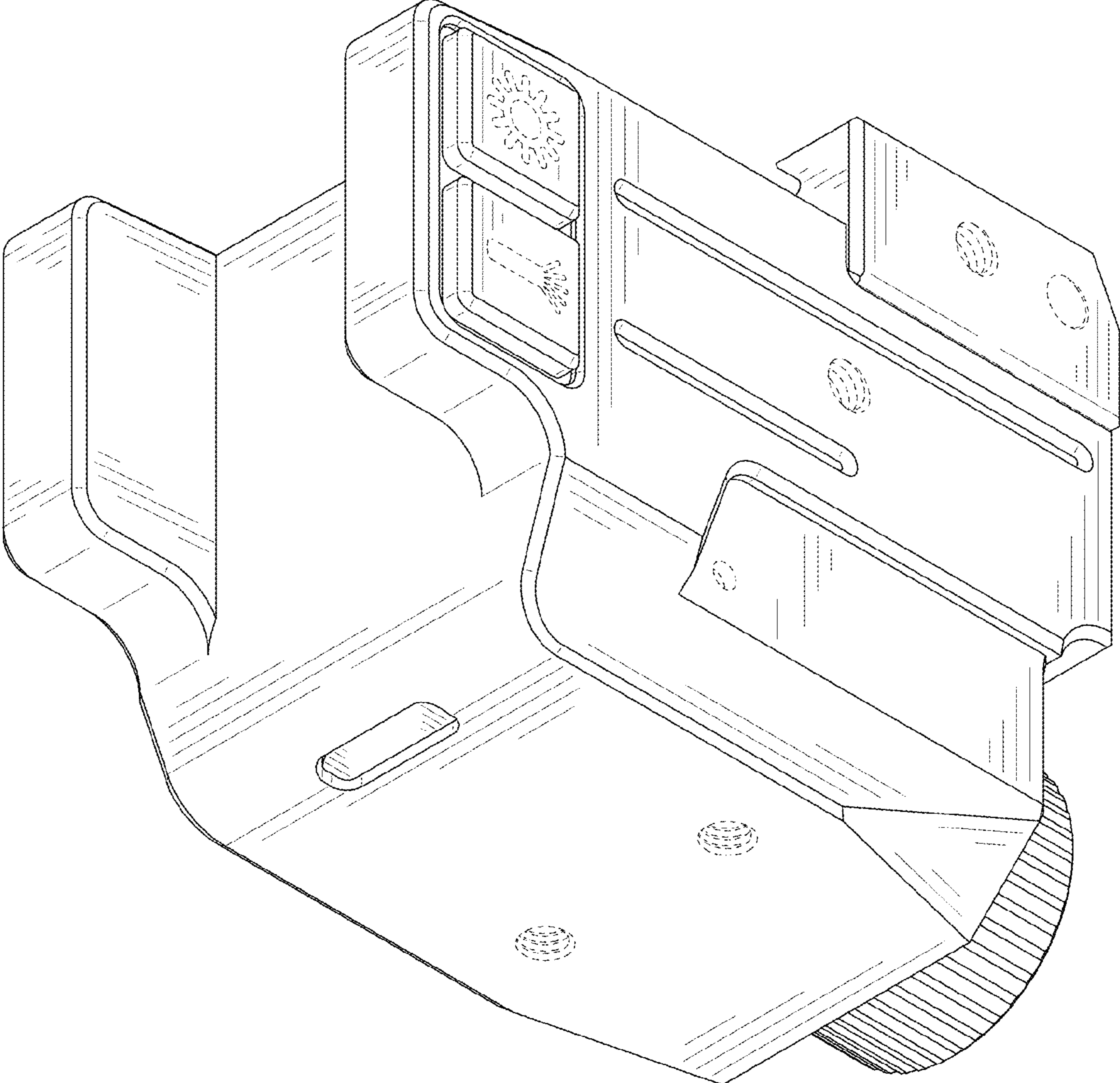


FIG. 2

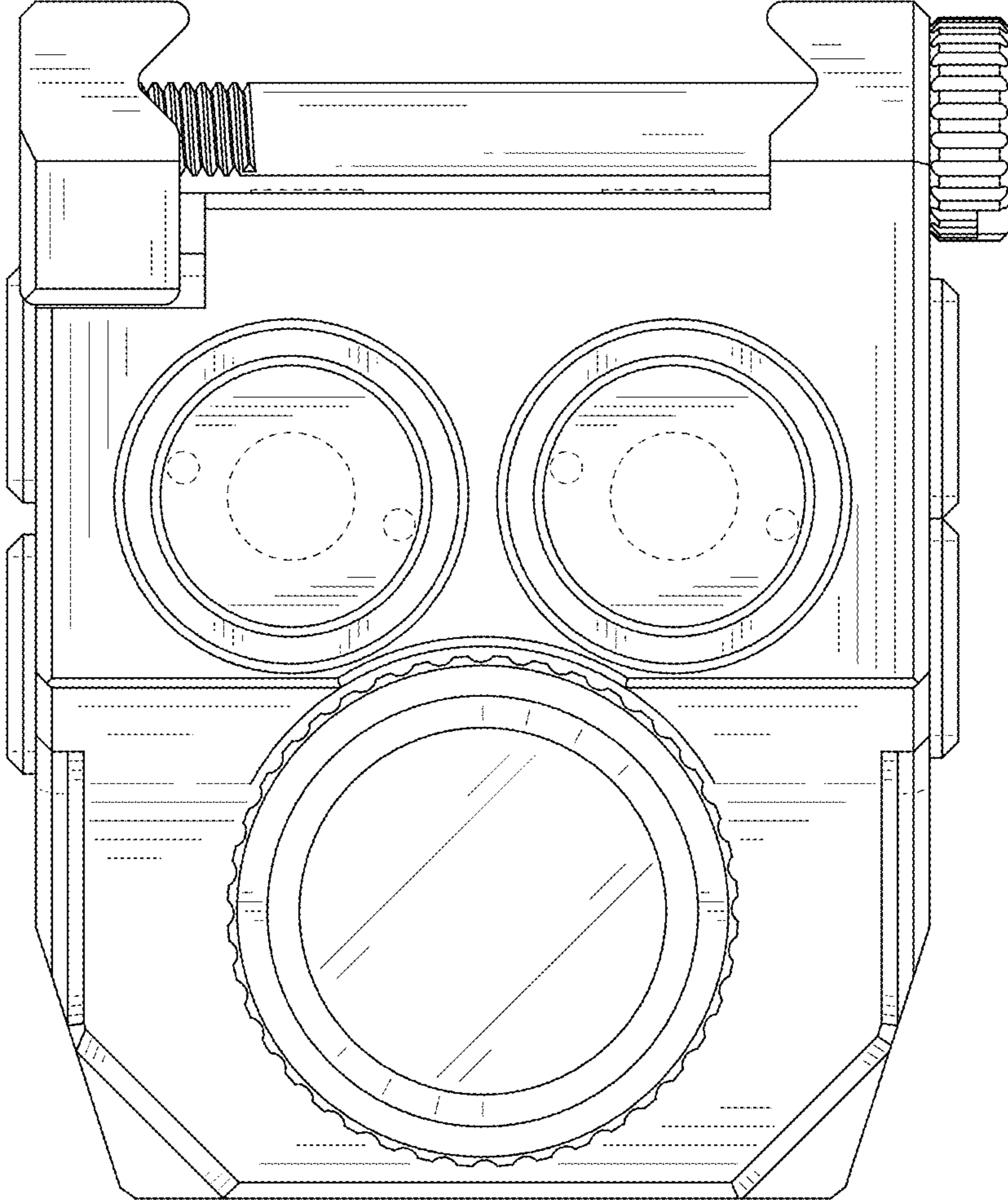


FIG. 3

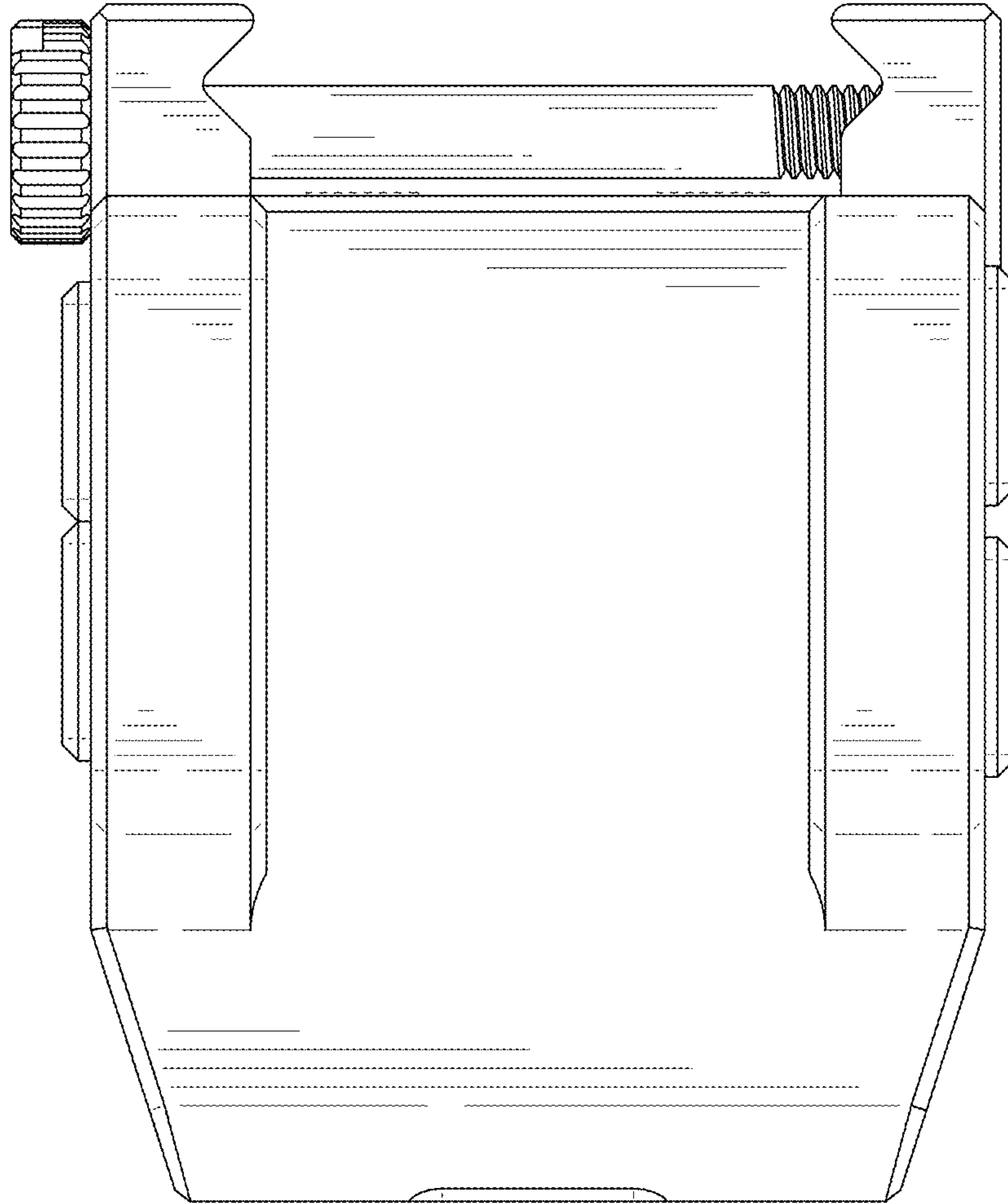


FIG. 4

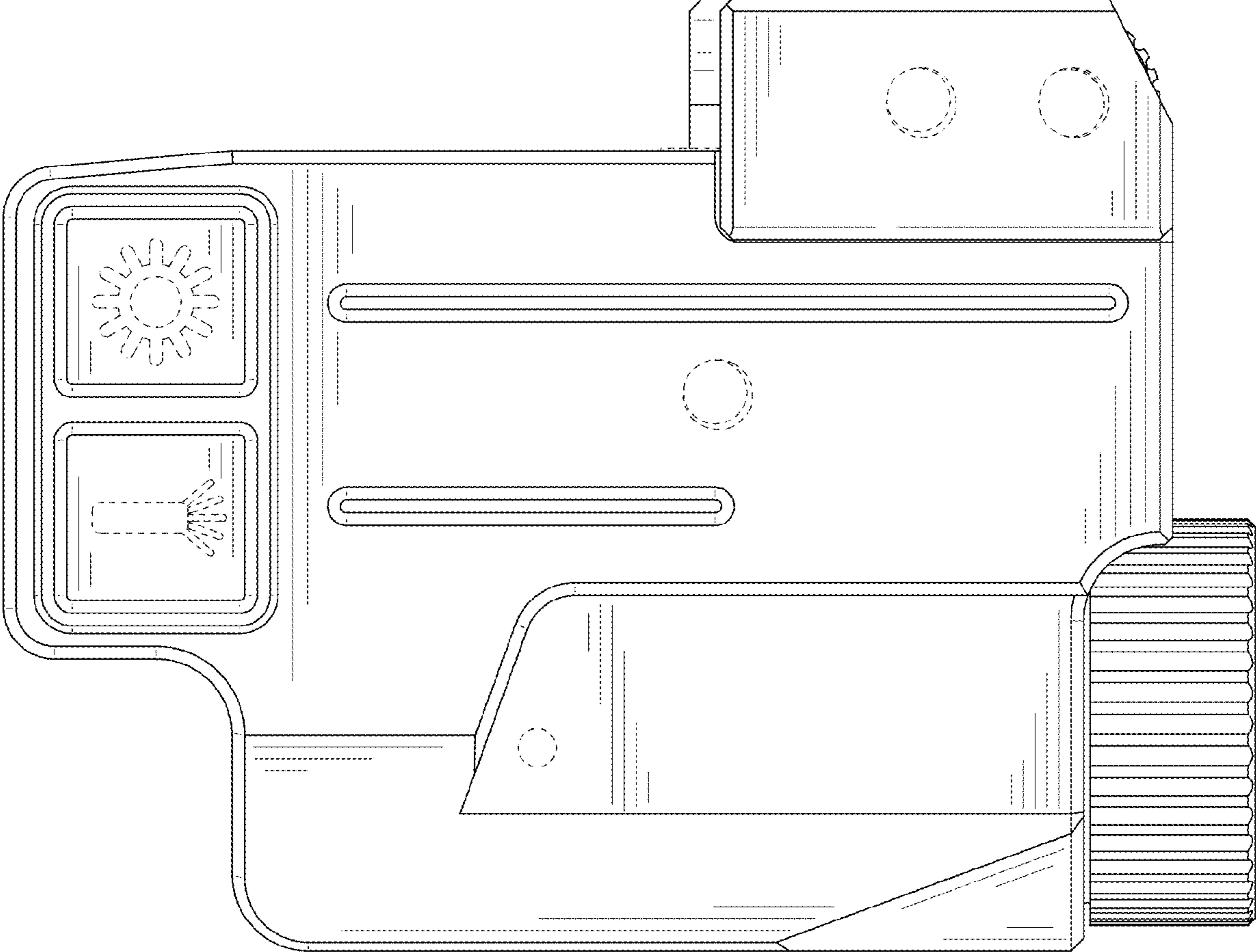


FIG. 5

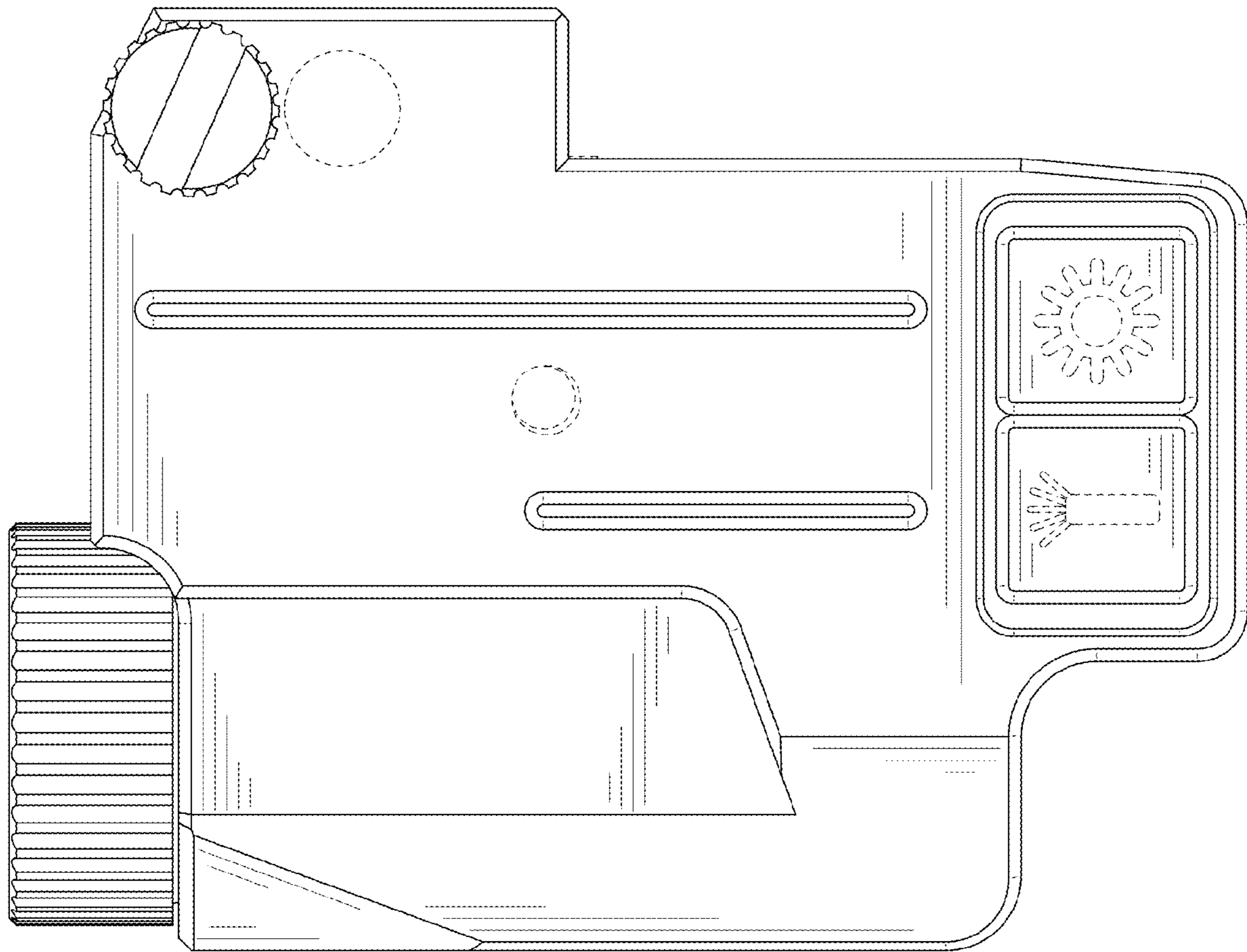


FIG. 6

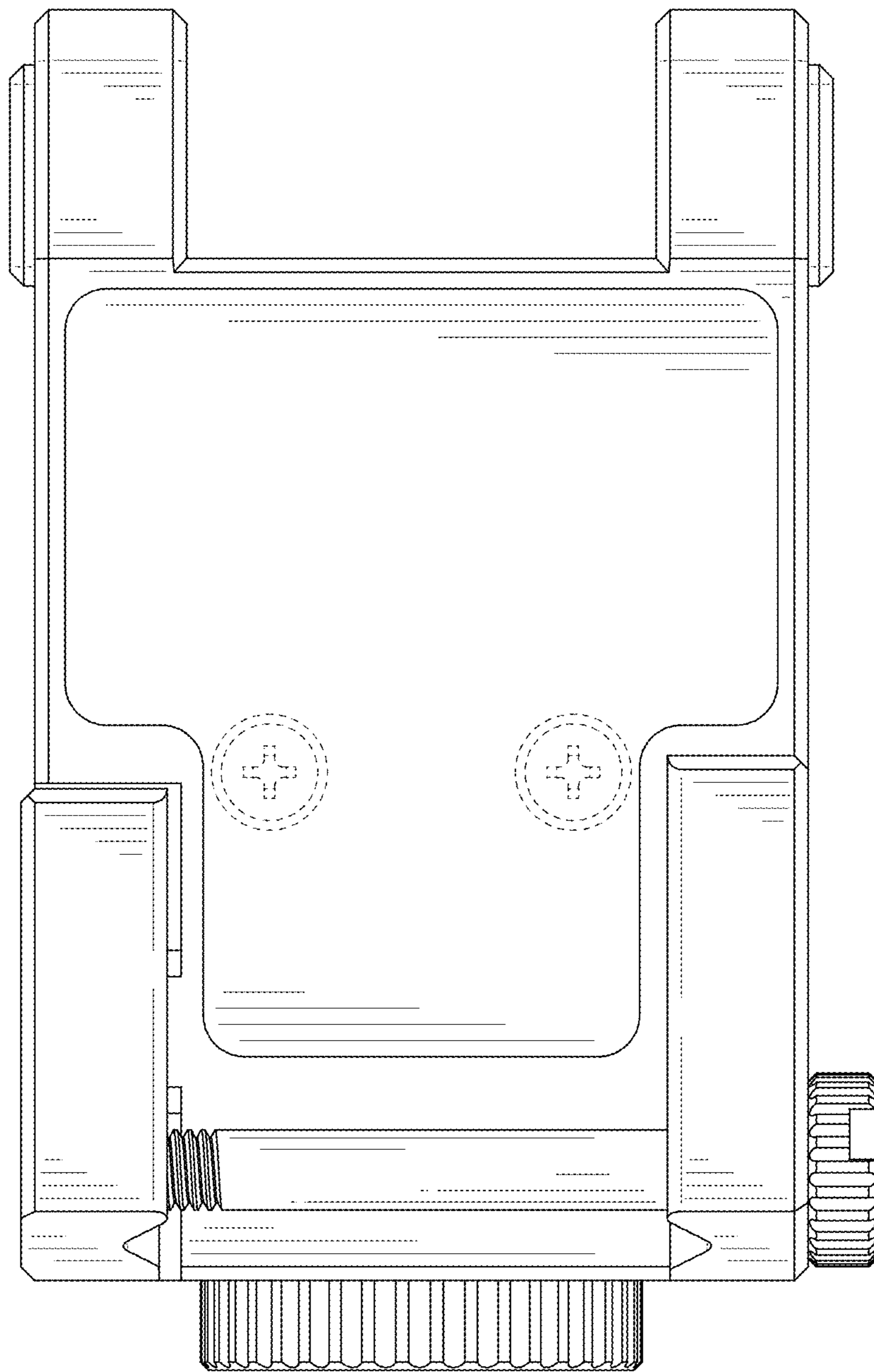


FIG. 7

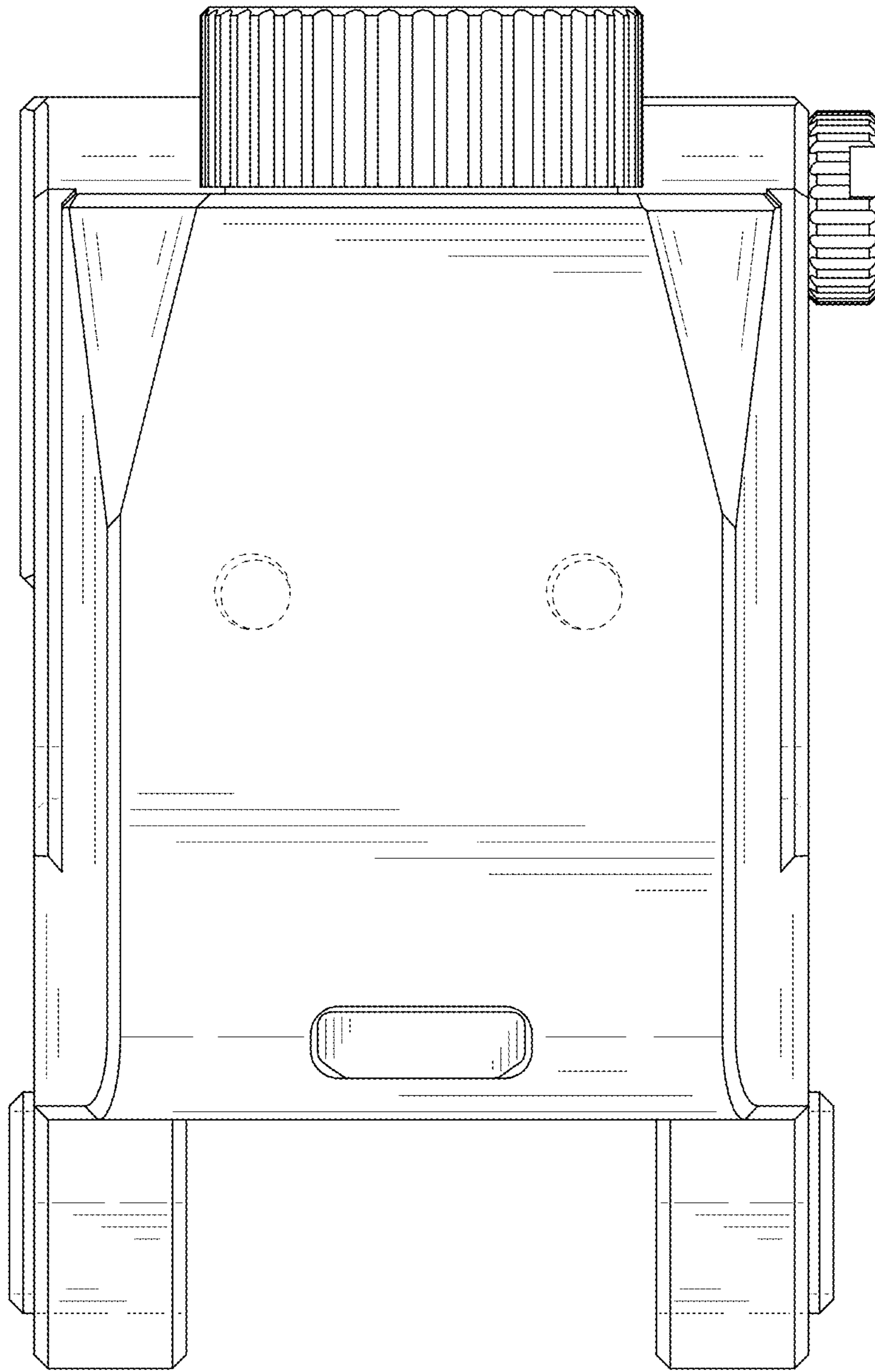


FIG. 8