



US00D964496S

(12) **United States Design Patent** (10) **Patent No.:** **US D964,496 S**
Barrett et al. (45) **Date of Patent:** **** Sep. 20, 2022**

(54) **INFLATABLE DEVICE**

(71) Applicant: **FUNBOY, LLC**, Seattle, WA (US)

(72) Inventors: **Blake Miller Barrett**, Seattle, WA (US); **Maxwell Page Barrett**, Seattle, WA (US)

(73) Assignee: **FUNBOY, LLC**, Seattle, WA (US)

(**) Term: **15 Years**

(21) Appl. No.: **29/751,172**

(22) Filed: **Sep. 18, 2020**

(51) **LOC (13) Cl.** **21-03**

(52) **U.S. Cl.**
USPC **D21/833**; D21/808; D21/835

(58) **Field of Classification Search**
USPC D21/808, 811, 814, 816, 820, 827, 835
CPC .. A63G 31/12; E04H 15/20; E04H 2015/201;
E04H 2015/202; E04H 2015/204; E04H
2015/209; A63H 3/06
See application file for complete search history.

(56) **References Cited**

U.S. PATENT DOCUMENTS

5,512,002	A *	4/1996	Lieberman	A63H 17/00 446/221
D417,481	S *	12/1999	Schwartz	D12/401
D437,022	S *	1/2001	Gourchounian	D21/835
D437,380	S *	2/2001	Gourchounian	D21/835
D509,876	S *	9/2005	Sagol	D21/816
D563,500	S *	3/2008	Gong	D21/816
D870,834	S *	12/2019	Hsu	D21/814

OTHER PUBLICATIONS

Tee off with Funboy, posted by Funboy Apr. 14, 2020, [online], [site visited May 5, 2022]. Available from Internet: <URL:https://www.youtube.com/watch?v=Wy-E5iqPehY> (Year: 2020).*

* cited by examiner

Primary Examiner — Cynthia M. Chin

(74) *Attorney, Agent, or Firm* — Lee & Hayes, P.C.

(57) **CLAIM**

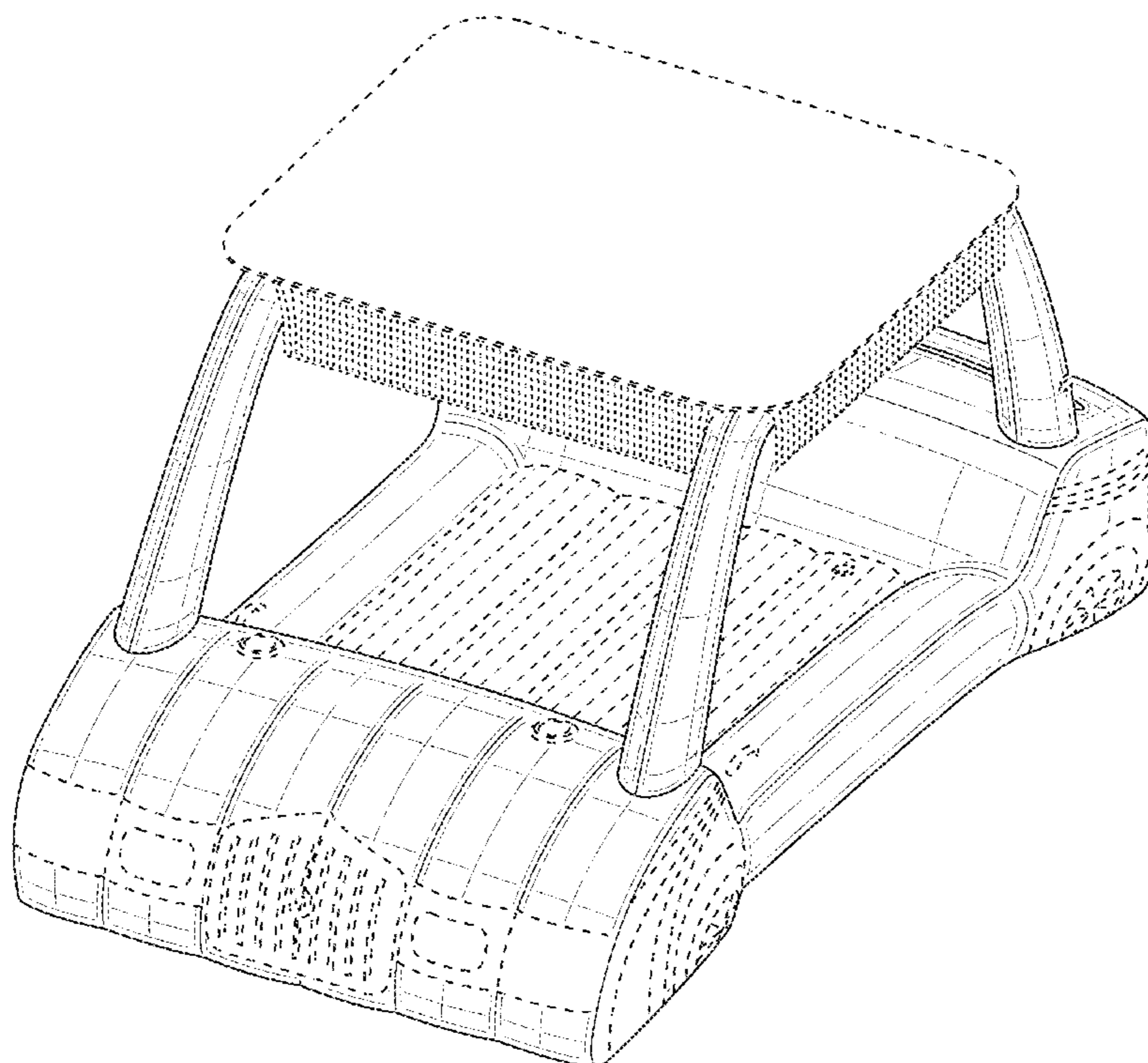
The ornamental design for an inflatable device, as shown and described.

DESCRIPTION

FIG. 1 is a top, front, right-side perspective view of an inflatable device; FIG. 2 is a back, bottom, left-side perspective view thereof; FIG. 3 is a front view thereof; FIG. 4 is a back view thereof; FIG. 5 is a left-side view thereof; FIG. 6 is a right-side view thereof; FIG. 7 is a top view thereof; and, FIG. 8 is a bottom view thereof.

The longer dashed broken lines depict portions of the inflatable device that form no part of the claimed design. The shorter dashed broken lines depict a fringe trim material of the inflatable device that forms no part of the claimed design.

1 Claim, 8 Drawing Sheets



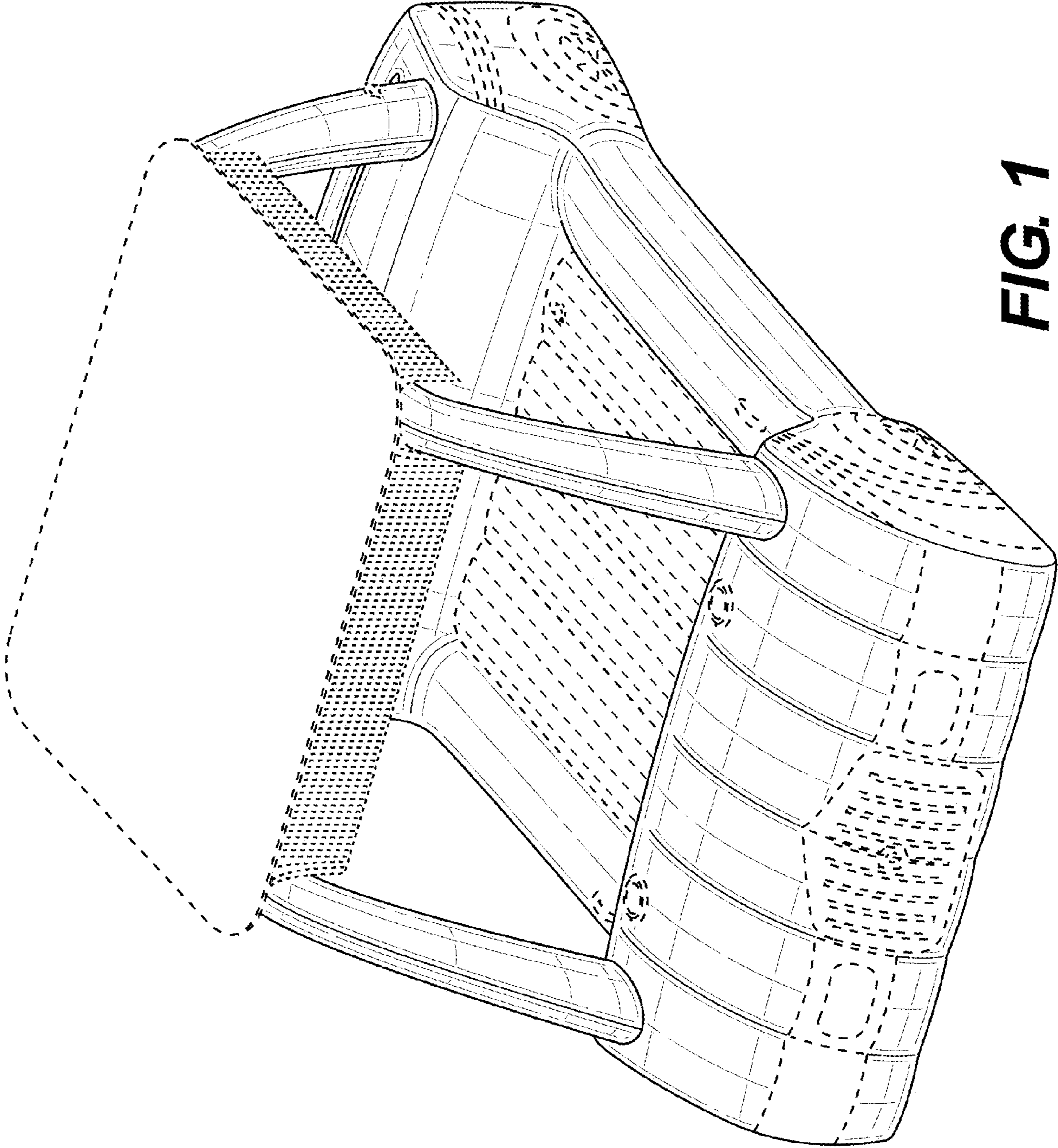


FIG. 1

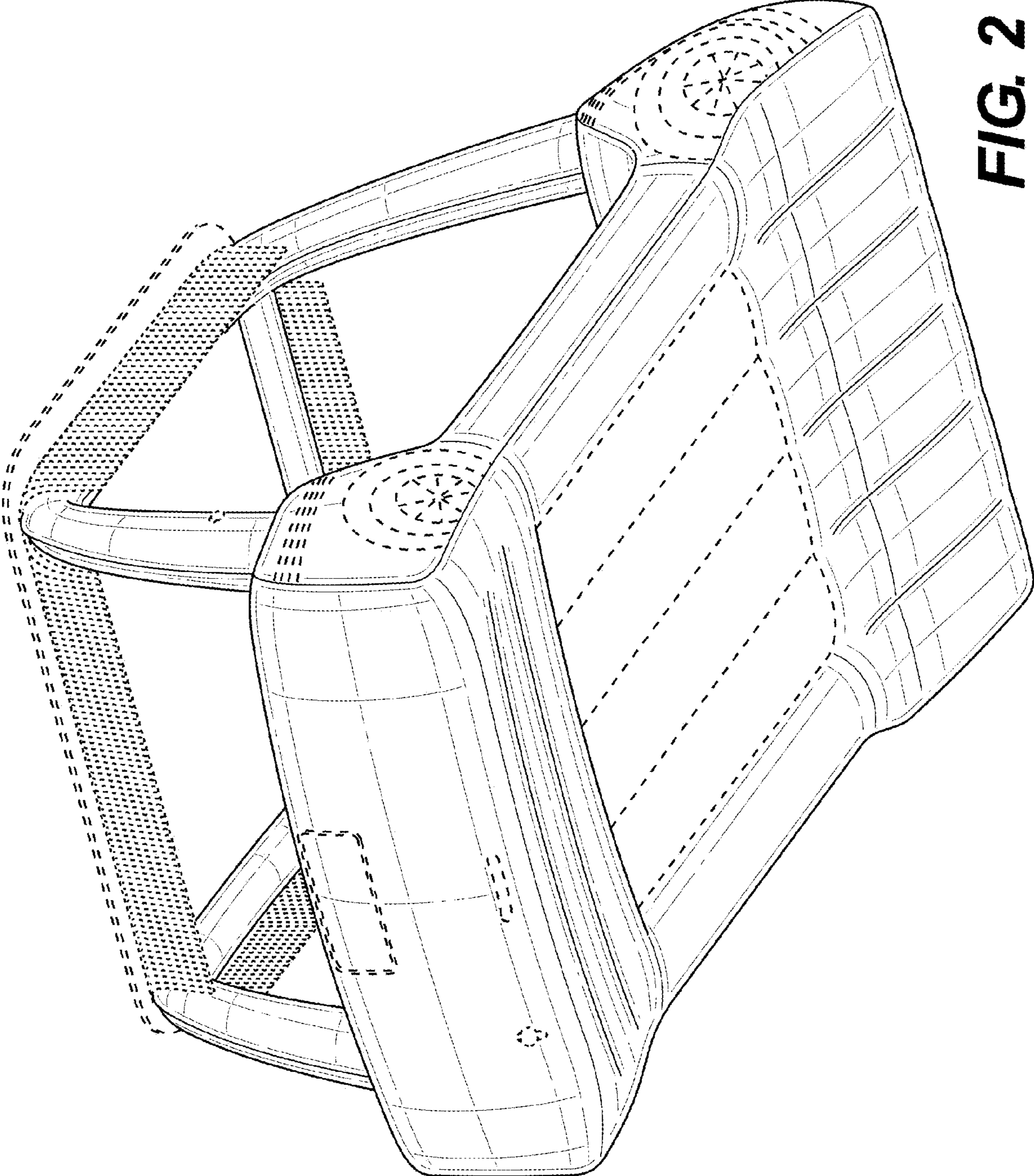


FIG. 2

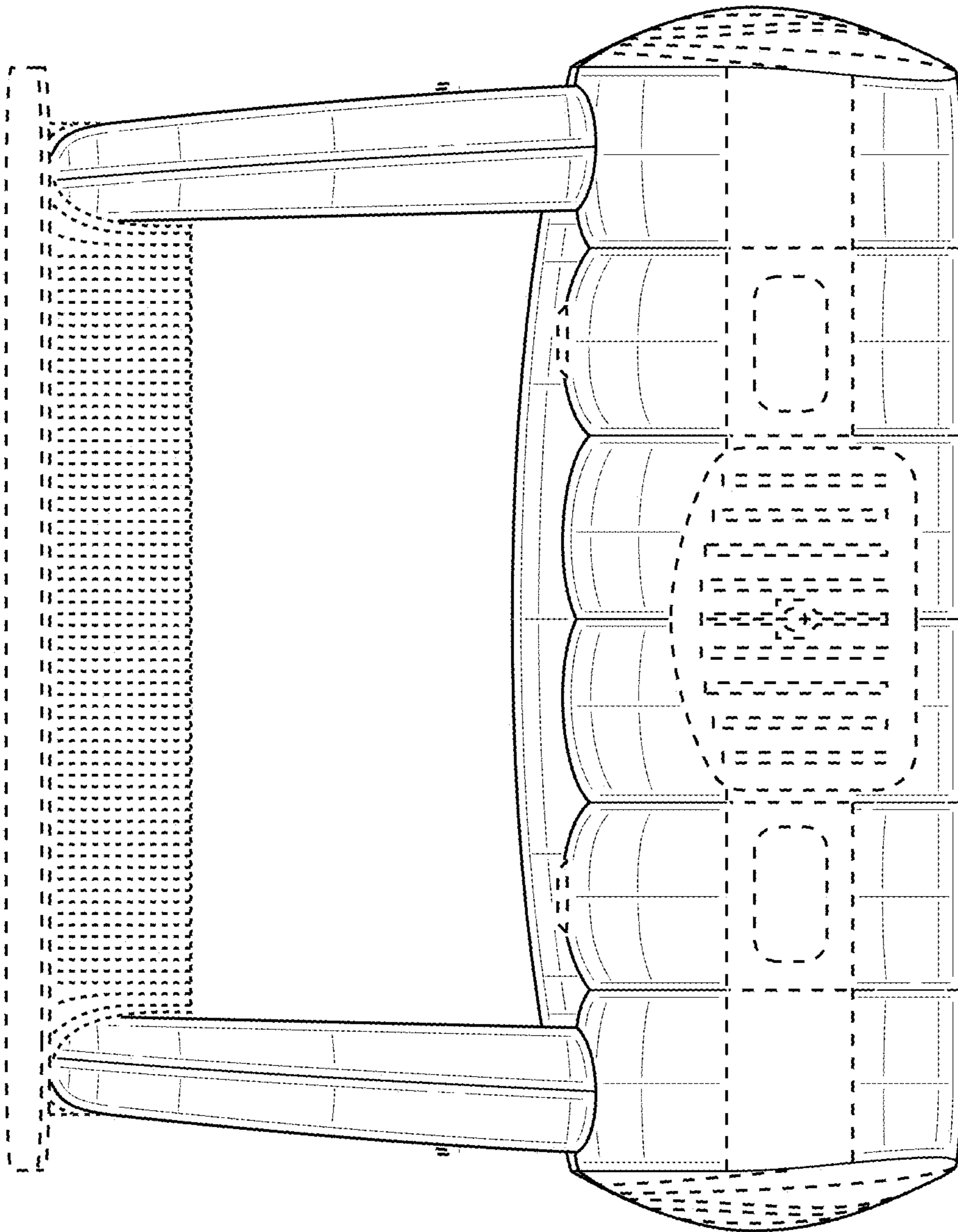


FIG. 3

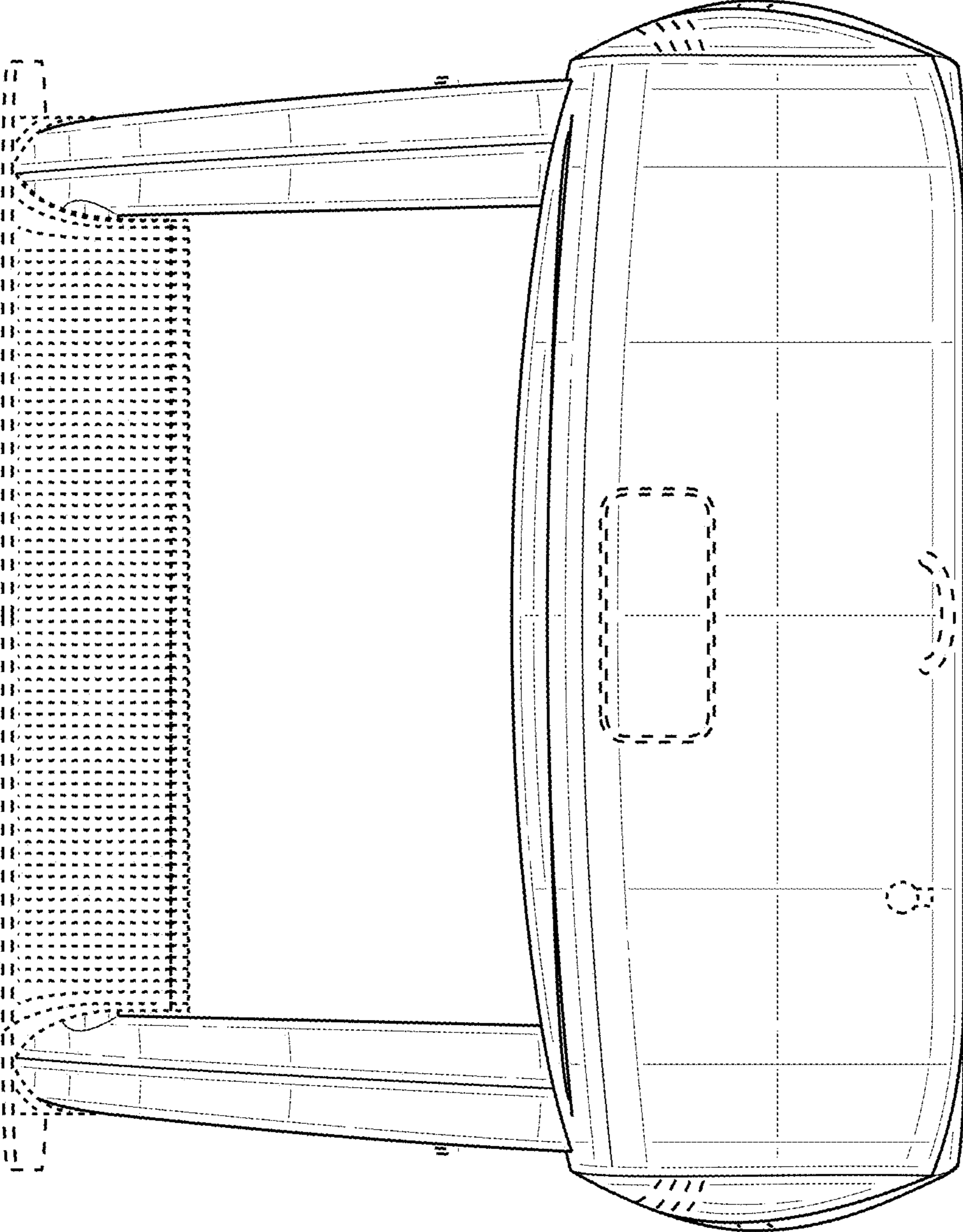


FIG. 4

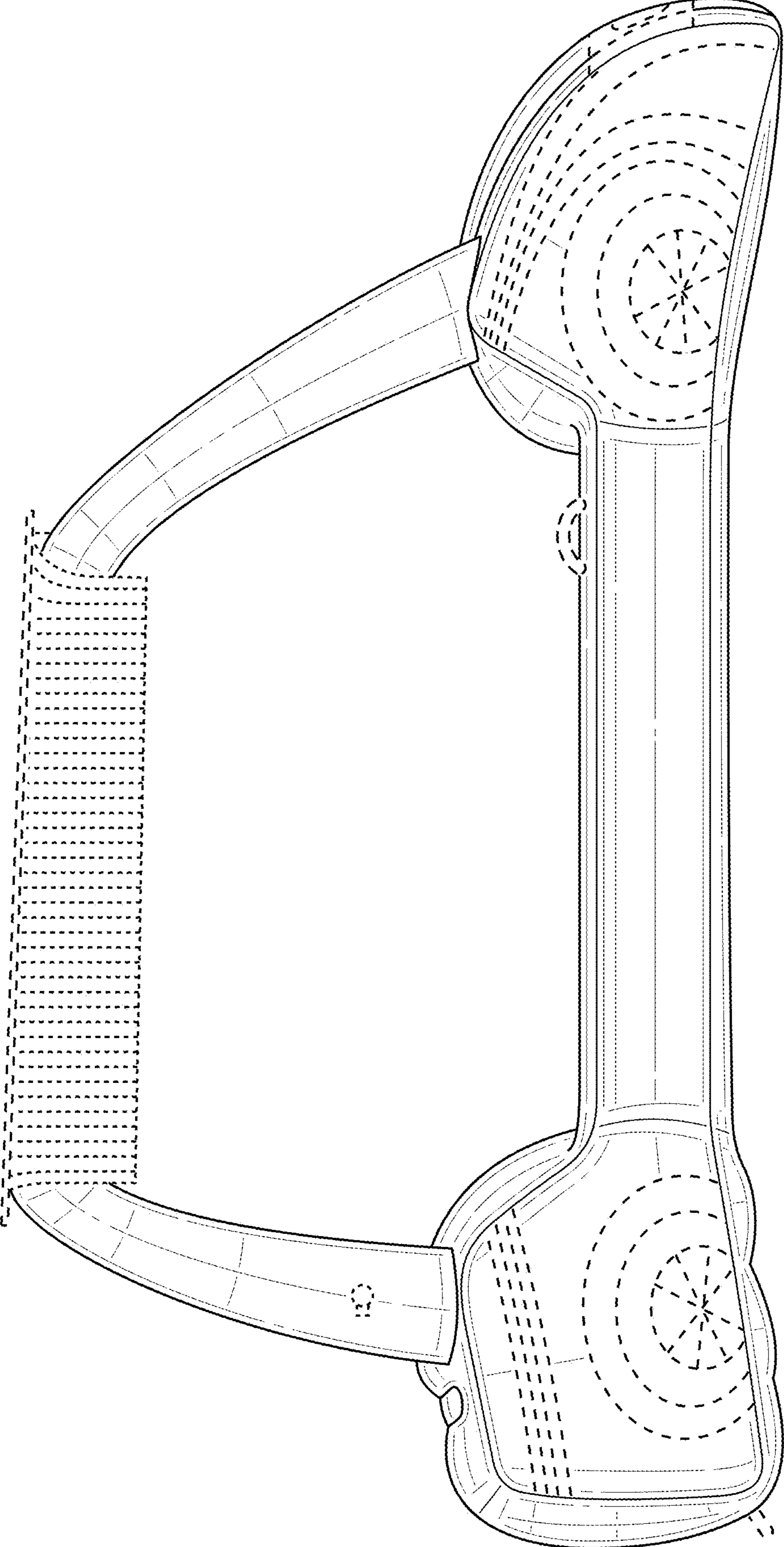


FIG. 5

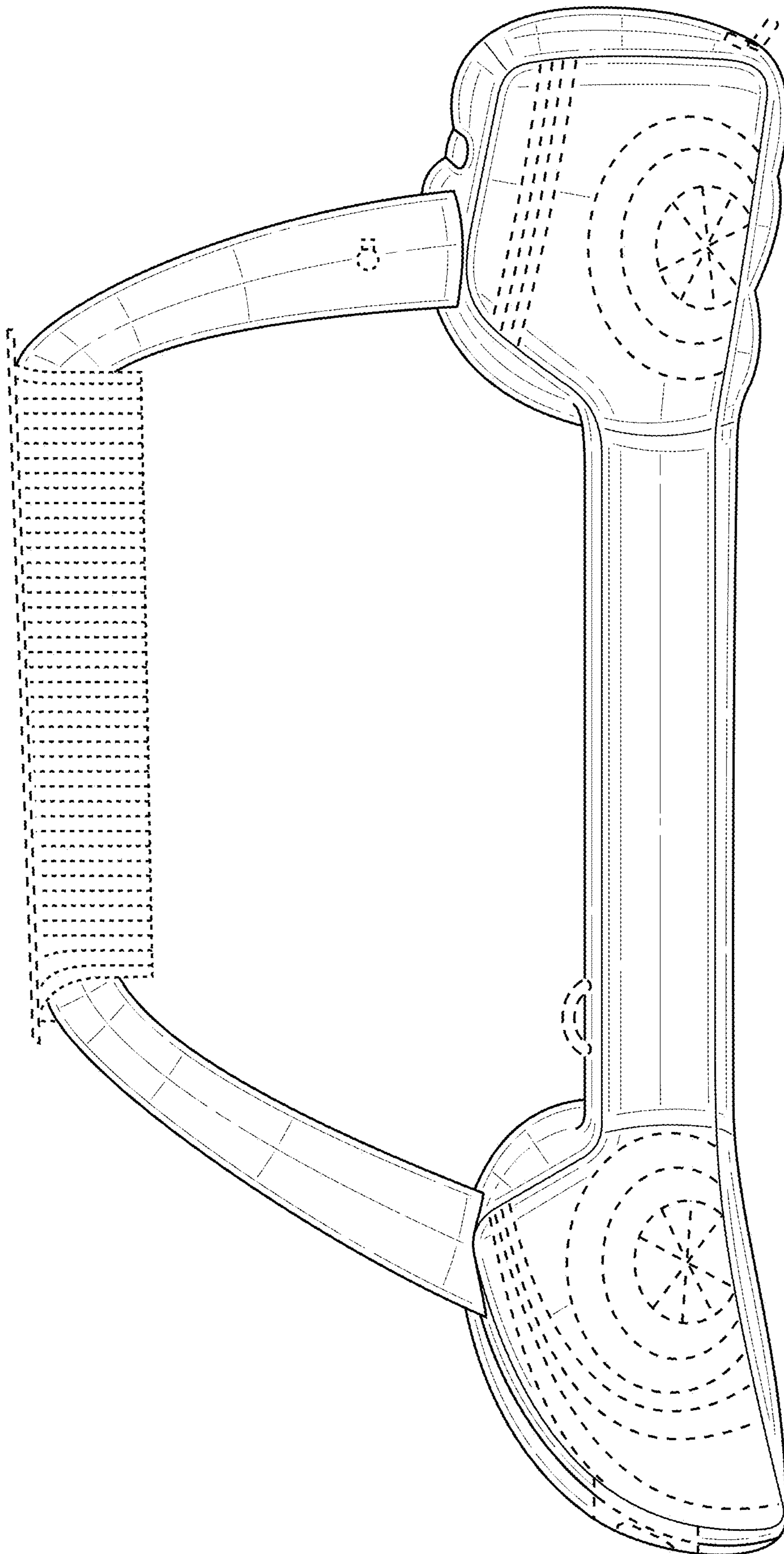


FIG. 6

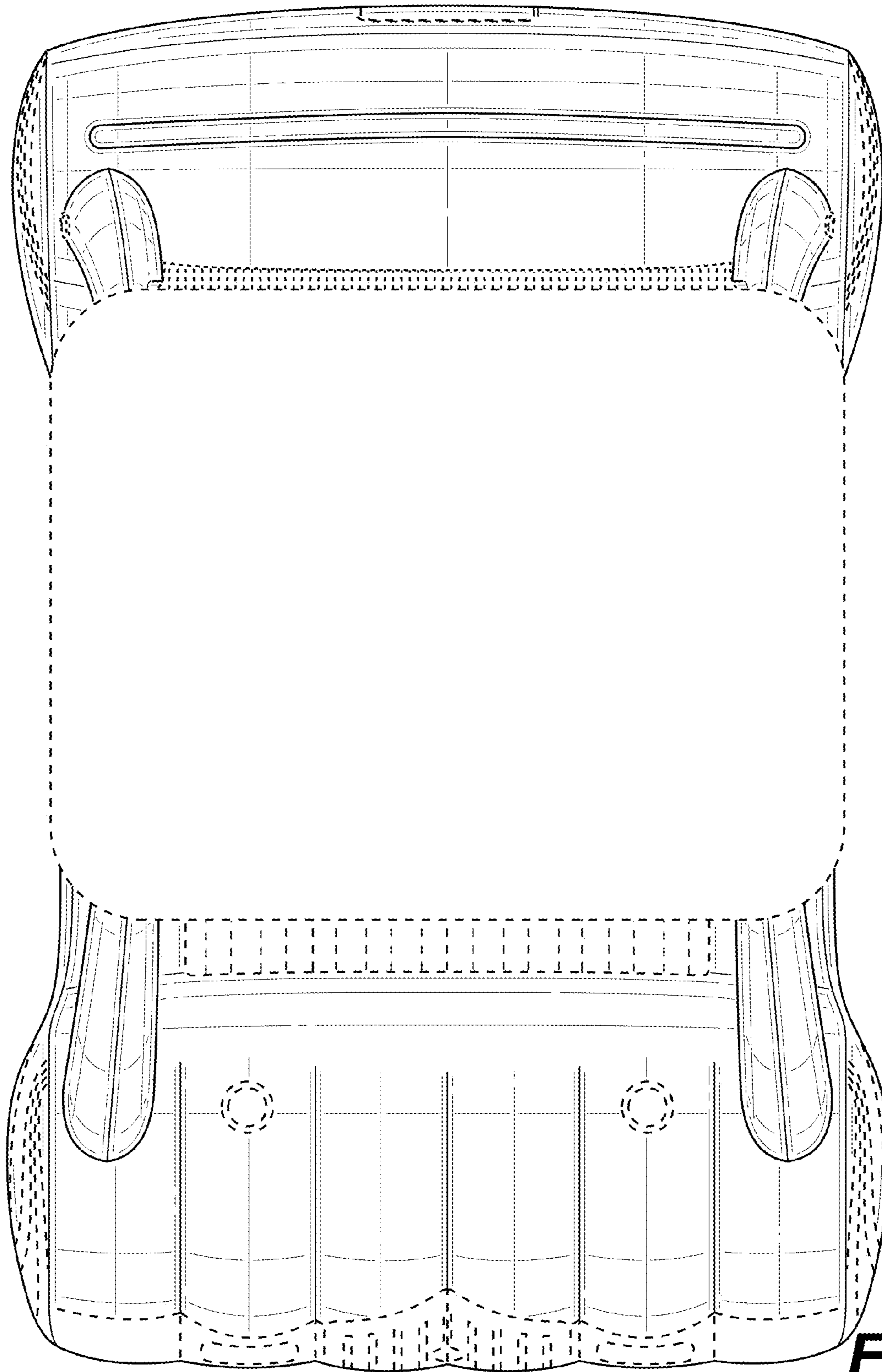


FIG. 7

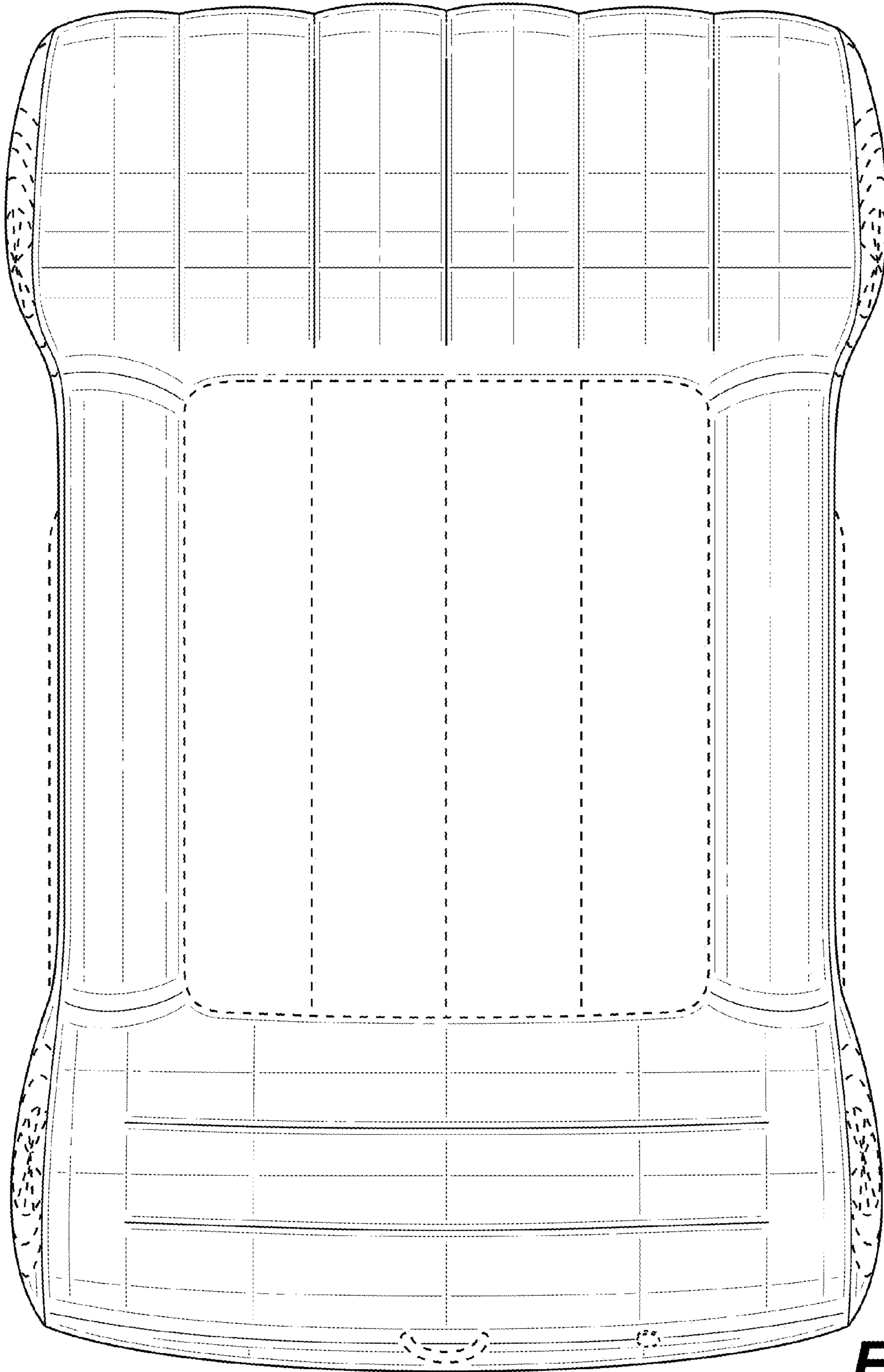


FIG. 8