



US00D964495S

(12) **United States Design Patent** (10) **Patent No.:** **US D964,495 S**
Sweet, Jr. et al. (45) **Date of Patent:** **** Sep. 20, 2022**

- (54) **GOLF BALL MARKER**
- (71) Applicants: **Richard Edward Sweet, Jr.**, Leland, NC (US); **Jean Margaret Sweet**, Leland, NC (US); **TJ E. Crews**, Leland, NC (US)
- (72) Inventors: **Richard Edward Sweet, Jr.**, Leland, NC (US); **Jean Margaret Sweet**, Leland, NC (US); **TJ E. Crews**, Leland, NC (US)
- (**) Term: **15 Years**
- (21) Appl. No.: **29/652,791**
- (22) Filed: **Dec. 1, 2020**
- (51) **LOC (13) Cl.** **21-02**
- (52) **U.S. Cl.**
USPC **D21/794**
- (58) **Field of Classification Search**
USPC D21/793, 794, 789, 319; D8/1, 4, 14, 18, D8/79, 80, 47; D7/664, 653
See application file for complete search history.

- (56) **References Cited**
U.S. PATENT DOCUMENTS
D246,989 S * 1/1978 Higgins D24/129
D565,687 S * 4/2008 Kung D21/793
D566,217 S * 4/2008 Carter D21/789

- D730,464 S * 5/2015 Cameron D21/743
- D826,355 S * 8/2018 Kenny D21/793
- D890,873 S * 7/2020 Kenny D21/793
- D944,912 S * 3/2022 Sweet, Jr. D21/794

* cited by examiner

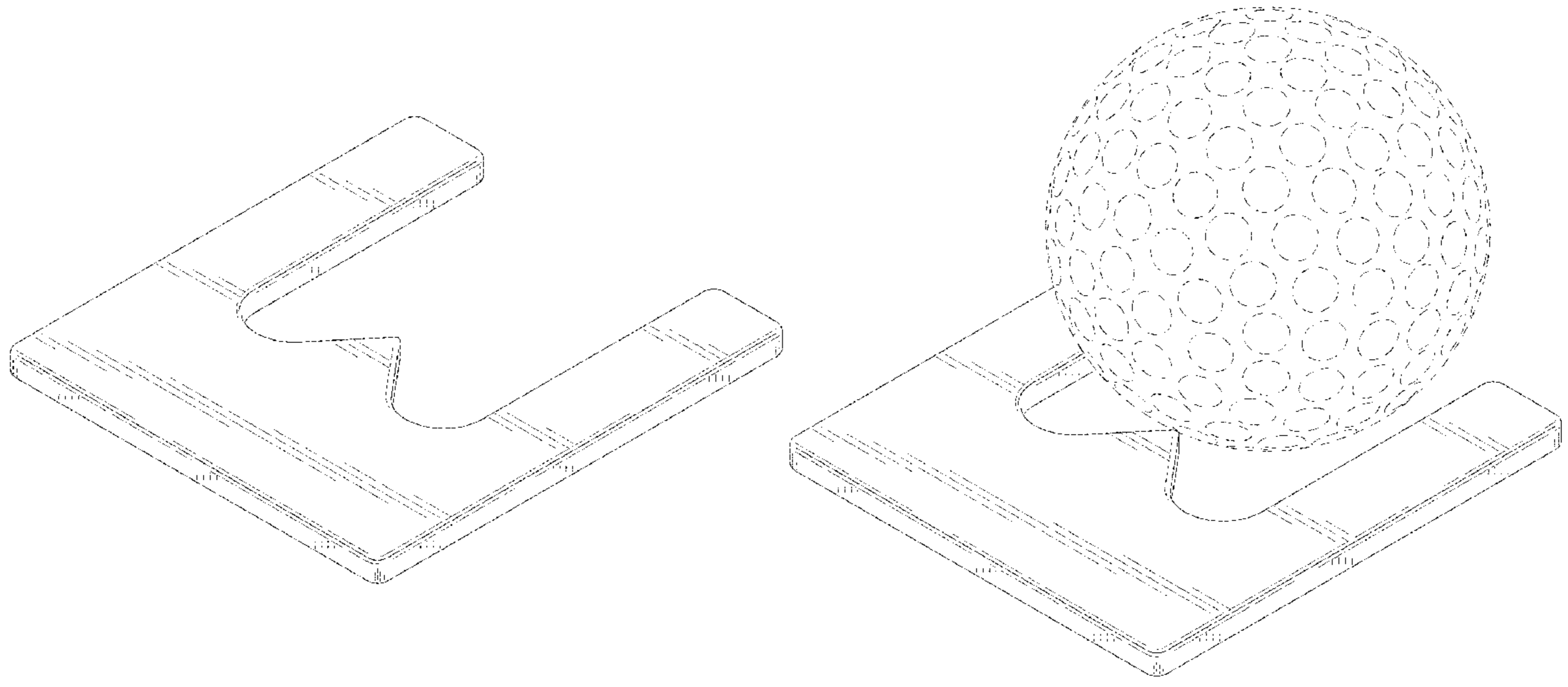
Primary Examiner — Khawaja Anwar
Assistant Examiner — Julice Seung Eun Oum
(74) *Attorney, Agent, or Firm* — Dunlap Bennett & Ludwig, PLLC

(57) **CLAIM**
The ornamental design for a golf ball marker, as shown and described.

DESCRIPTION

FIG. 1 is a top rear perspective view of a golf ball marker, showing our new design;
FIG. 2 is a top front perspective view thereof;
FIG. 3 is a top plan view thereof, the bottom plan view being a mirror image thereof;
FIG. 4 is a left-side elevation view thereof, the right-side elevation view being an identical image thereof;
FIG. 5 is a rear elevation view thereof;
FIG. 6 is a front elevation view thereof; and,
FIG. 7 is a top rear perspective view of the golf ball marker, shown in use.
The broken lines showing a golf ball in FIG. 7 depicts environmental subject matter that forms no part of the claimed design.

1 Claim, 4 Drawing Sheets



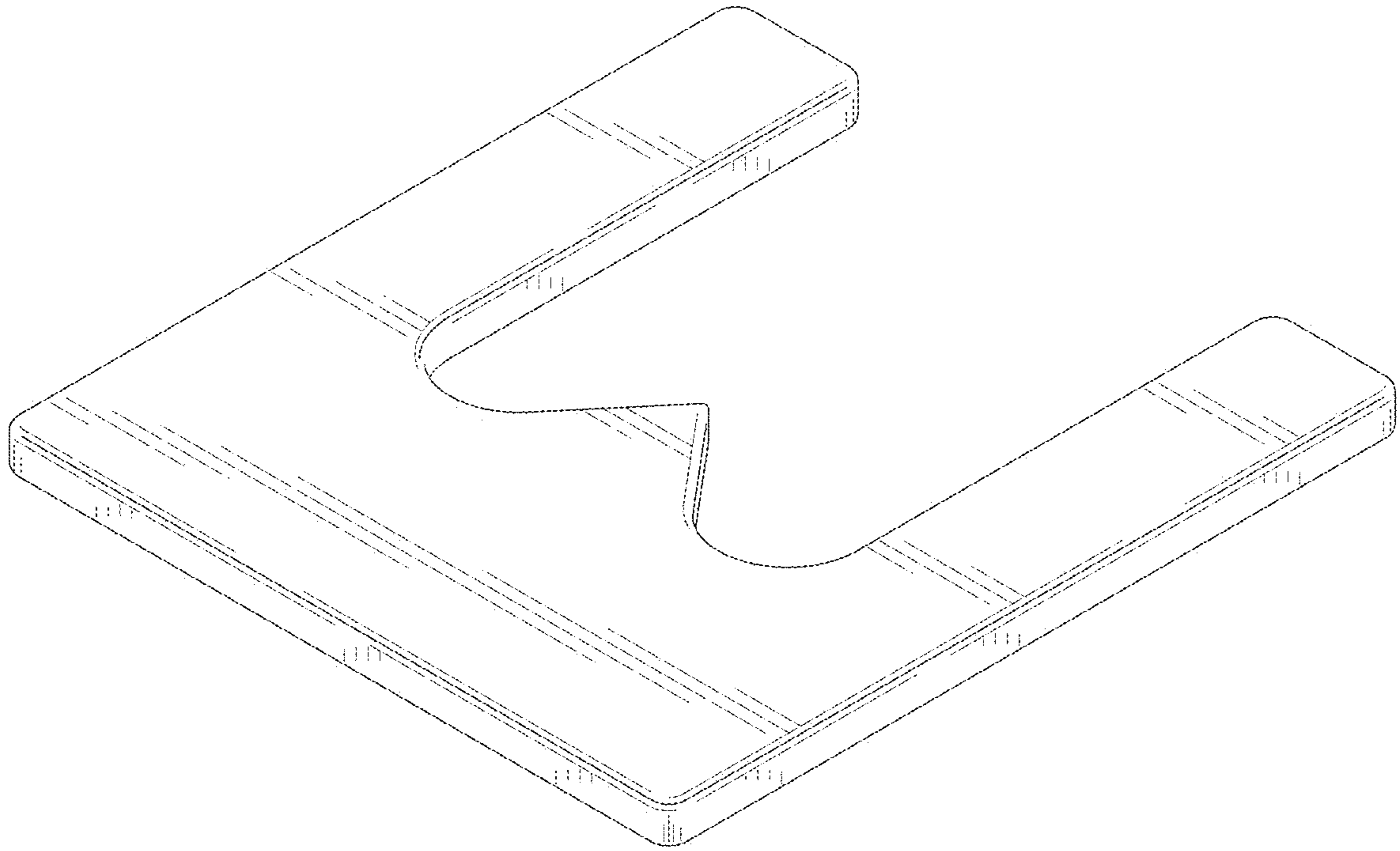


FIG. 1

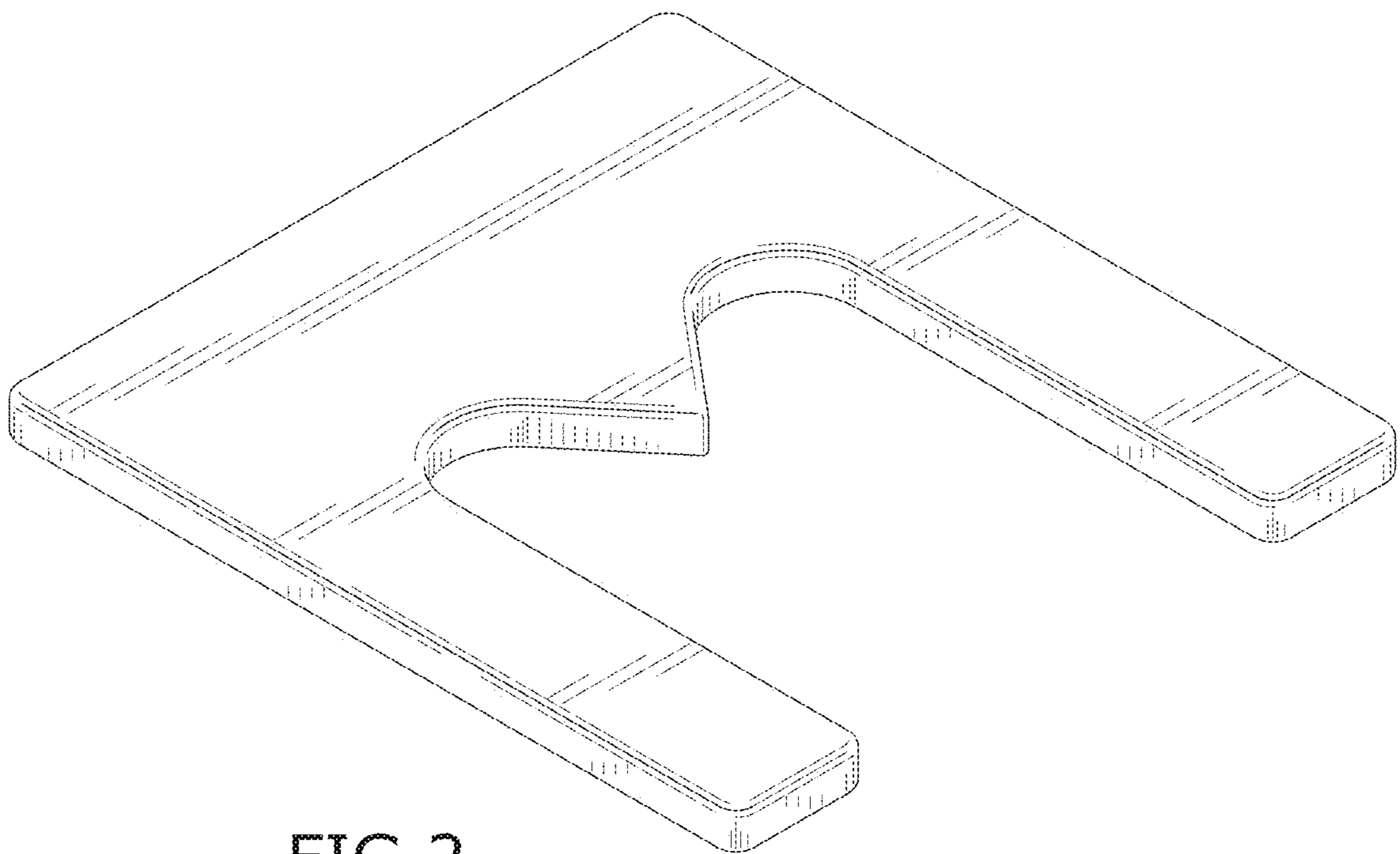


FIG. 2

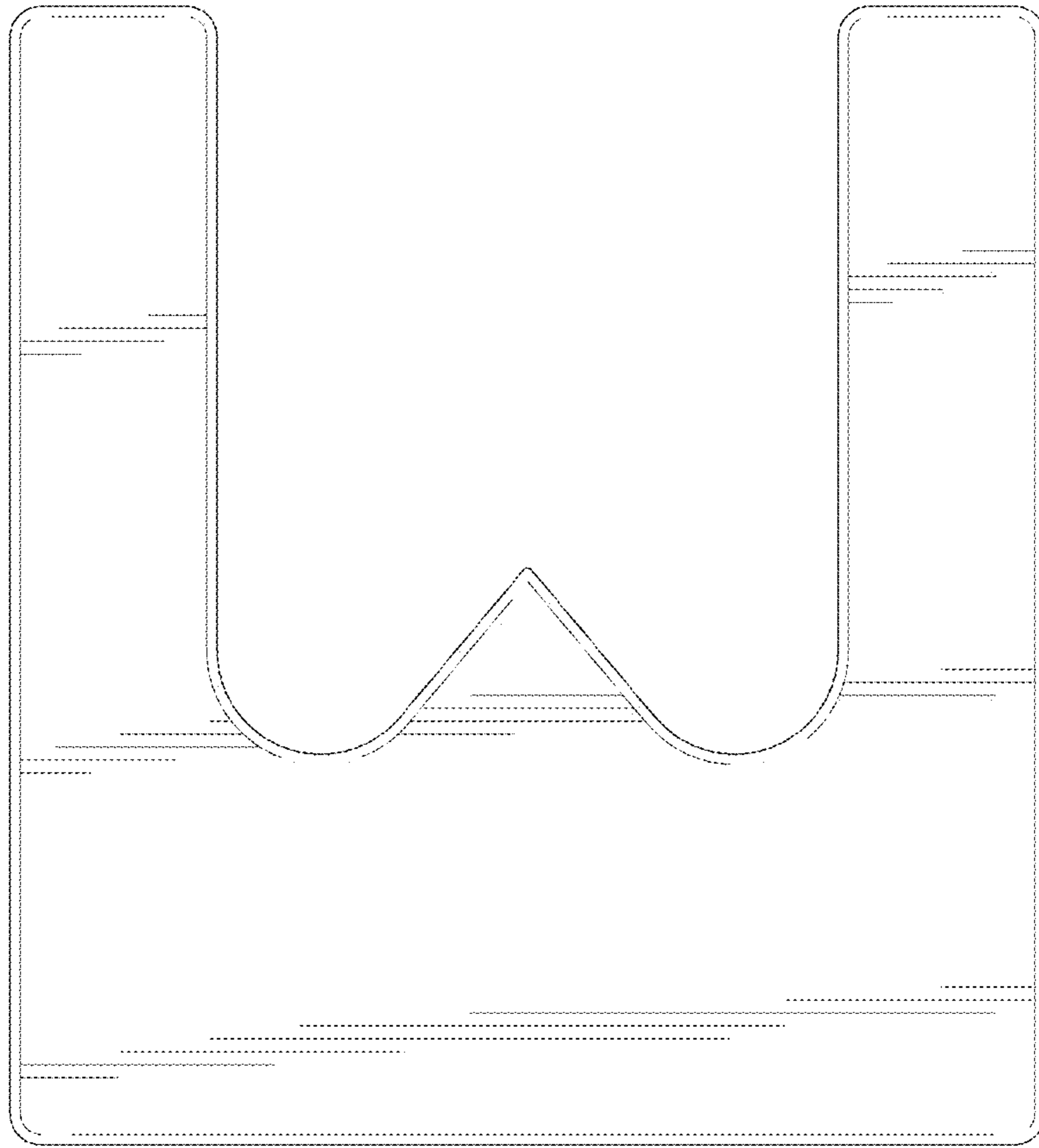


FIG. 3

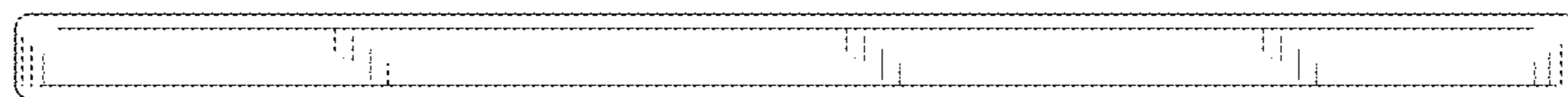


FIG. 4

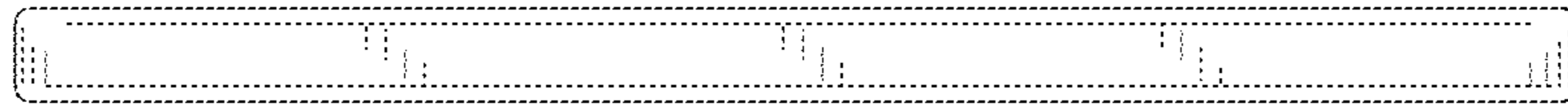


FIG. 5

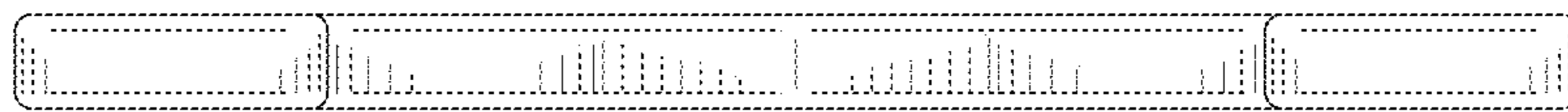


FIG. 6

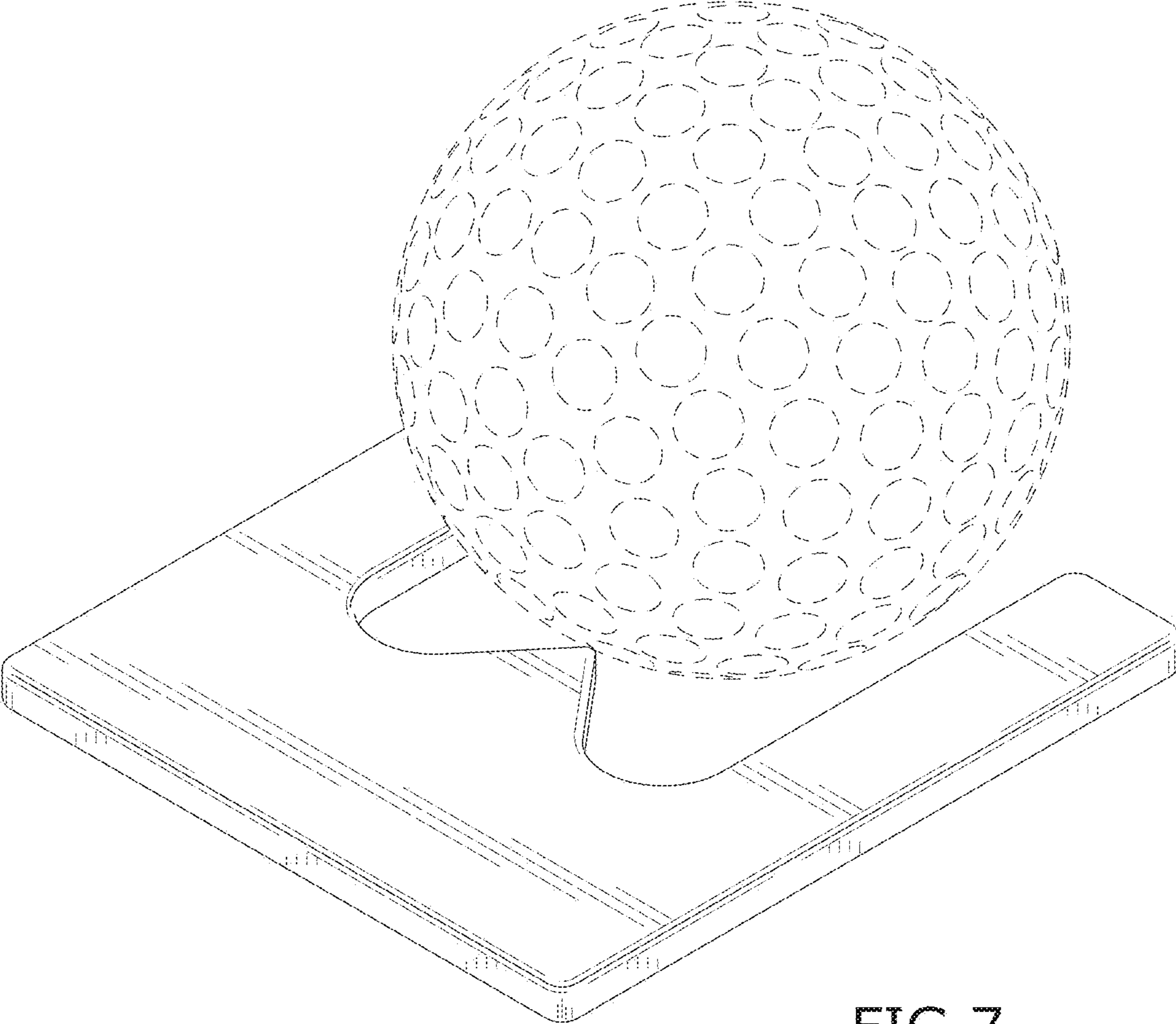


FIG. 7