

US00D964494S

(12) **United States Design Patent** (10) **Patent No.:** **US D964,494 S**  
**Yan** (45) **Date of Patent:** **\*\* Sep. 20, 2022**

(54) **GOLF PRACTICE PAD**  
(71) Applicant: **Jing Shu Yan**, Guangdong (CN)  
(72) Inventor: **Jing Shu Yan**, Guangdong (CN)  
(73) Assignee: **DONGGUAN JUN SHUN PLASTIC MOLD CO., LTD.**, Dongguan (CN)  
(\*\*) Term: **15 Years**

D436,390 S \* 1/2001 Hooper ..... D21/792  
D507,617 S \* 7/2005 Slaven ..... D21/792  
D590,471 S \* 4/2009 Aloisi ..... D21/792  
D619,844 S \* 7/2010 Johnson ..... D6/582  
D731,610 S \* 6/2015 Marcy ..... D21/792  
D733,244 S \* 6/2015 Lang ..... D21/791  
D740,383 S \* 10/2015 Shadle ..... D21/791  
D839,635 S \* 2/2019 Girard ..... D6/582  
D944,911 S \* 3/2022 Youk ..... D21/792  
2001/0034272 A1\* 10/2001 Sobol ..... A63B 69/3658  
473/278

(Continued)

(21) Appl. No.: **29/757,673**  
(22) Filed: **Nov. 9, 2020**  
(30) **Foreign Application Priority Data**

FOREIGN PATENT DOCUMENTS

KR 301049304.0000 \* 3/2020  
KR 301081469.0000 \* 11/2020  
KR 301138971.0000 \* 11/2021

Jun. 23, 2020 (CN) ..... 202030327544.5  
(51) **LOC (13) Cl.** ..... **21-02**  
(52) **U.S. Cl.**  
USPC ..... **D21/792**  
(58) **Field of Classification Search**  
USPC ..... D21/789, 791, 792  
CPC ..... A63B 69/36-3605; A63B 69/3608; A63B  
69/3658; A63B 69/3661-3667; A63B  
69/3691; A63B 69/3623; A63B 69/3629;  
A63B 2214/00  
See application file for complete search history.

OTHER PUBLICATIONS

Golf practice pad google search; google.com; May 13, 2022.\*

*Primary Examiner* — Mitchell I. Siegel  
(74) *Attorney, Agent, or Firm* — Georgi Korobanov

(57) **CLAIM**

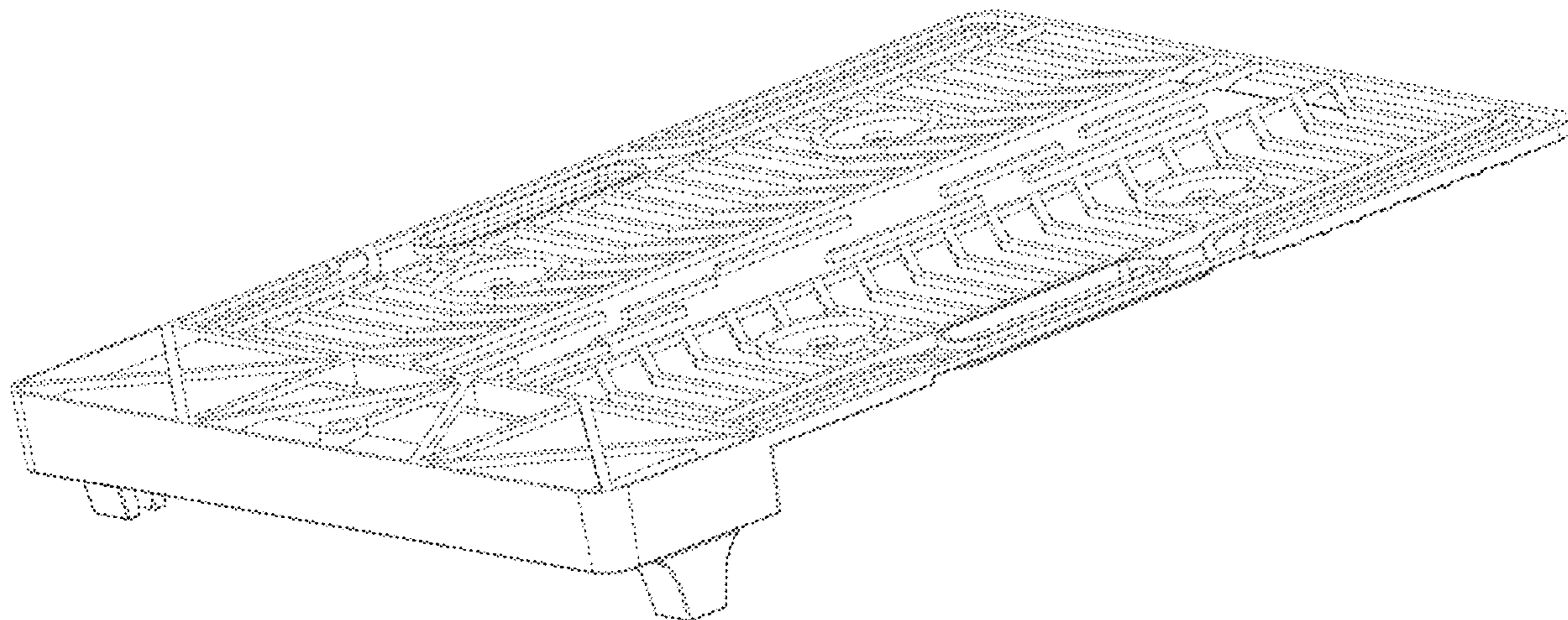
The ornamental design for a golf practice pad, as shown and described.

**DESCRIPTION**

FIG. 1 is a top, rear, left side perspective view of a golf practice pad showing my new design;  
FIG. 2 is a bottom, rear, right side perspective view thereof;  
FIG. 3 is an enlarged front elevation view thereof;  
FIG. 4 is an enlarged rear elevation view thereof;  
FIG. 5 is a left side elevation view thereof, the right side elevation view being a mirror image of the left side elevation view;  
FIG. 6 is a top plan view thereof; and,  
FIG. 7 is a bottom plan view thereof.

**1 Claim, 6 Drawing Sheets**

(56) **References Cited**  
U.S. PATENT DOCUMENTS  
3,143,350 A \* 8/1964 Lester ..... A63B 69/3661  
473/278  
D232,567 S \* 8/1974 Golden ..... D21/792  
4,311,312 A \* 1/1982 O'Brien ..... A63B 69/3661  
473/270  
D307,618 S \* 5/1990 Croghan ..... D21/792  
5,443,870 A \* 8/1995 Lurie ..... A63B 69/3661  
428/17  
D415,235 S \* 10/1999 DeOliviera ..... D21/792  
D420,084 S \* 2/2000 Hooper ..... D21/792



(56)

**References Cited**

U.S. PATENT DOCUMENTS

2013/0288814 A1 \* 10/2013 Holland ..... A63B 69/3661  
473/278

\* cited by examiner

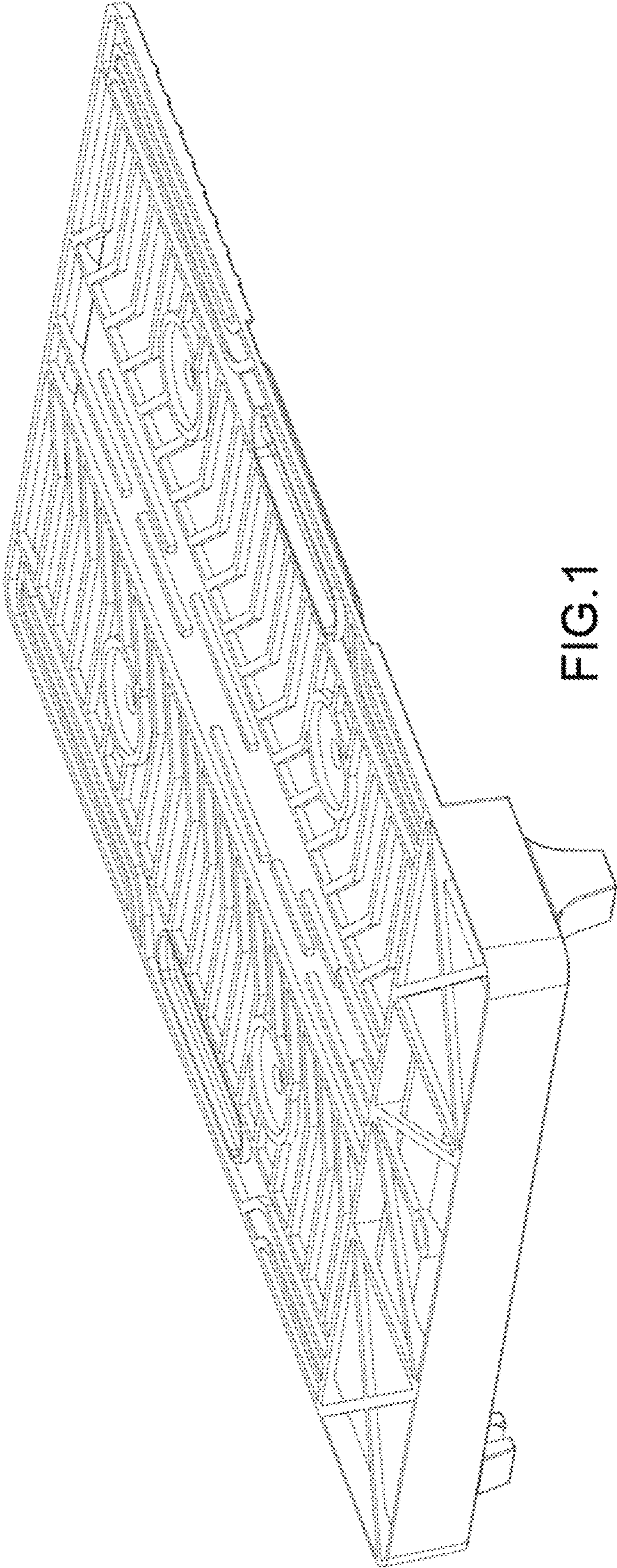


FIG. 1

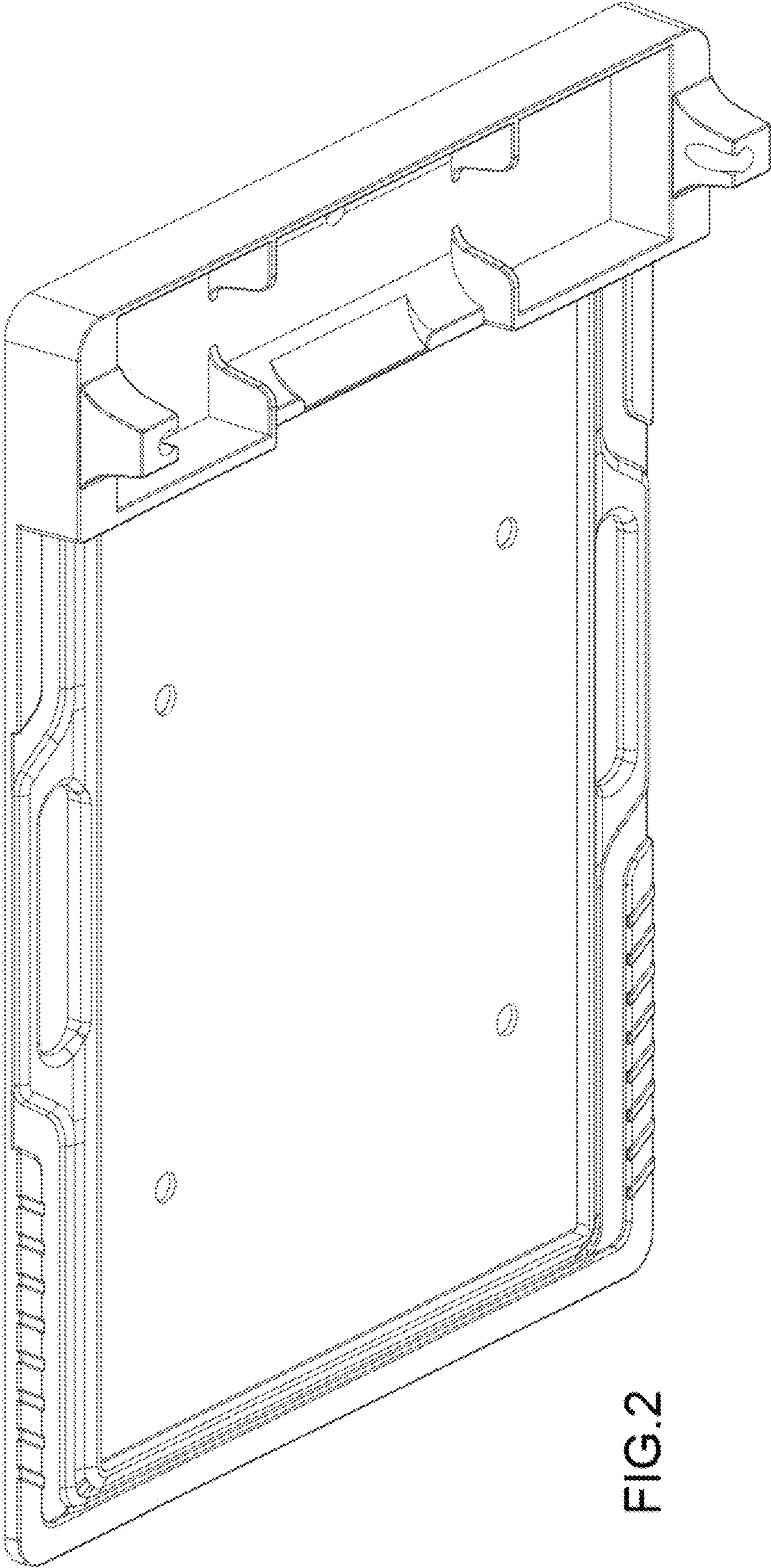


FIG.2

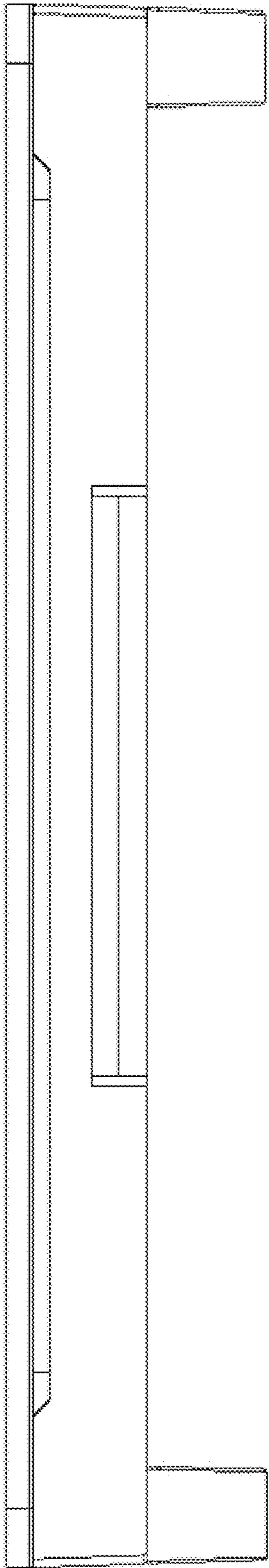


FIG.3

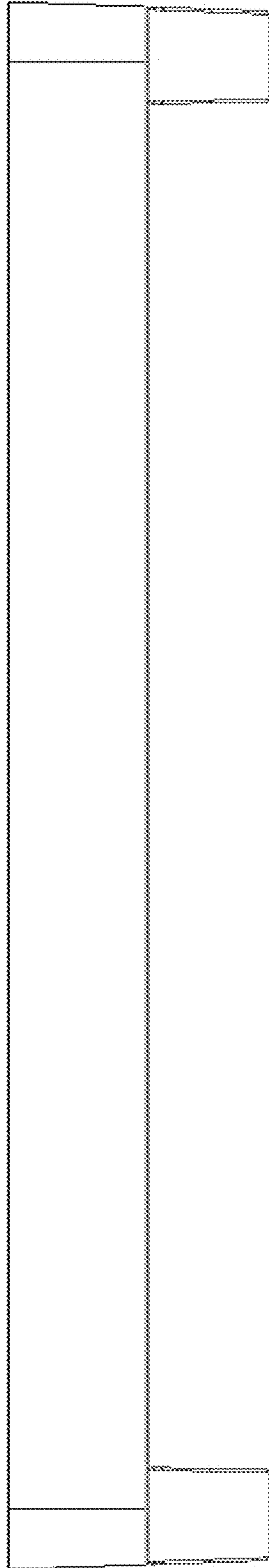


FIG.4

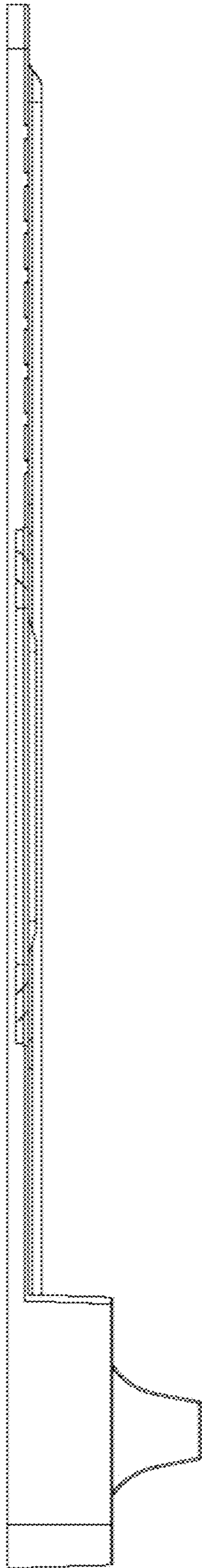


FIG. 5

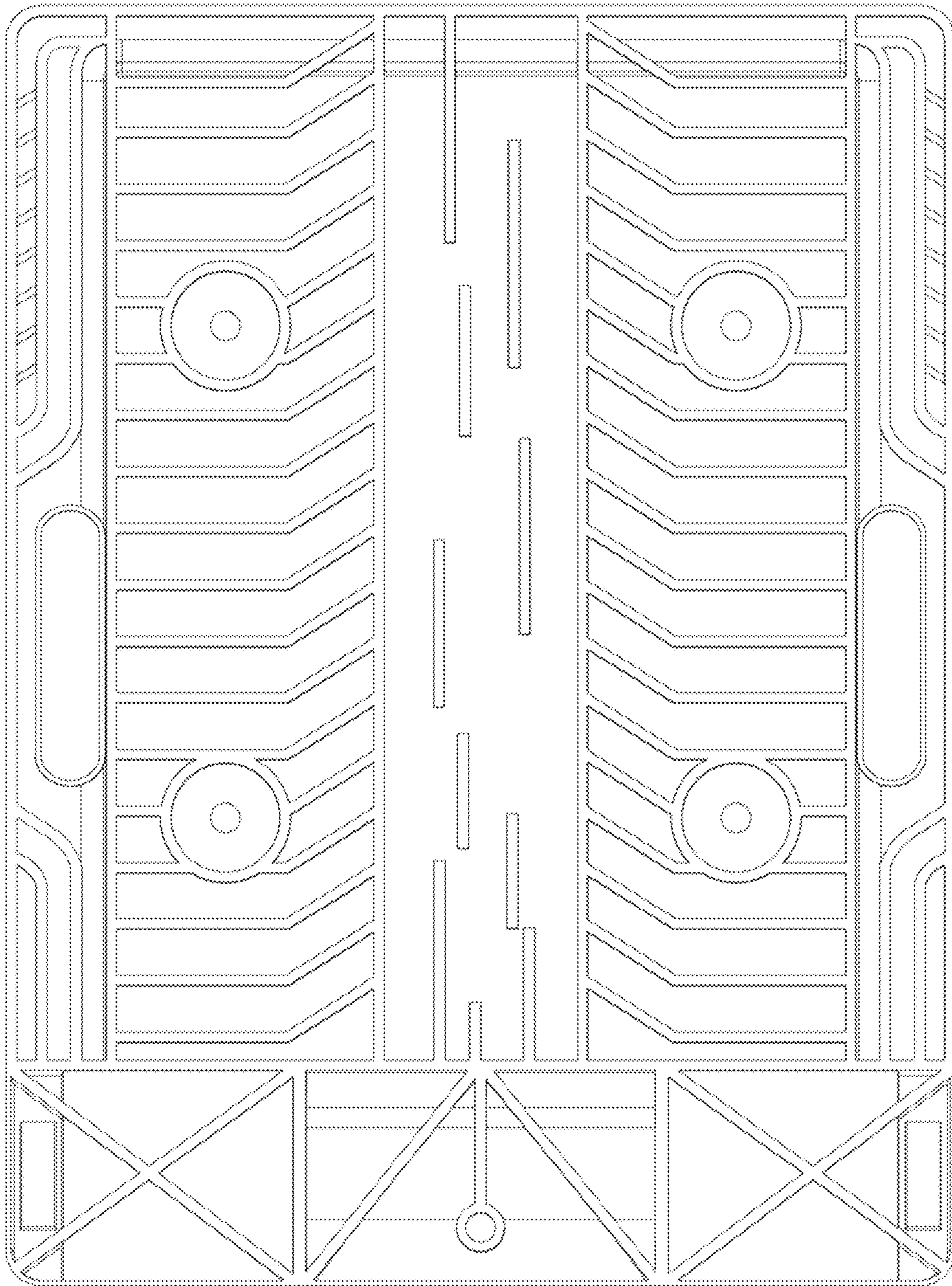


FIG.6

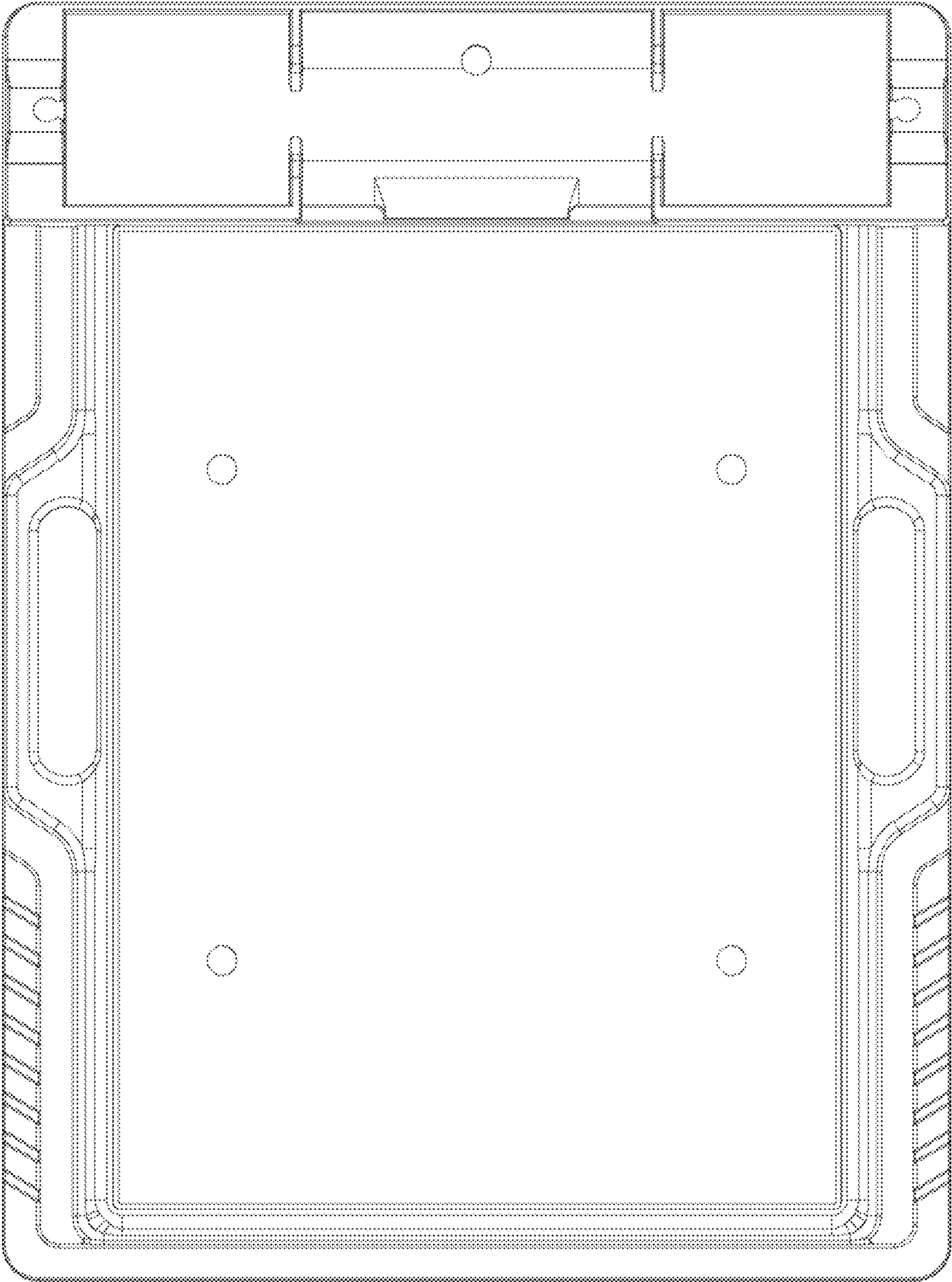


FIG.7