

US00D964492S

(12) **United States Design Patent** (10) **Patent No.:** **US D964,492 S**  
**Du** (45) **Date of Patent:** **\*\* Sep. 20, 2022**

(54) **BALL TOY**  
(71) Applicant: **Qingshan Du**, Shantou (CN)  
(72) Inventor: **Qingshan Du**, Shantou (CN)  
(\*\*) Term: **15 Years**  
(21) Appl. No.: **29/719,432**  
(22) Filed: **Jan. 3, 2020**

(30) **Foreign Application Priority Data**

Sep. 9, 2019 (CN) ..... 201930495117.5

(51) **LOC (13) Cl.** ..... **21-02**

(52) **U.S. Cl.**  
USPC ..... **D21/712**

(58) **Field of Classification Search**  
USPC ..... D21/300, 357, 698, 701, 702, 703, 704,  
D21/705, 707, 708, 709, 710, 711, 712,  
D21/713, 714, 715, 716, 727, 780, 788;  
D30/160; D3/271.9; D7/901; D9/668;  
D11/157; D14/496-511, 14, 168-172,  
D14/188-196, 203.1-203.8, 204, 207,  
D14/209.1-216, 217, 299; 473/569-615  
CPC ..... A63B 39/00-08; A63B 2039/003; A63B  
2039/006; A63B 2039/022; A63B  
41/00-12; A63B 2041/005  
See application file for complete search history.

(56) **References Cited**

**U.S. PATENT DOCUMENTS**

D340,078 S \* 10/1993 Turner ..... D11/149  
D408,237 S \* 4/1999 Wysopal ..... D8/38  
D425,757 S \* 5/2000 Printz ..... D7/510  
D497,655 S \* 10/2004 Frisina ..... D21/712  
D498,802 S \* 11/2004 Chang ..... D21/712  
D549,239 S \* 8/2007 Chen ..... D14/496  
D550,393 S \* 9/2007 VanderSchuit ..... D26/125

D552,307 S \* 10/2007 Renforth ..... D30/160  
D562,073 S \* 2/2008 Yeh ..... D7/514  
D574,664 S \* 8/2008 Thompson ..... D7/515  
D587,968 S \* 3/2009 Campbell ..... D7/510  
D589,765 S \* 4/2009 Zulloff ..... D7/515  
D609,987 S \* 2/2010 Moman ..... D8/38  
D656,997 S \* 4/2012 Levin ..... D21/404  
D673,428 S \* 1/2013 Lessells ..... D7/625  
D678,443 S \* 3/2013 Jordan ..... D21/788  
D678,444 S \* 3/2013 Jordan ..... D21/788  
D710,152 S \* 8/2014 Marini ..... D7/515  
D731,459 S \* 6/2015 Paslawski ..... D14/207  
D767,536 S \* 9/2016 Park ..... D14/216  
D775,913 S \* 1/2017 Knirr ..... D8/38  
D790,282 S \* 6/2017 Price ..... D7/564  
D820,606 S \* 6/2018 Hassman ..... D6/345  
D839,367 S \* 1/2019 Warren ..... D21/712  
D853,196 S \* 7/2019 Cramton ..... D7/515  
D881,304 S \* 4/2020 Tryner ..... D21/712

(Continued)

*Primary Examiner* — Mehri F Bajoul

(74) *Attorney, Agent, or Firm* — ScienBiziP, P.C.

(57) **CLAIM**

The ornamental design for ball toy, as shown and described.

**DESCRIPTION**

FIG. 1 is a top, front, right side perspective view of a ball toy, showing my design.

FIG. 2 is a front elevation view thereof.

FIG. 3 is a rear elevation view thereof.

FIG. 4 is a left side elevation view thereof.

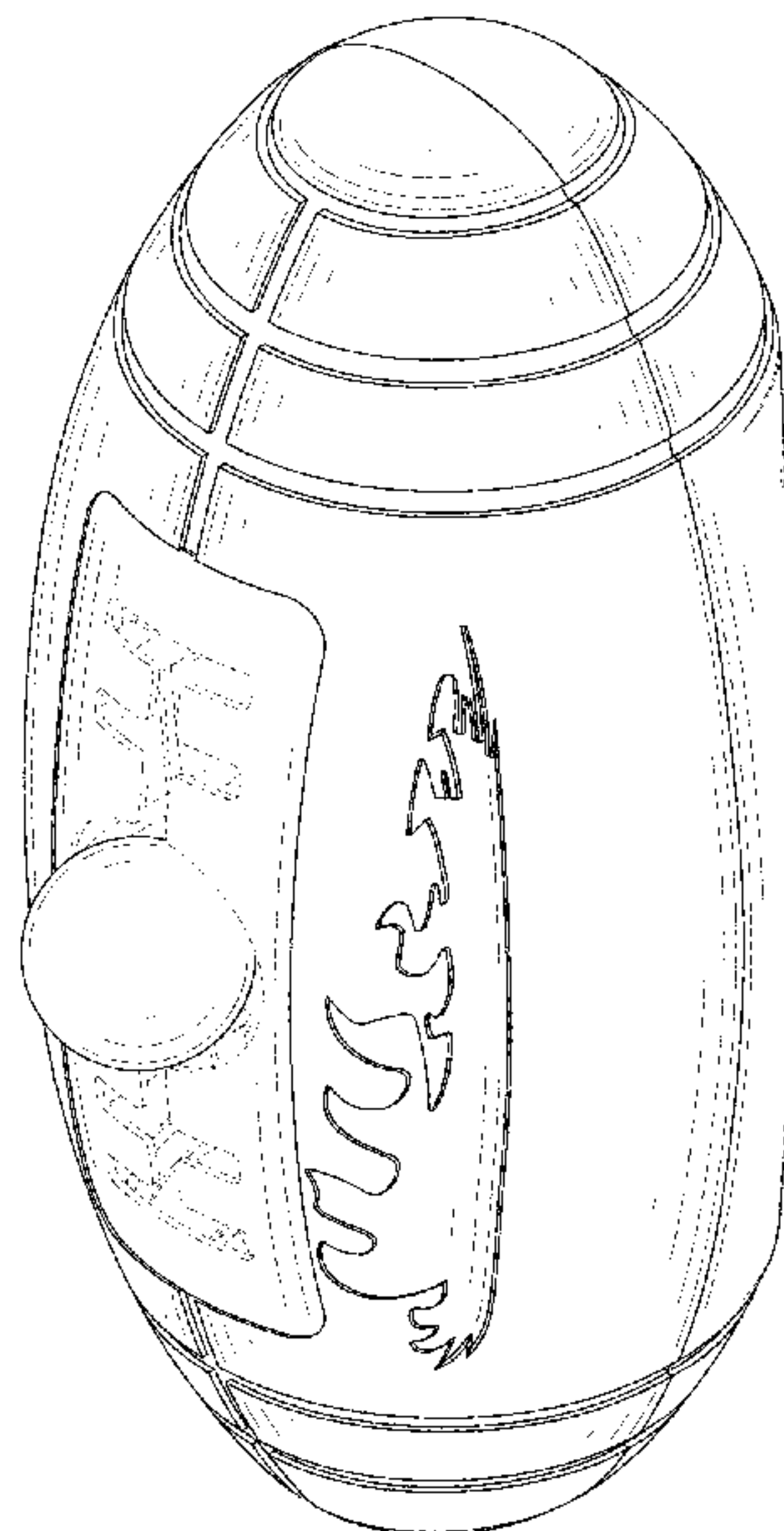
FIG. 5 is a right side elevation view thereof.

FIG. 6 is a top plan view thereof; and,

FIG. 7 is a bottom plan view thereof.

The broken lines shown in the drawings depict portions of the ball toy that form no part of the claimed design. The dot-dash broken lines shown in FIGS. 1, 2, 6 and 7 are for the purpose of illustrating boundaries that form no part of the claimed design.

**1 Claim, 7 Drawing Sheets**



(56)

**References Cited**

U.S. PATENT DOCUMENTS

D889,124 S *	7/2020	Siddamshetty .....	D3/271.9
D889,144 S *	7/2020	Wehner .....	D6/345
2005/0064966 A1 *	3/2005	Menow .....	A63B 43/00 473/569

\* cited by examiner

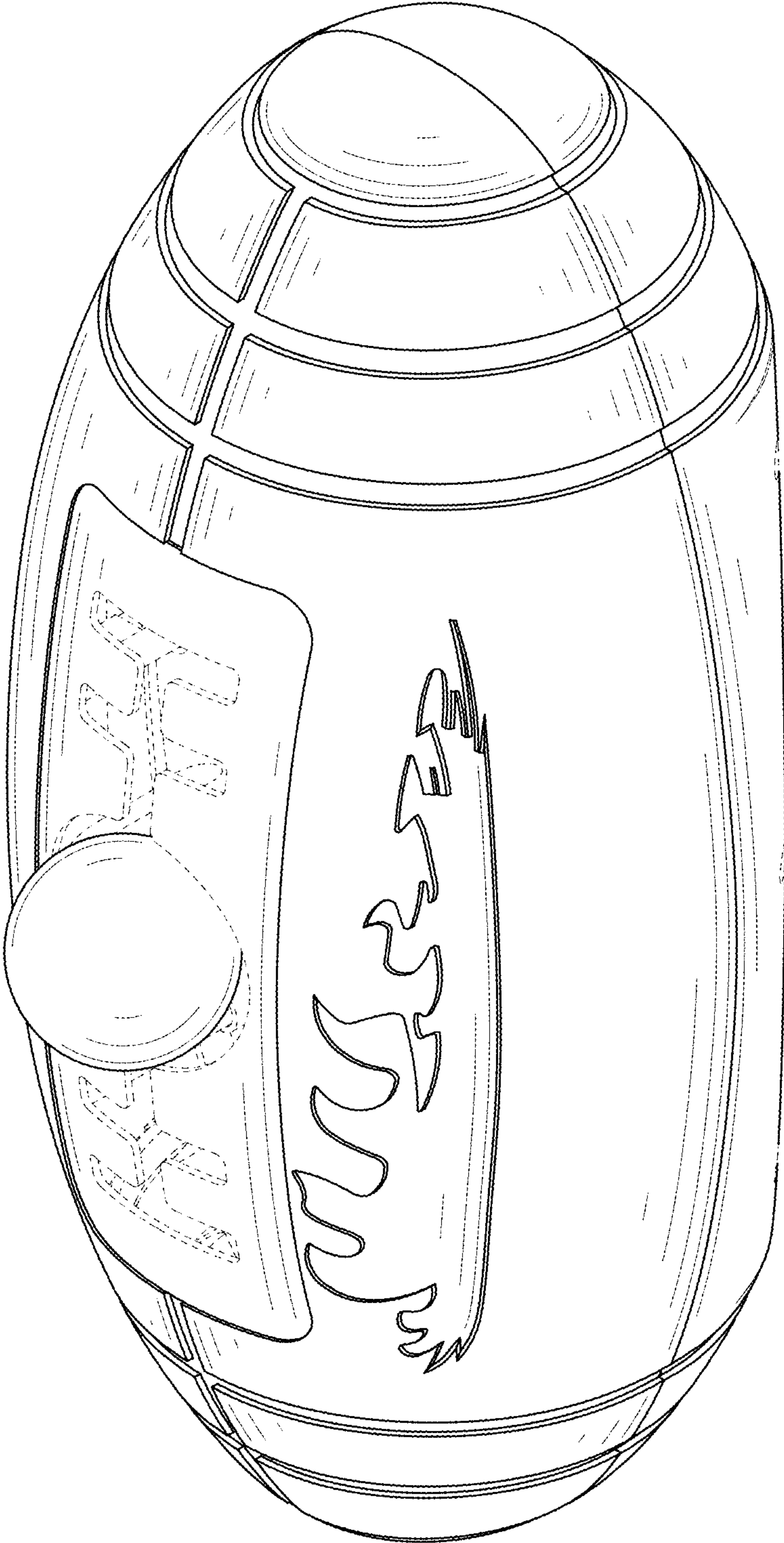


FIG. 1

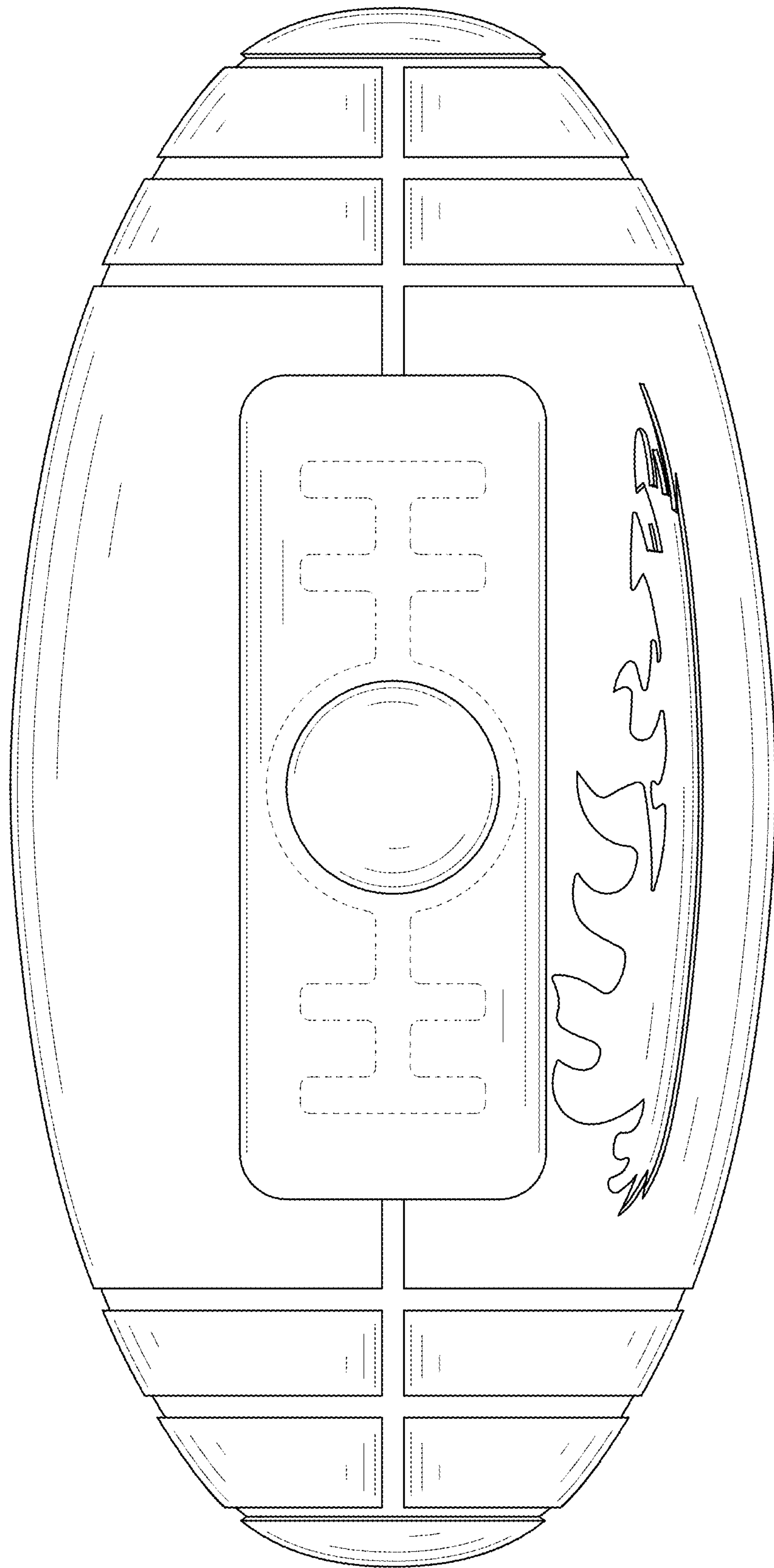


FIG. 2



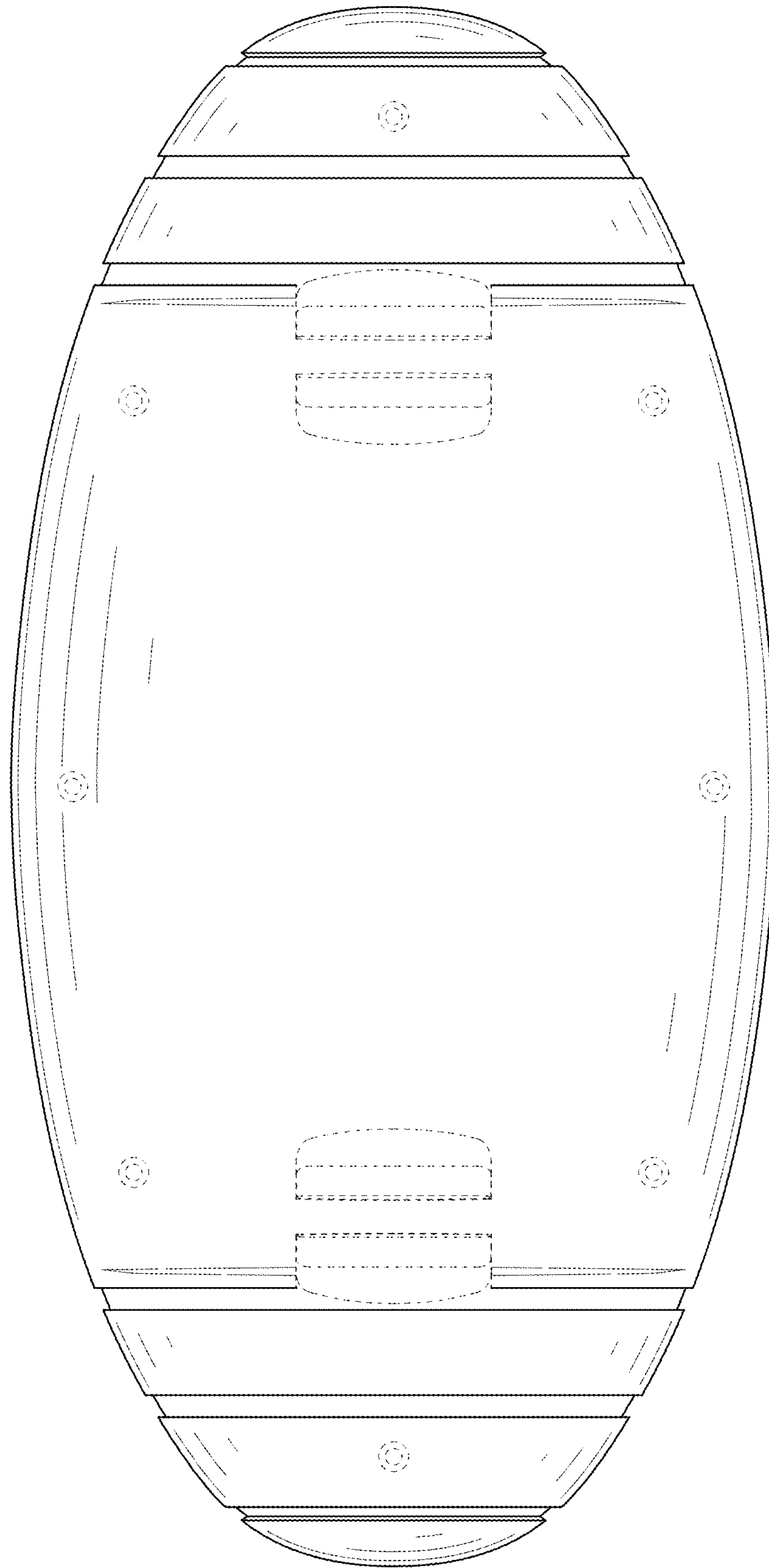


FIG. 3

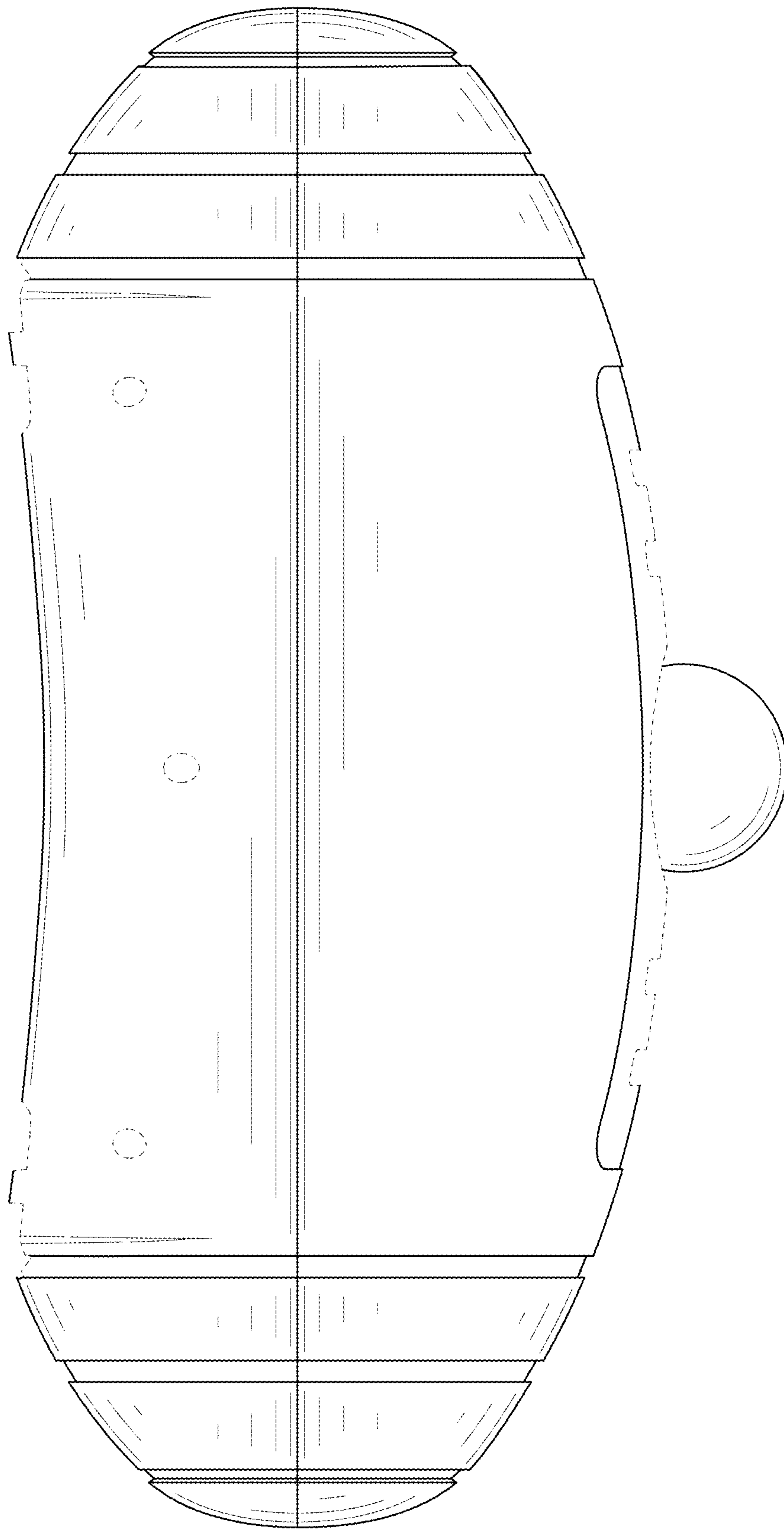


FIG. 4

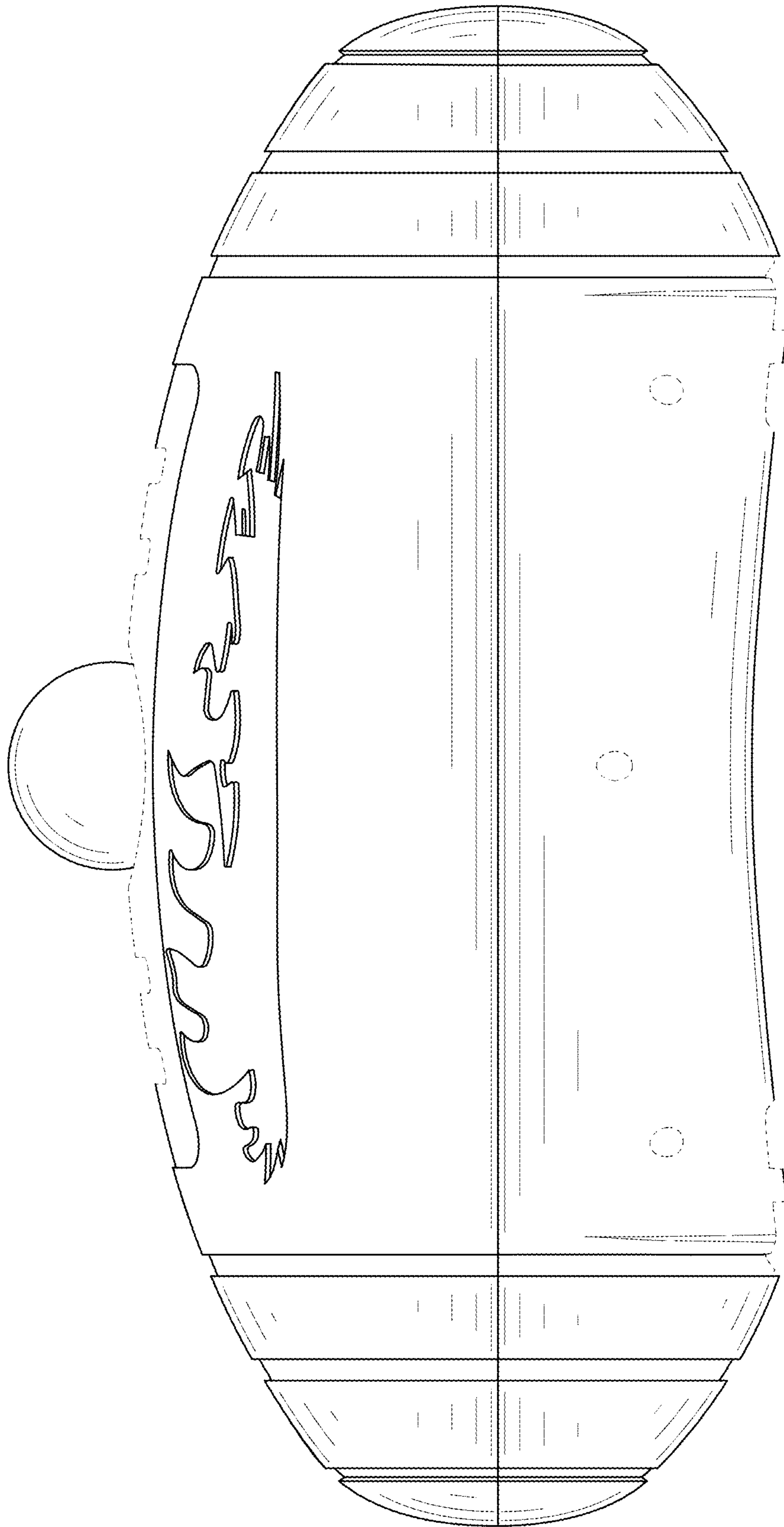


FIG. 5

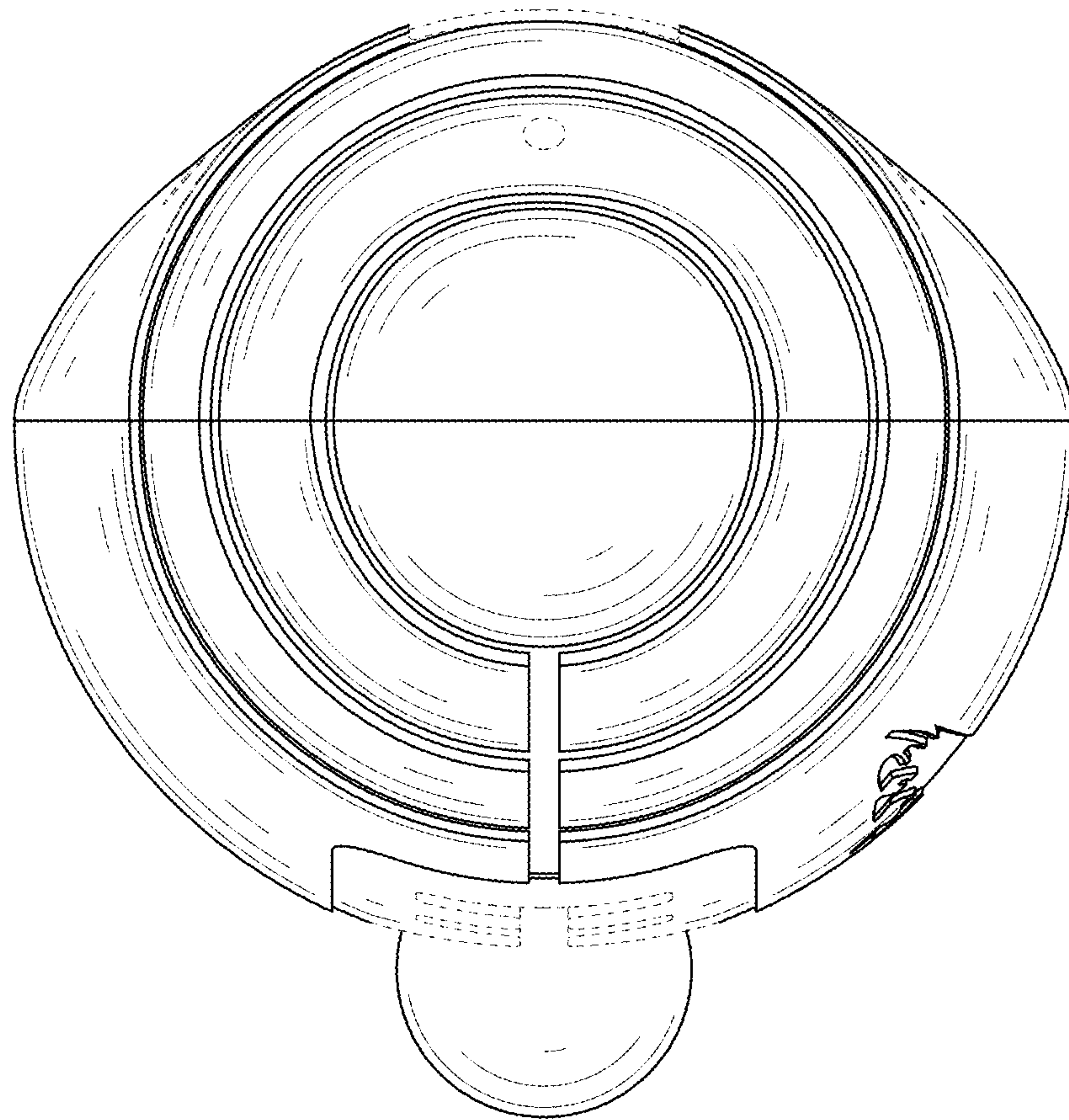


FIG. 6



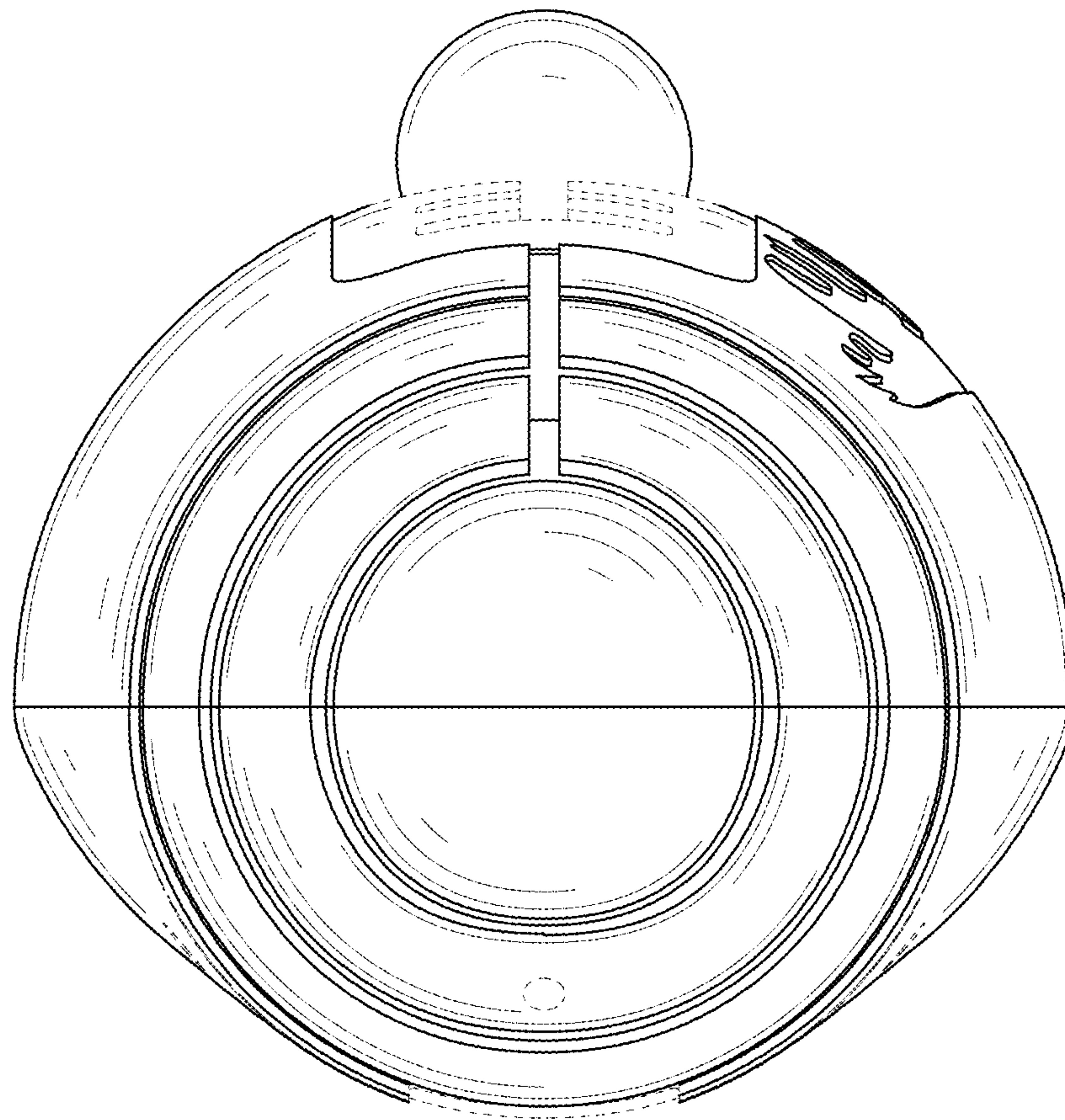


FIG. 7