



US00D964491S

(12) **United States Design Patent**
de Lanauze

(10) **Patent No.:** **US D964,491 S**

(45) **Date of Patent:** **** Sep. 20, 2022**

- (54) **HOCKEY DRILL TRAINER**
- (71) Applicant: **Christian Terry de Lanauze**, Chicago, IL (US)
- (72) Inventor: **Christian Terry de Lanauze**, Chicago, IL (US)
- (**) Term: **15 Years**

- 5,242,164 A * 9/1993 Nicoll A63F 7/0668
273/317.1
- D351,867 S * 10/1994 Rafferty D21/339
- 5,643,094 A * 7/1997 Macri A63B 24/0003
472/92
- 5,655,767 A * 8/1997 Francis A63F 7/0684
446/330
- 6,089,568 A * 7/2000 Milici A63F 3/00041
273/298
- 6,488,600 B1 * 12/2002 Gordon A63C 19/00
473/415

(21) Appl. No.: **29/748,460**

(Continued)

(22) Filed: **Aug. 28, 2020**

OTHER PUBLICATIONS

(51) **LOC (13) Cl.** **21-02**

(52) **U.S. Cl.**

USPC **D21/699**

(58) **Field of Classification Search**

USPC D21/301, 302, 698, 699, 715, 727, 305,
D21/318, 314, 312, 321, 334, 335, 338,
D21/339, 355, 365, 303

CPC . A63B 2063/005; A63B 63/004; A63B 63/00;
A63B 69/0002; A63B 2210/50; A63B
71/04; A63B 69/0024; A63B 69/0026;
A63B 2102/22; A63B 2102/24; A63B
2063/001; A63B 2063/002; A63B
2102/14; A63B 69/00; A63B 63/003;
A63F 7/06; A63F 7/0632; A63F 7/0636

See application file for complete search history.

2v2 Plus Scissor Activation. Date Posted: Oct. 4, 2018. Retrieved from internet: < https://www.admkids.com/news_article/show/955817> [site visited Feb. 10, 2022] (Year: 2018).*

(Continued)

Primary Examiner — Katherine Glennon

Assistant Examiner — Yuan Yuan

(57)

CLAIM

The ornamental design for a hockey drill trainer, as shown and described.

DESCRIPTION

FIG. 1 is a top-left front perspective view of a hockey drill trainer, showing my new design;

FIG. 2 is a top view thereof;

FIG. 3 is a front view thereof;

FIG. 4 is a back view thereof;

FIG. 5 is a bottom view thereof;

FIG. 6 is a right-side view thereof;

FIG. 7 is a left-side view thereof; and,

FIG. 8 is a top view thereof.

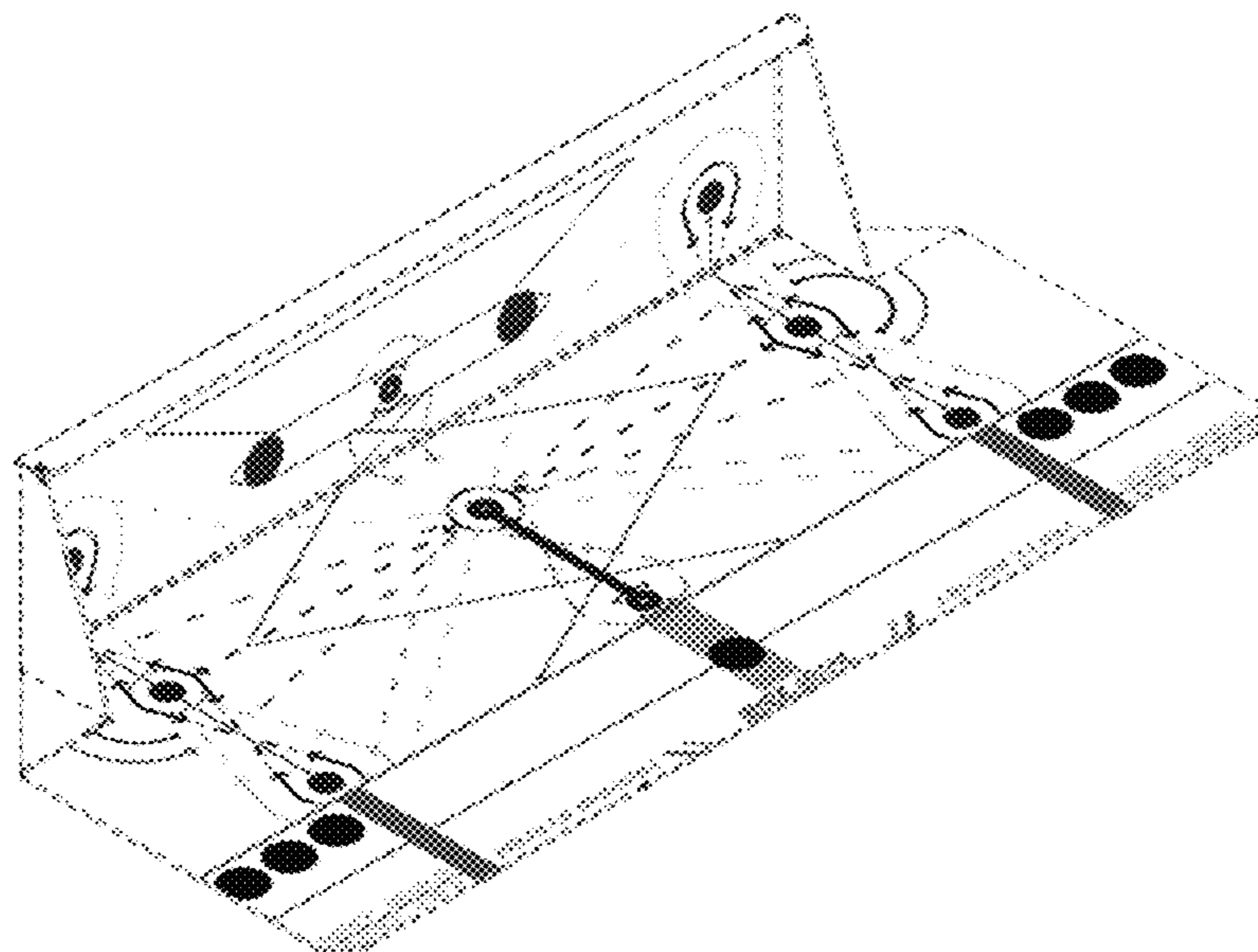
The broken lines in the drawings depict portions of the hockey drill trainer that form no part of the claimed design.

(56) **References Cited**

U.S. PATENT DOCUMENTS

- 2,946,134 A * 7/1960 Neilson A63B 69/00
434/251
- D267,385 S * 12/1982 Burt D6/583
- 4,497,483 A * 2/1985 Ahlgren A63C 19/06
62/235
- 4,765,622 A * 8/1988 Rienzo A63F 7/0668
273/108.5
- 5,074,556 A * 12/1991 Loeppky A63F 7/0668
D21/339

1 Claim, 4 Drawing Sheets



(56)

References Cited

U.S. PATENT DOCUMENTS

6,567,116 B1 * 5/2003 Aman A63B 71/0605
348/169
D476,014 S * 6/2003 Mabbutt D14/458
D557,051 S * 12/2007 Adoboe D6/588
D700,669 S * 3/2014 Salvador D21/698
D767,026 S * 9/2016 Foxcroft D19/113
D767,031 S * 9/2016 Foxcroft D19/88
D927,089 S * 8/2021 Valla D30/118
11,217,115 B1 * 1/2022 Antonelli A63B 71/06
2008/0254919 A1 * 10/2008 Frink A63B 67/002
473/472
2009/0111582 A1 * 4/2009 Schuler A63F 13/216
473/415
2015/0182837 A1 * 7/2015 Burke A63B 24/0003
473/225
2020/0276494 A1 * 9/2020 Craig A63B 71/022

OTHER PUBLICATIONS

12U-14U: Sparta Passing. Date Posted: Feb. 6, 2018. Retrieved
from internet: < [https://www.admkids.com/news_article/show/
884018](https://www.admkids.com/news_article/show/884018)> [site visited Feb. 10, 2022] (Year: 2018).*

* cited by examiner

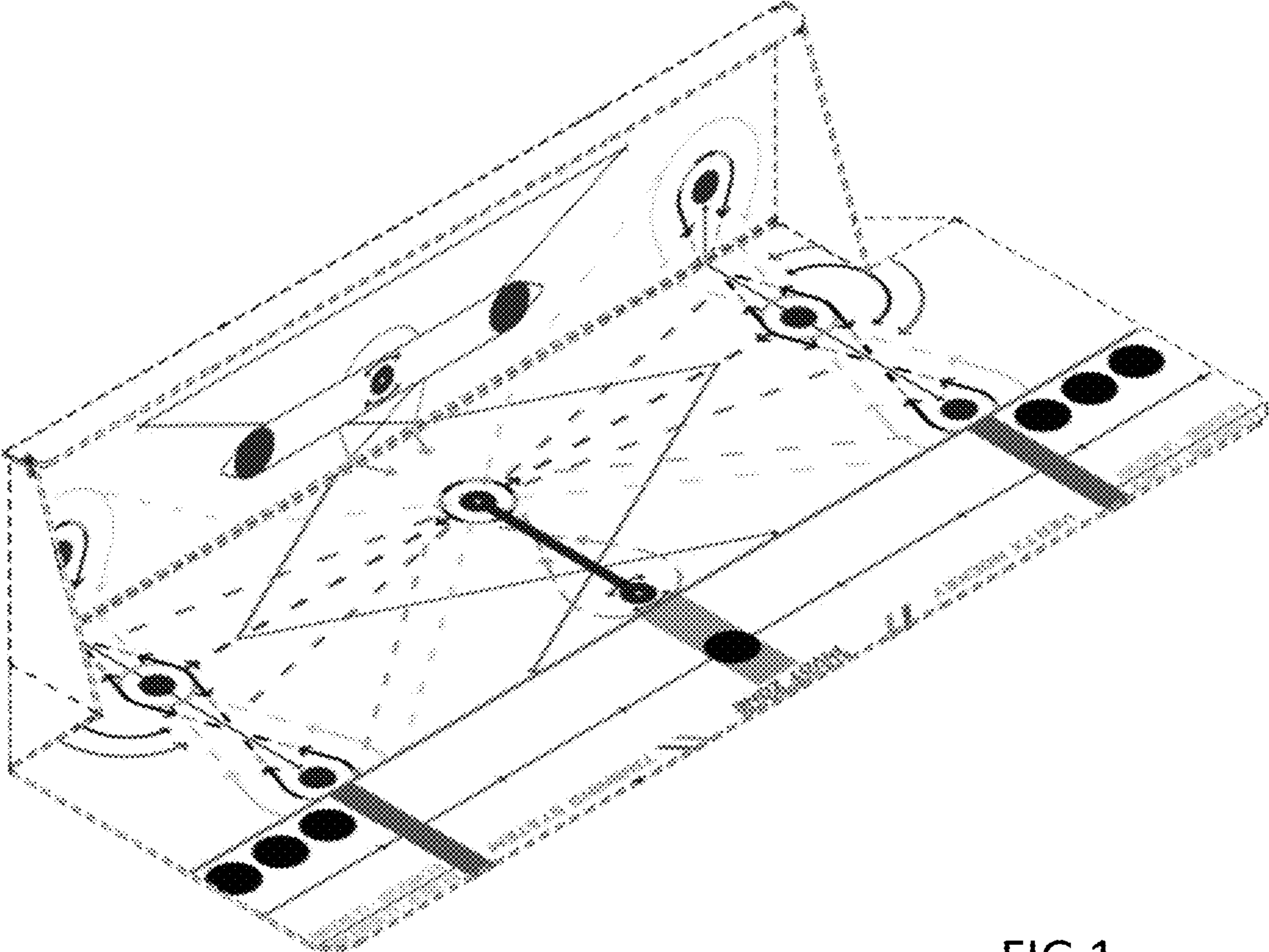


FIG 1

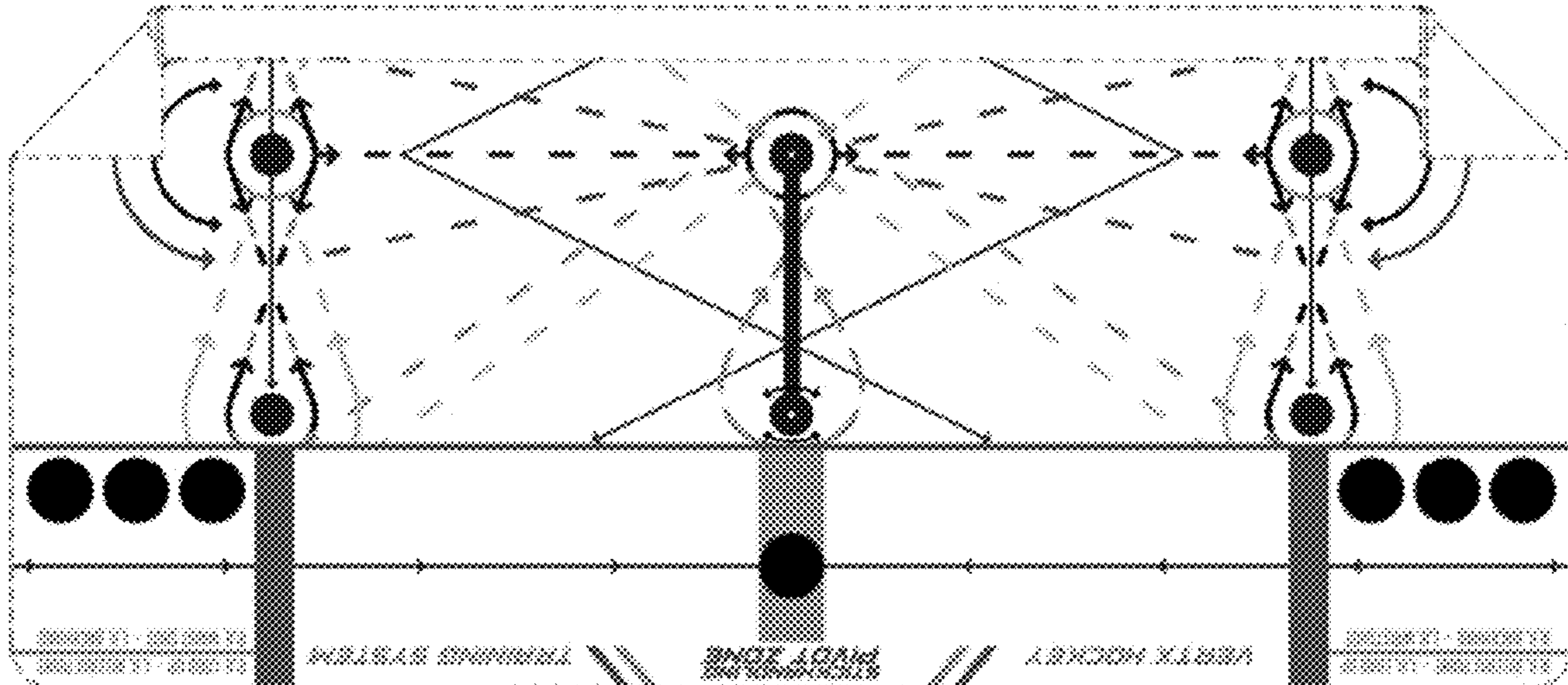


FIG 2

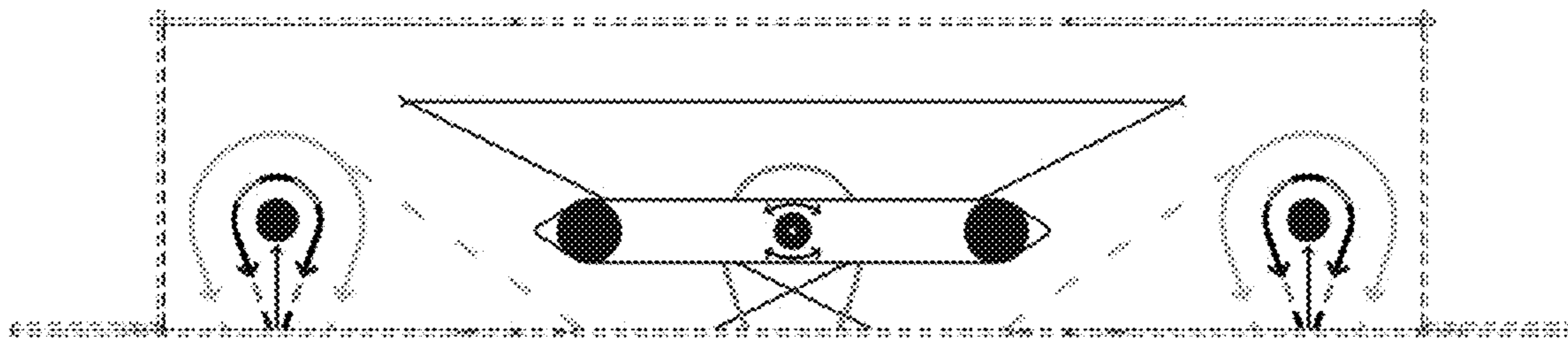


FIG 3

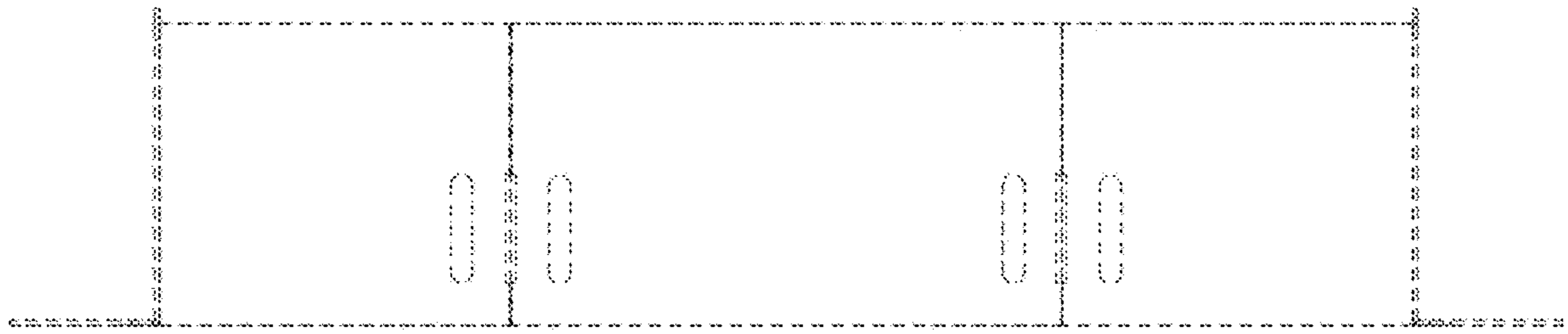


FIG 4

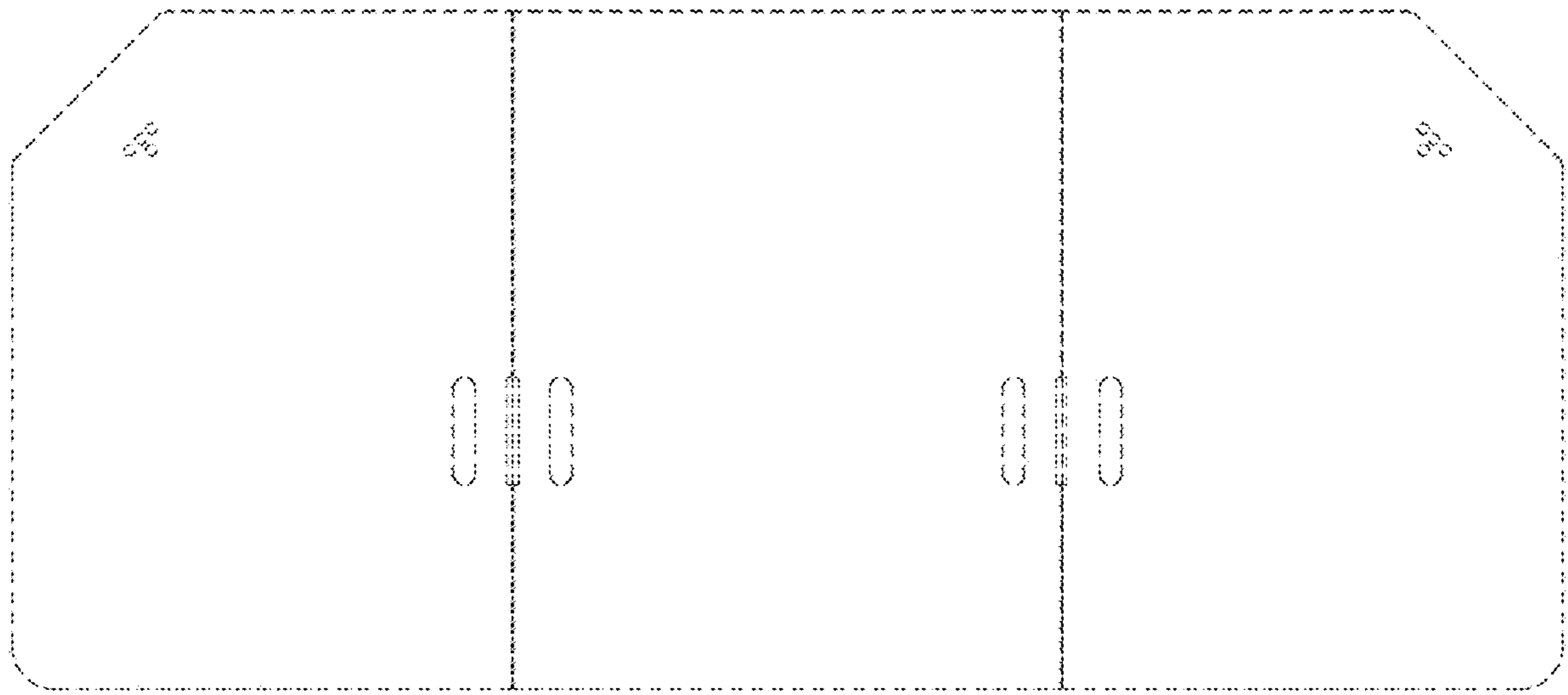


FIG 5

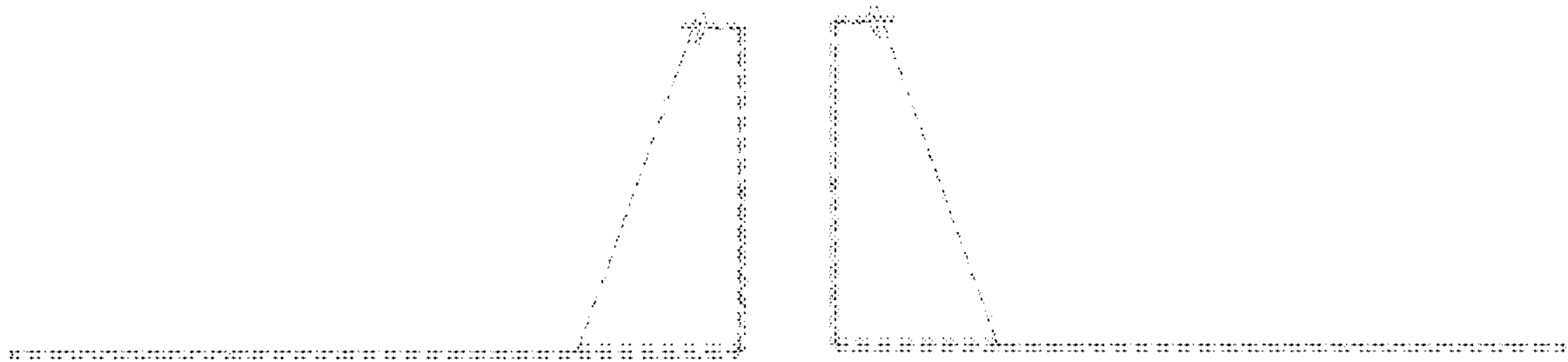


FIG 6

FIG 7

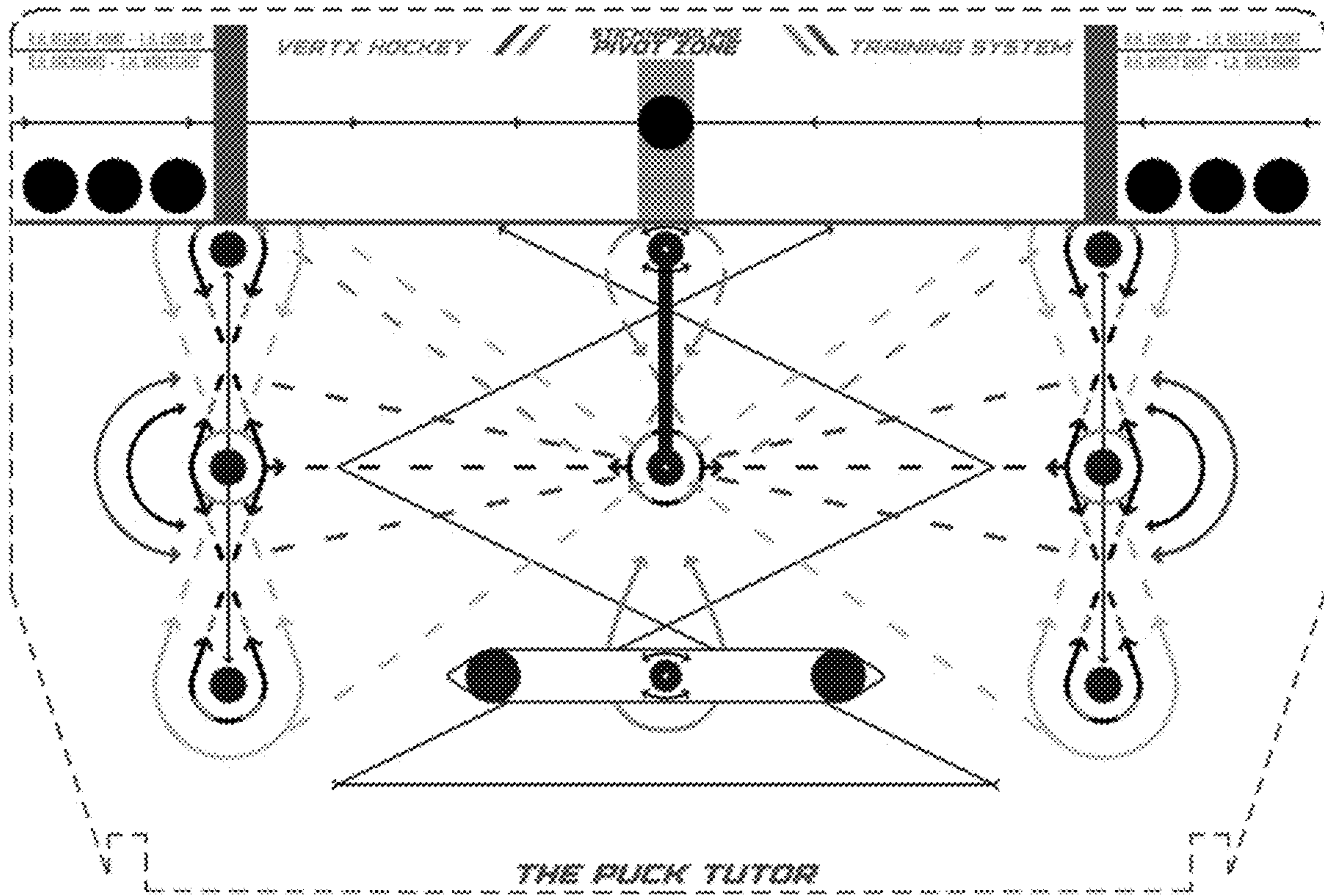


FIG 8