



US00D964490S

(12) **United States Design Patent** (10) **Patent No.:** **US D964,490 S**  
**de Lanauze et al.** (45) **Date of Patent:** **\*\* Sep. 20, 2022**

(54) **SPORTS DRILL TRAINING APPARATUS**

**DESCRIPTION**

(71) Applicants: **Christian T de Lanauze**, Chicago, IL (US); **Thomas Schnell, Jr.**, Chicago, IL (US)

(72) Inventors: **Christian T de Lanauze**, Chicago, IL (US); **Thomas Schnell, Jr.**, Chicago, IL (US)

(\*\*) Term: **15 Years**

(21) Appl. No.: **29/738,466**

(22) Filed: **Jun. 17, 2020**

(51) **LOC (13) Cl.** ..... **21-02**

(52) **U.S. Cl.**  
USPC ..... **D21/698**

(58) **Field of Classification Search**  
USPC ..... D21/301, 302, 303, 698, 699, 715, 727,  
D21/305, 318, 314, 312, 321, 334, 335,  
D21/338, 339, 355, 365

(Continued)

(56) **References Cited**

**U.S. PATENT DOCUMENTS**

D187,599 S \* 4/1960 Wright ..... D21/312  
D267,385 S \* 12/1982 Burt ..... D6/583

(Continued)

**OTHER PUBLICATIONS**

SuperDeker Advanced Ice Hockey Training System. Date First Available: Nov. 10, 2020. Retrieved from internet: < <https://www.amazon.com/SuperDeker-Advanced-Training-Sensors-Stickhandling/dp/B08N5HC92J/>> [site visited Feb. 10, 2022] (Year: 2020).\*

(Continued)

*Primary Examiner* — Katherine Glennon

*Assistant Examiner* — Yuan Yuan

(57) **CLAIM**

The ornamental design for a sports drill training apparatus, as shown and described.

FIG. 1 is a top-left front perspective view of a sports drill training apparatus in a constructed configuration.  
FIG. 2 is a top-right front perspective view of the sports drill training apparatus in the constructed configuration.  
FIG. 3 is a top-right rear perspective view of the sports drill training apparatus in the constructed configuration.  
FIG. 4 is a top-left rear perspective view of the sports drill training apparatus in the constructed configuration.  
FIG. 5 is a front view of the sports drill training apparatus in the constructed configuration.  
FIG. 6 is a back view of the sports drill training apparatus in the constructed configuration.  
FIG. 7 is a right-side view of the sports drill training apparatus in the constructed configuration.  
FIG. 8 is a left-side view of the sports drill training apparatus in the constructed configuration.  
FIG. 9 is a top view of the sports drill training apparatus in the constructed configuration.  
FIG. 10 is a bottom view of the sports drill training apparatus in the constructed configuration.  
FIG. 11 is a top-right perspective view of the sports drill training apparatus in a flat configuration.  
FIG. 12 is a top view of the sports drill training apparatus in the flat configuration.  
FIG. 13 is a bottom view of the sports drill training apparatus in the flat configuration.  
FIG. 14 is a left view of the sports drill training apparatus in the flat configuration.  
FIG. 15 is a right view of the sports drill training apparatus in the flat configuration.  
FIG. 16 is a front view of the sports drill training apparatus in the flat configuration.  
FIG. 17 is a back view of the sports drill training apparatus in the flat configuration.  
FIG. 18 is a top-right perspective view of the sports drill training apparatus in a storage configuration.  
FIG. 19 is a top view of the sports drill training apparatus in the storage configuration.  
FIG. 20 is a bottom view of the sports drill training apparatus in the storage configuration.  
FIG. 21 is a left view of the sports drill training apparatus in the storage configuration.

(Continued)

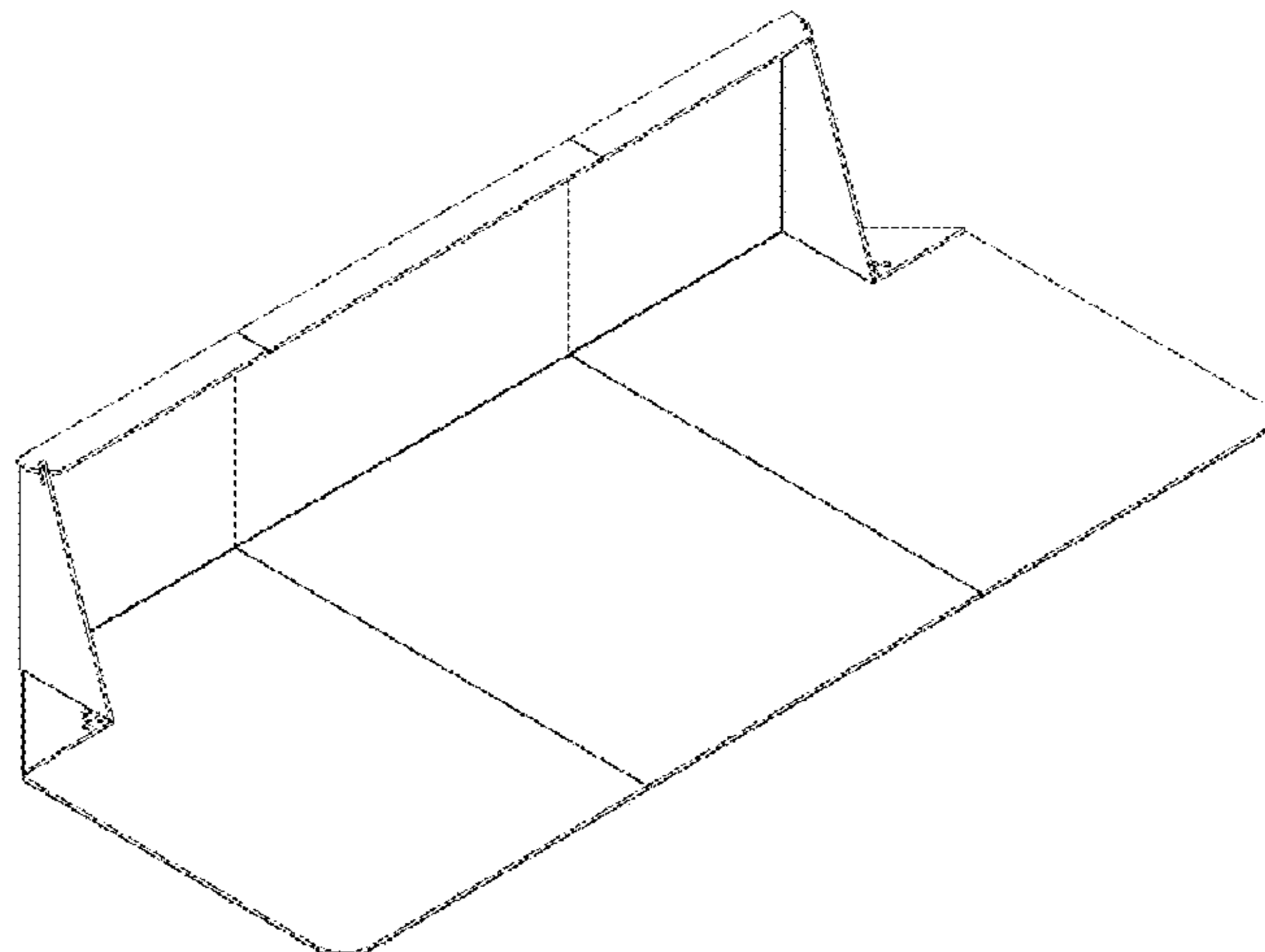


FIG. 22 is a right view of the sports drill training apparatus in the storage configuration.

FIG. 23 is a back view of the sports drill training apparatus in the storage configuration; and,

FIG. 24 is a front view of the sports drill training apparatus in the storage configuration.

**1 Claim, 8 Drawing Sheets**

(58) **Field of Classification Search**

CPC . A63B 2063/005; A63B 63/004; A63B 63/00;  
A63B 69/0002; A63B 2210/50; A63B  
71/04; A63B 69/0024; A63B 69/0026;  
A63B 2102/22; A63B 2102/24; A63B  
2063/001; A63B 2063/002; A63B  
2102/14; A63B 69/00; A63F 7/06; A63F  
7/0632; A63F 7/0636

See application file for complete search history.

(56) **References Cited**

U.S. PATENT DOCUMENTS

4,676,527 A \* 6/1987 Palmer ..... A63B 69/00  
281/31  
4,872,679 A \* 10/1989 Bohaski ..... A63F 7/0668  
473/588  
4,926,512 A \* 5/1990 Coyle ..... A47C 1/143  
5/419

5,074,556 A \* 12/1991 Loeppky ..... A63F 7/0668  
D21/339  
5,100,151 A \* 3/1992 Lyon ..... A63F 3/0023  
273/285  
5,242,164 A \* 9/1993 Nicoll ..... A63F 7/0668  
273/317.1  
6,457,711 B1 \* 10/2002 Baulesh ..... A63B 69/36  
273/108.1  
D487,551 S \* 3/2004 Lee ..... D6/582  
D495,016 S \* 8/2004 Nudo ..... D21/698  
D513,774 S \* 1/2006 Nudo ..... D21/699  
D556,834 S \* 12/2007 Coleman ..... D21/318  
D662,148 S \* 6/2012 Boessling ..... D21/321  
D700,669 S \* 3/2014 Salvador ..... D21/698  
D767,026 S \* 9/2016 Foxcroft ..... D19/113  
D767,031 S \* 9/2016 Foxcroft ..... D19/88  
D770,201 S \* 11/2016 Dieckhaus ..... D6/582  
D786,982 S \* 5/2017 Kim ..... D21/365  
D806,187 S \* 12/2017 East ..... D21/686  
D814,572 S \* 4/2018 André ..... D20/40  
9,950,231 B2 \* 4/2018 Bulloch ..... A63B 69/0026  
11,217,115 B1 \* 1/2022 Antonelli ..... A63B 71/06  
2019/0151736 A1 \* 5/2019 Pelley ..... A63B 63/00  
2020/0276494 A1 \* 9/2020 Craig ..... A63B 71/022

OTHER PUBLICATIONS

6 Best Hockey Pitch Accessories. Date Posted: Mar. 15, 2018.  
Retrieved from internet: <<https://www.harrodsport.com/advice-and-guides/6-best-hockey-pitch-accessories>> [site visited Feb. 17, 2022]  
(Year: 2018).\*

\* cited by examiner

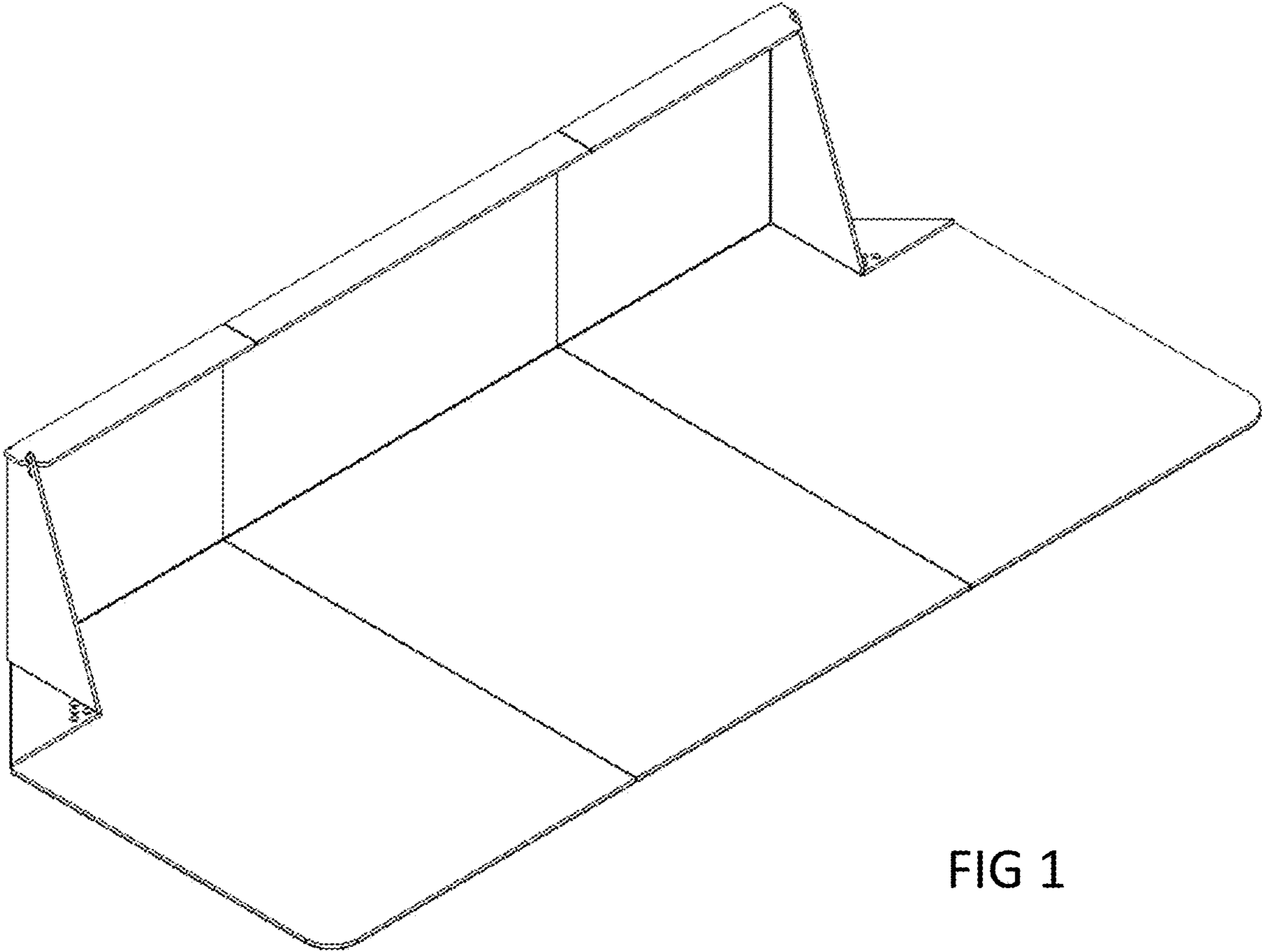


FIG 1

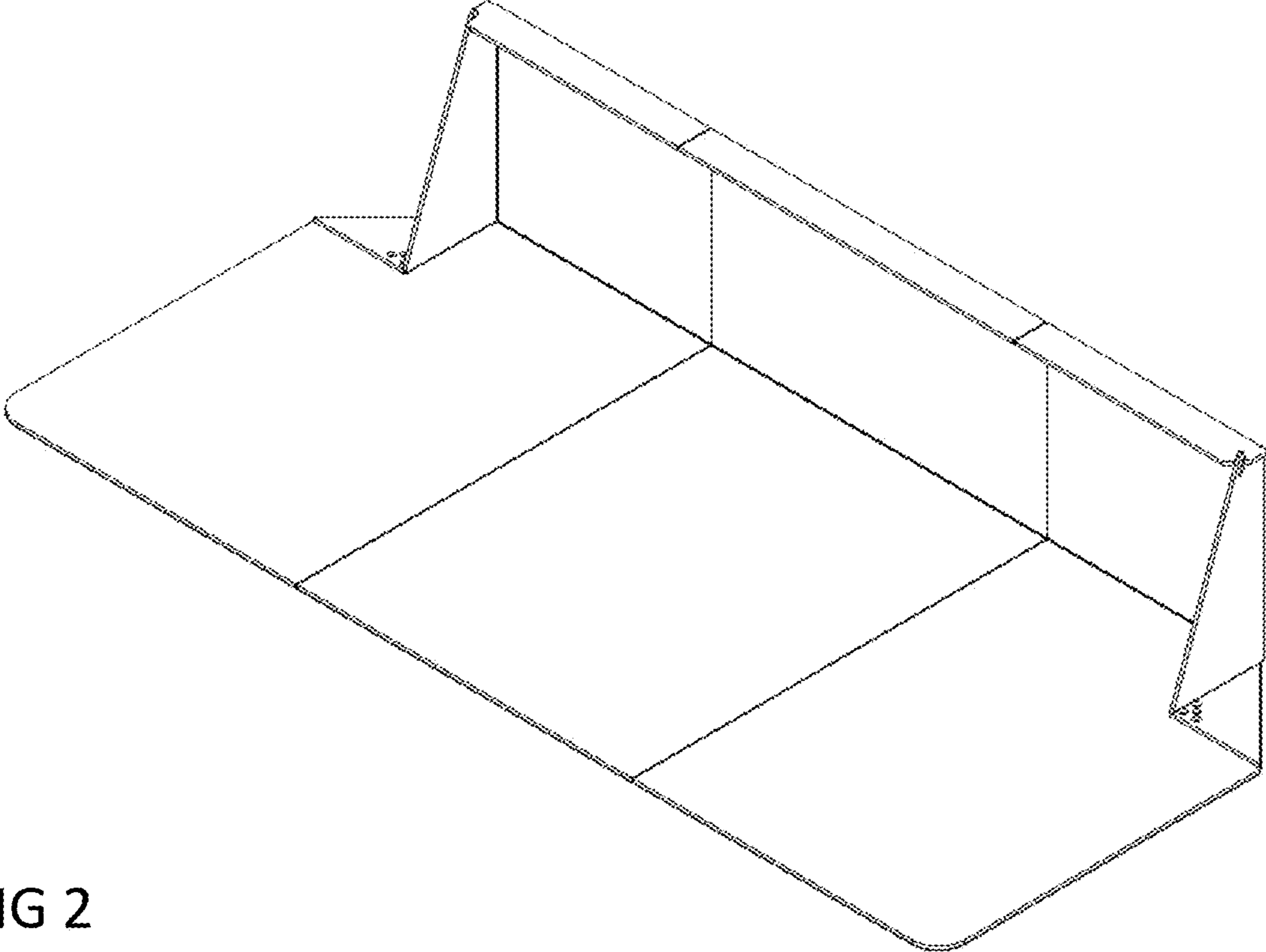


FIG 2

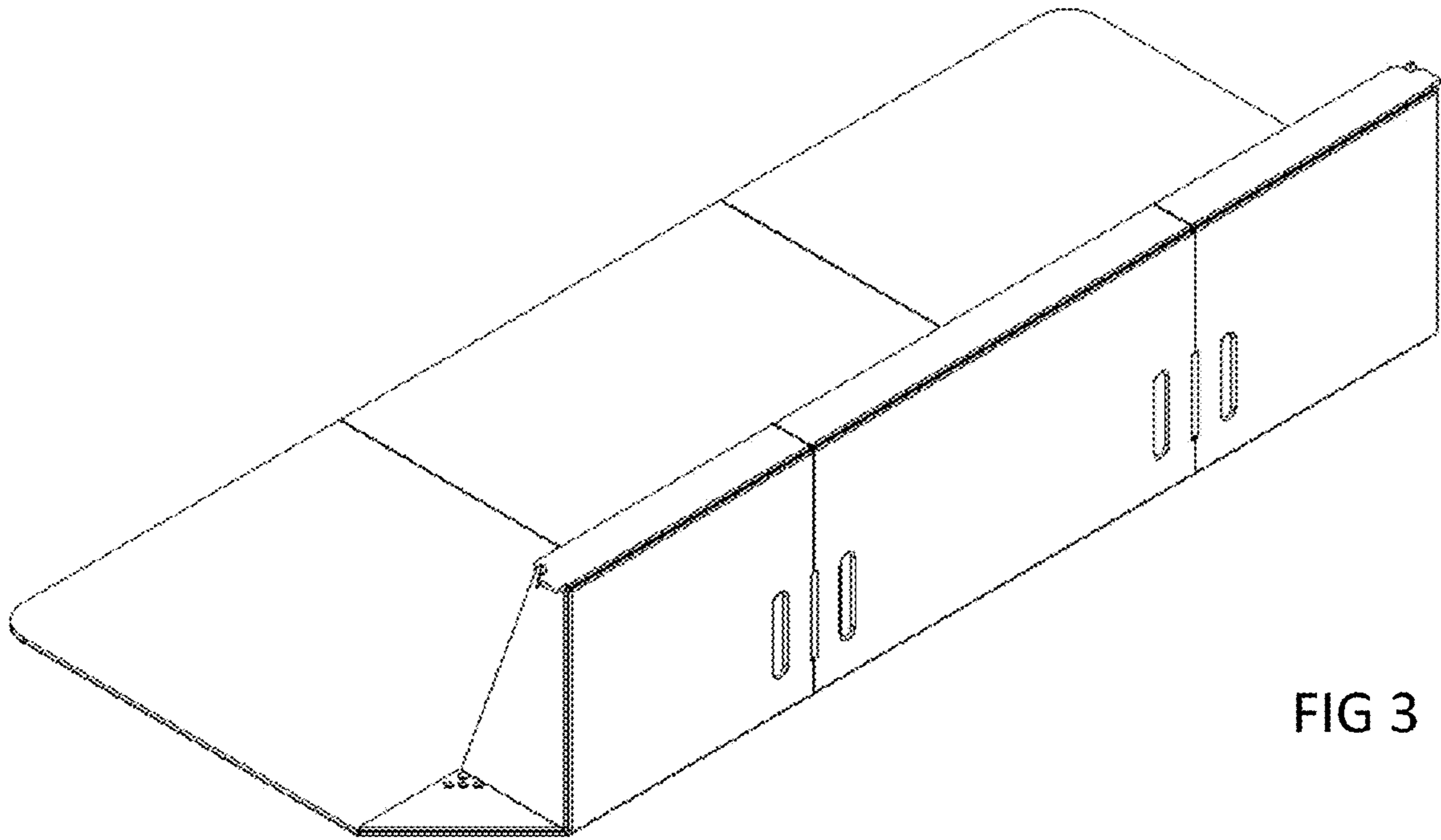


FIG 3

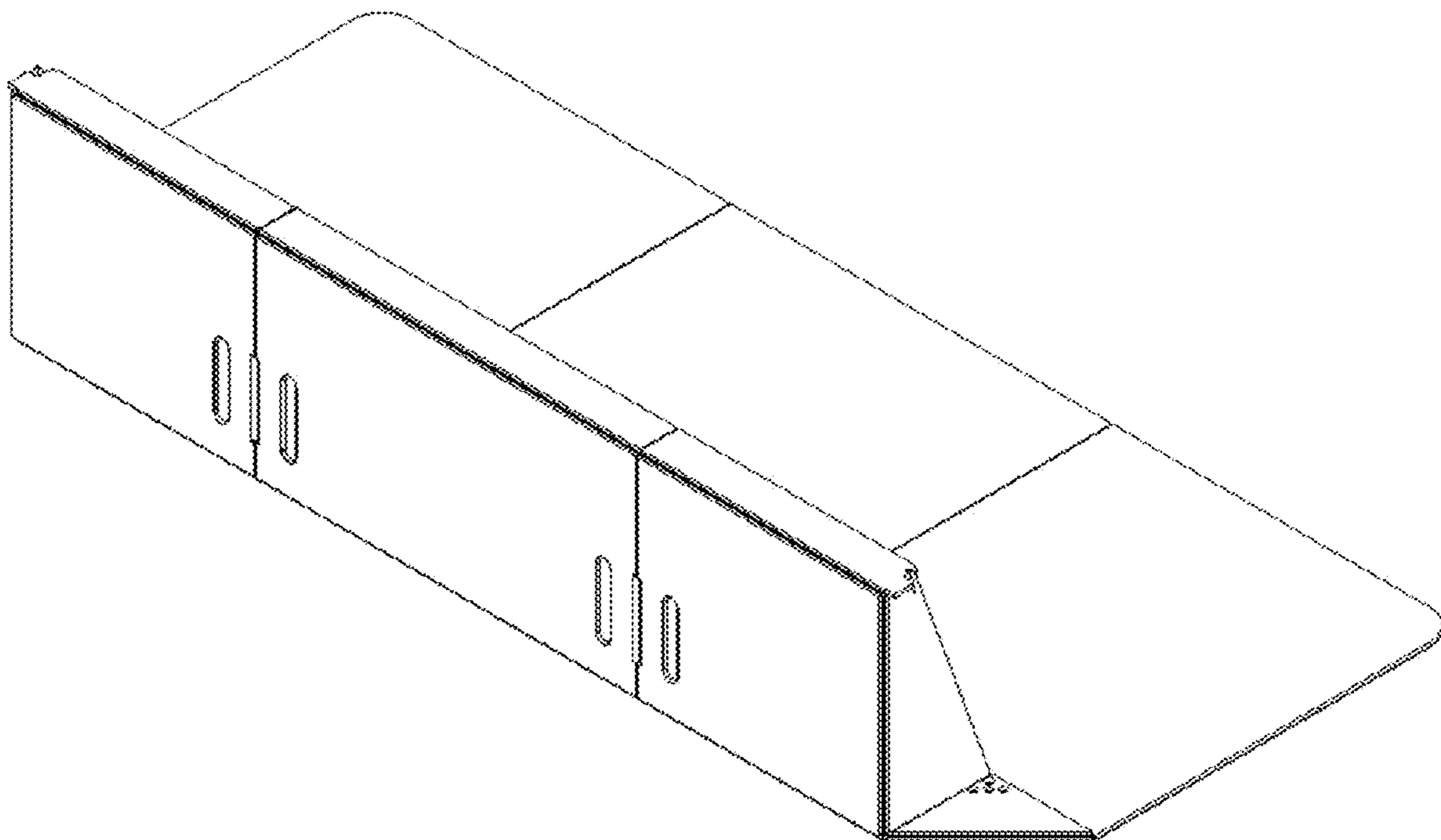


FIG 4



FIG 5



FIG 6



FIG 7



FIG 8

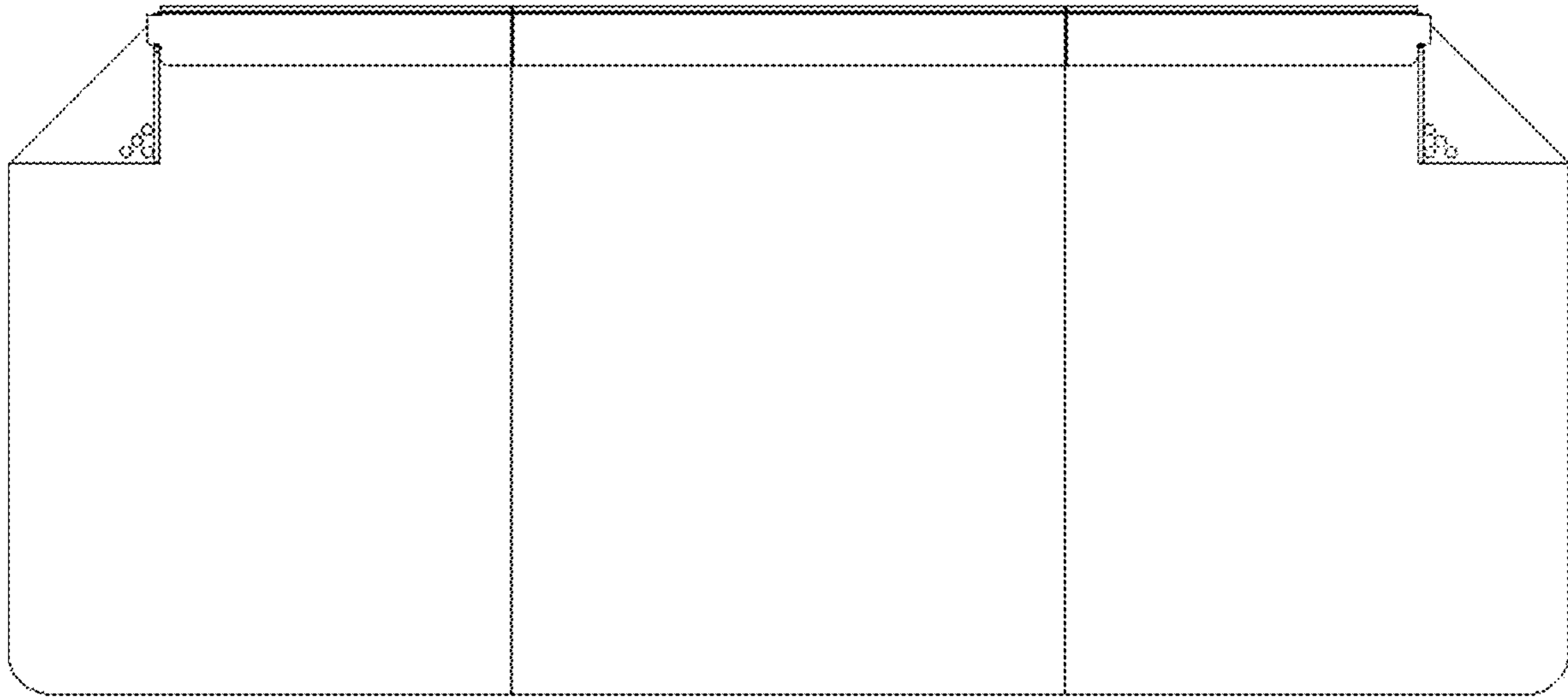


FIG 9

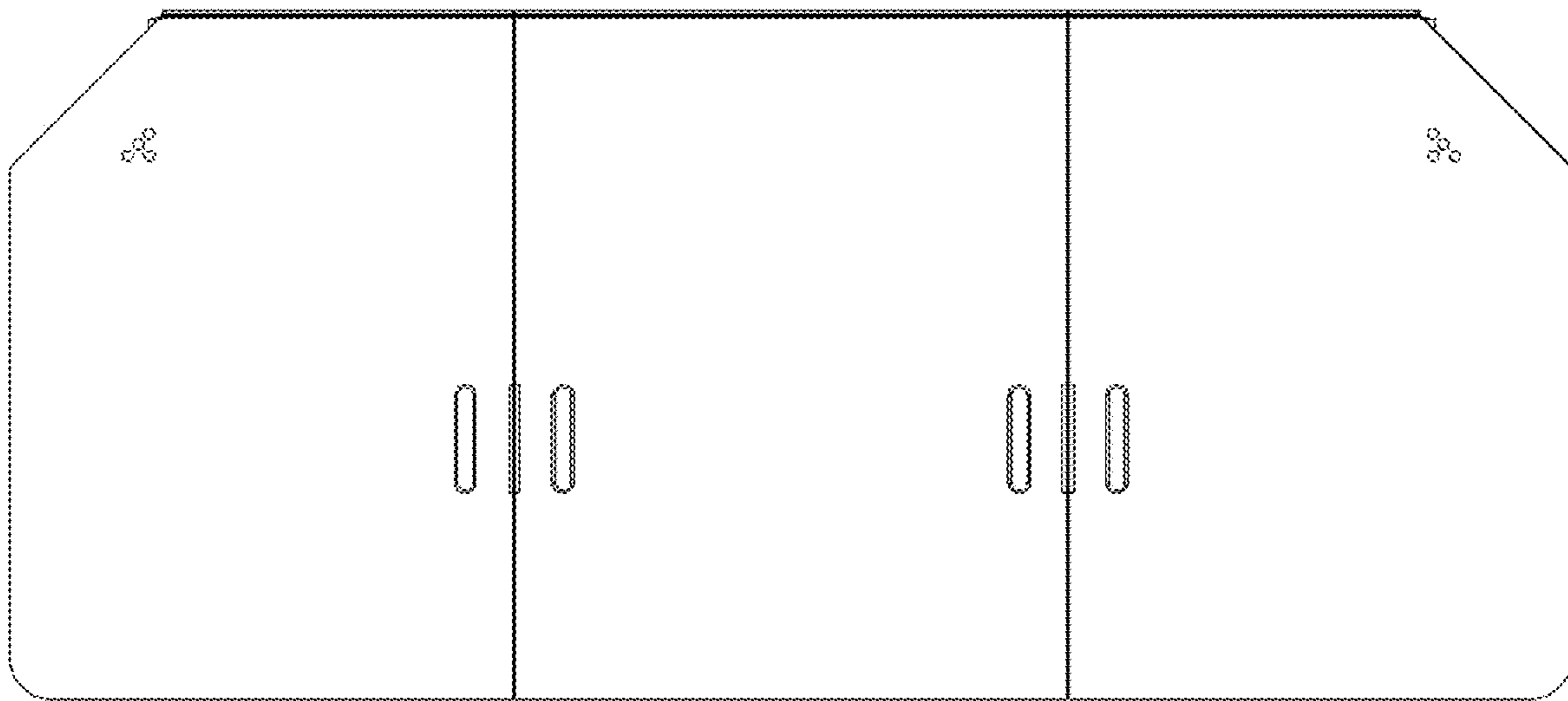


FIG 10

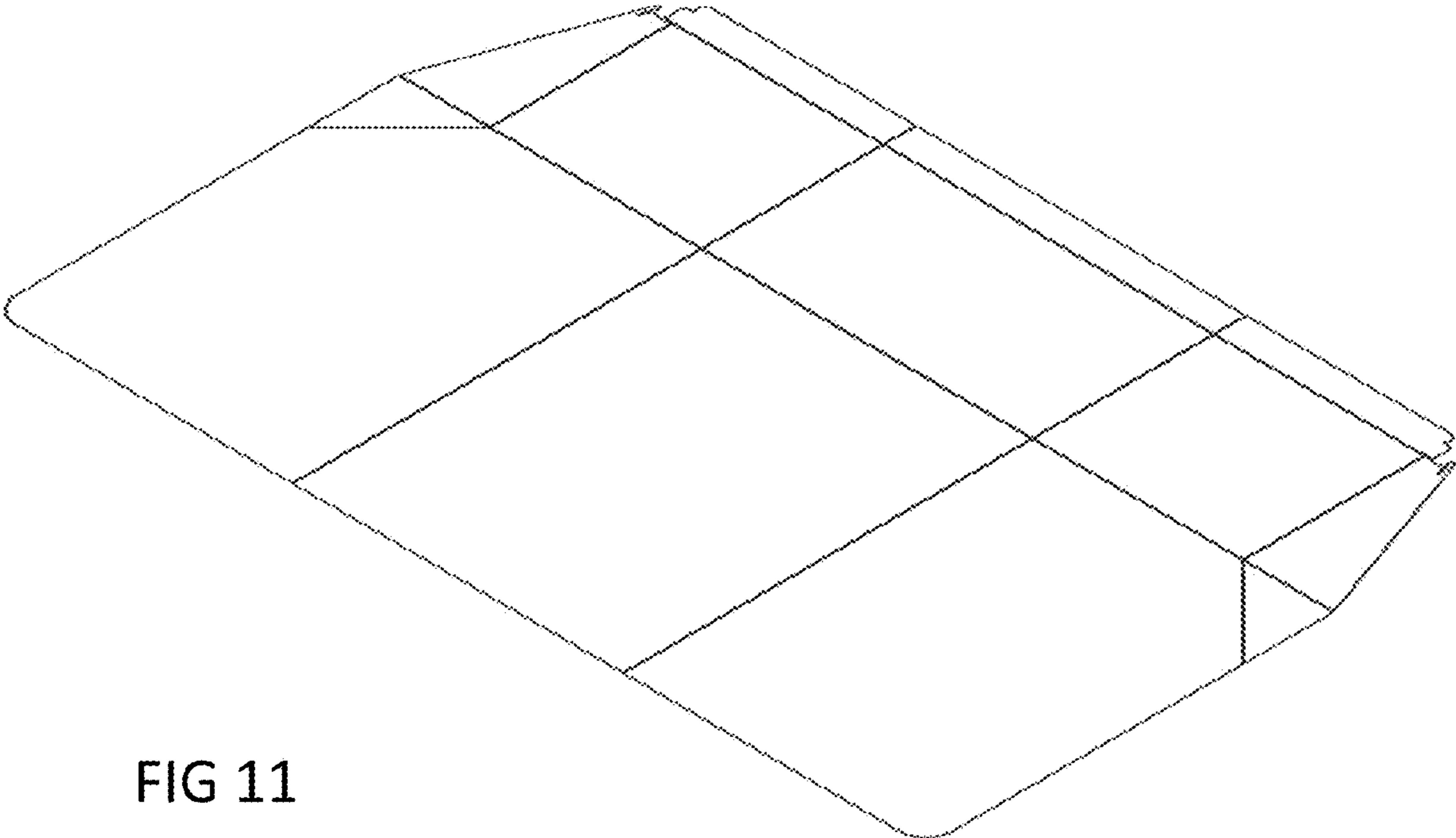


FIG 11

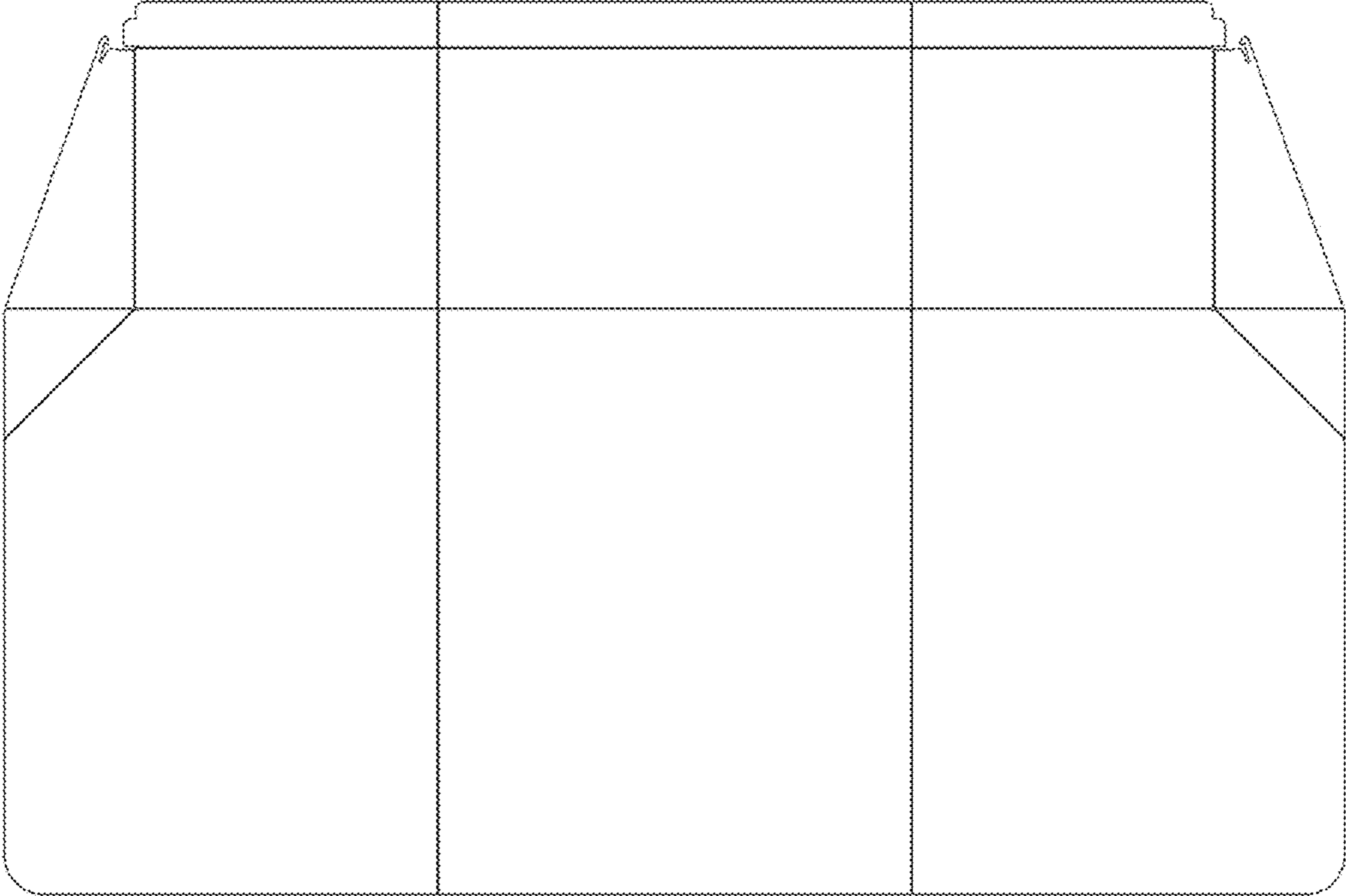


FIG 12

FIG 13

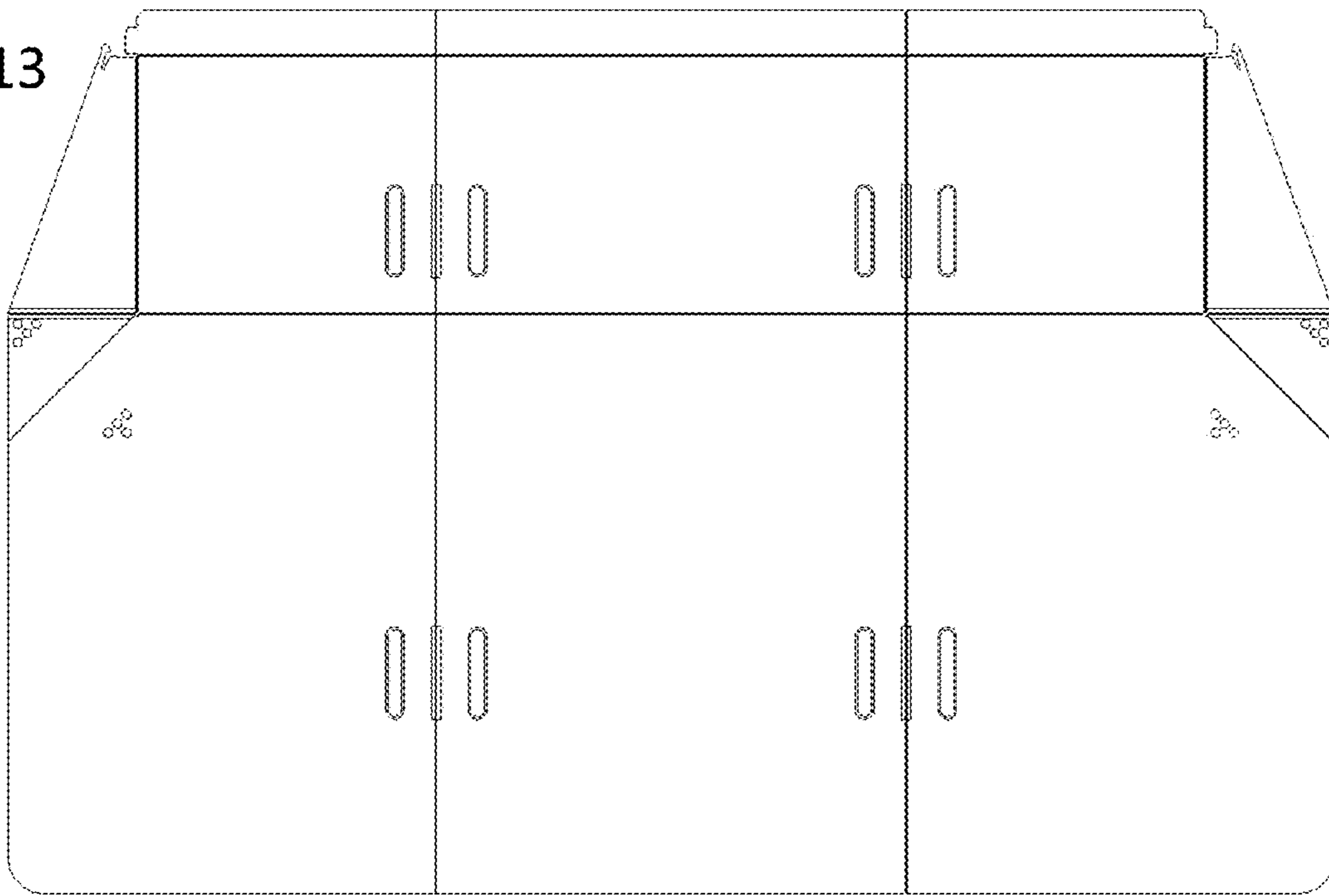


FIG 14



FIG 15



FIG 16

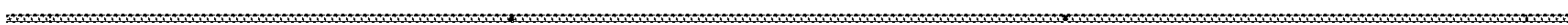
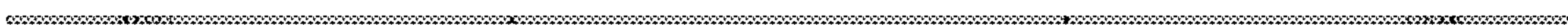
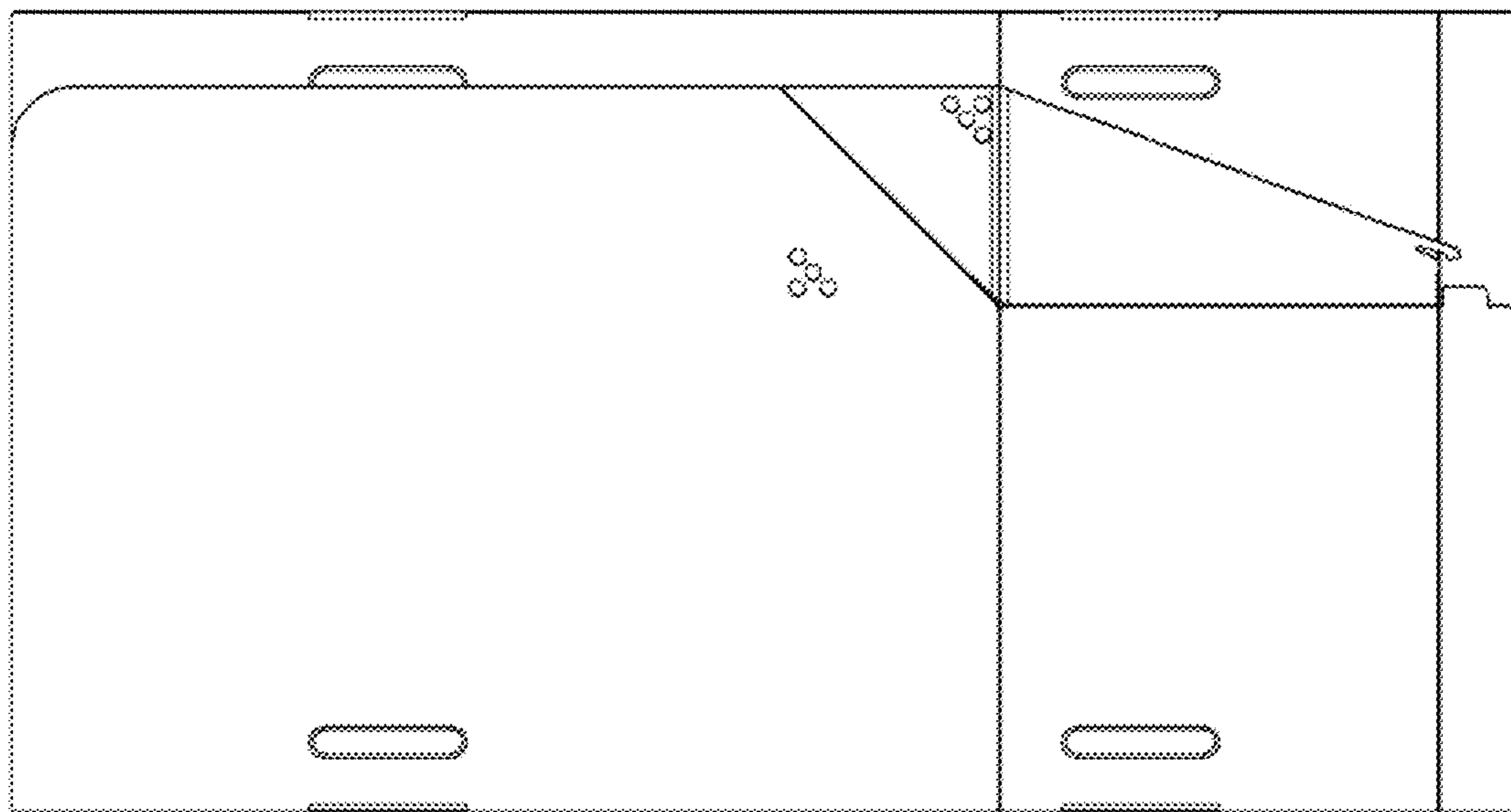
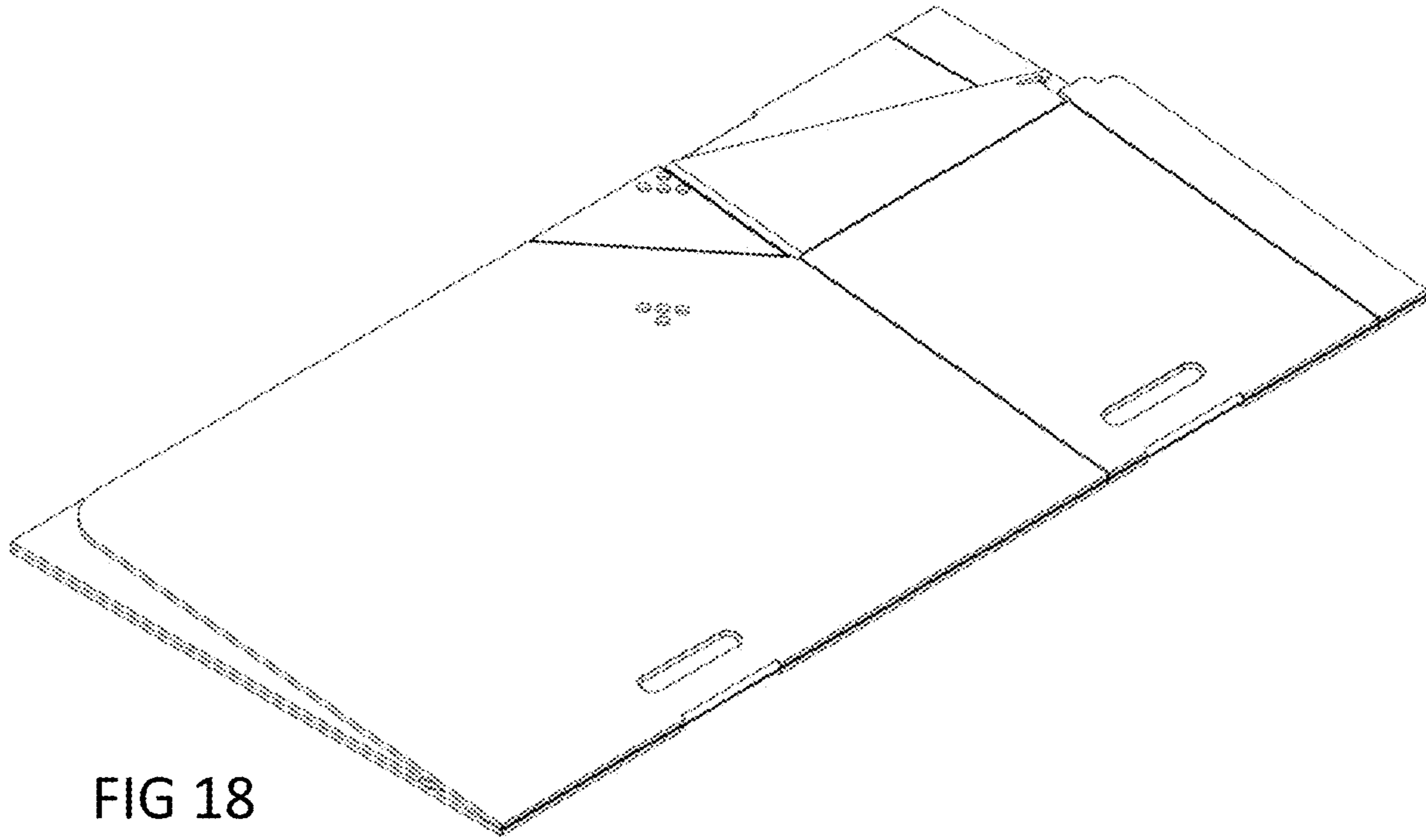


FIG 17







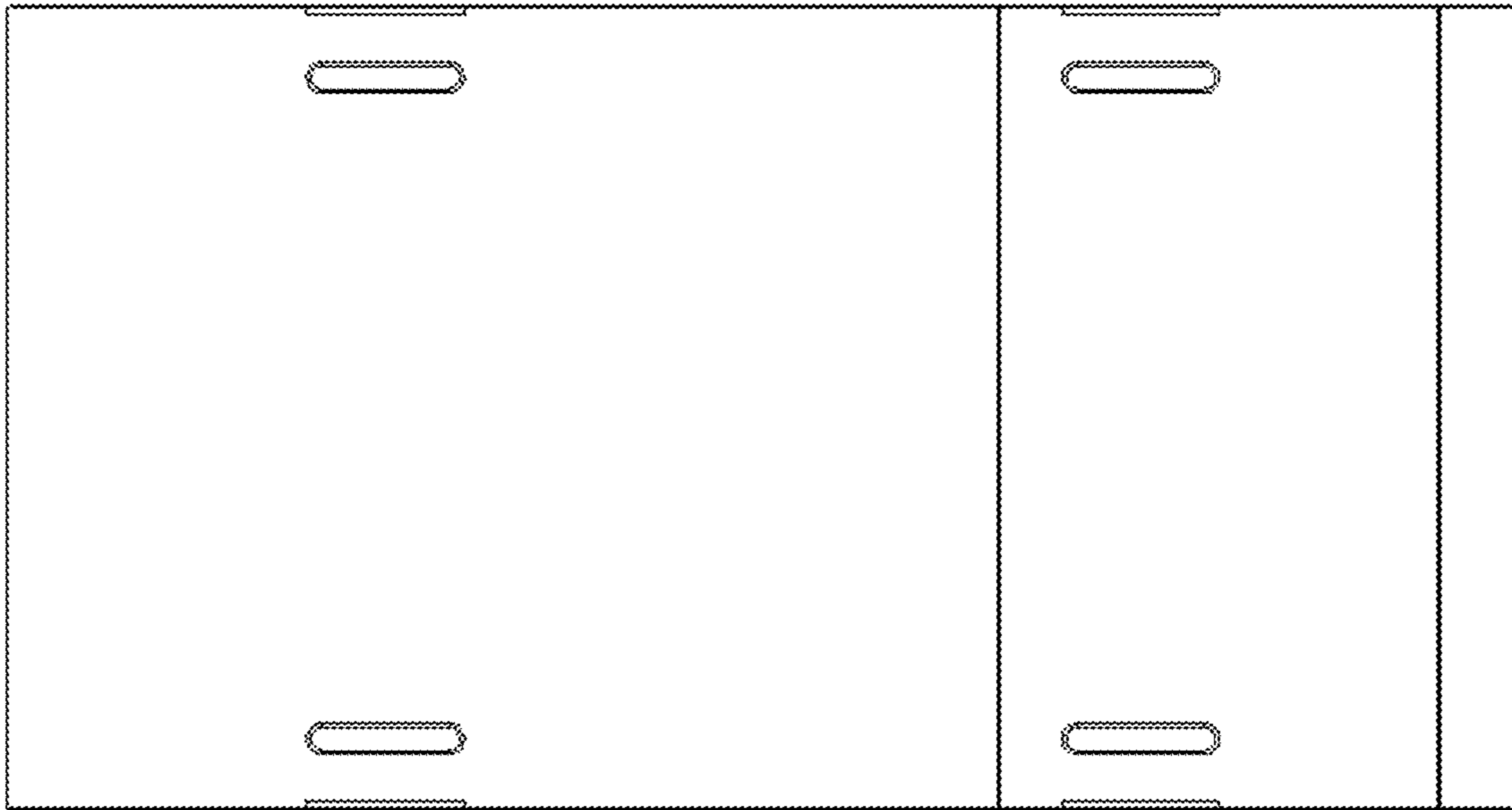


FIG 20

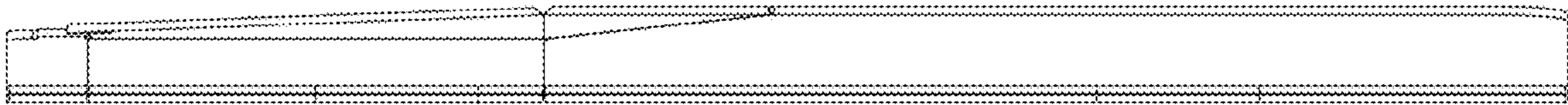


FIG 21

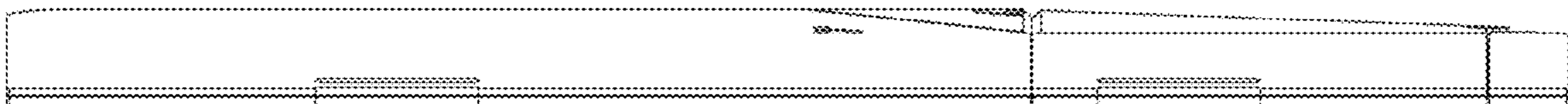


FIG 22

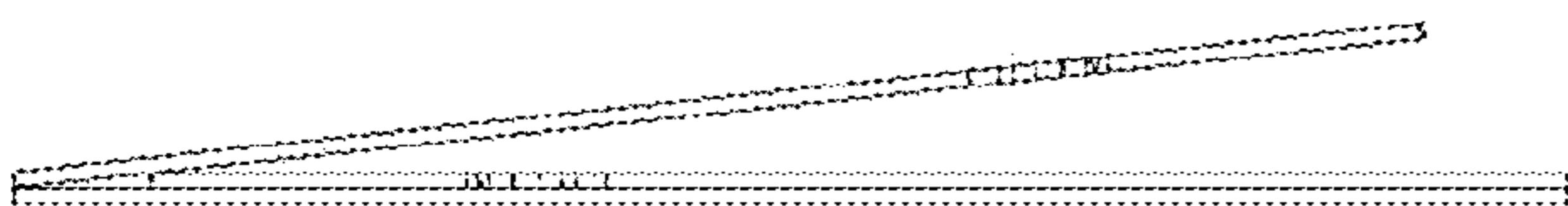


FIG 23

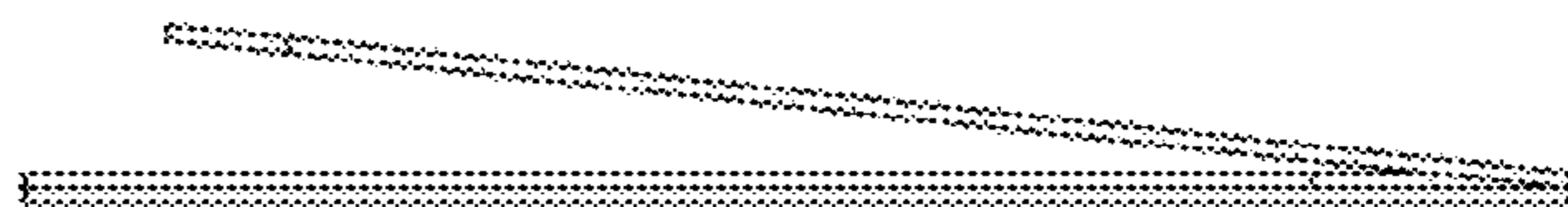


FIG 24