



US00D964489S

(12) **United States Design Patent**
Okubadejo

(10) **Patent No.:** **US D964,489 S**

(45) **Date of Patent:** **** Sep. 20, 2022**

(54) **EXERCISE HAND-GRIP**

(71) Applicant: **Gbolahan Okubadejo**, Edgewater, NJ
(US)

(72) Inventor: **Gbolahan Okubadejo**, Edgewater, NJ
(US)

(**) Term: **15 Years**

(21) Appl. No.: **29/750,753**

(22) Filed: **Sep. 16, 2020**

Related U.S. Application Data

(63) Continuation of application No. 16/248,969, filed on
Jan. 16, 2019, now Pat. No. 10,857,422.

(51) **LOC (13) Cl.** **21-02**

(52) **U.S. Cl.**
USPC **D21/684**

(58) **Field of Classification Search**
USPC D21/662, 681, 684, 811, 691, 982, 679,
D21/677, 756, 753, 694, 680
See application file for complete search history.

(56) **References Cited**

U.S. PATENT DOCUMENTS

- 1,998,197 A * 4/1935 Lang A61H 15/00
482/79
- 8,033,965 B1 * 10/2011 Krull A63B 21/072
482/107
- D788,072 S * 5/2017 Leeper D14/209.1
- D790,645 S * 6/2017 Oldknow D21/759
- D799,610 S * 10/2017 Ho D21/681
- D848,557 S * 5/2019 Lim D21/694

- D865,880 S * 11/2019 Laurence D21/681
- D877,825 S * 3/2020 Hodes D21/682
- 11,090,218 B2 * 8/2021 Henniger A61H 7/001
- 2010/0022365 A1 * 1/2010 Ngu A63B 21/075
482/108
- 2015/0126340 A1 * 5/2015 White A63B 21/06
482/93
- 2019/0143168 A1 * 5/2019 Chang A63B 21/4035
482/138
- 2019/0224523 A1 * 7/2019 Okubadejo A63B 21/0442
- 2020/0061411 A1 * 2/2020 Kelberman A63B 21/00069

* cited by examiner

Primary Examiner — Khawaja Anwar

Assistant Examiner — Julice Seung Eun Oum

(74) *Attorney, Agent, or Firm* — Lawrence B. Goodwin;
Mandelbaum Barrett PC

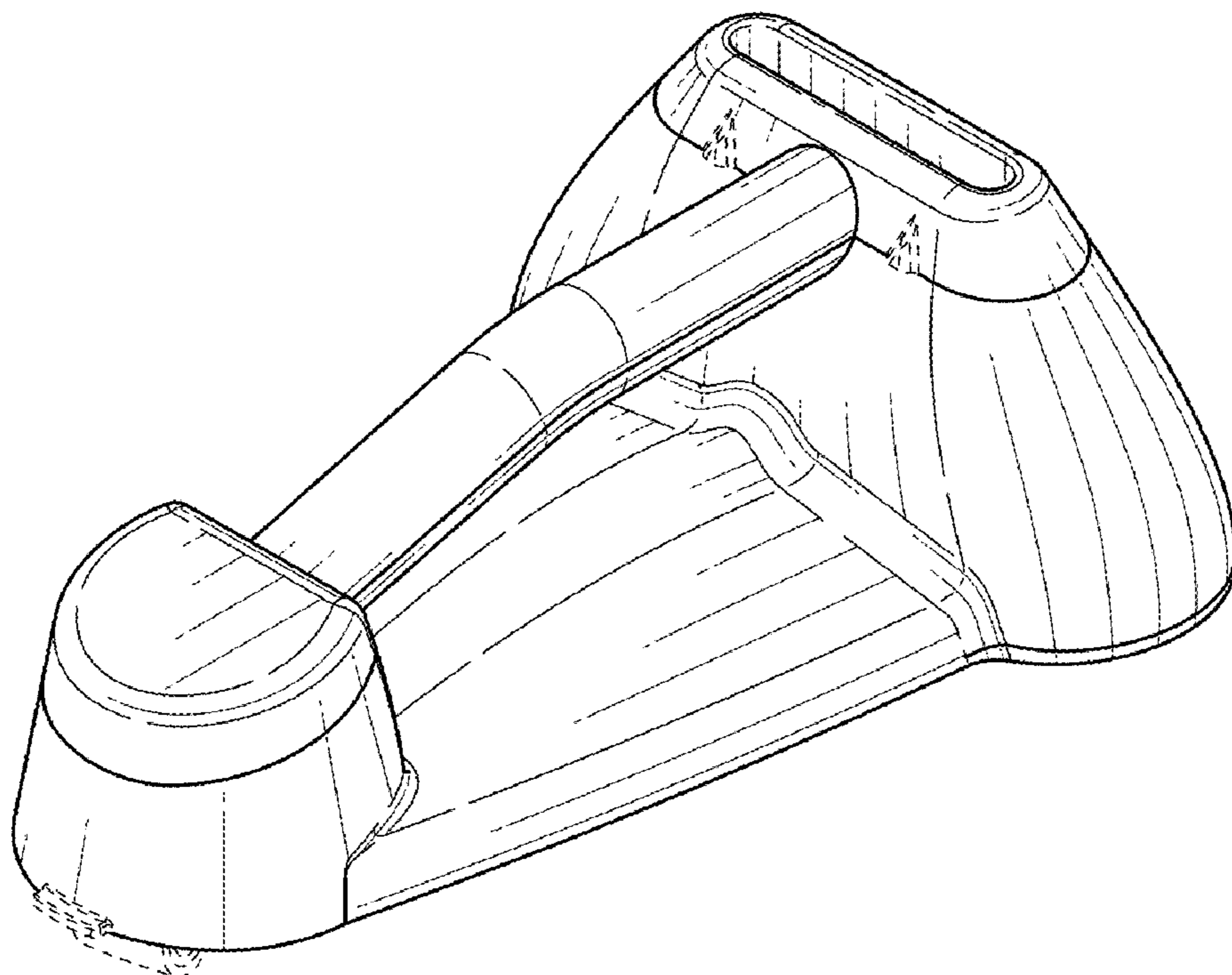
(57) **CLAIM**

The ornamental design for an exercise hand-grip, as shown
and described.

DESCRIPTION

FIG. 1 is a top, right, front perspective view showing the
exercise hand-grip;
FIG. 2 is a front view showing the exercise hand-grip;
FIG. 3 is a rear view showing the exercise hand-grip;
FIG. 4 is a left side view showing the exercise hand-grip;
FIG. 5 is a right side view showing the exercise hand-grip;
FIG. 6 is a top view showing the exercise hand-grip; and,
FIG. 7 is a bottom view showing the exercise hand-grip.
Where utilized, the broken lines show portions of the
exercise hand-grip that form no part of the claimed design.

1 Claim, 4 Drawing Sheets



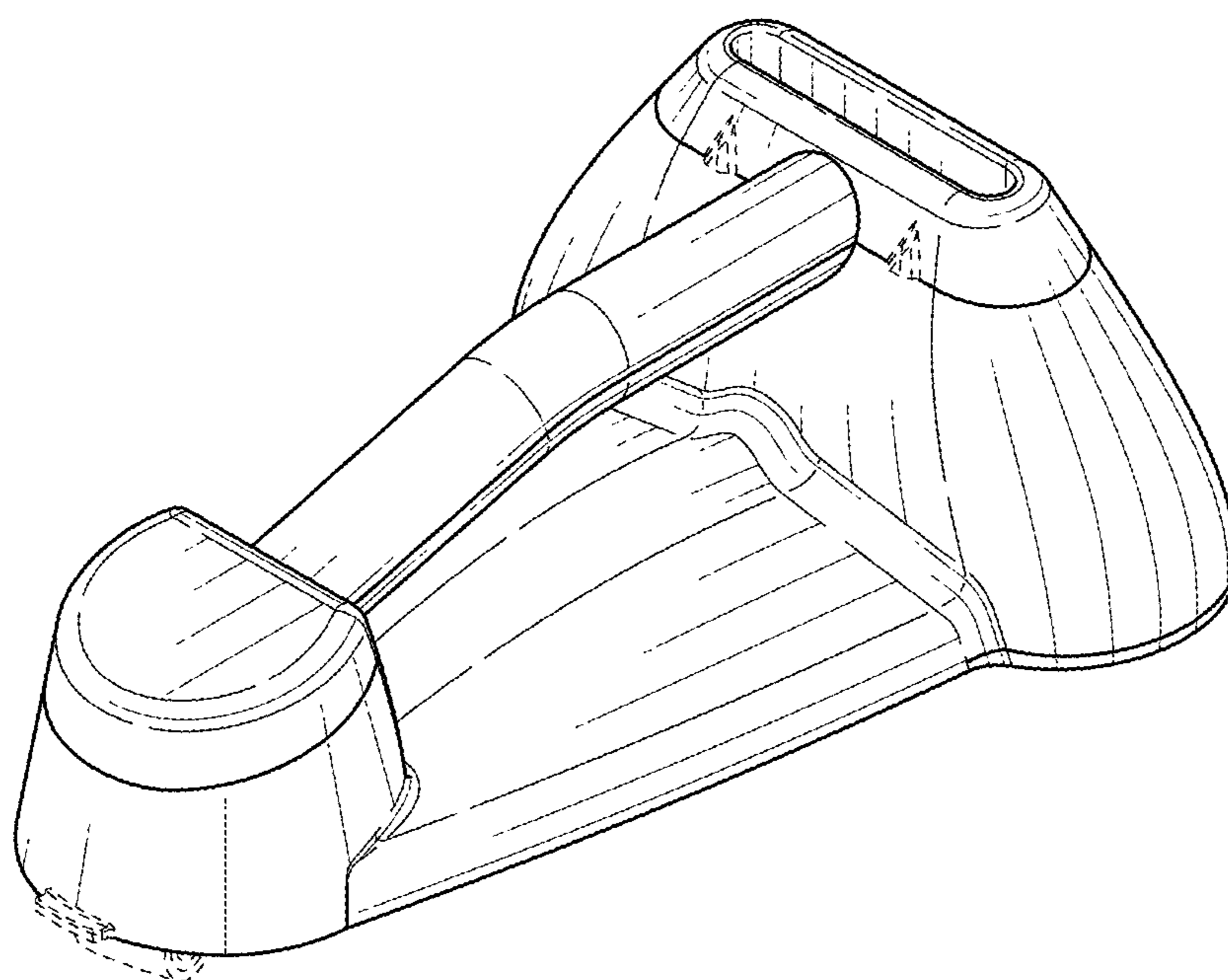


FIG. 1

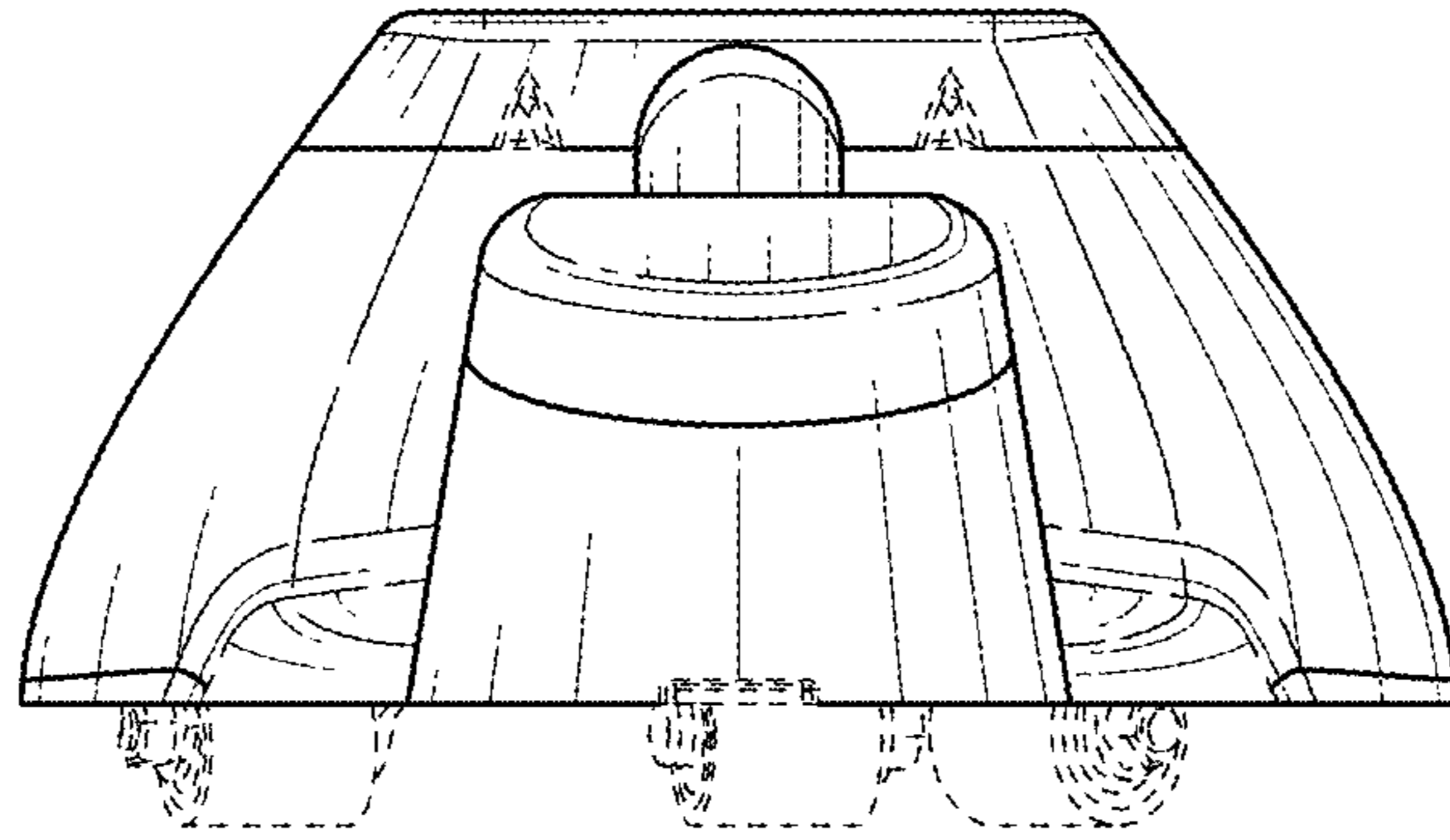


FIG. 2

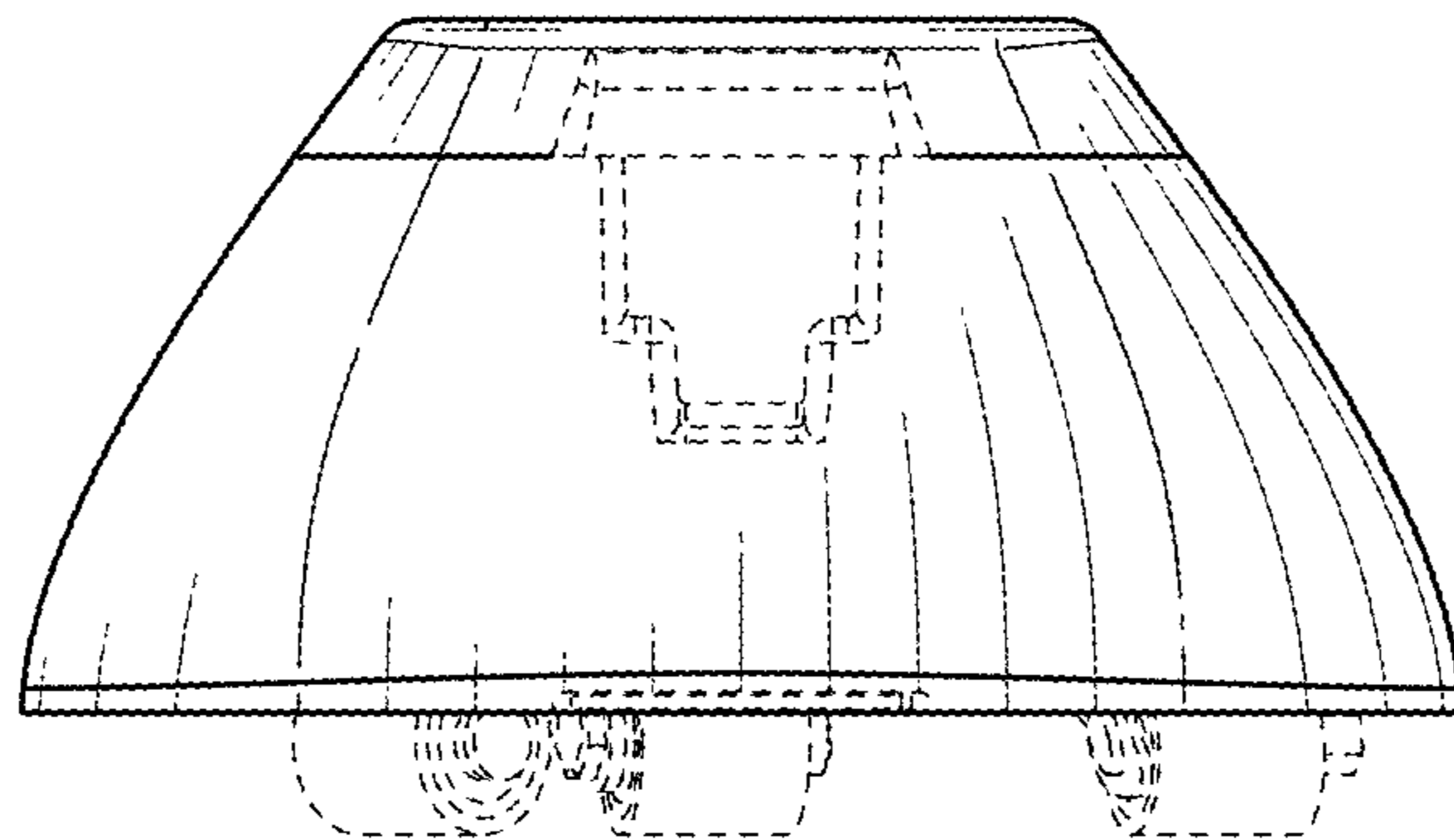


FIG. 3

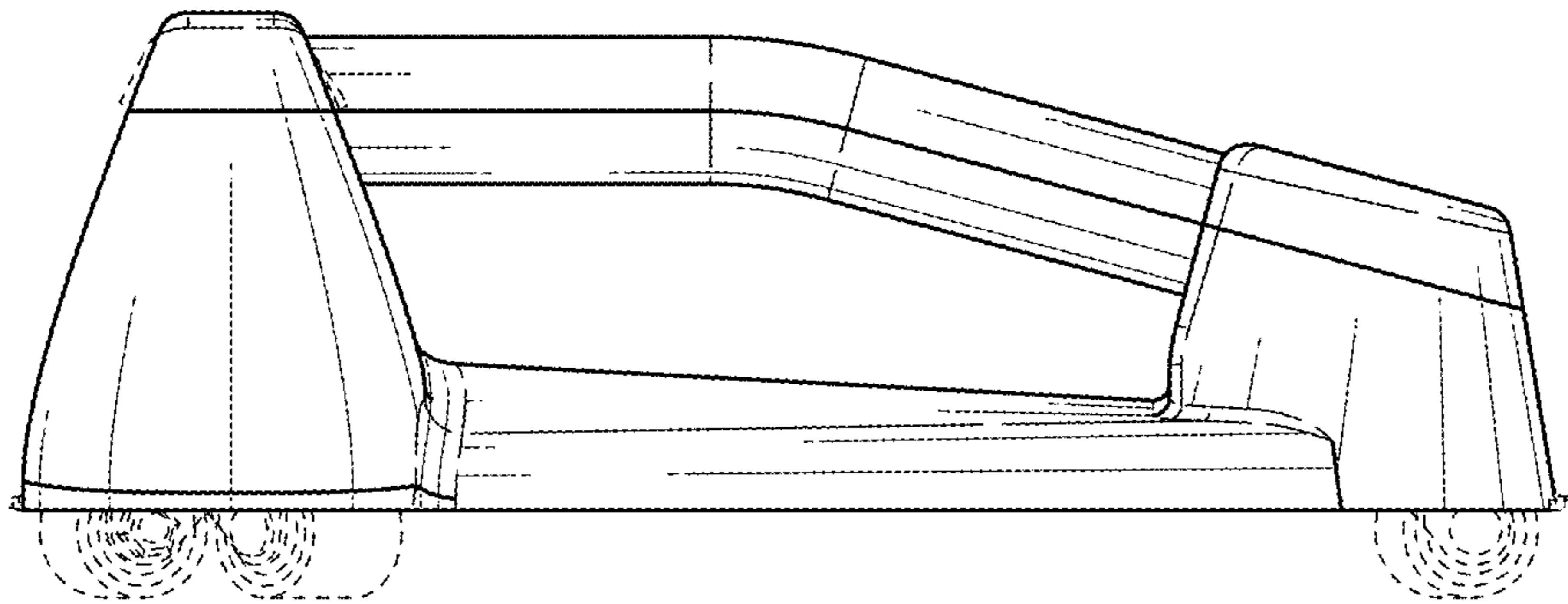


FIG. 4

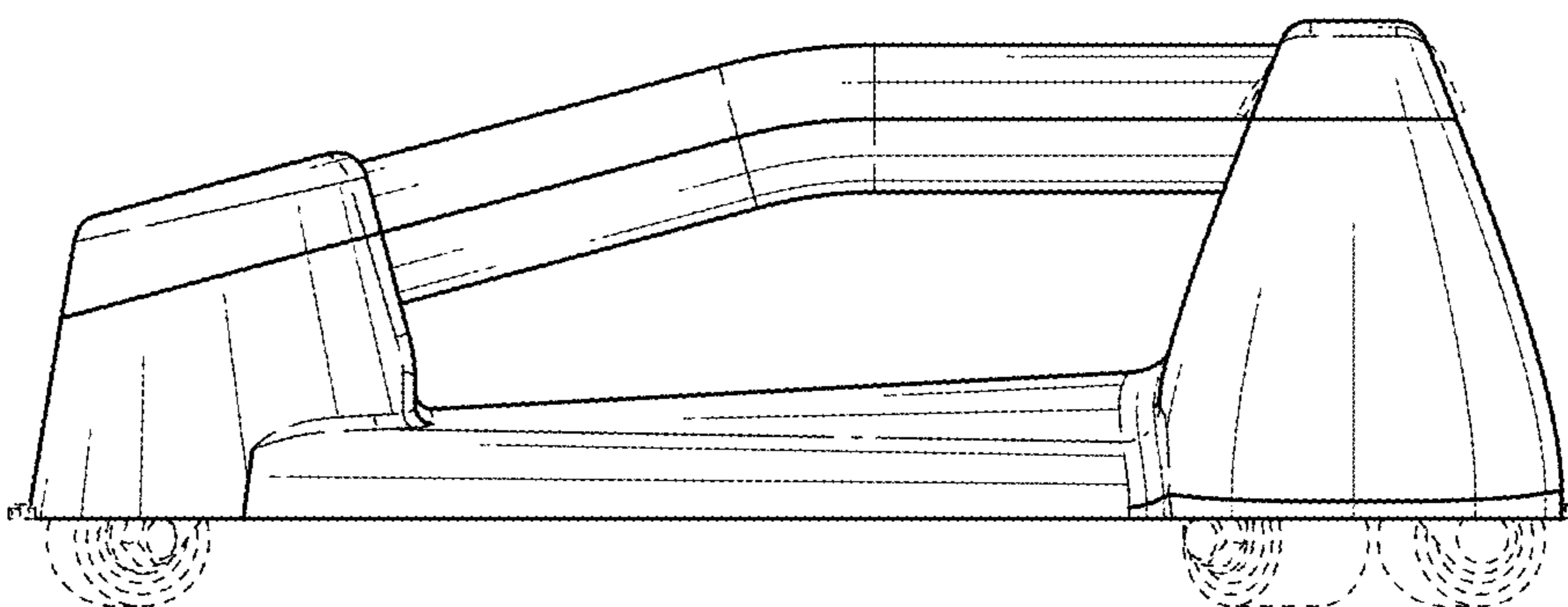


FIG. 5

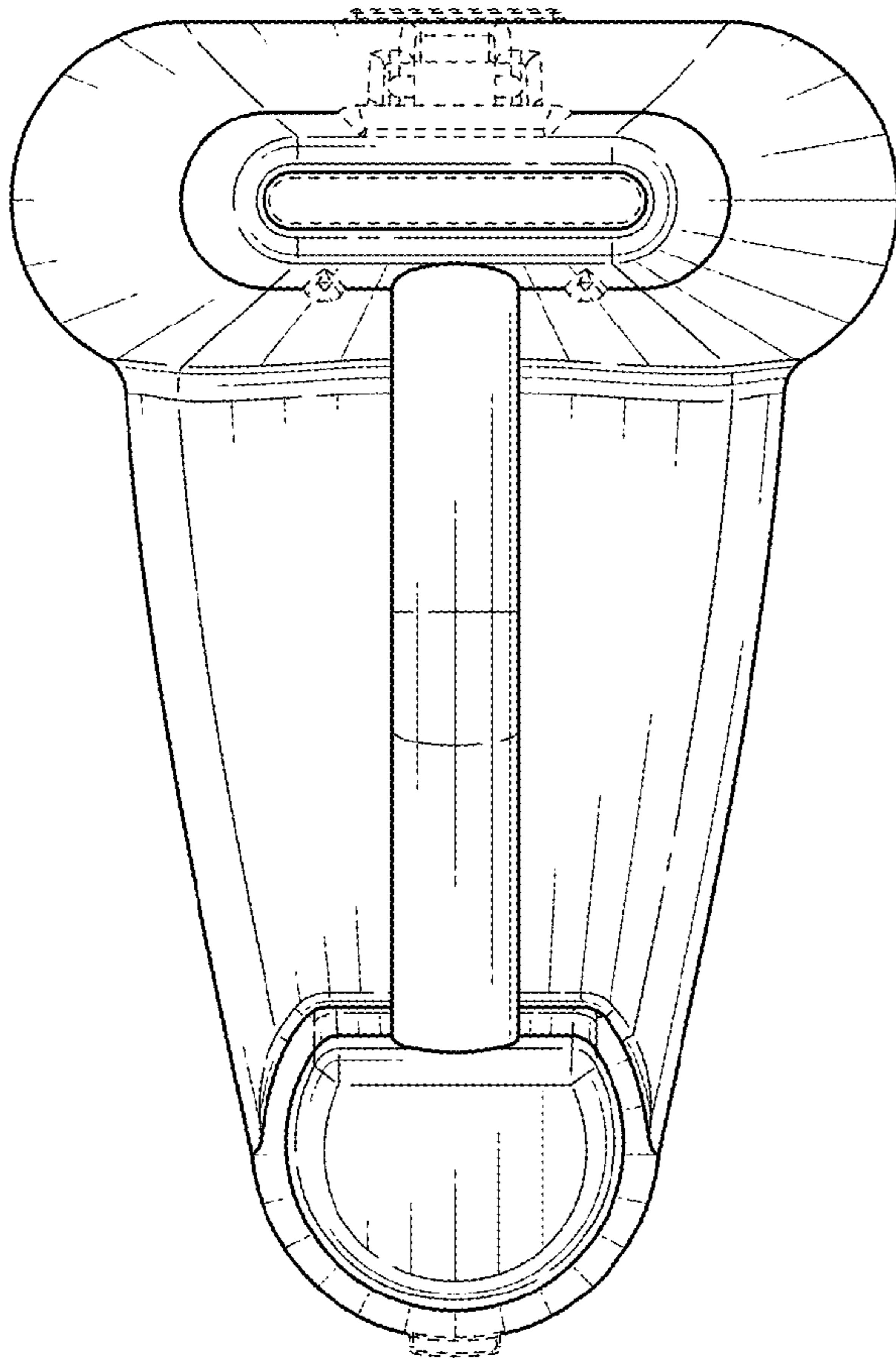


FIG. 6

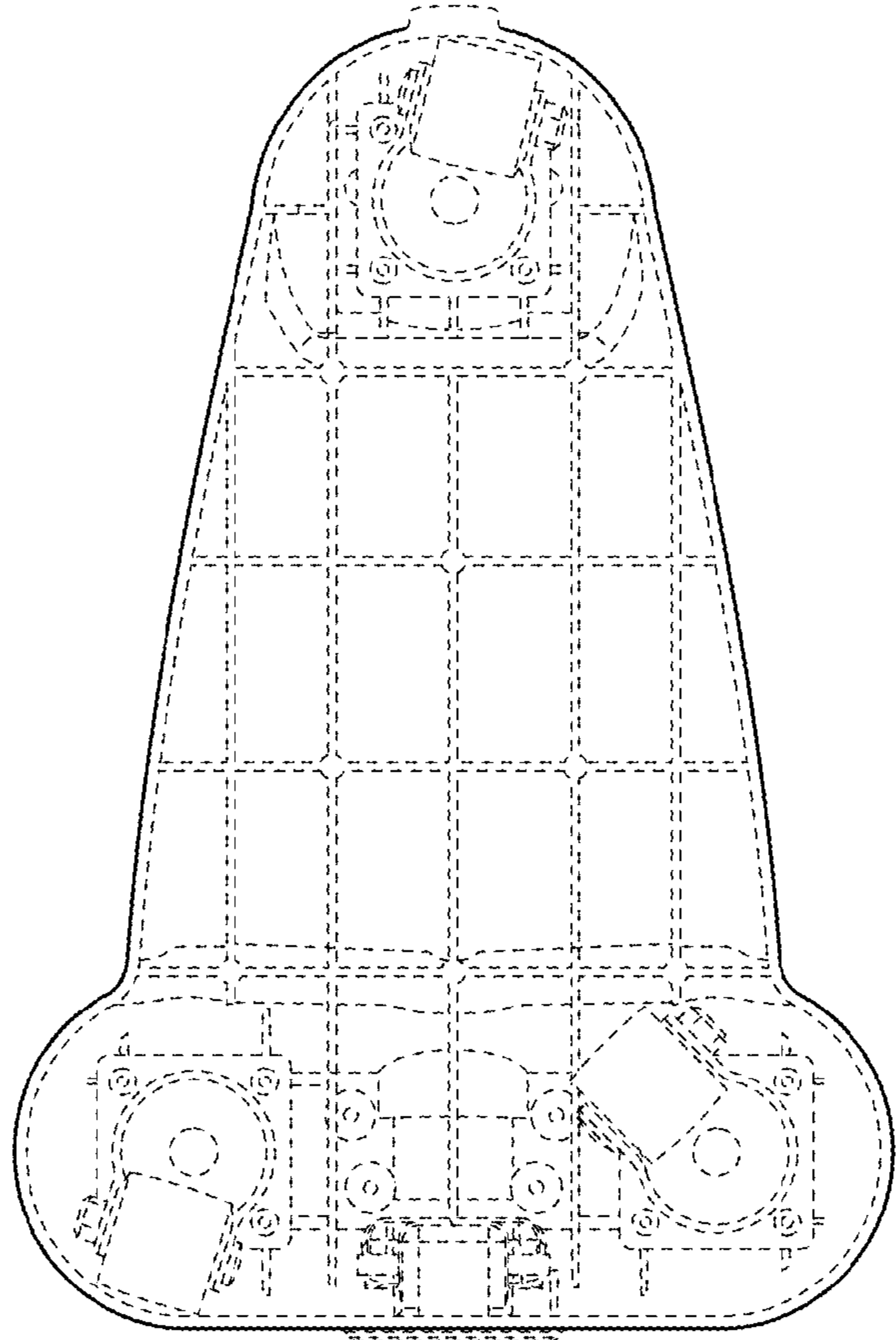


FIG. 7