



US00D964488S

(12) **United States Design Patent**
Rothschild

(10) **Patent No.:** **US D964,488 S**

(45) **Date of Patent:** **** Sep. 20, 2022**

(54) **WEIGHT PLATE**

(71) Applicant: **Sound Shore Innovations L.L.C.**,
Darien, CT (US)

(72) Inventor: **Kyle D. Rothschild**, Darien, CT (US)

(73) Assignee: **Sound Shore Innovations L.L.C.**,
Darien, CT (US)

(**) Term: **15 Years**

(21) Appl. No.: **29/814,141**

(22) Filed: **Nov. 3, 2021**

Related U.S. Application Data

(63) Continuation-in-part of application No. 29/717,246,
filed on Dec. 16, 2019, now Pat. No. Des. 937,943.

(51) **LOC (13) Cl.** **21-02**

(52) **U.S. Cl.**
USPC **D21/680**

(58) **Field of Classification Search**
USPC D21/662, 681, 682, 694, 680, 684, 679
See application file for complete search history.

(56) **References Cited**

U.S. PATENT DOCUMENTS

D896,901 S	*	9/2020	Jones	D21/681
D930,764 S	*	9/2021	Jones	D21/680
D937,942 S	*	12/2021	Rothschild	A63B 21/0604
					D21/680
D937,943 S	*	12/2021	Rothschild	D21/680
D944,341 S	*	2/2022	Henniger	D21/680

OTHER PUBLICATIONS

Cap barbell store, announced 2015[online], [site visited Jan. 19, 2021]. Available on internet, URL:https://www.amazon.com/CAP-Barbell-Olympic-Rubber-Bumper/dp/B00XP88TCU/ref(Year: 2015).*

* cited by examiner

Primary Examiner — Khawaja Anwar

Assistant Examiner — Julice Seung Eun Oum

(74) *Attorney, Agent, or Firm* — Jones Day

(57) **CLAIM**

The ornamental design for a weight plate, as shown and described.

DESCRIPTION

FIG. 1 is a perspective view of a weight plate showing my new design, the bottom perspective view being a mirror image;

FIG. 2 is a top plan view thereof;

FIG. 3 is a bottom plan view thereof which is a mirror image of the top plan view;

FIG. 4 is a left side elevational view thereof;

FIG. 5 is a right side elevational view thereof which is a mirror image of the left side elevational view;

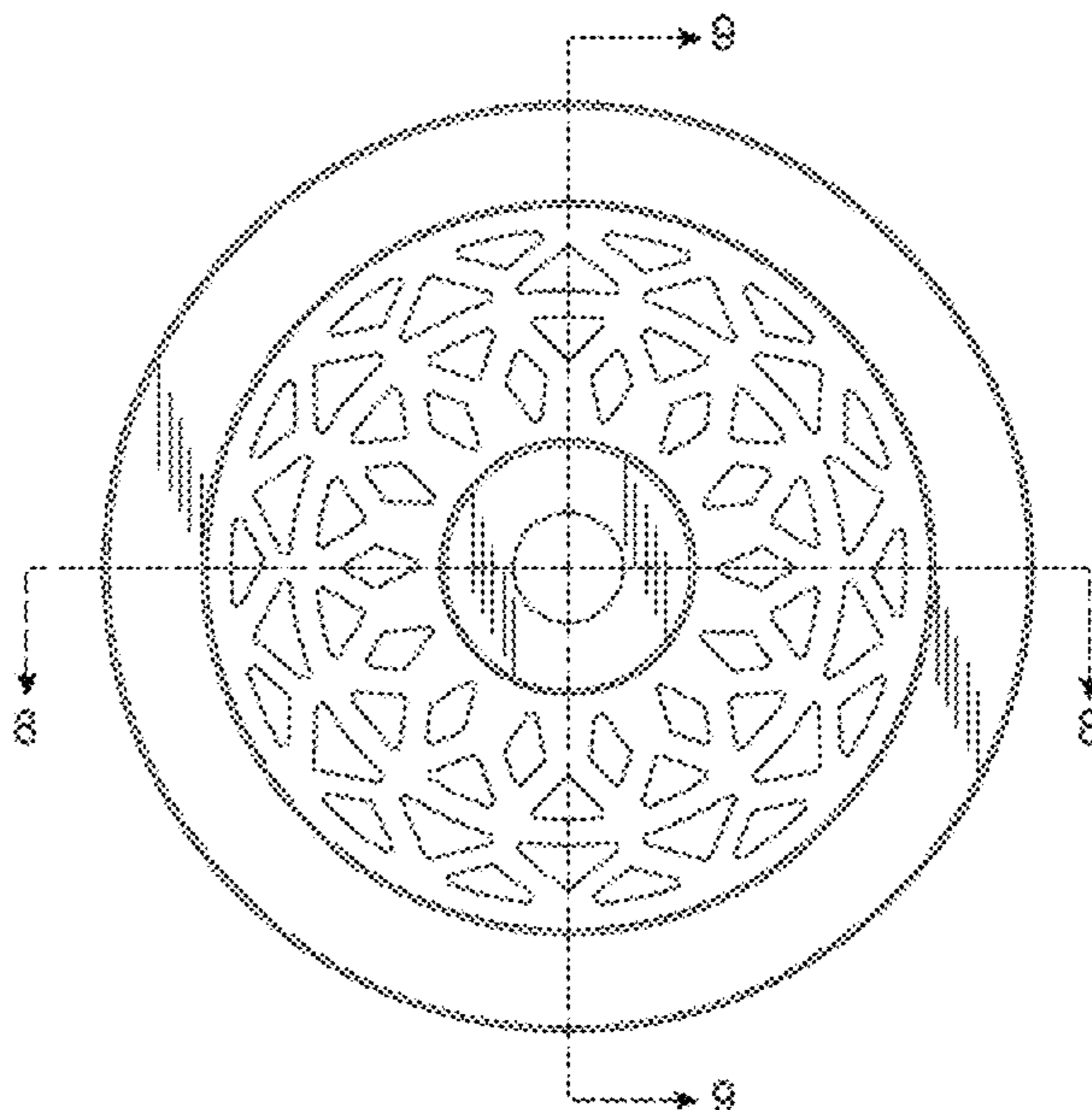
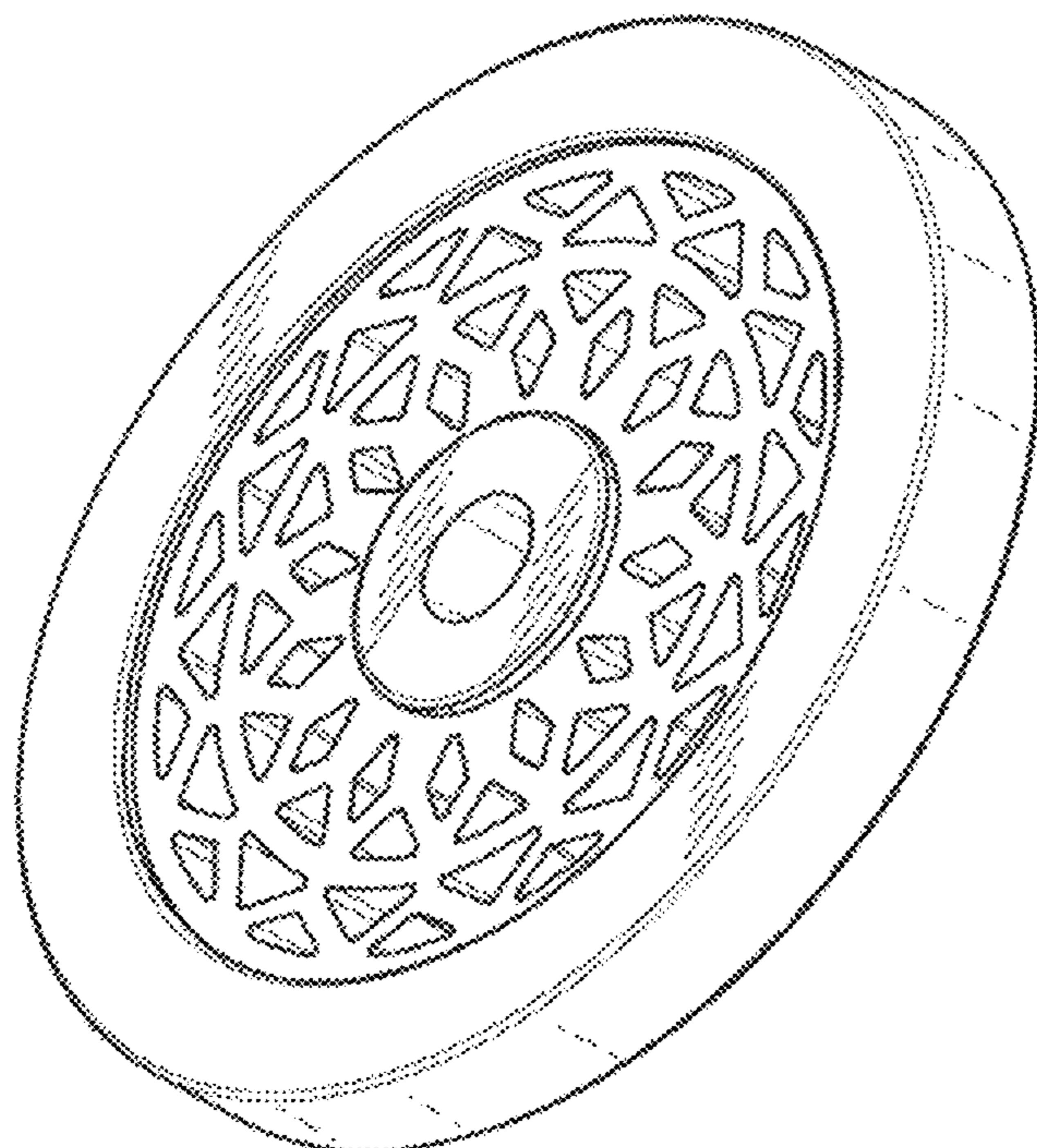
FIG. 6 is a front elevational view thereof;

FIG. 7 is a rear elevational view thereof which is a mirror image of the front elevational view;

FIG. 8 is a cross sectional view of the weight plate of FIG. 2 along the line referenced as 8;

and, FIG. 9 is a cross sectional view of the weight plate of FIG. 2 along the line referenced as 9.

1 Claim, 6 Drawing Sheets



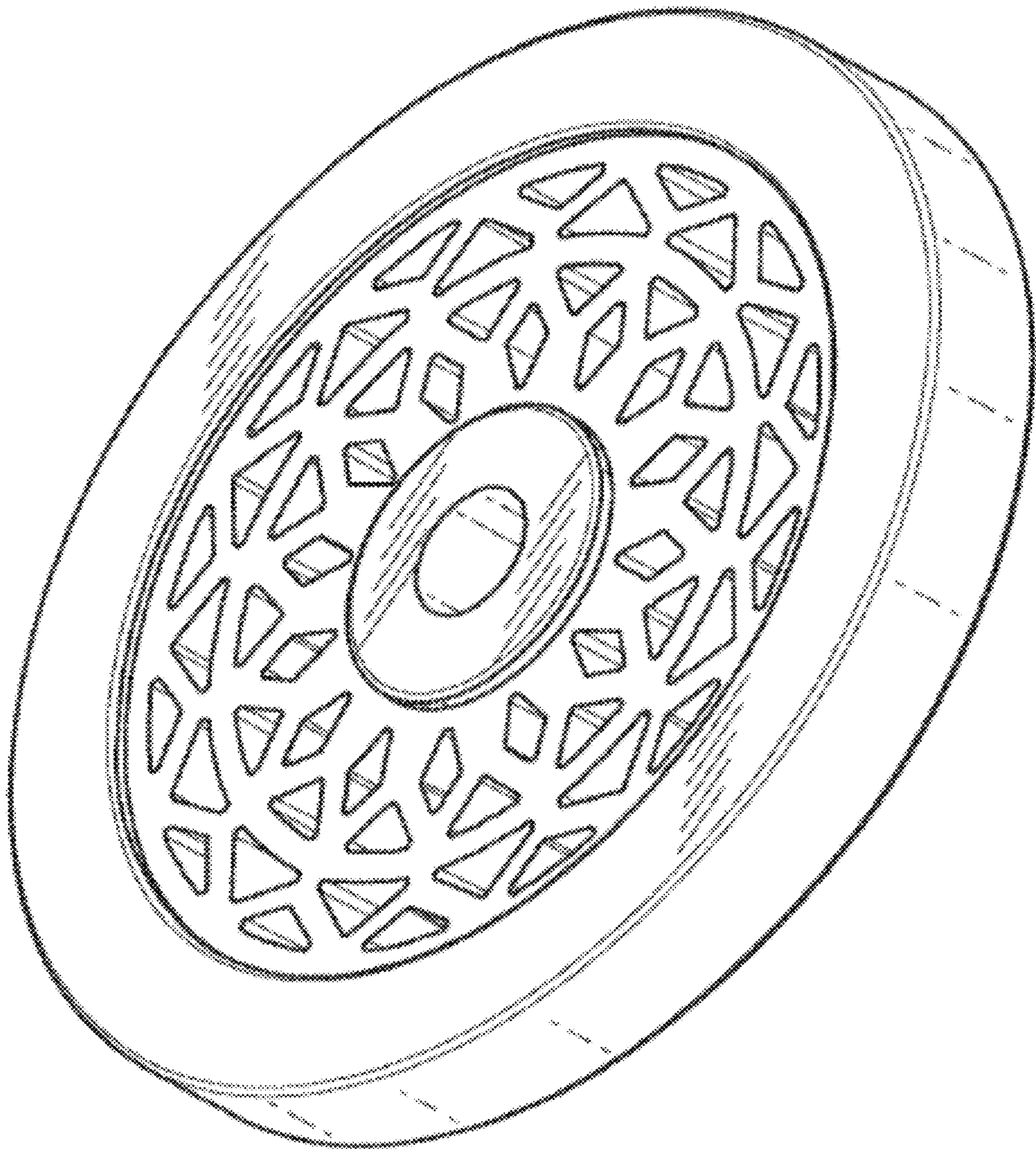


FIG. 1

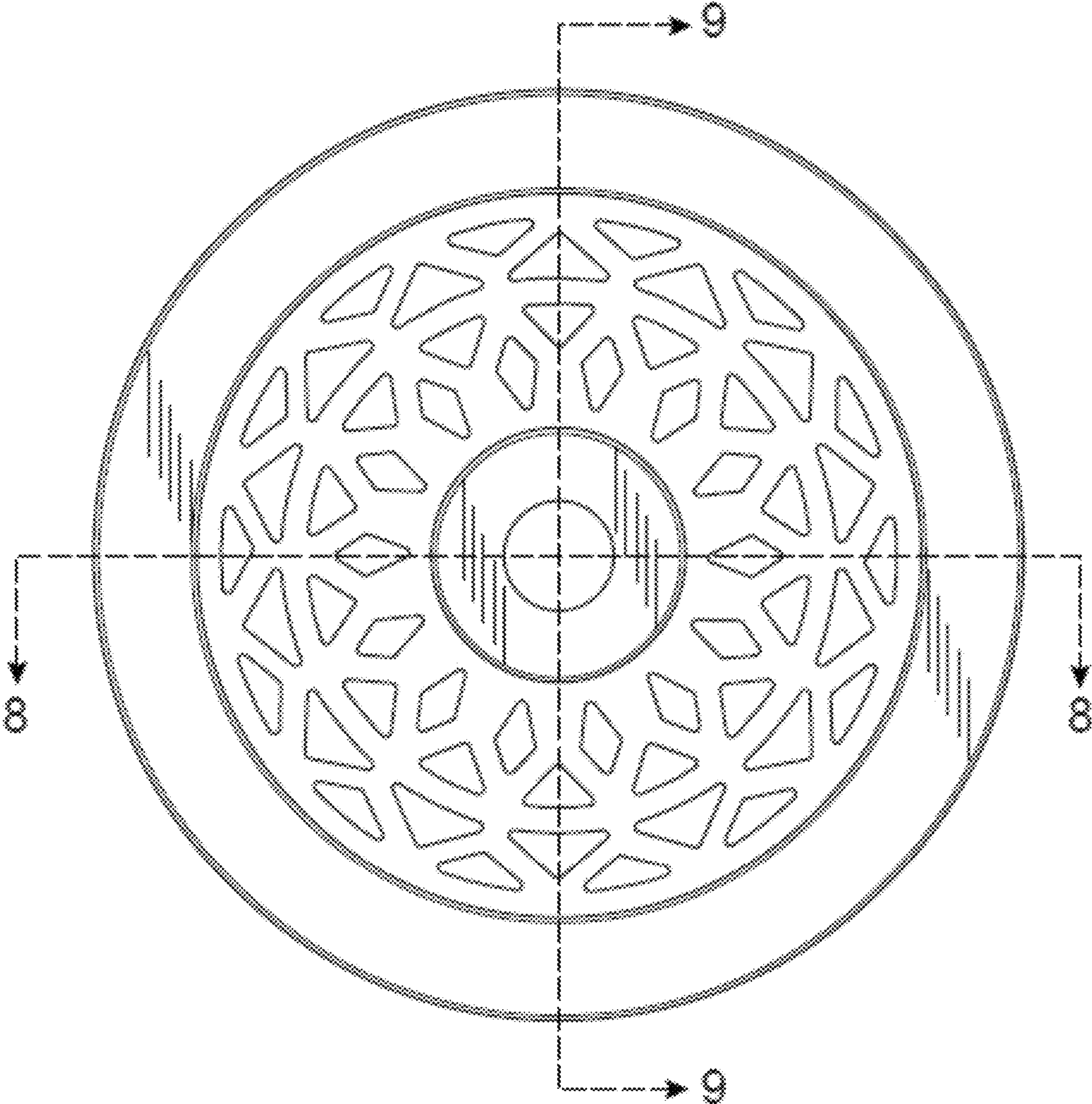


FIG. 2

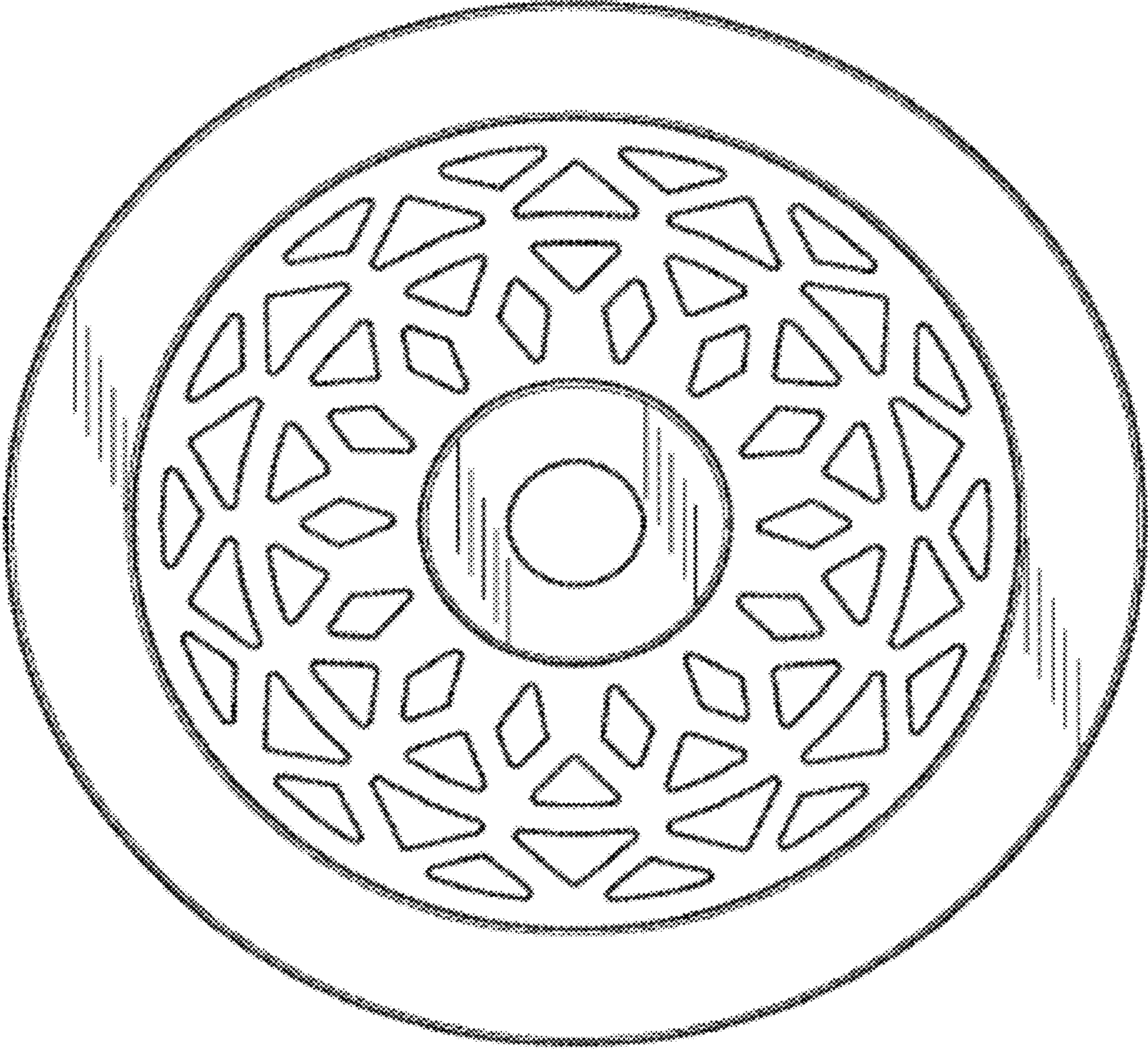


FIG. 3



FIG. 4



FIG. 5



FIG. 6



FIG. 7

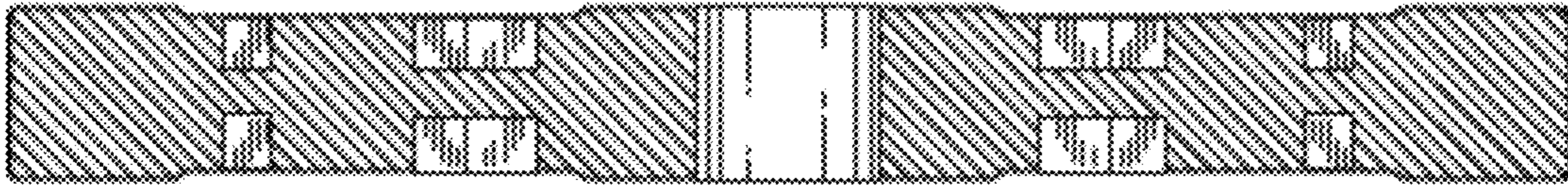


FIG. 8

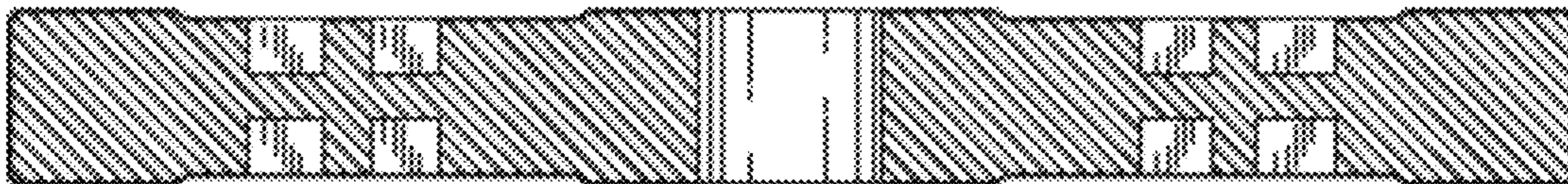


FIG. 9