



US00D964486S

(12) **United States Design Patent** (10) **Patent No.:** **US D964,486 S**
Wang (45) **Date of Patent:** **** Sep. 20, 2022**

(54) **MAGNETIC FOLDING BIKE**

(71) Applicant: **Yunjia Wang**, Shanghai (CN)

(72) Inventor: **Yunjia Wang**, Shanghai (CN)

(73) Assignee: **Yunjia Wang**, Shanghai (CN)

(**) Term: **15 Years**

(21) Appl. No.: **29/737,511**

(22) Filed: **Jun. 9, 2020**

(51) **LOC (13) Cl.** **21-02**

(52) **U.S. Cl.**
USPC **D21/663**

(58) **Field of Classification Search**
USPC D21/432, 682, 694, 696, 697, 663, 664,
D21/666, 667, 419, 662, 685
See application file for complete search history.

(56) **References Cited**

U.S. PATENT DOCUMENTS

9,750,343	B2 *	9/2017	McBride	A63B 22/0605
10,052,516	B1 *	8/2018	Lin	A63B 23/1209
D863,465	S *	10/2019	Lentine	D21/663
10,953,274	B2 *	3/2021	Hsu	A63B 22/0605
2016/0346595	A1 *	12/2016	Dalebout	A63B 22/0012
2017/0259111	A1 *	9/2017	Hsieh	A63B 22/0605

FOREIGN PATENT DOCUMENTS

CN 201830286934 * 5/2018

OTHER PUBLICATIONS

Ativafit, announced 2019[online], [site visited Mar. 9, 2022]. Available on the internet, URL:https://www.amazon.com/ATIVAFIT-

Stationary-Exercise-Adjustable-Resistance/dp/B07L9TTXG4/ref(Year: 2019).*

Leikefitness, announced 2019[online], [site visited Mar. 9, 2022]. Available on the internet, URL:https://www.amazon.com/leikefitness-Ultra-Quiet-Exercise-Magnetic-Assemble/dp/B07WG1ZP75/re (Year: 2019).*

Techmoo, announced 2019[online], [site visited Mar. 9, 2022]. Available on the internet, URL:https://www.amazon.com/TECHMOO-Magnetic-Stationary-Exercise-Recumbent/dp/B07XCPKKZM/ref(Year: 2019).*

* cited by examiner

Primary Examiner — Khawaja Anwar

Assistant Examiner — Julice Seung Eun Oum

(74) *Attorney, Agent, or Firm* — Nitin Kaushik

(57) **CLAIM**

The ornamental design for a magnetic folding bike, as shown and described.

DESCRIPTION

FIG. 1 is a perspective view of a magnetic folding bike showing my new design;

FIG. 2 is a front elevational view thereof;

FIG. 3 is a rear elevational view thereof;

FIG. 4 is a left side elevational view thereof;

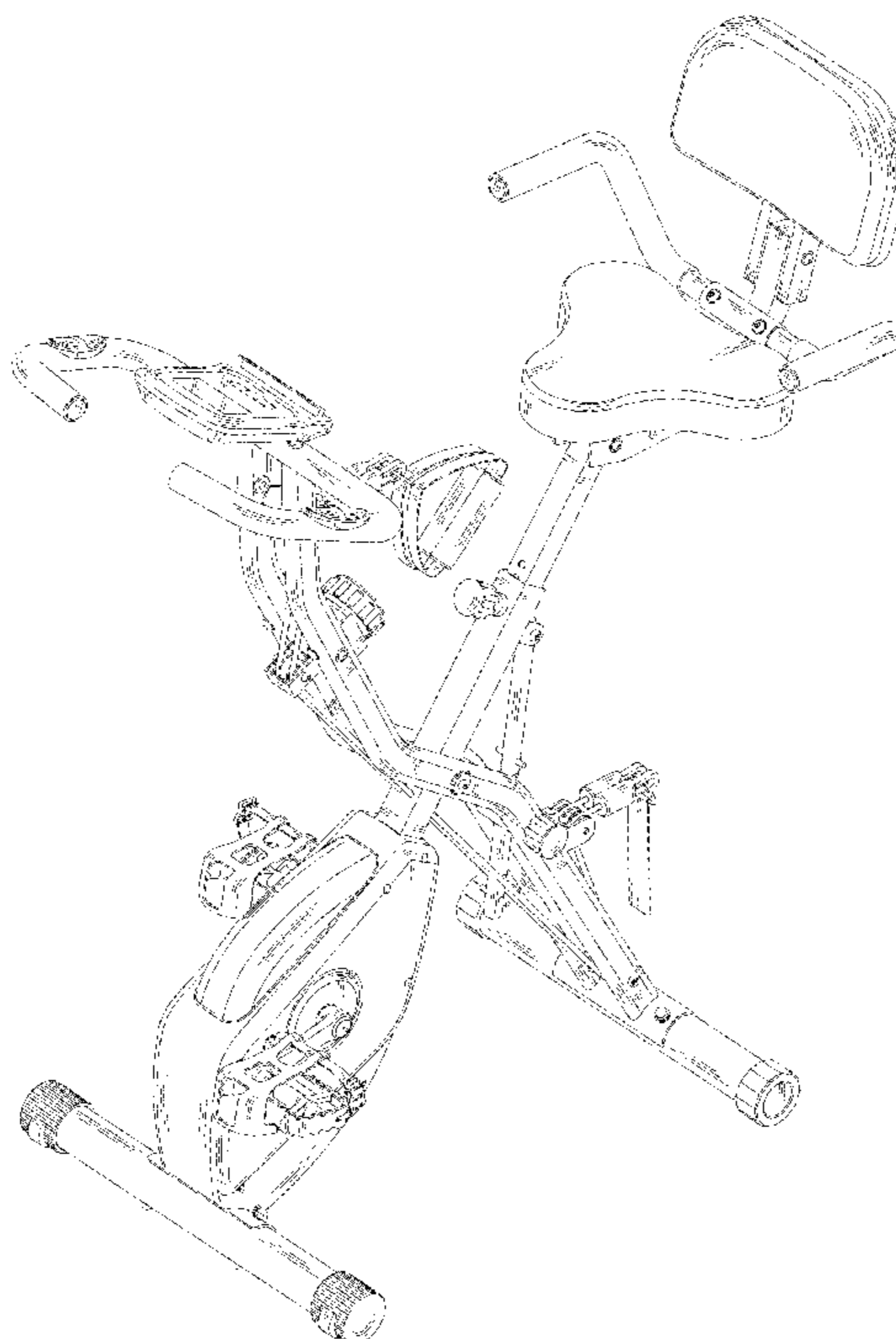
FIG. 5 is a right side elevational view thereof;

FIG. 6 is a top plan view thereof; and,

FIG. 7 is a bottom plan view thereof.

The broken lines illustrate portions of the magnetic folding bike that form no part of the claimed design.

1 Claim, 7 Drawing Sheets



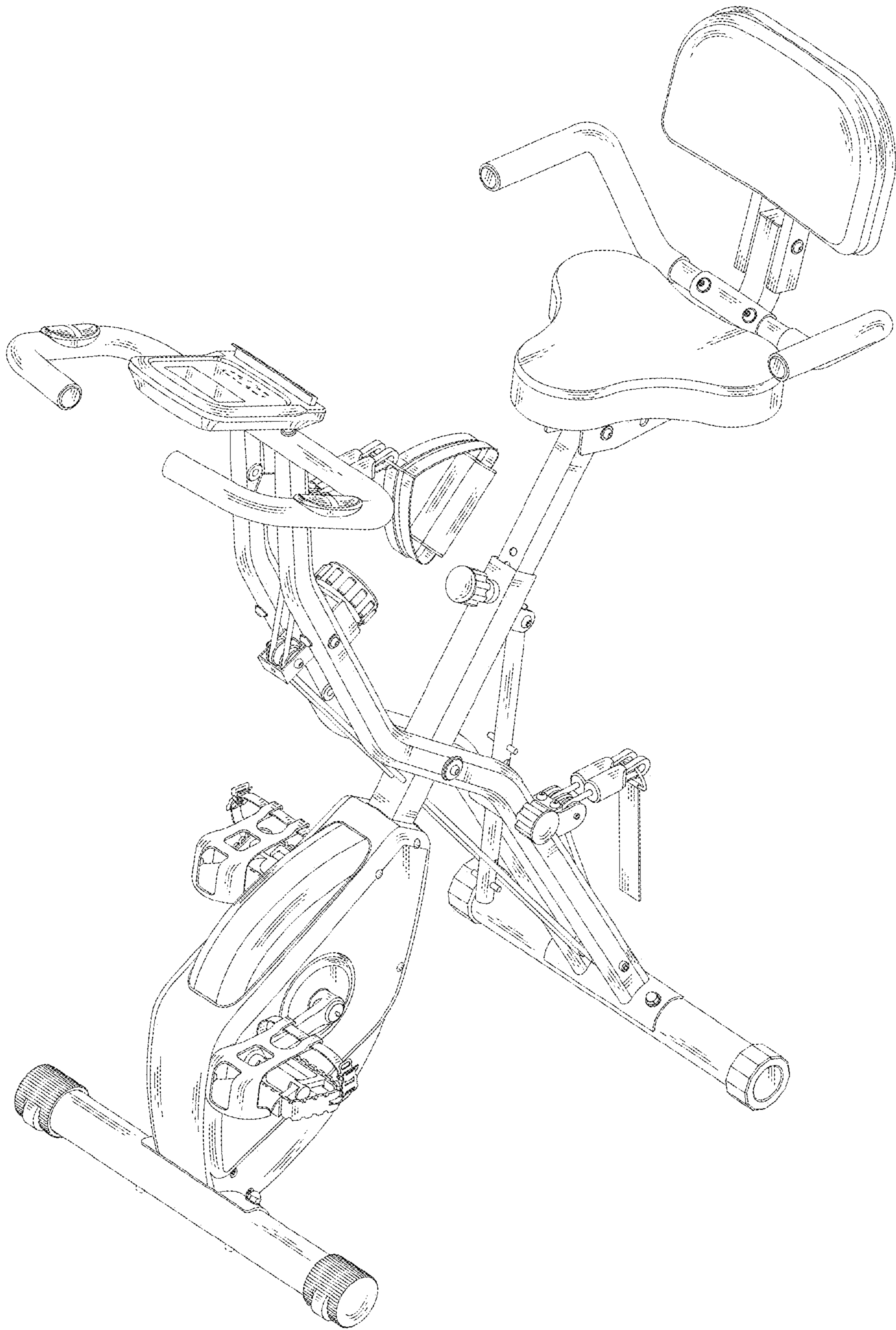


FIG. 1

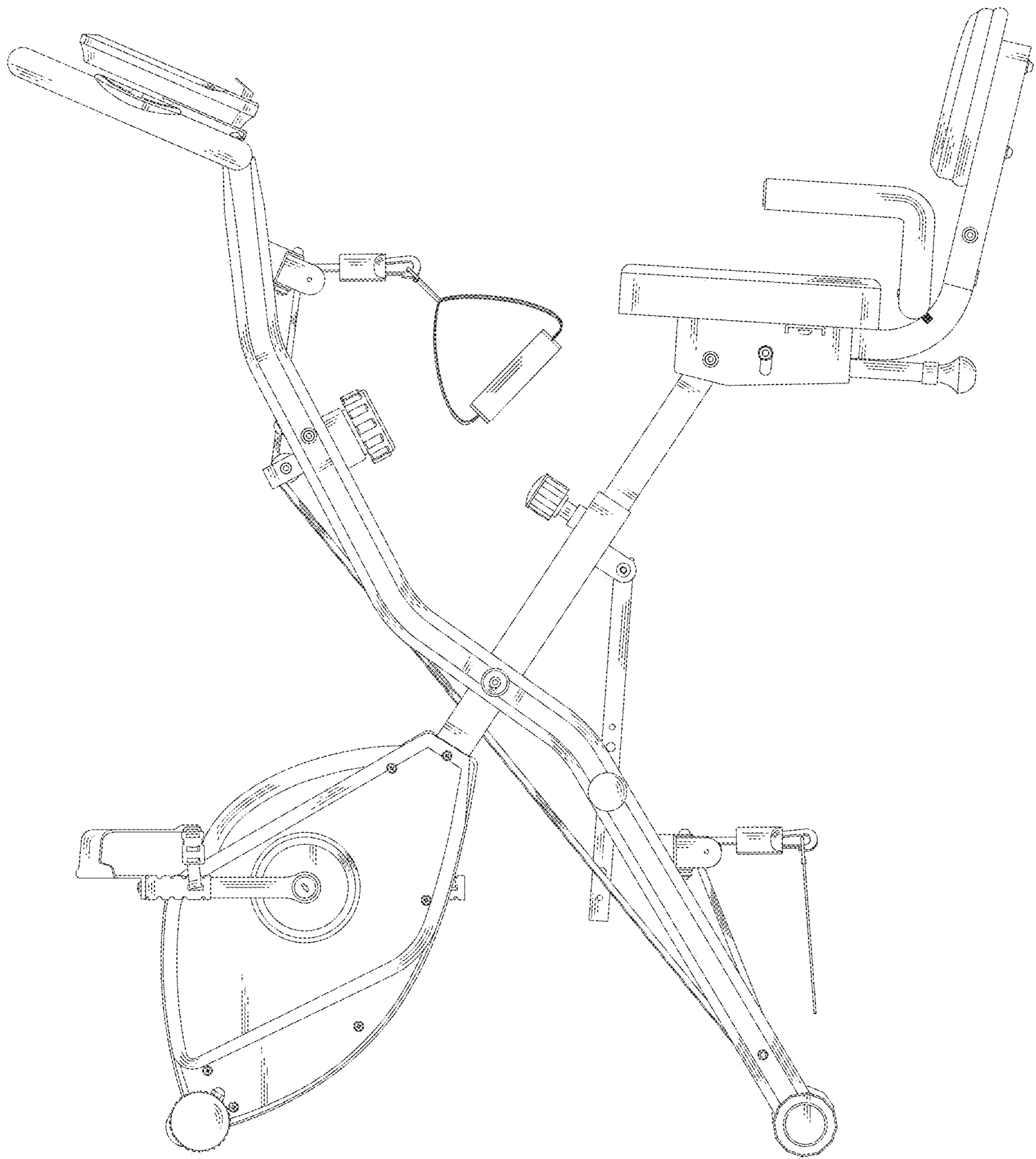


FIG. 2

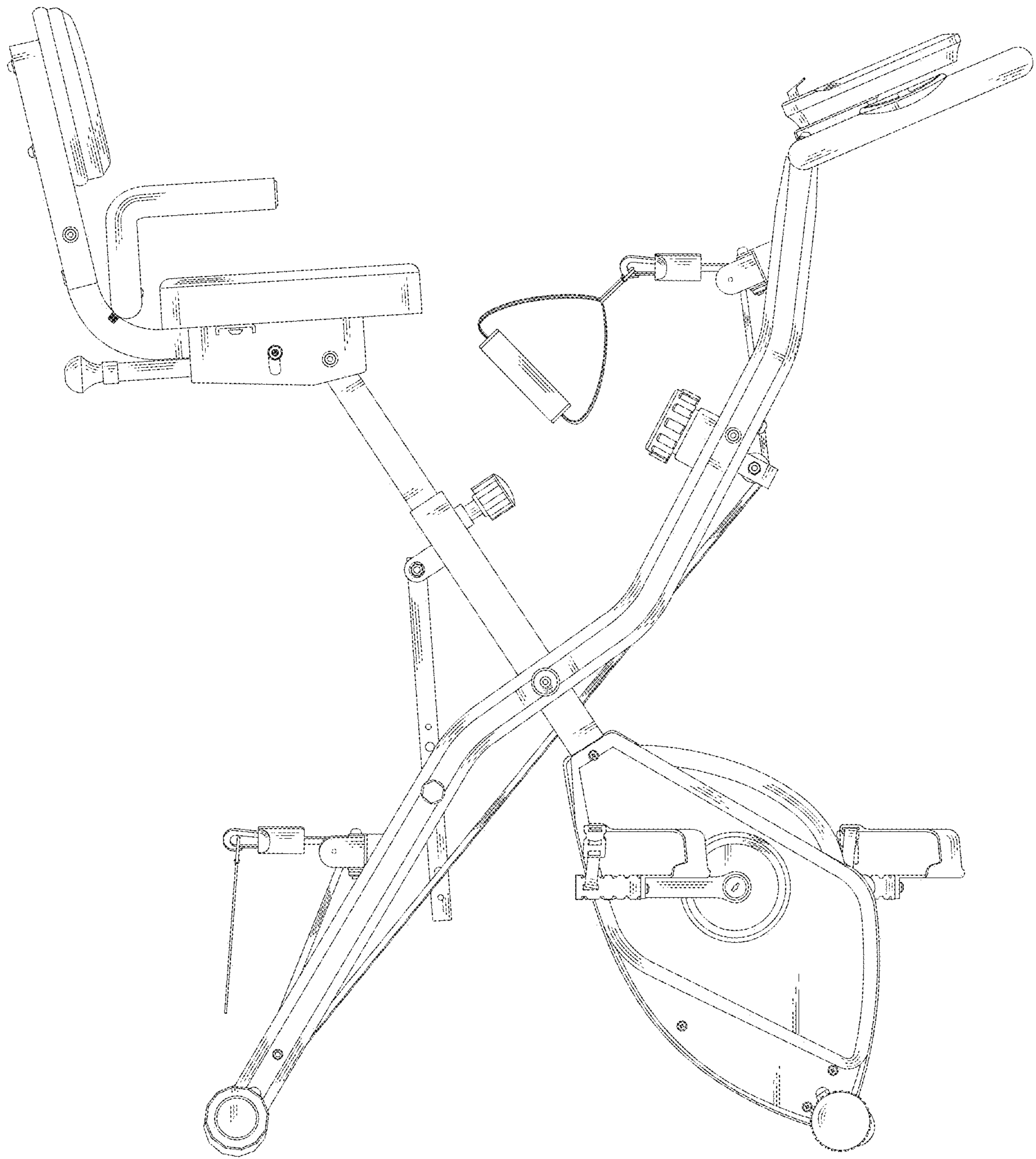


FIG. 3

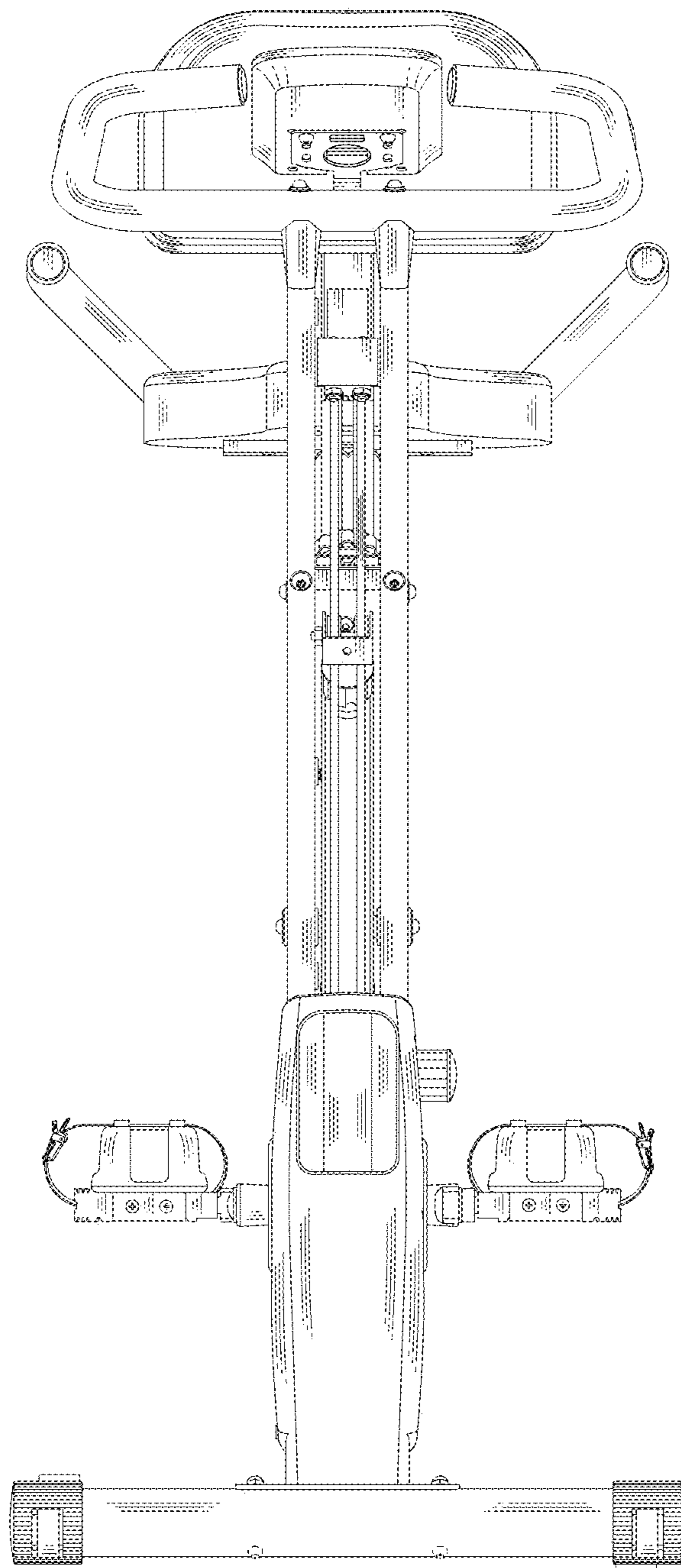


FIG. 4

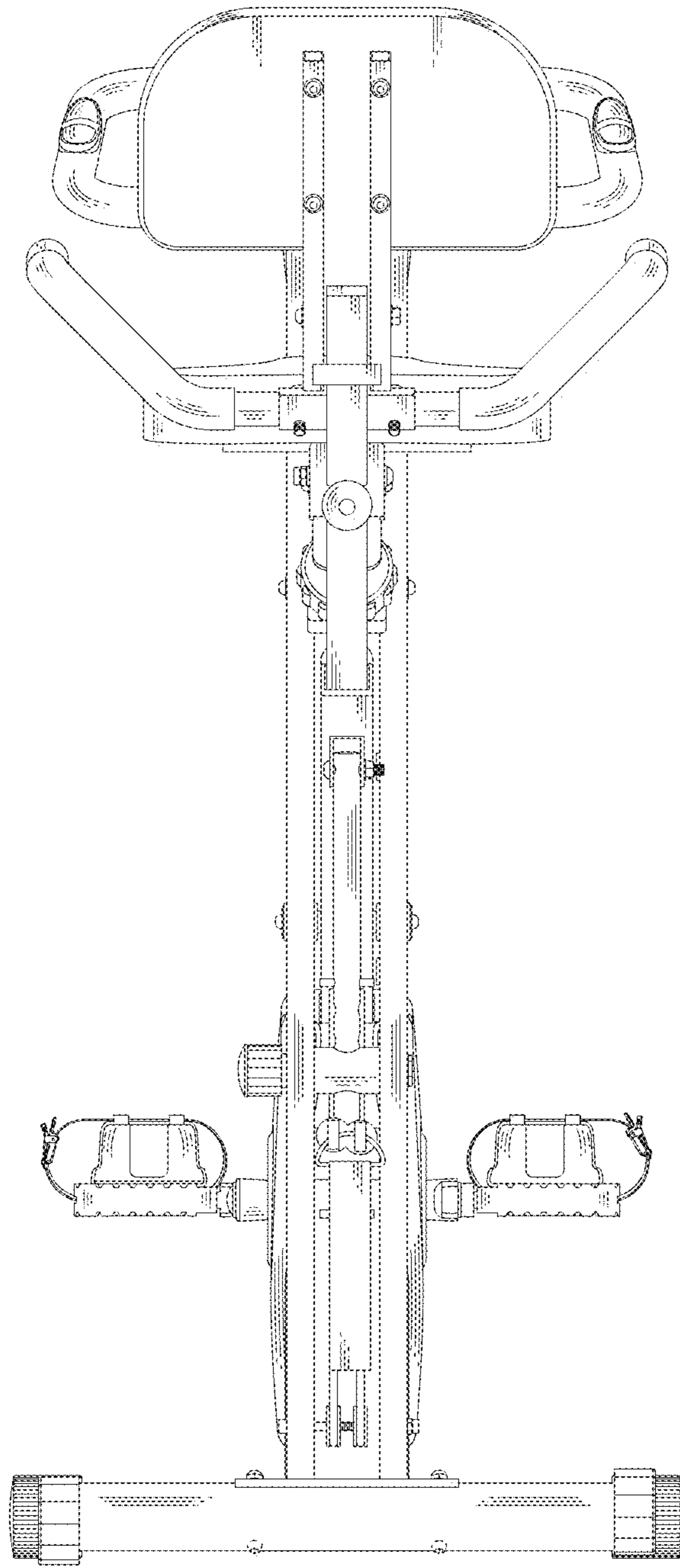


FIG. 5

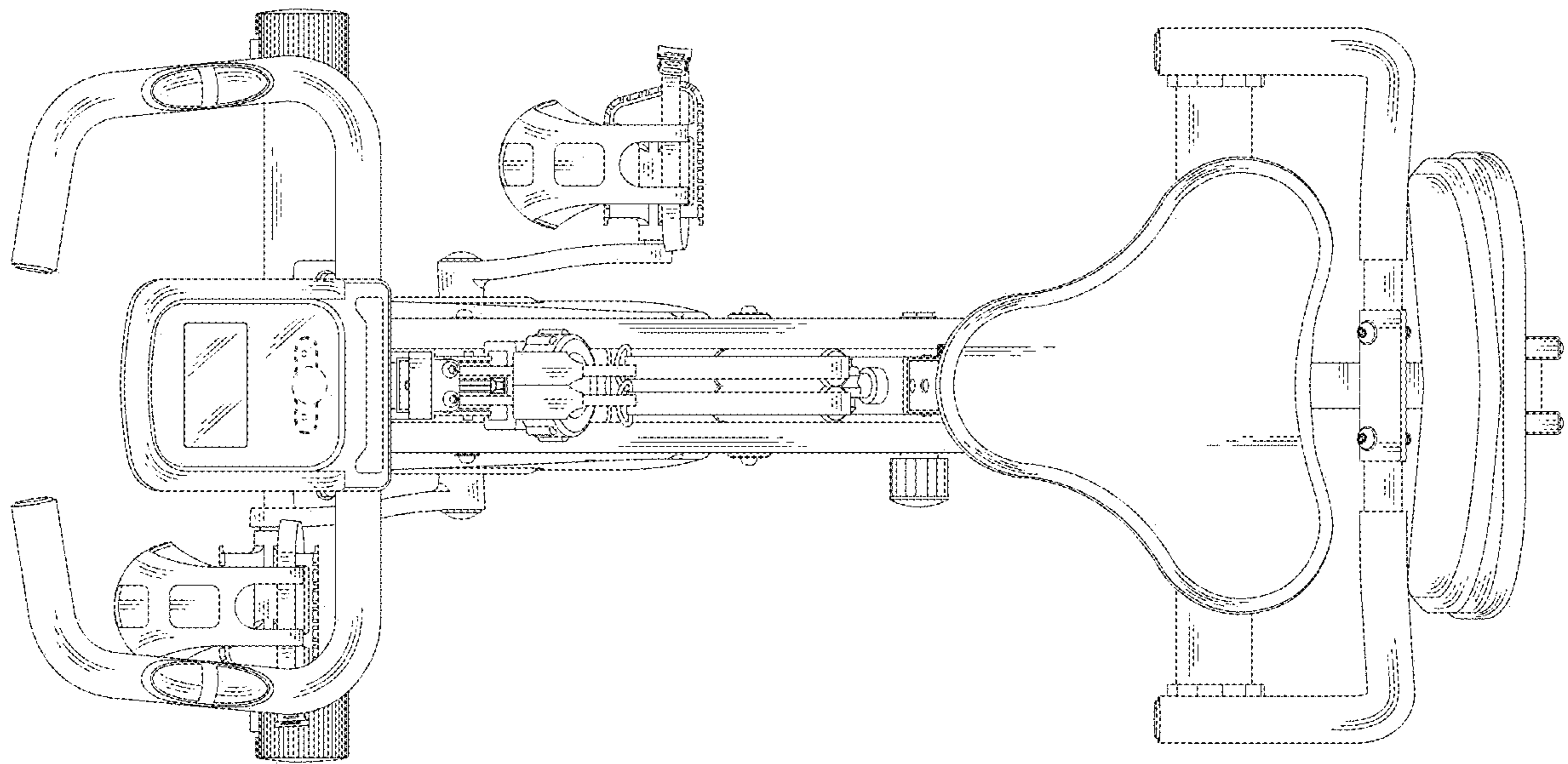


FIG. 6

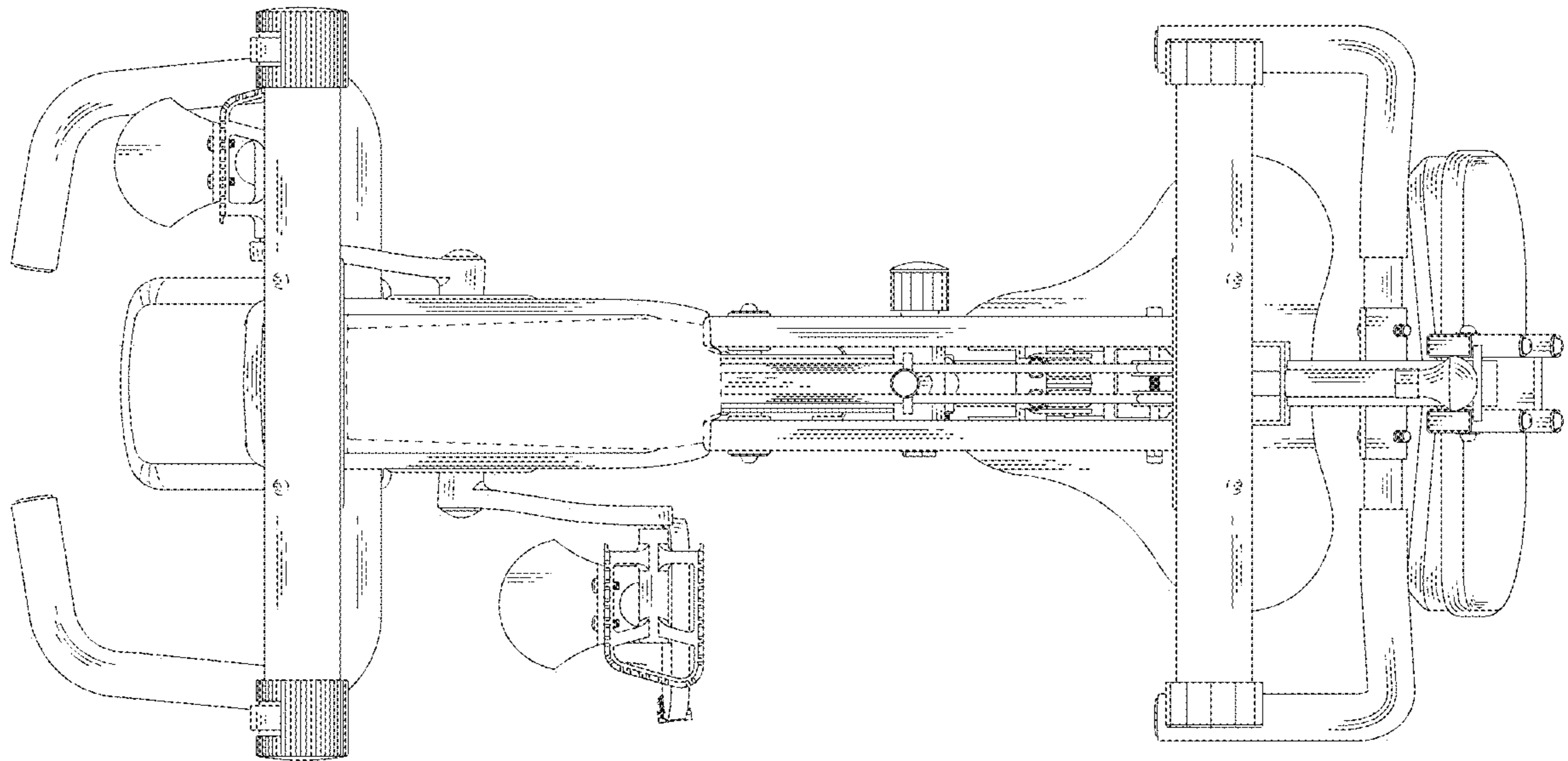


FIG. 7