

US00D964483S

(12) **United States Design Patent** (10) **Patent No.:** **US D964,483 S**  
**Xu** (45) **Date of Patent:** **\*\* Sep. 20, 2022**

(54) **TOY GUN**  
(71) Applicant: **Shaofang Xu**, Shantou (CN)  
(72) Inventor: **Shaofang Xu**, Shantou (CN)  
(\*\*) Term: **15 Years**  
(21) Appl. No.: **29/784,763**  
(22) Filed: **May 21, 2021**  
(51) **LOC (13) Cl.** ..... **21-01**  
(52) **U.S. Cl.**  
USPC ..... **D21/573**  
(58) **Field of Classification Search**  
USPC ..... D21/333, 570, 572-575; D14/418;  
D22/100, 103  
CPC .... F41B 7/00; F41B 7/003; F41B 7/08; F41B  
9/00; F41B 9/0078; F41B 9/0081; F41B  
11/89; A63H 5/04  
See application file for complete search history.

(56) **References Cited**

**U.S. PATENT DOCUMENTS**

5,377,655 A \* 1/1995 Arad ..... F41B 11/55  
124/66  
D396,068 S \* 7/1998 Chikui ..... D21/385  
D646,281 S \* 10/2011 Markowitz ..... D21/333  
D693,347 S \* 11/2013 Augustin, Jr. .... D14/418  
D693,811 S \* 11/2013 Augustin, Jr. .... D14/418  
D786,986 S \* 5/2017 Su ..... D21/570  
D832,370 S \* 10/2018 Chen ..... D21/573  
D832,939 S 11/2018 Chen  
D842,390 S 3/2019 Iwasawa  
D908,816 S 1/2021 Cheng  
D928,901 S \* 8/2021 Ren ..... D21/574  
D947,291 S \* 3/2022 Wu ..... D21/573  
2004/0255921 A1 \* 12/2004 Mitchell ..... F41B 11/641  
124/45

2008/0022990 A1\* 1/2008 Mitchell ..... F41B 11/641  
124/65  
2011/0271940 A1\* 11/2011 Meggs ..... F42B 12/745  
124/56  
2017/0356716 A1\* 12/2017 Mitchell ..... F41B 11/89

**OTHER PUBLICATIONS**

Yeebay Shooting Game Toy, Reviewed and online as early as Oct. 10, 2020 [online], [site visited Dec. 13, 2021], Available from Internet: <URL:https://www.amazon.com/dp/B087FCMPWW/> (Year: 2020).\*

OleFun Shooting Game Toy, Reviewed and online as early as Dec. 18, 2020,[online], [site visited Dec. 13, 2021], Available from Internet: <URL:https://www.amazon.com/dp/B087CWPLYM/> (Year: 2020).\*

\* cited by examiner

*Primary Examiner* — Cynthia M. Chin  
(74) *Attorney, Agent, or Firm* — True Shepherd LLC;  
Andrew C. Cheng

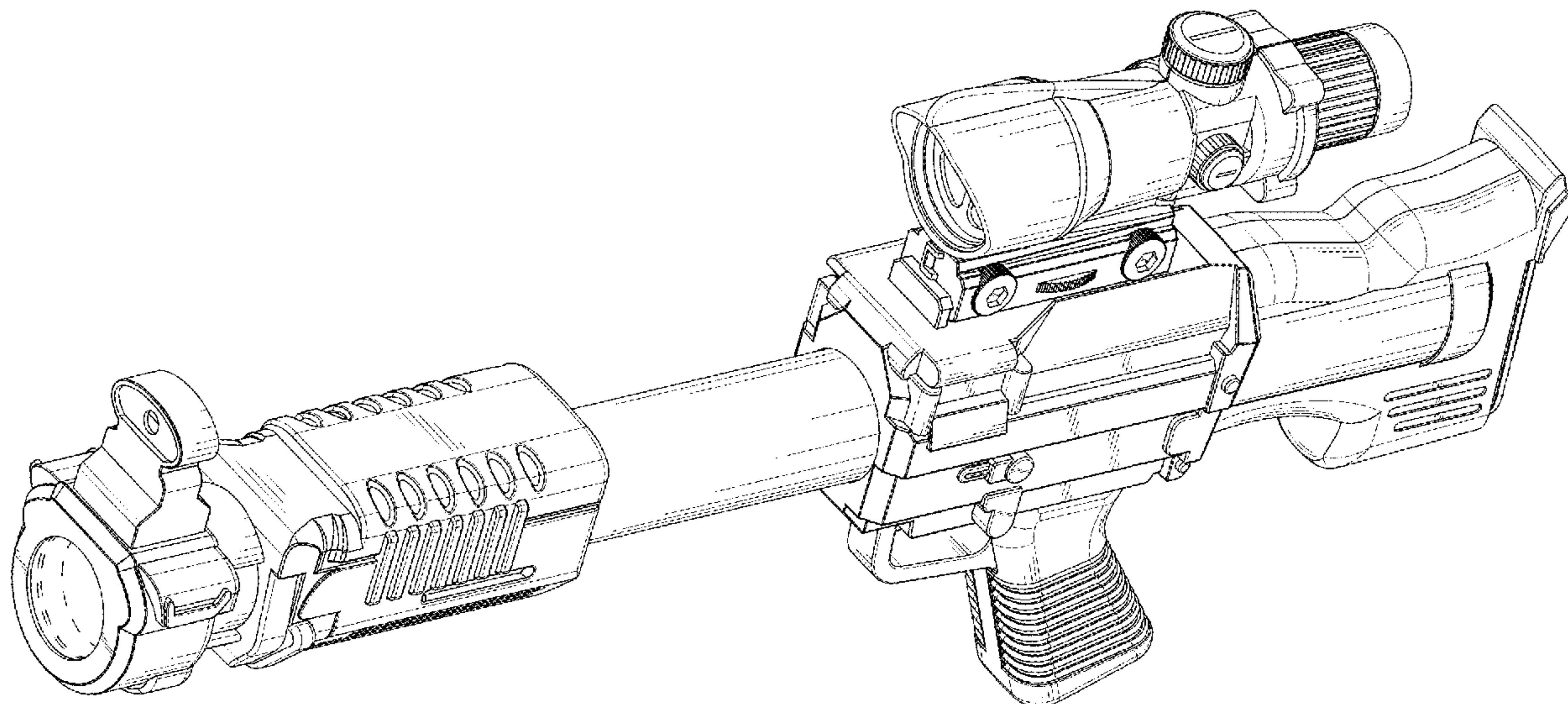
(57) **CLAIM**

The ornamental design for a toy gun, as shown and described.

**DESCRIPTION**

FIG. 1 is a perspective view of a toy gun showing my new design;  
FIG. 2 is a front view thereof;  
FIG. 3 is a rear view thereof;  
FIG. 4 is a left side view thereof;  
FIG. 5 is a right side view thereof;  
FIG. 6 is a top plan view thereof; and,  
FIG. 7 is a bottom plan view thereof.  
The broken lines depict portions of the toy gun and form no part of the claimed design.

**1 Claim, 7 Drawing Sheets**



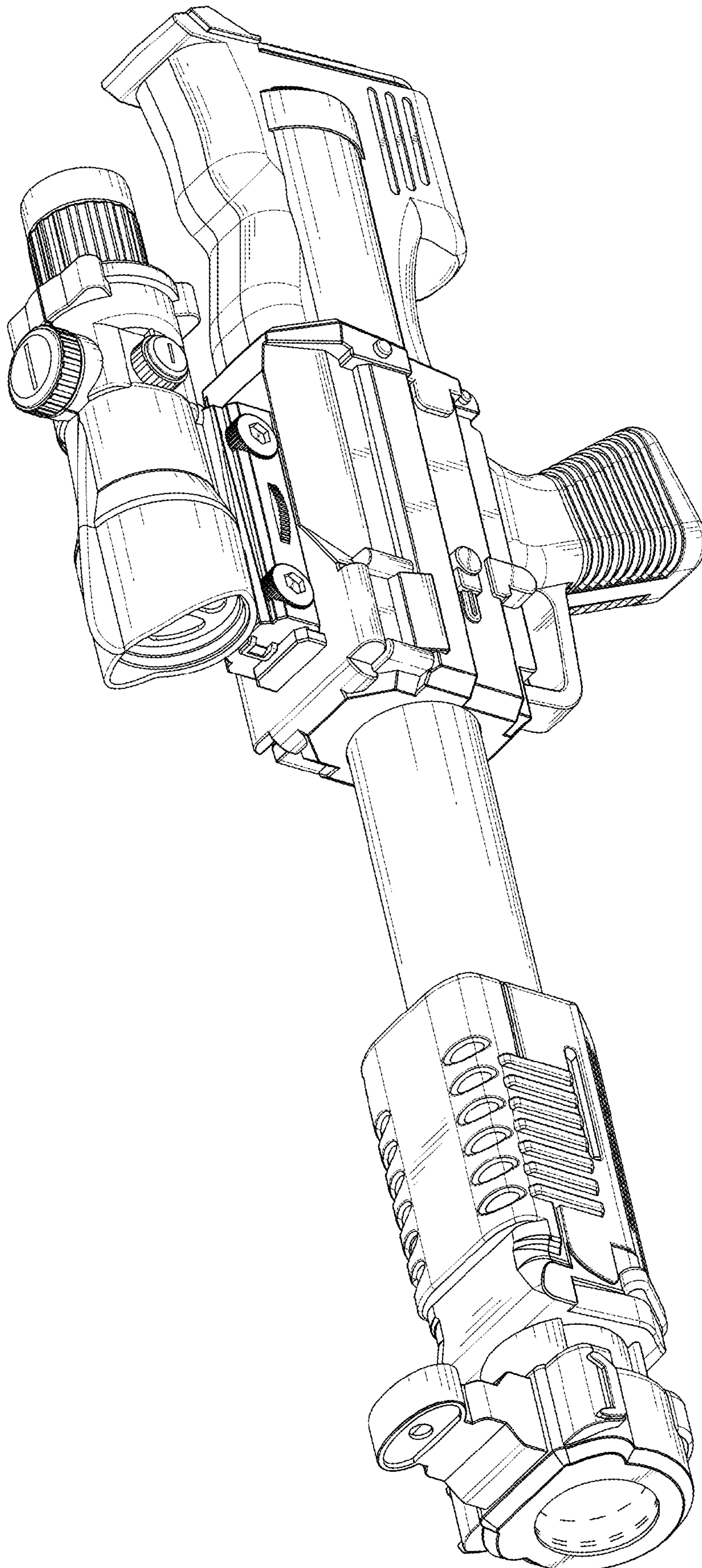


FIG. 1



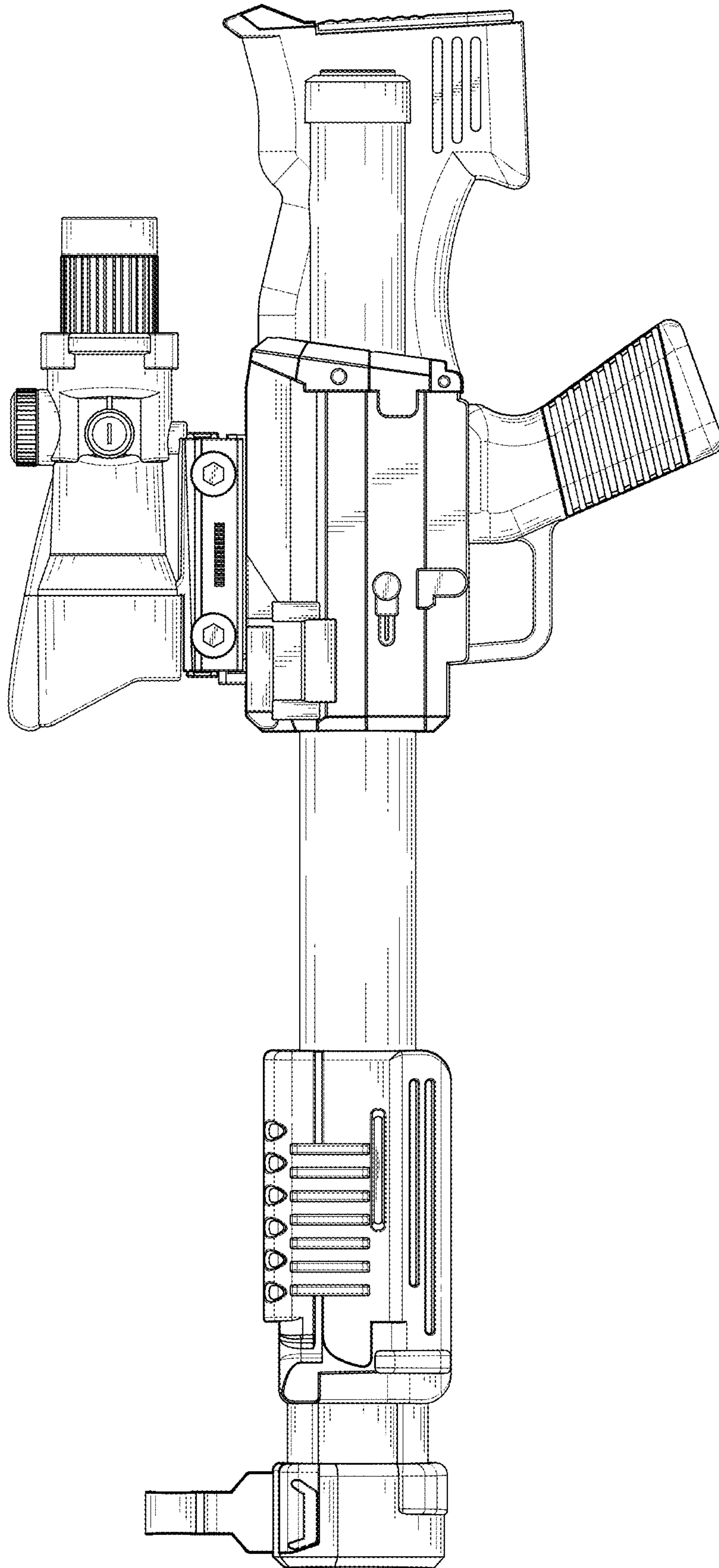


FIG. 2

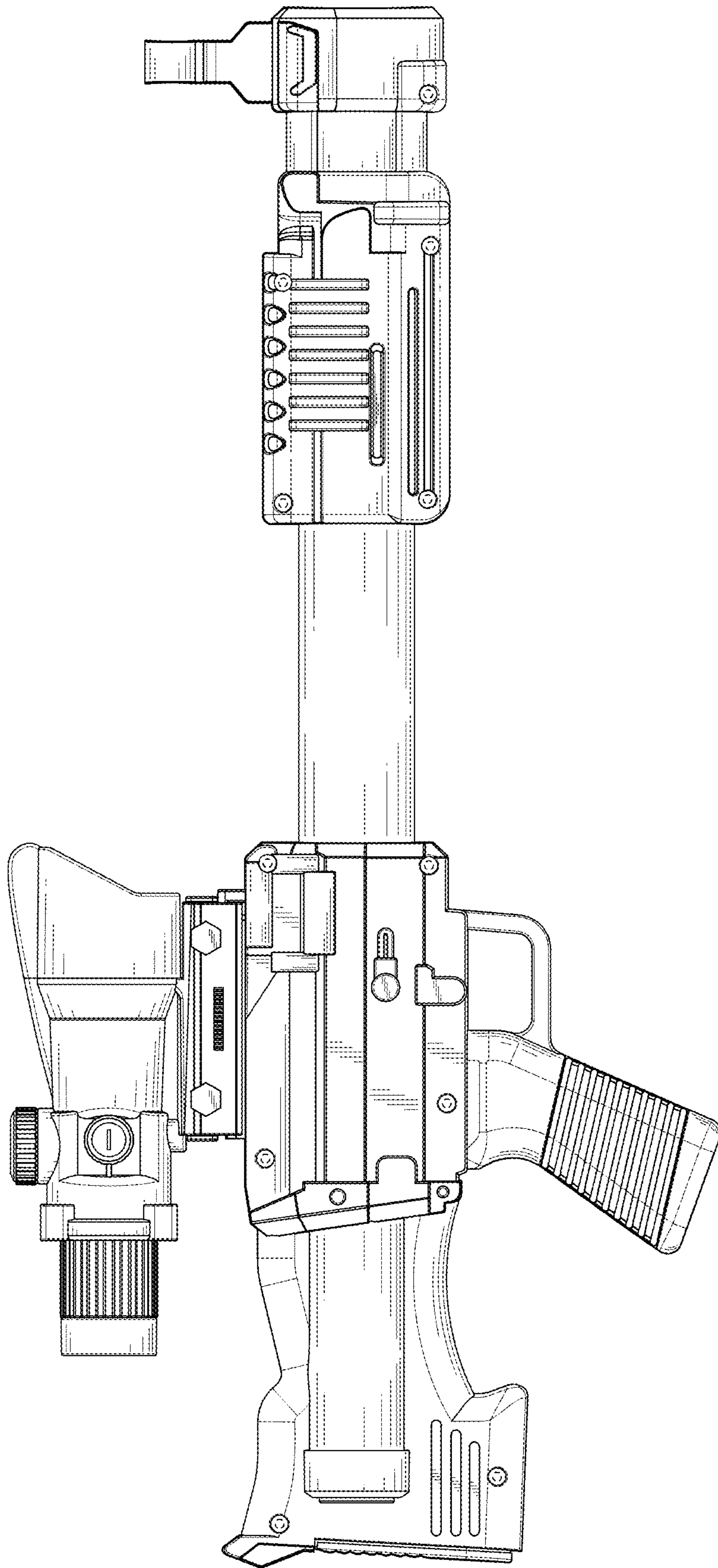


FIG. 3

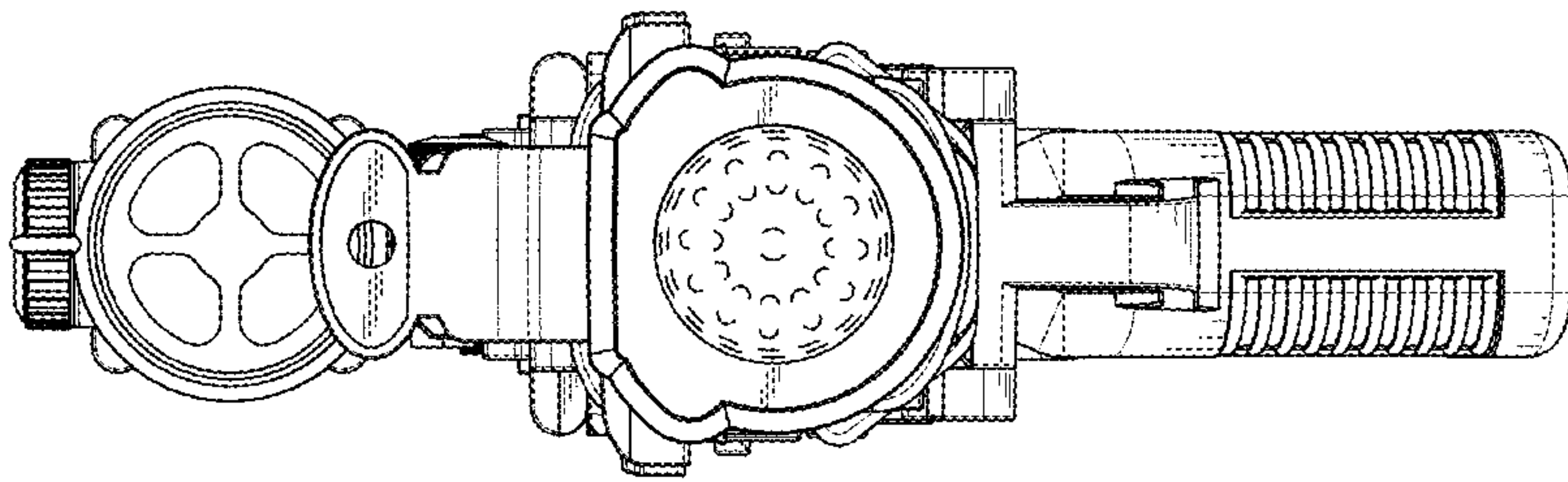


FIG. 4

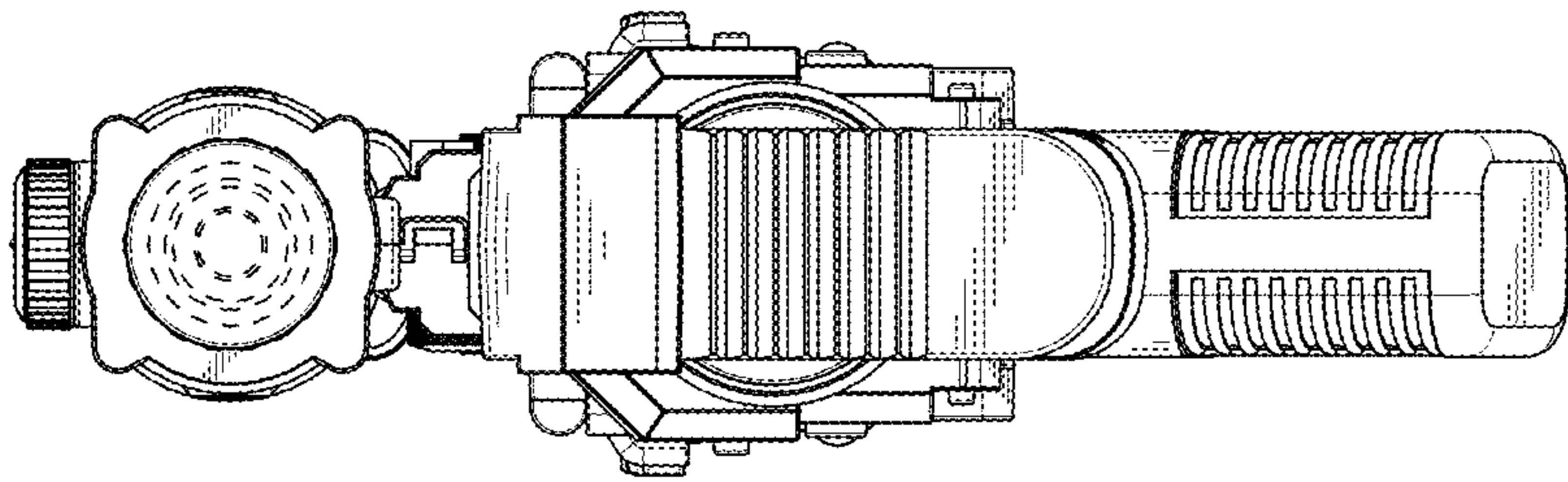


FIG. 5

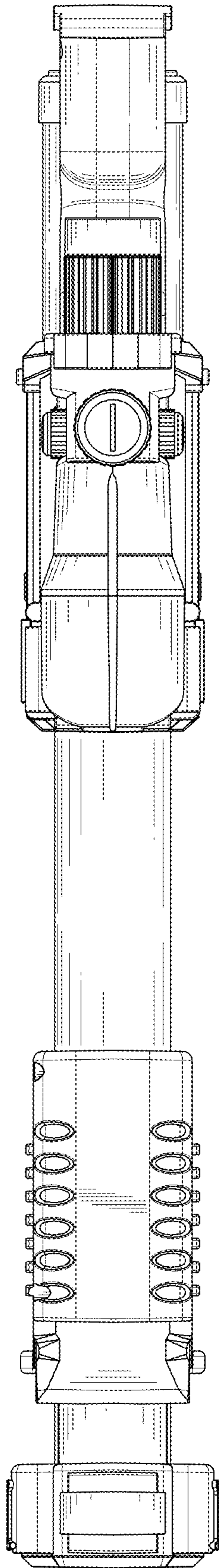


FIG. 6



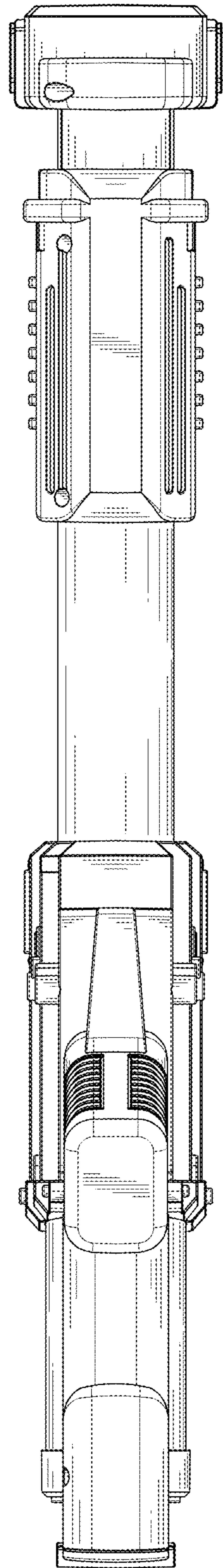


FIG. 7