



US00D964482S

(12) **United States Design Patent** (10) **Patent No.:** **US D964,482 S**
Ewing et al. (45) **Date of Patent:** **** *Sep. 20, 2022**

(54) **MODEL VEHICLE PLATFORM**

(56)

References Cited

(71) Applicant: **TRAXXAS LP**, McKinney, TX (US)

U.S. PATENT DOCUMENTS

(72) Inventors: **Adam Cole Ewing**, McKinney, TX (US); **Jory Sprowl**, Honey Grove, TX (US); **Terry Soward**, Van Alstyne, TX (US); **Jaime Felix Barajas**, Dallas, TX (US); **Casey Christen Jens Christensen**, McKinney, TX (US); **Jonathan Scott Wood**, Frisco, TX (US); **Skylar Hagler**, Anna, TX (US); **Otto Karl Allmendinger**, Rowlett, TX (US); **Kent Poteet**, Lucas, TX (US)

3,829,117 A	8/1974	Park	
D277,494 S	2/1985	Lerch	
D281,000 S	10/1985	Kuna et al.	
D309,930 S	8/1990	Asaeda	
D317,336 S	6/1991	Tsuchiya	
5,102,367 A	4/1992	Mullaney et al.	
D332,978 S	2/1993	Tsuchiya	
D332,979 S	2/1993	Tsuchiya	
5,228,880 A	7/1993	Meyer et al.	
5,267,888 A	12/1993	Hippely et al.	
5,297,982 A	3/1994	Filosea	
D348,911 S	7/1994	Herrick et al.	
5,338,247 A	8/1994	Miles	
D411,263 S	6/1999	Korsholm	
D425,141 S	5/2000	Park	
D493,848 S	8/2004	Dunst	
D503,658 S	4/2005	Lu	
D513,223 S	12/2005	Saito et al.	
D521,899 S	5/2006	Walden	
D523,775 S	6/2006	Walden	
D523,776 S	6/2006	Walden	
D534,593 S	1/2007	Yuen	
D538,861 S	3/2007	Takahashi	
D545,721 S	7/2007	Hacker et al.	
D549,787 S	8/2007	Chen	
D550,311 S	9/2007	Chen	
7,281,600 B2	10/2007	Chernoff et al.	
D556,648 S	12/2007	Nelson et al.	
D564,410 S	3/2008	Lepage	
D566,789 S	4/2008	Idiot	
D567,886 S	* 4/2008	Lampert	D21/562
D570,735 S	* 6/2008	Ogihara	D12/82
D577,083 S	9/2008	Nakayama	
D586,695 S	2/2009	Burns	
D586,696 S	2/2009	Burns	
D593,616 S	6/2009	Asai	
D597,151 S	7/2009	Ishikawa	
D639,207 S	6/2011	Danisi	
D642,090 S	7/2011	Karacabey et al.	
D642,091 S	7/2011	Karacabey et al.	
D642,960 S	8/2011	Berrier	
D647,002 S	10/2011	Mullen	
D651,133 S	12/2011	Liebl	
D655,236 S	3/2012	Sanschagrin	
D655,668 S	3/2012	Levorato et al.	
D681,542 S	5/2013	Oliver	
D691,523 S	10/2013	Waugh et al.	
D758,281 S	6/2016	Galloway	
D761,713 S	7/2016	Hensley	

(73) Assignee: **TRAXXAS LP**, McKinney, TX (US)

(*) Notice: This patent is subject to a terminal disclaimer.

(**) Term: **15 Years**

(21) Appl. No.: **29/688,166**

(22) Filed: **Apr. 18, 2019**

(51) **LOC (13) Cl.** **21-01**

(52) **U.S. Cl.**

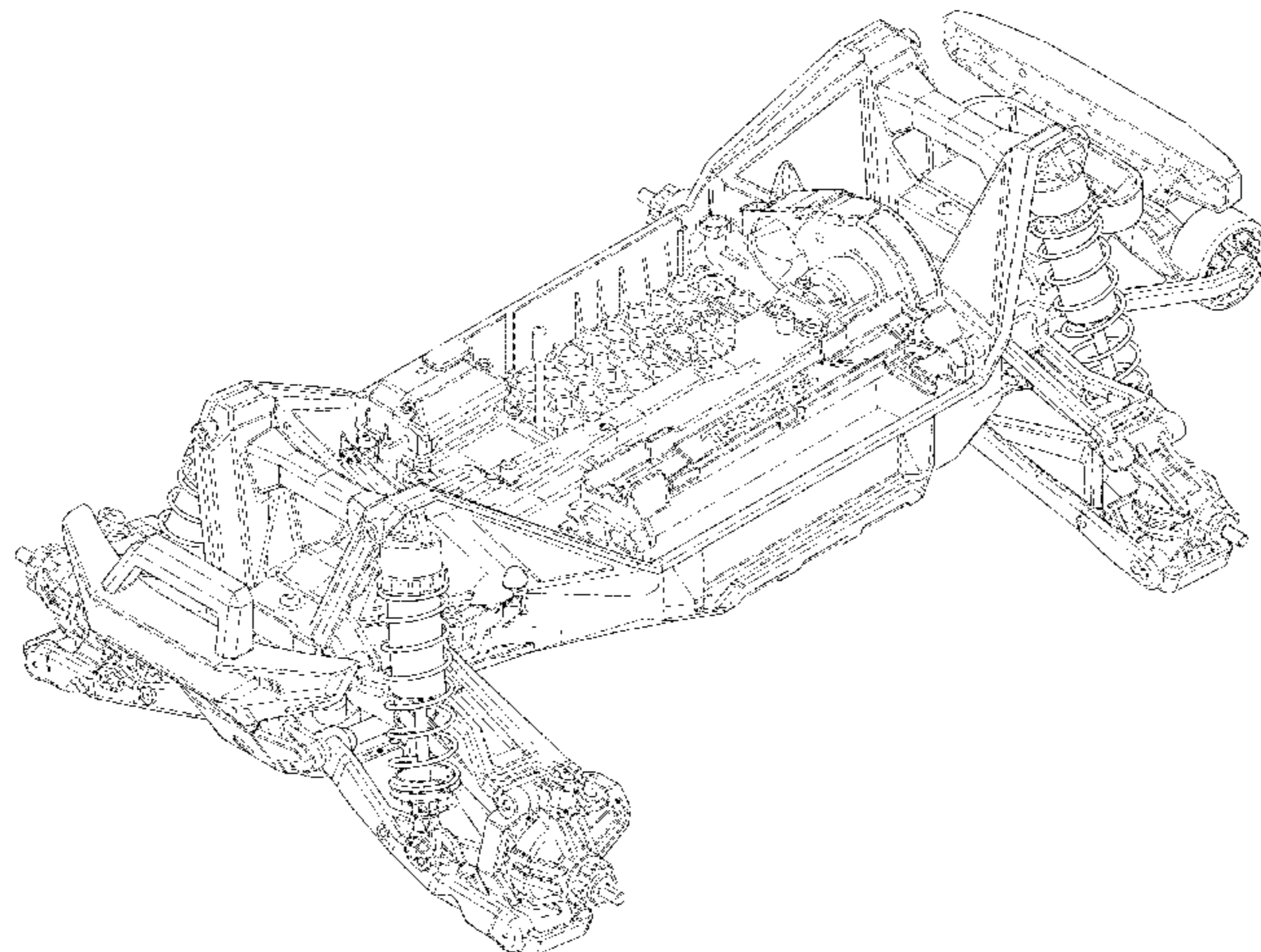
USPC **D21/562**; D21/533; D21/561

(58) **Field of Classification Search**

USPC D12/13-15, 82, 83, 86, 88, 89, 90, 91, D12/93, 94, 95, 97, 98, 99; D21/424, D21/427, 433, 434, 477, 483, 533, 535, D21/548-563, 580, 581; 296/181.1, 296/181.5, 181.3, 183.1, 37.6, 177, 178, 296/180; 446/88, 93, 95, 102, 448

CPC B60R 9/06; B62D 35/00; B60C 2200/20; B62B 5/0033; A63H 17/162; A63H 17/262; A63H 17/264; A63H 17/38; A63H 17/004; A63H 17/26; A63H 17/266; A63H 17/36; A63H 29/00; A63H 29/22; A63H 29/24; A63H 30/04

See application file for complete search history.



D766,157 S	9/2016	Reynolds et al.	
D777,619 S	1/2017	Barajas et al.	
D778,784 S	2/2017	Hirooka	
D781,207 S	3/2017	Johnson	
D783,502 S	4/2017	Hensley	
D783,503 S	4/2017	Hensley	
D783,726 S	4/2017	Williams et al.	
D802,685 S	11/2017	Barajas et al.	
D810,148 S	2/2018	Loew et al.	
D816,009 S	4/2018	Reynolds et al.	
D820,736 S	6/2018	Vaarsi	
D822,126 S *	7/2018	Allmendinger	D21/562
D826,831 S	8/2018	Eck et al.	
D827,054 S *	8/2018	Ewing	D21/561
D828,796 S	9/2018	Allmendinger et al.	
D829,831 S	10/2018	Redlin et al.	
D832,368 S *	10/2018	Barajas	D21/561
D836,501 S	12/2018	Mori	
D839,363 S *	1/2019	Ewing	D21/495
D844,070 S	3/2019	Christensen et al.	
D851,183 S *	6/2019	Wood	D21/562
D856,432 S *	8/2019	Ewing	D21/495
D862,610 S	10/2019	Barajas et al.	
D862,611 S	10/2019	Barajas et al.	
D862,612 S	10/2019	Jory et al.	
D867,474 S *	11/2019	Ewing	D21/561
D870,211 S	12/2019	Wozniak	
D870,824 S	12/2019	Barajas et al.	
D875,647 S	2/2020	Barajas et al.	
D876,555 S	2/2020	Barajas et al.	
D877,055 S	3/2020	Jens Christensen et al.	
D879,212 S	3/2020	Barajas et al.	
D885,302 S	5/2020	Sprowl et al.	
D891,356 S	7/2020	Sprowl et al.	
D896,709 S *	9/2020	Ewing	D12/159
D899,917 S *	10/2020	Sprowl	D8/399
D900,250 S *	10/2020	Ewing	D21/561
D901,288 S *	11/2020	Sprowl	D8/399
D902,089 S *	11/2020	Ewing	D12/159
D902,090 S *	11/2020	Ewing	D12/159
D902,091 S *	11/2020	Ewing	D12/159
D904,244 S *	12/2020	Wood	D12/169
D904,530 S	12/2020	Sprowl et al.	
D904,531 S	12/2020	Barajas et al.	
D904,532 S *	12/2020	Ewing	D21/561
D905,798 S *	12/2020	Ewing	D21/562
D905,799 S *	12/2020	Ewing	D21/562
D908,177 S	1/2021	Sprowl et al.	
2003/0046802 A1 *	3/2003	Chernoff	B60T 1/065 29/428
2008/0070475 A1	3/2008	Hippely	
2010/0078967 A1 *	4/2010	Boettcher	B62D 33/023
2010/0112897 A1	5/2010	Ribbe	
2014/0051327 A1	2/2014	O'Connor et al.	
2016/0038846 A1	2/2016	Colquhoun et al.	
2017/0080350 A1 *	3/2017	Allmendinger	A63H 17/26
2019/0381416 A1 *	12/2019	Christensen	A63H 17/262
2020/0269150 A1 *	8/2020	Allmendinger	A63H 17/26

FOREIGN PATENT DOCUMENTS

CN	3240357	6/2002
CN	3562952	* 9/2006
CN	302322638	2/2013
CN	302781769	4/2014
CN	303455430	11/2015
CN	303934567	* 11/2016
CN	303950722	11/2016
CN	303988879	* 12/2016
EM	000850979-0003	2/2008
EM	005817137-0002	11/2018
WO	D095551-006	4/2017

OTHER PUBLICATIONS

“Traxxas X-Maxx: The Evolution of Tough,” Oct. 30, 2015, youtube.com, site visited Apr. 1, 2021, URL: <https://www.youtube.com/watch?v=s22fCy4SYRA> (Year: 2015).*

“RC vs. Full-Size Monster Truck!! | Traxxas X-Maxx,” Nov. 13, 2017, youtube.com, site visited Apr. 1, 2021, URL: <https://www.youtube.com/watch?v=ur48H0Tv6cg> (Year: 2017).*

“Traxxas,” Feb. 20, 2018, facebook.com, site visited Apr. 1, 2021, URL: <https://www.facebook.com/traxxas/photos/1612706215444066> (Year: 2018).*

“1/10 AMP MT 2WD Monster Truck,” Nov. 25, 2017 (in review), horizonhobby.com, site visited Apr. 1, 2021, URL: <https://www.horizonhobby.com/product/1-10-amp-mt-2wd-monster-truck-brushed-btd-kit-with-unpainted-body/ECX03034.html> (Year: 2017).*

“Everything I’ve Broke in 1 year on my Traxxas X-Maxx V2 8s,” Apr. 25, 2018, youtube.com, site visited Apr. 1, 2021, URL: <https://www.youtube.com/watch?v=G6mswb1SeMk> (Year: 2018).*

Axial SCX10 II 2000 Jeep Cherokee 1/10th Scale Electric 4WD—RTR; <http://www.axialracing.com/products/ax90047>; Aug. 2016.

Axial SCX10 Deadbolt 1/10th Scale Electric 4WD—RTR; <http://www.axialracing.com/products/ax90044>; Aug. 2016.

Tibus Off-Road Engineering; Land Rover Defender; <http://www.tibus-offroad.com/en/products/bolt-on-portals/land-rover/>; Aug. 2016.

HPI Racing; HPI Venture FJ Cruiser; <http://www.hpiracing.com/en/article/view/2016012702>; Aug. 2016.

Traxxas; Slash 4x4 Overview; Oct. 2009.

“Extreme Power | Traxxas 8s X-Maxx,” Feb. 13, 2017, youtube.com, site visited Mar. 16, 2021, URL: <https://www.youtube.com/watch?v=Jta/148SopQ> (Year: 2017).

“Horizon Hobby,” Nov. 24, 2018, facebook.com, site visited Mar. 16, 2021, URL: <https://www.facebook.com/HorizonHobby/photos/10156482477308935> (Year: 2018).

“VCANNY Remote Control Car,” Dec. 1, 2018, amazon.com, site visited Mar. 16, 2021, URL: https://www.amazon.com/VCANNY-Control-Terrain-Electric-Monster/dp/B07H4KCP6M/ref=sr_1_16?dchild=1&keywords=rc+trucks&qid=1615896440&sr=8-16 (Year: 2018).

“Traxxas,” Apr. 3, 2019, facebook.com, site visited Mar. 15, 2021, URL: <https://www.facebook.com/traxxas/photos/2161570843890931> (Year: 2019).

“Traxxas,” Jan. 23, 2019, facebook.com, site visited Mar. 15, 2021, URL: <https://www.facebook.com/traxxas/photos/2055081154539901> (Year: 2019).

“Monster Truck Racing League,” Feb. 14, 2019, facebook.com, site visited Mar. 16, 2021, URL: <https://www.facebook.com/monstertruckracingleague/photos/2432219630122631> (Year: 2019).

“T-Maxx 3.3: Pure Nitro Power | Traxxas,” Aug. 20, 2018, youtube.com, site visited Apr. 1, 2021, URL: <https://www.youtube.com/watch?v=YLf3m92MoQ4> (Year: 2018).

“Hot Wheels Monster Trucks Hot Wheels Racing Vehicle,” Aug. 29, 2018, amazon.com/au, site visited Apr. 5, 2021, URL: https://www.amazon.com.au/Hot-Wheels-Monster-Truck-Multi/dp/B07GB64B5B/ref=sr_1_94?dchild=1&keywords=toy+dump+truck&qid=1617620649&sr=8-94 (Year: 2018).

Tamiya 58647 1:10 RC M-07 Con. WB225/239 Remote Control Car Vehicle Model, Sep. 15, 2017, Amazon.co.uk, Sep. 22, 2021, URL: <https://www.amazon.co.uk/Tamiya-M-07-Concept-Chassis-58647/dp/B06ZY297CC> (Year: 2017).

Tamiya 57986" 1:10 RC TT-02 Chassis First Try On-Road Vehicle, Aug. 19, 2016, Amazon.co.uk, Sep. 22, 2021, URL: <https://www.amazon.co.uk/Tamiya-57986-10-RC-Chassis-First/dp/B01JLF7GB0> (Year: 2016).

NEWRICE Remote Control Car Building Blocks Kit, 1:12 Scale MOC Off-Road Vehicle, May 25, 2021, Amazon.co.uk, Sep. 22, 2021, URL: <https://www.amazon.co.uk/NEWRICE-Remote-Control-Building-Blocks/dp/B0912YKHM4> (Year: 2021).

* cited by examiner

Primary Examiner — Eric L Goodman
Assistant Examiner — Sarah L Smith

(74) *Attorney, Agent, or Firm* — Daryl R. Wright; Greg Carr

(57) **CLAIM**

We claim the ornamental design for a model vehicle platform, as shown and described.

DESCRIPTION

FIG. 1 is an upper, left, front perspective view of a model vehicle platform;

FIG. 2 is front elevation view thereof;

FIG. 3 is a rear elevation view thereof;

FIG. 4 is a left side elevation view thereof;

FIG. 5 is a right side elevation view thereof;

FIG. 6 is a top plan view thereof;

FIG. 7 is a bottom plan view thereof; and,

FIG. 8 is a lower, right, rear perspective view thereof.

In the drawings, the broken line showing of features of a model vehicle platform illustrate portions of the model vehicle platform that form no part of the claimed design.

1 Claim, 7 Drawing Sheets

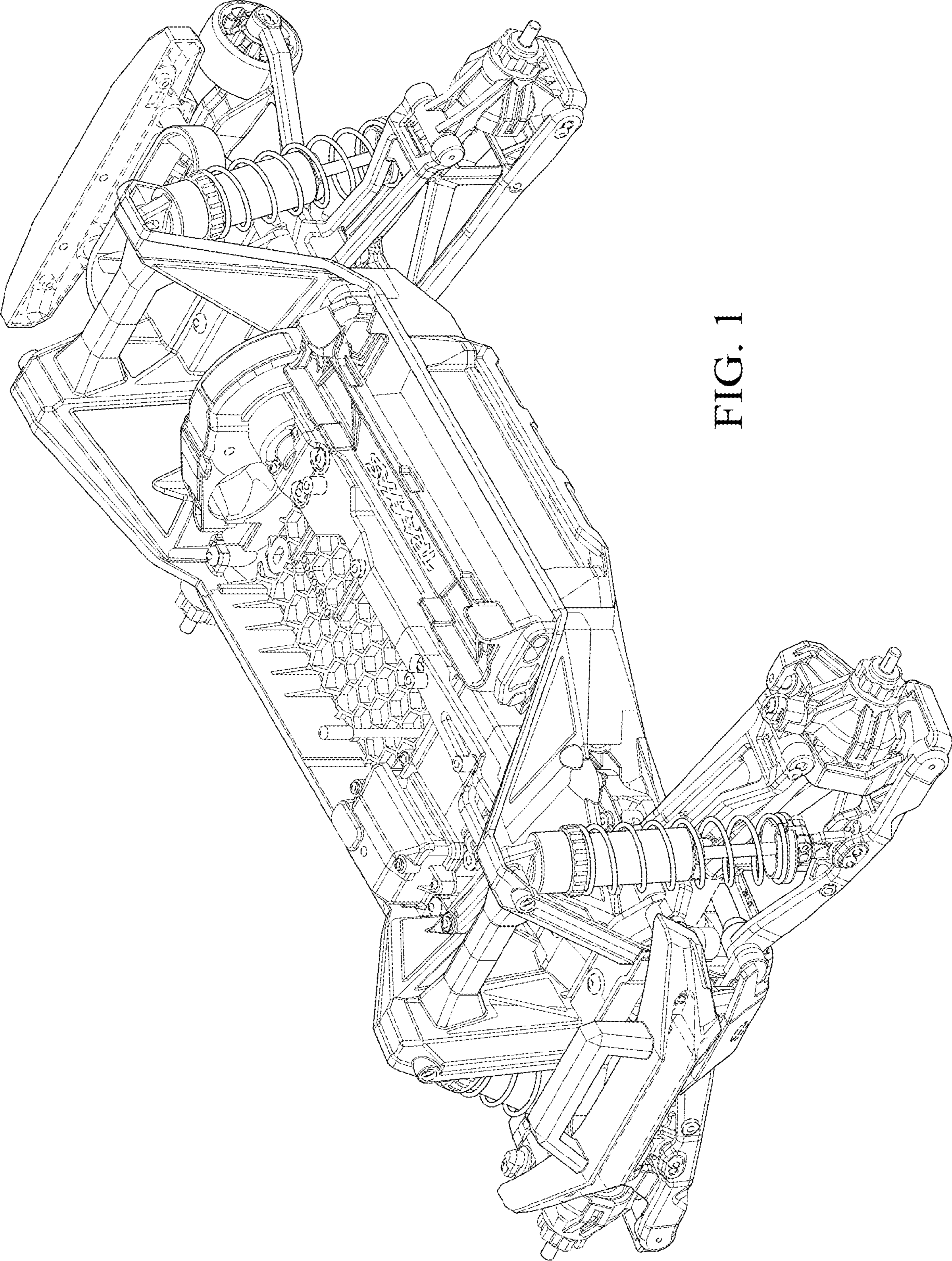


FIG. 1

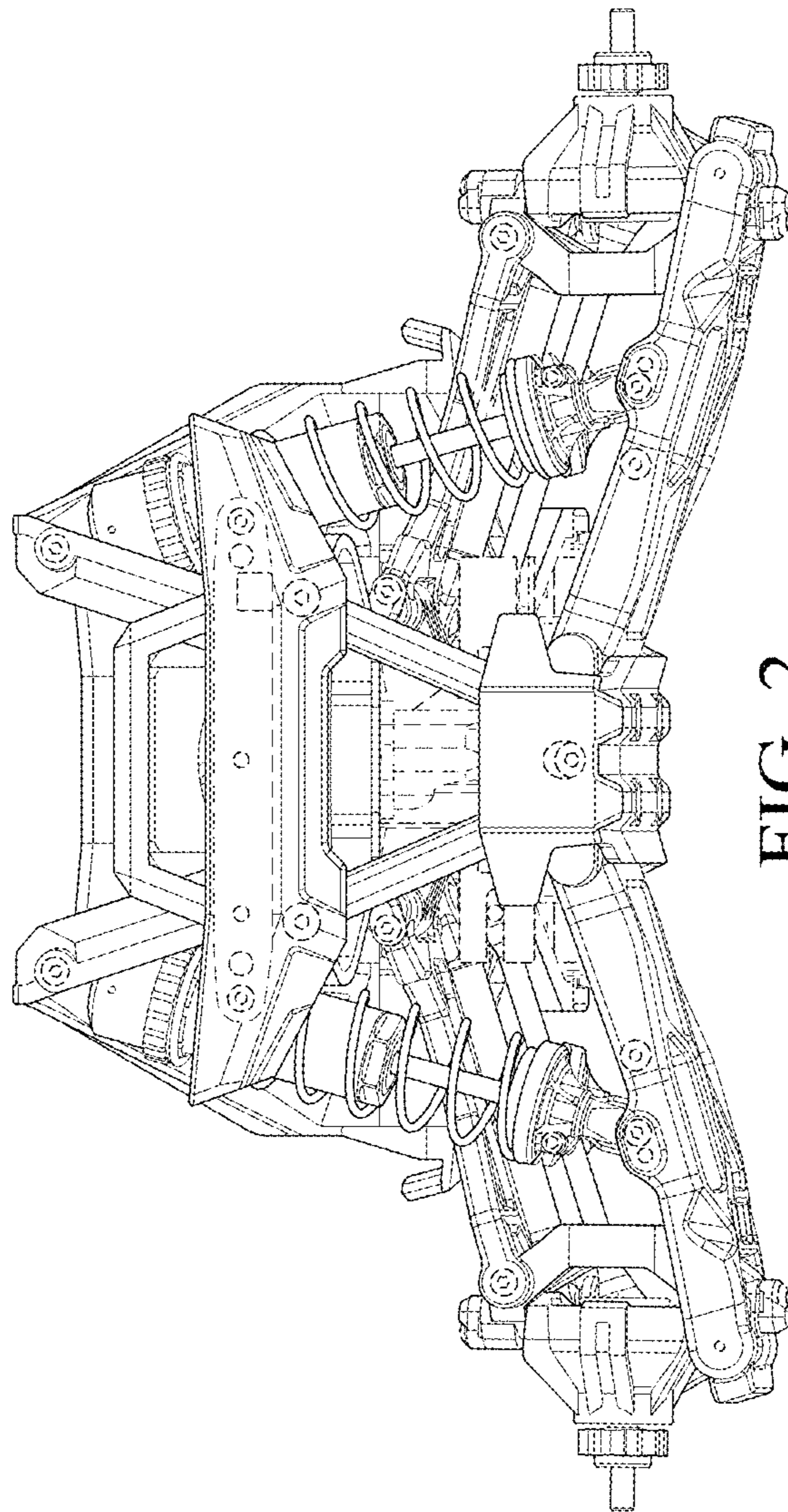


FIG. 2

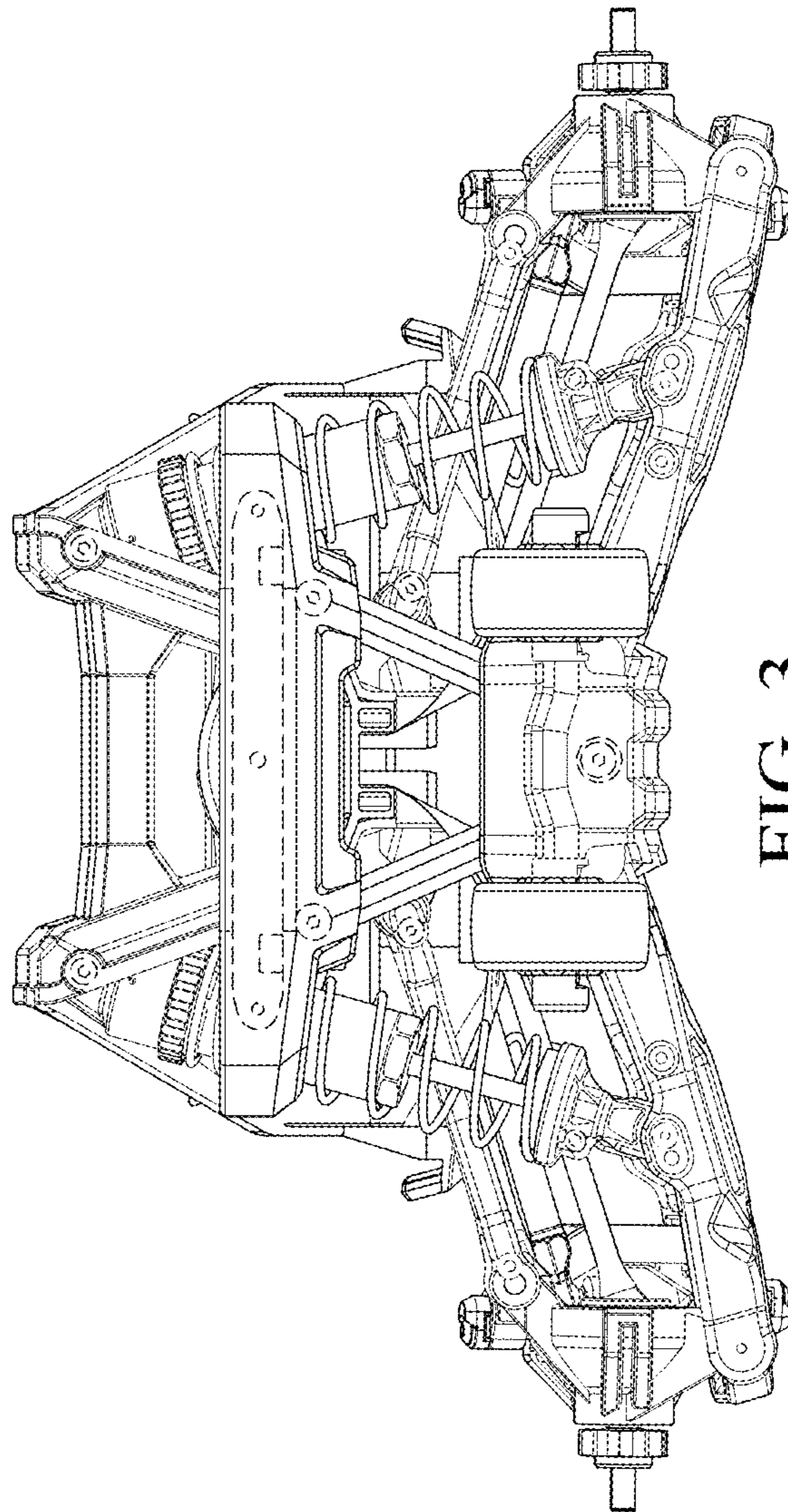


FIG. 3

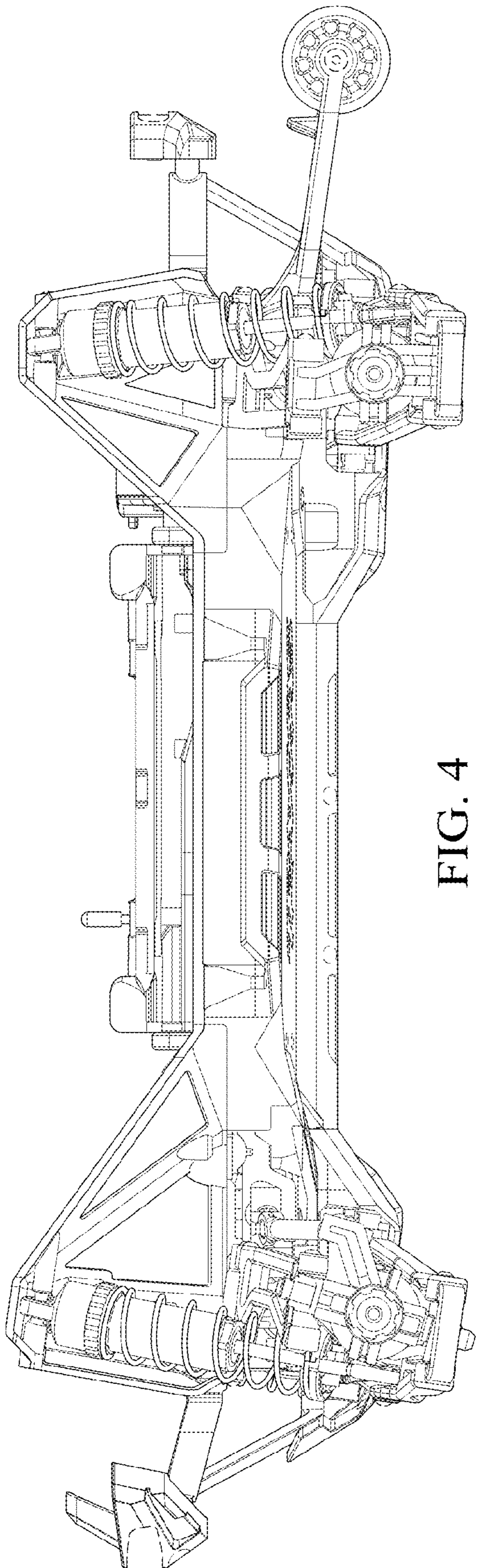


FIG. 4

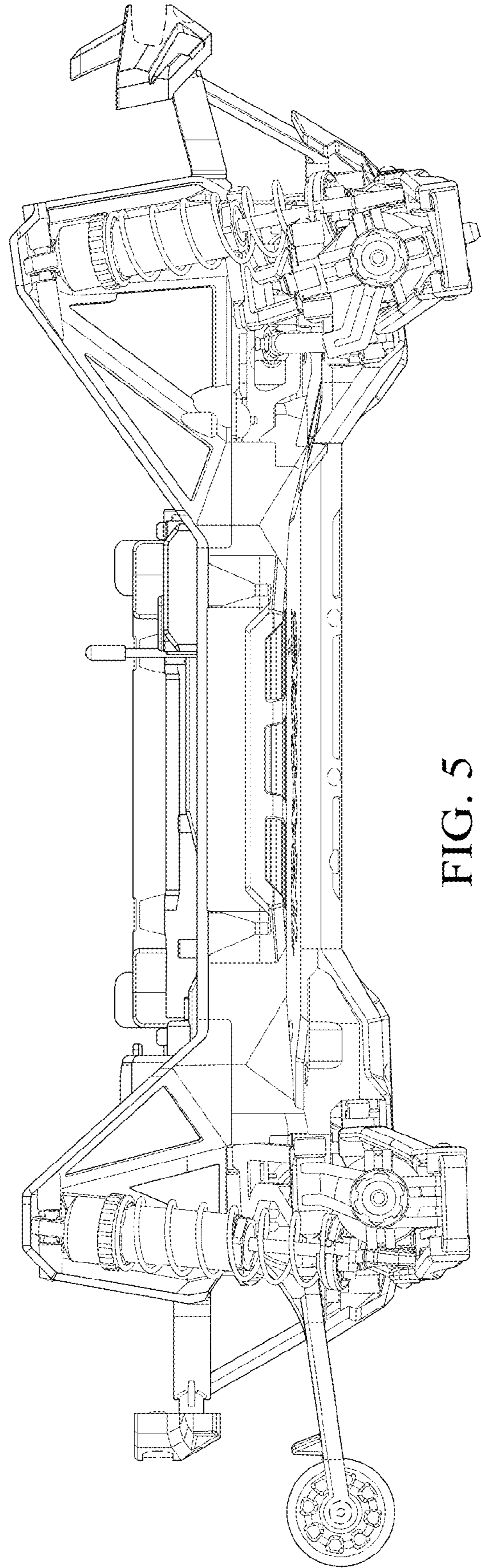


FIG. 5

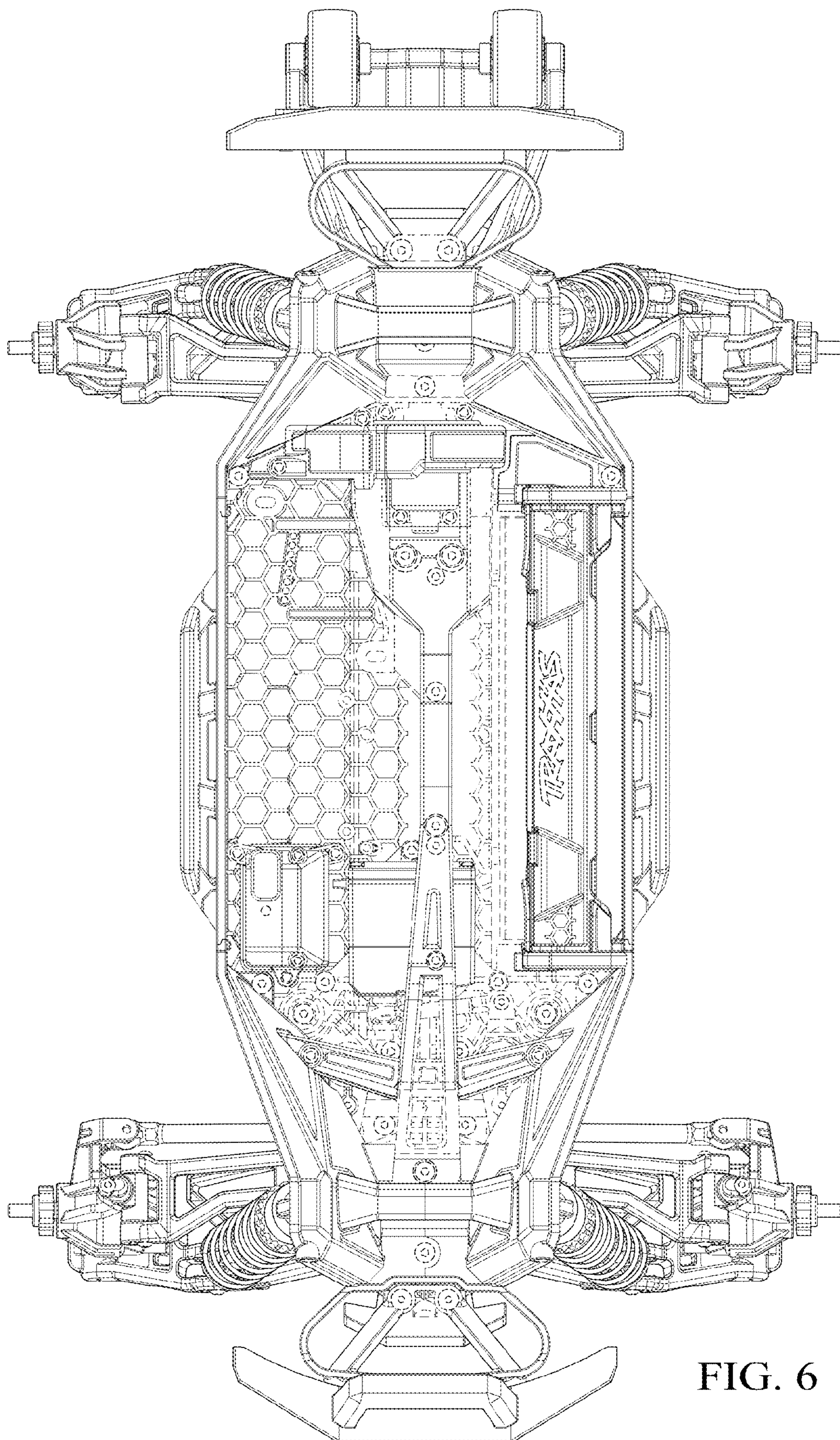


FIG. 6

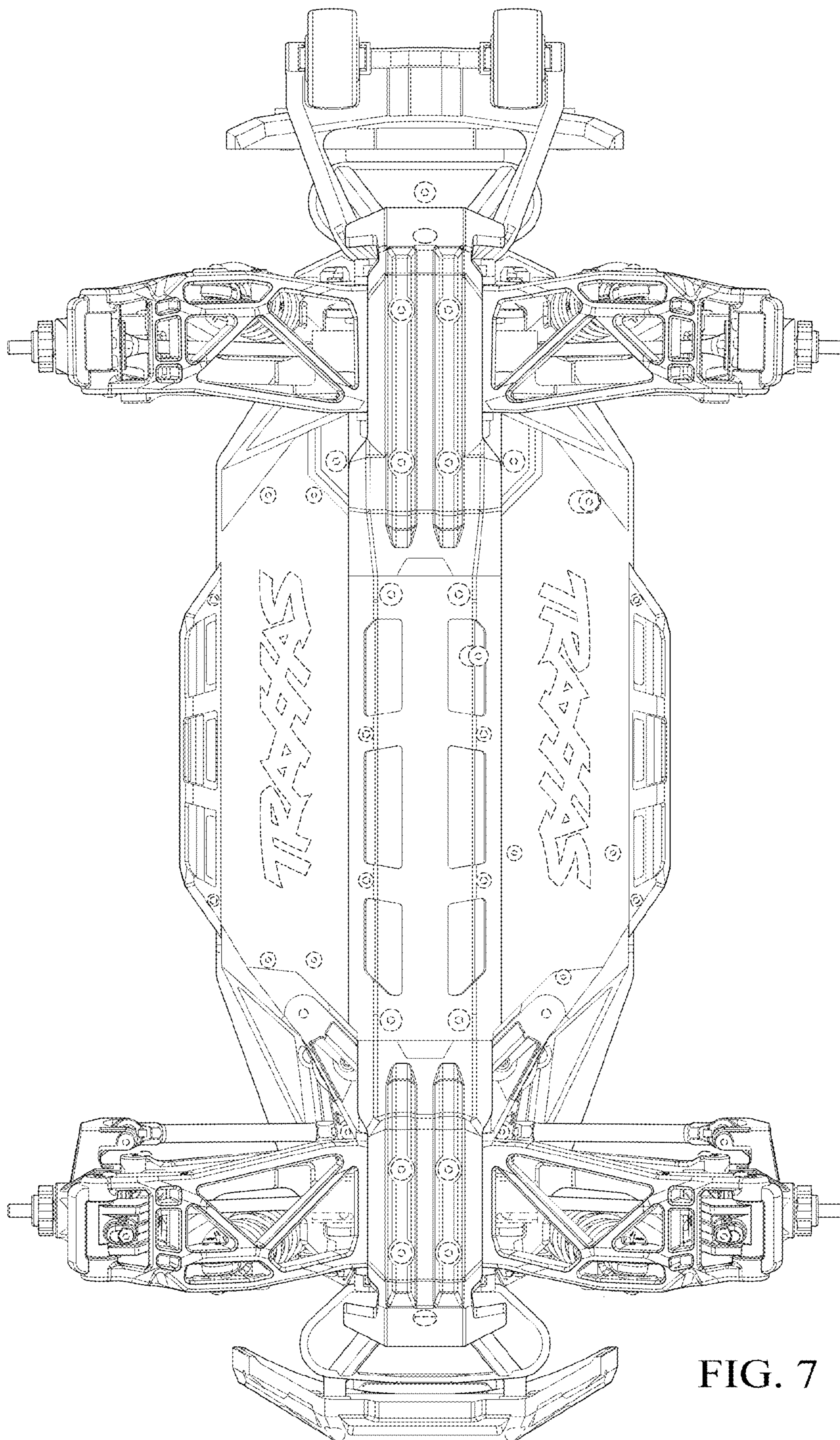


FIG. 7

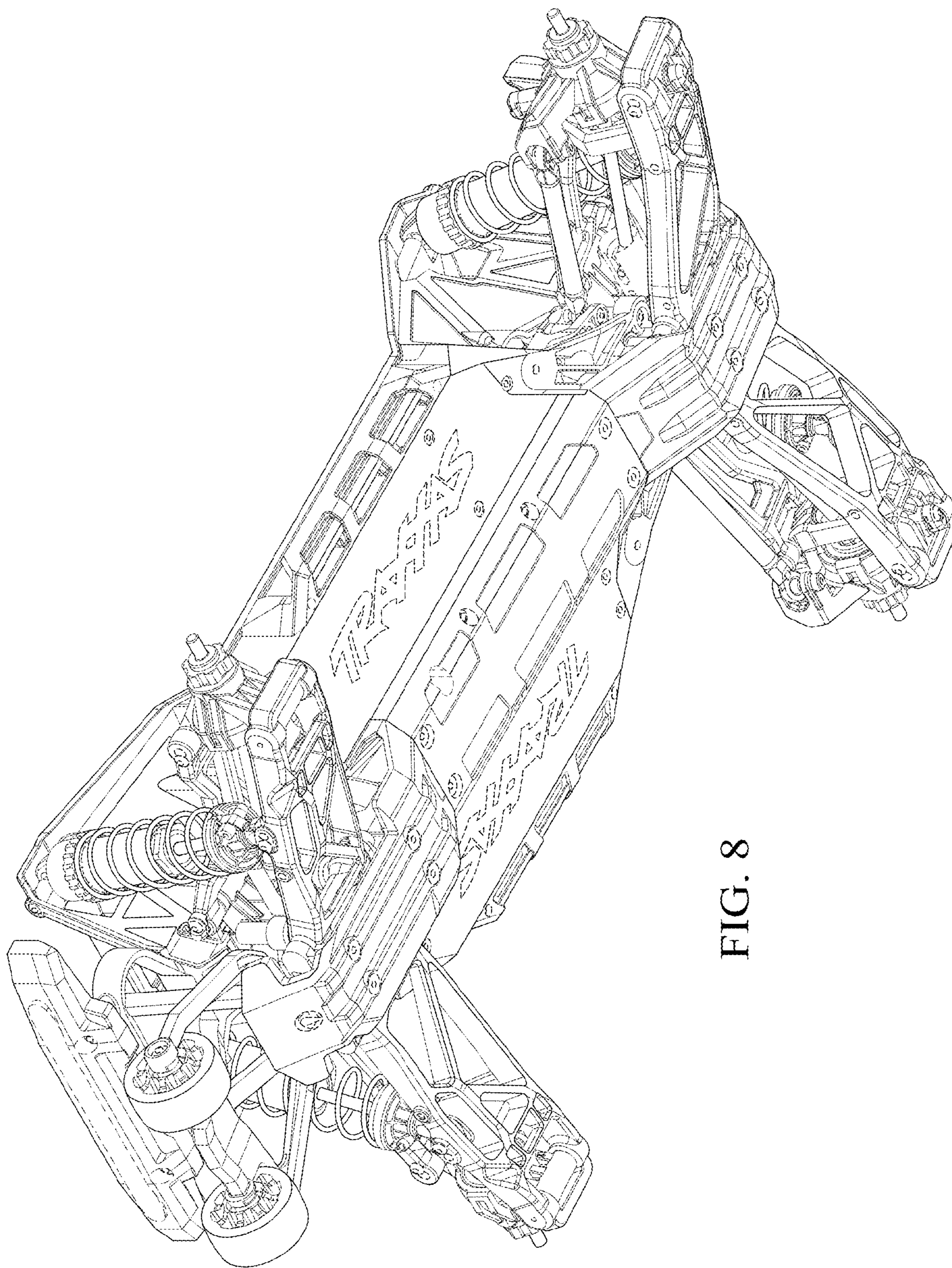


FIG. 8