

US00D964481S

(12) **United States Design Patent** (10) **Patent No.:** **US D964,481 S**
Kane et al. (45) **Date of Patent:** **** Sep. 20, 2022**

(54) **TOY SUBMARINE**

FOREIGN PATENT DOCUMENTS

(71) Applicant: **Aqua-Leisure Industries, Inc.**, Avon, MA (US)

CN 3482151 * 10/2005
CN 303702848 * 6/2016

(Continued)

(72) Inventors: **Jesse Kane**, Attleboro, MA (US);
Gregory J. Autore, Spring Valley, OH (US)

OTHER PUBLICATIONS

(73) Assignee: **Aqua-Leisure Recreation, LLC**, Avon, MA (US)

Trust Us: You Can't Really Turn a Truck Into a Submarine, available on wired.com, date posted Aug. 19, 2016, [site visited Apr. 5, 2022], URL: <https://www.wired.com/2016/08/trust-us-cant-really-turn-truck-submarine/> (Year: 2016).*

(**) Term: **15 Years**

(Continued)

(21) Appl. No.: **29/747,192**

Primary Examiner — Dana K Weiland

(22) Filed: **Aug. 20, 2020**

Assistant Examiner — Emily Anna Saunders

(51) **LOC (13) Cl.** **21-01**

(74) *Attorney, Agent, or Firm* — Wolf, Greenfield & Sacks, P.C.

(52) **U.S. Cl.**

USPC **D21/545**

(58) **Field of Classification Search**

USPC D21/473, 542, 543, 544, 545, 546, 547;
D12/214, 300, 301, 308, 316, 317, 318;
D30/160; D6/597

(57)

CLAIM

CPC A63F 9/0601; A63H 33/00; A63H 3/02;
A63H 3/36; A63H 3/52; B63G 8/00;
B63G 8/001; B63B 1/04

The ornamental design for a toy submarine, as shown and described.

See application file for complete search history.

DESCRIPTION

(56) **References Cited**

U.S. PATENT DOCUMENTS

D141,229 S * 5/1945 Sleness D21/545
2,826,001 A * 3/1958 Presnell A63H 23/04
114/337
D190,127 S * 4/1961 Fowler D12/308
3,036,403 A * 5/1962 Presnell A63H 23/04
43/26.1
D196,013 S * 8/1963 Higgins D12/308
3,157,145 A * 11/1964 Farris B63G 8/24
244/46
3,229,420 A * 1/1966 Dias A63H 30/02
124/57
3,451,159 A 6/1969 Springfors

FIG. 1 is a perspective view of a toy submarine in accordance with our new design.

FIG. 2 is a top plan view of the toy submarine.

FIG. 3 is left side elevational view of the toy submarine of FIG. 1.

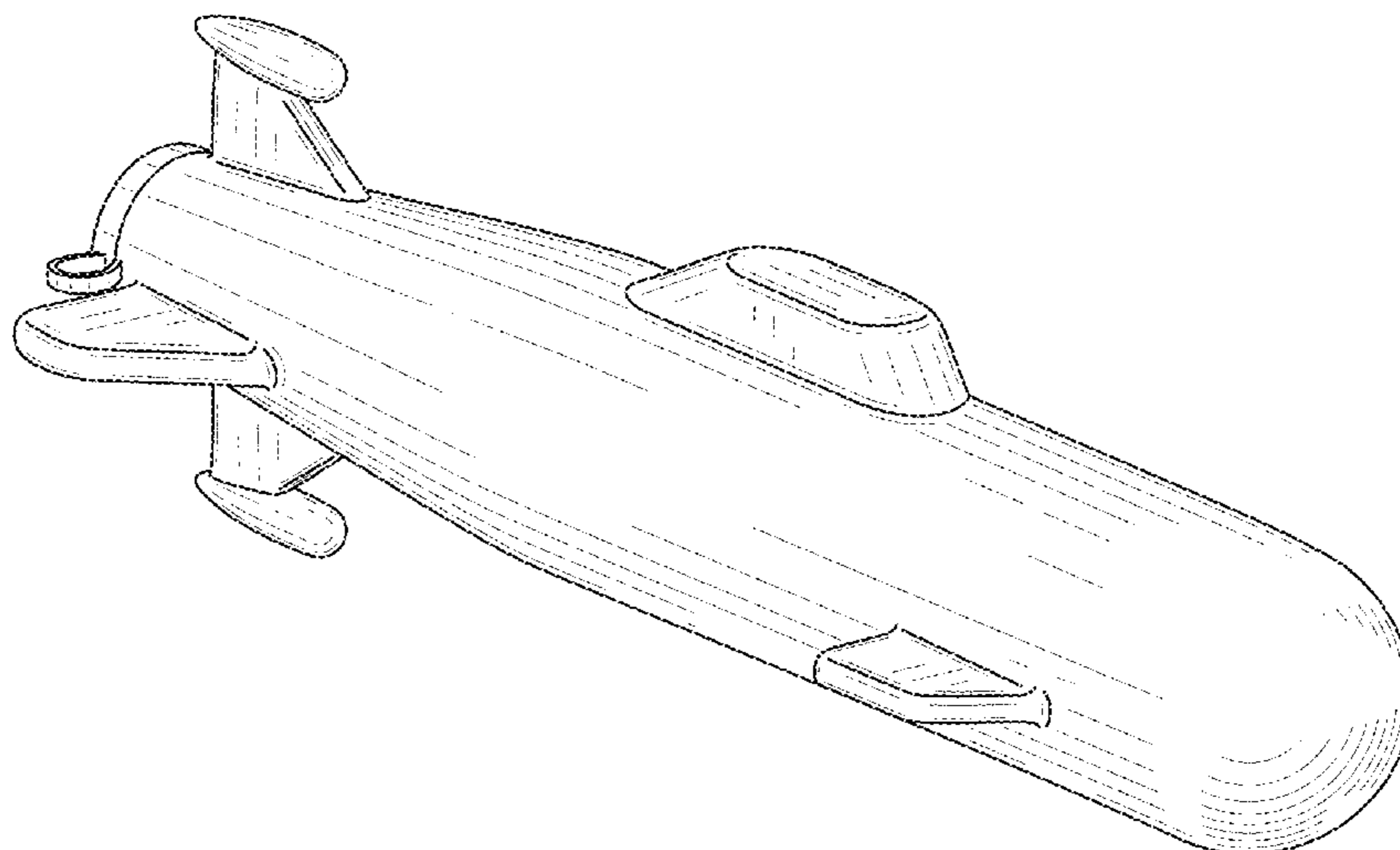
FIG. 4 is a right-side elevational view of the toy submarine of FIG. 1.

FIG. 5 is a bottom plan view of the toy submarine.

FIG. 6 is an elevational view of the front end of the toy submarine of FIG. 1; and,

FIG. 7 is an elevational view of the rear end of the toy submarine of FIG. 1.

1 Claim, 4 Drawing Sheets



(56)

References Cited

U.S. PATENT DOCUMENTS

3,648,635 A * 3/1972 Hashemi B63G 8/001
114/244
3,722,452 A * 3/1973 Wynn, Jr. B63G 8/42
114/244
D238,598 S * 1/1976 Tong D21/545
D259,646 S * 6/1981 Grimberg D21/545
4,826,465 A * 5/1989 Fleischmann B63G 8/36
446/155
D304,923 S * 12/1989 Pado D12/308
4,919,637 A * 4/1990 Fleischmann A63H 23/04
446/155
5,462,003 A * 10/1995 Fox B63G 8/28
114/316
5,514,023 A 5/1996 Warner
5,597,337 A * 1/1997 Nedderman, Jr. B63B 32/66
441/79
5,613,460 A * 3/1997 Stallard, III B63G 8/30
114/321
5,615,847 A * 4/1997 Bourlett F42B 10/14
244/3.28
5,677,506 A * 10/1997 Wallin F41A 23/22
89/37.06
D509,324 S * 9/2005 Wei D30/102
D733,634 S * 7/2015 De Camargo Aranha ... D12/308
11,319,042 B2 * 5/2022 Seeley B63G 8/16
2003/0164134 A1 * 9/2003 King B63G 8/001
114/245
2017/0183069 A1 * 6/2017 Sylvia B63G 8/28
2019/0143269 A1 * 5/2019 Yu B01J 35/04
422/119
2020/0103317 A1 * 4/2020 Jackson B63C 11/52
2021/0323644 A1 * 10/2021 DeWeert B63B 49/00
2022/0219796 A1 * 7/2022 Wilby B63G 8/39

FOREIGN PATENT DOCUMENTS

CN 304314884 * 10/2017
CN 304678953 * 6/2018
CN 305056012 * 3/2019

CN 305133521 * 4/2019
CN 305390602 * 10/2019
CN 305556281 * 1/2020
CN 305699095 * 4/2020
CN 306329670 * 2/2021
CN 306702550 * 7/2021
CN 306965967 * 11/2021
EP 001862715-0001 * 5/2011

OTHER PUBLICATIONS

China's quantum submarine detector, available on institutions.newscientist.com. date posted Aug. 22, 2017, [site visited Apr. 5, 2022], URL: <https://institutions.newscientist.com/article/2144721-chinas-quantum-submarine-detector-could-seal-south-china-sea/> (Year: 2017).*

Monochrome Submarine, available on Amazon.co.jp, date first available Feb. 20, 2018, [site visited Apr. 5, 2022], URL: <https://www.amazon.co.jp/-/en/Monochrome-MCT108-Self-Defense-Submarine-Plastic/dp/B079Y6D888/> (Year: 2018).*

Mini DIY 6 Channels RC Blue Submarine, available on joom.com, oldest customer review May 27, 2019, [site visited Apr. 5, 2022], URL: <https://www.joom.com/en/products/151185365473335117-206-1-709-408324858?reviewsPage=> (Year: 2019).*

Submarine Stress Reliever, available on anypromo.com, Wayback Machine date Sep. 24, 2020, [site visited Apr. 5, 2022], URL: <https://web.archive.org/web/20200924014436/https://www.anypromo.com/stress-relievers/submarine-stress-relievers-p643997> (Year: 2020).*

Cuddle Submarine Plush Toy, available on 16submarines.com, oldest customer review Jun. 16, 2021, [site visited Apr. 5, 2022], URL: <https://16submarines.com/products/cuddle-submarine-plush-toy-with-photo-porthole> (Year: 2021).*

Green Toys Submarine in Yellow & blue, available on Amazon.com, release date Dec. 1, 2021, [site visited Apr. 5, 2022], URL: <https://www.amazon.com/Green-Toys-Submarine-Yellow-blue/dp/B008LQXRBE?th=1> (Year: 2021).*

Silicone Bath Toy, Submarine Squirt, available on marcusmarcus.com, [site visited Apr. 5, 2022], URL: <https://www.marcusmarcus.com/product/silicone-bath-toy-submarine-squirt/> (Year: 2022).*

* cited by examiner

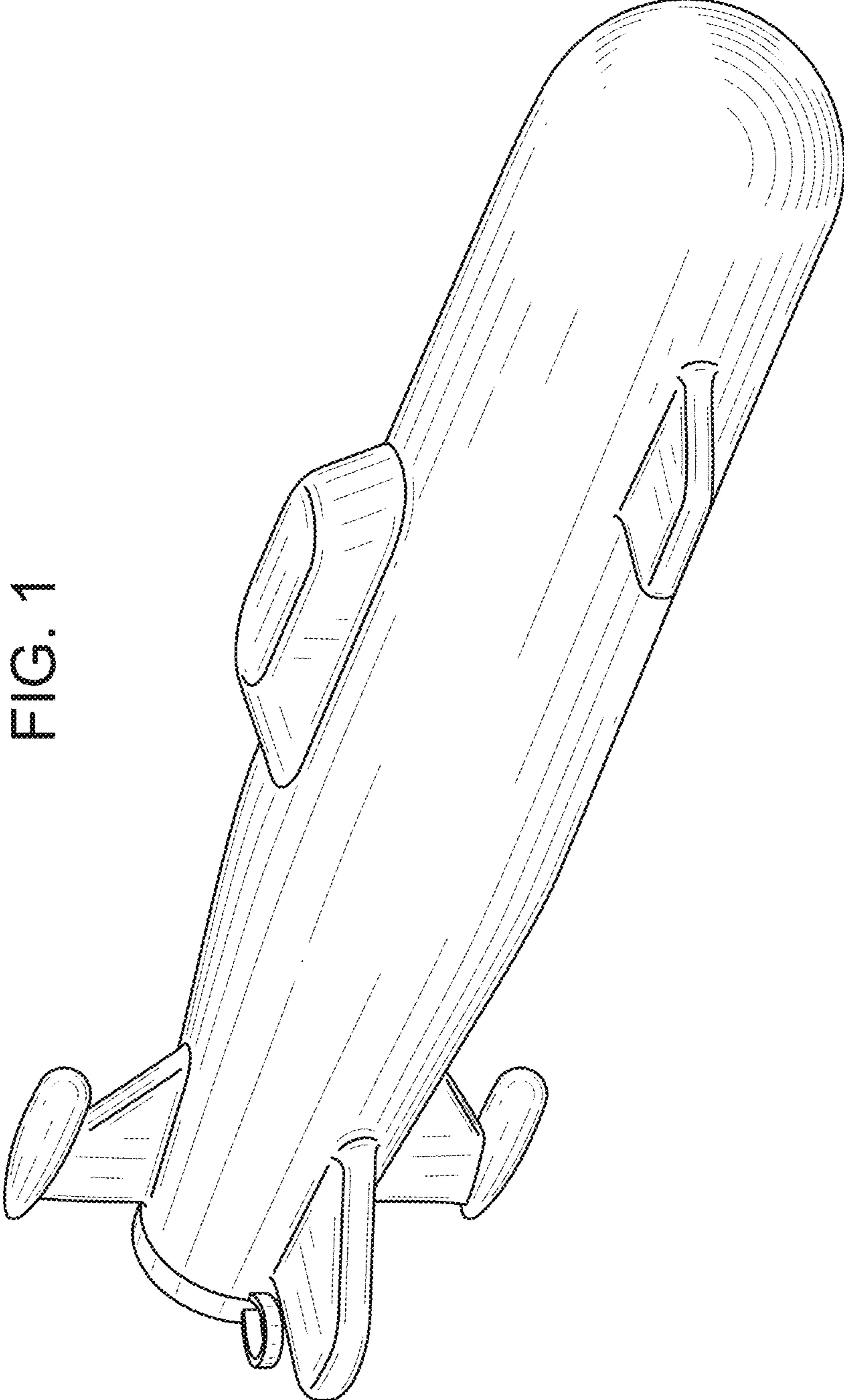


FIG. 1

FIG. 2

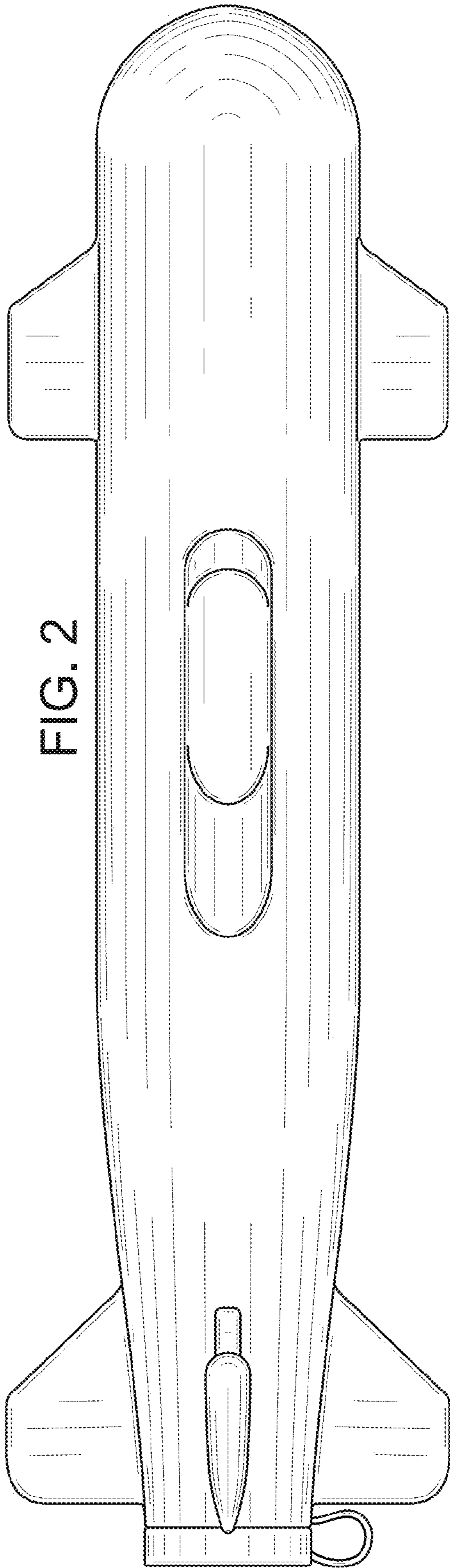


FIG. 3

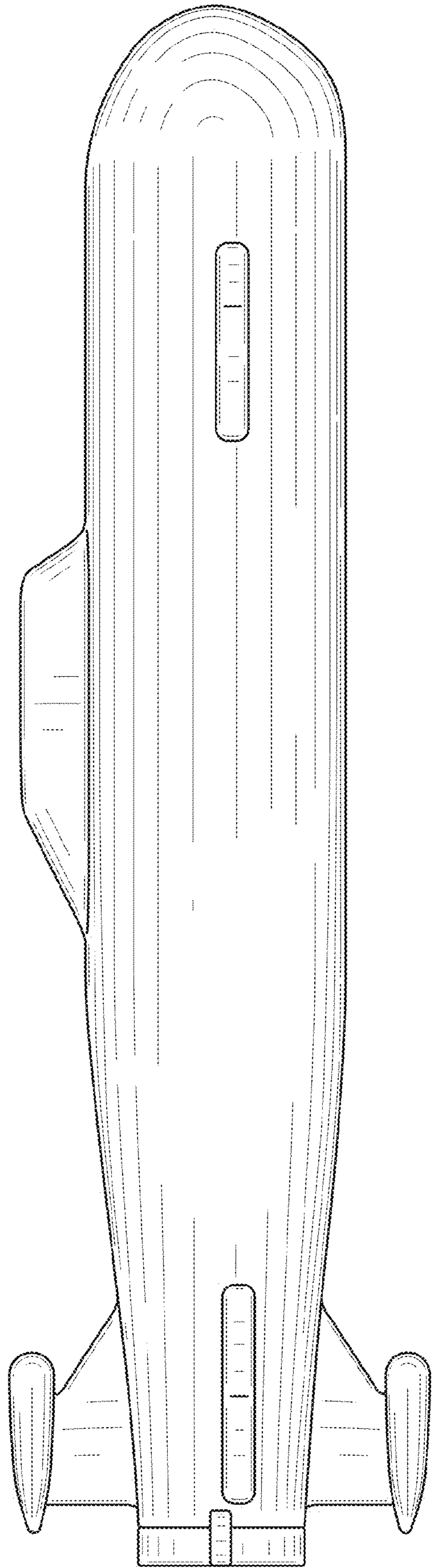


FIG. 4

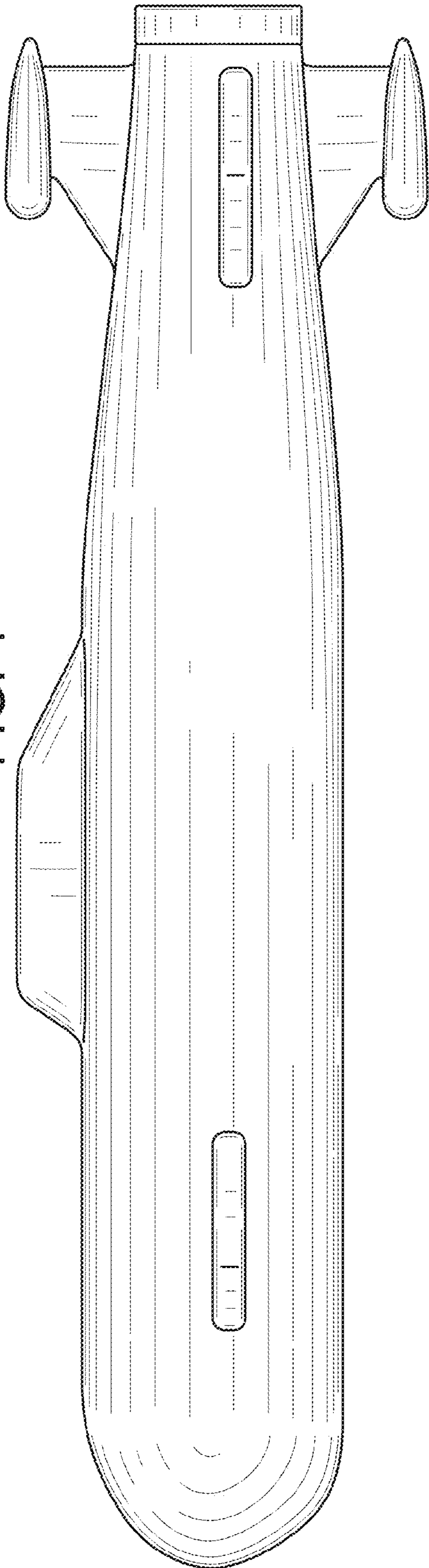


FIG. 5

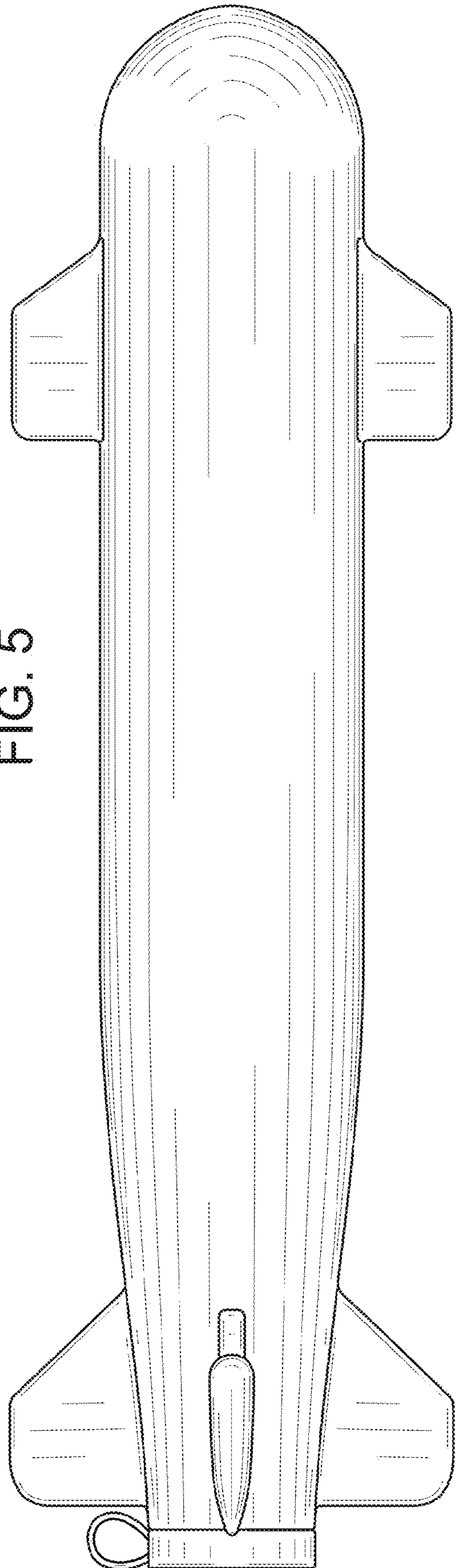


FIG. 6

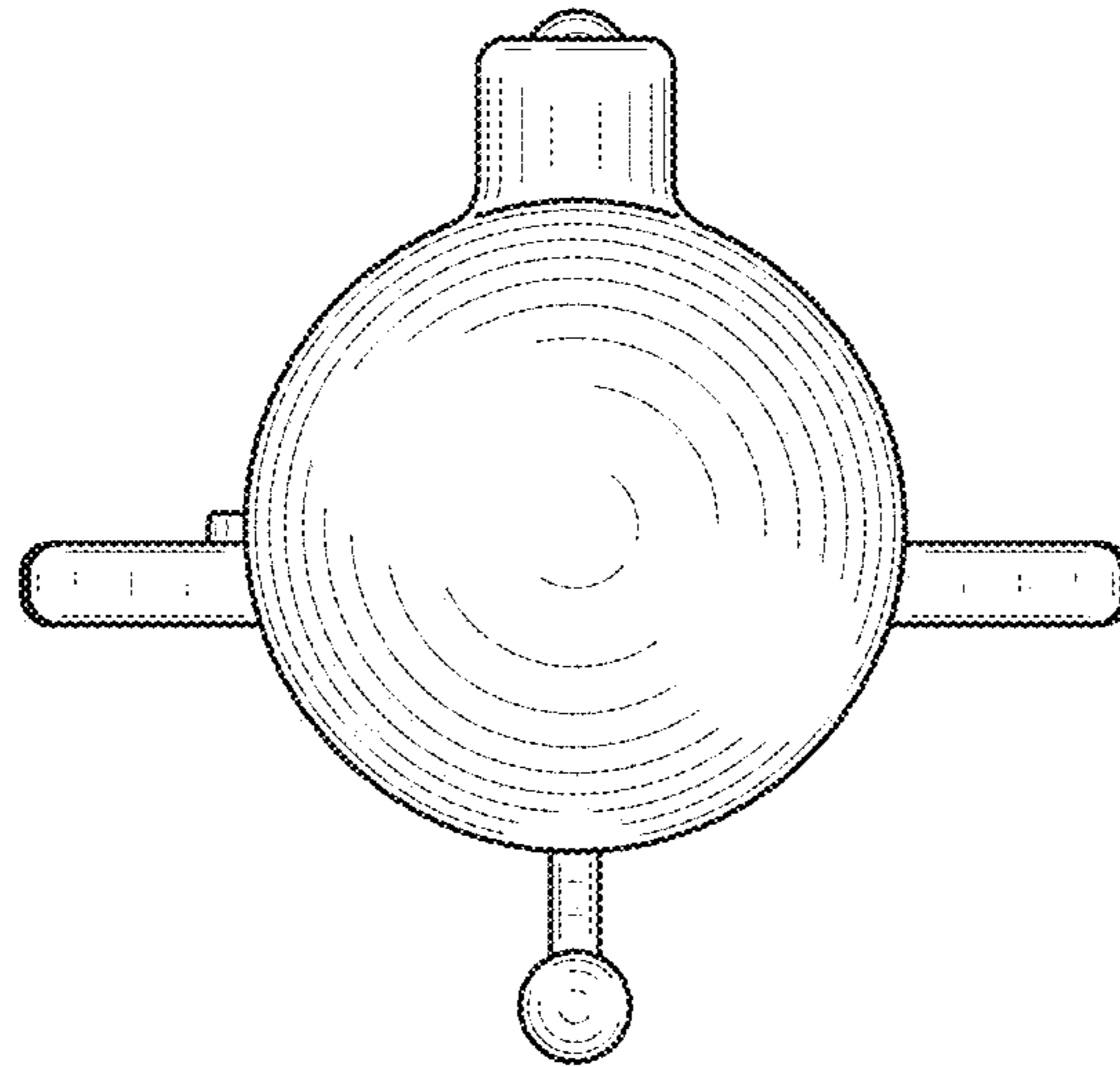


FIG. 7

