



US00D964480S

(12) **United States Design Patent** (10) **Patent No.:** **US D964,480 S**
Guo (45) **Date of Patent:** **** Sep. 20, 2022**

(54) **CASH REGISTER TOY**
(71) Applicant: **Shuzhong Guo**, Shantou (CN)
(72) Inventor: **Shuzhong Guo**, Shantou (CN)
(**) Term: **15 Years**

6,532,314 B1 * 3/2003 Plain G06K 7/10881
382/312
D490,862 S * 6/2004 Hradisky D21/524
D605,710 S * 12/2009 Ben-Moshe D14/138 AD
D659,772 S * 5/2012 Messner D21/512

(21) Appl. No.: **29/764,130**
(22) Filed: **Dec. 28, 2020**

FOREIGN PATENT DOCUMENTS

CN 201298253 Y * 8/2009
CN 201454108 U * 5/2010

(51) **LOC (13) Cl.** **21-01**
(52) **U.S. Cl.**
USPC **D21/512**

OTHER PUBLICATIONS

Superhigh Cash Register set, Ubuy website customer reviews 2021, site visited Feb. 24, 2021, <https://www.u-buy.com.tw/en/product/1AEP0XJUY-superhigh-cash-register-for-kids> . . . *

(58) **Field of Classification Search**
USPC D21/521, 519, 529, 512; D6/339, 369
CPC A47C 5/02; A47C 9/005; A47C 13/005;
A47C 4/021; A47C 4/024; A47C 4/03;
A47C 5/005; A47C 7/006; A61B 6/501;
A63H 33/3005
See application file for complete search history.

* cited by examiner

Primary Examiner — John R Yeh

(56) **References Cited**

(57) **CLAIM**

U.S. PATENT DOCUMENTS

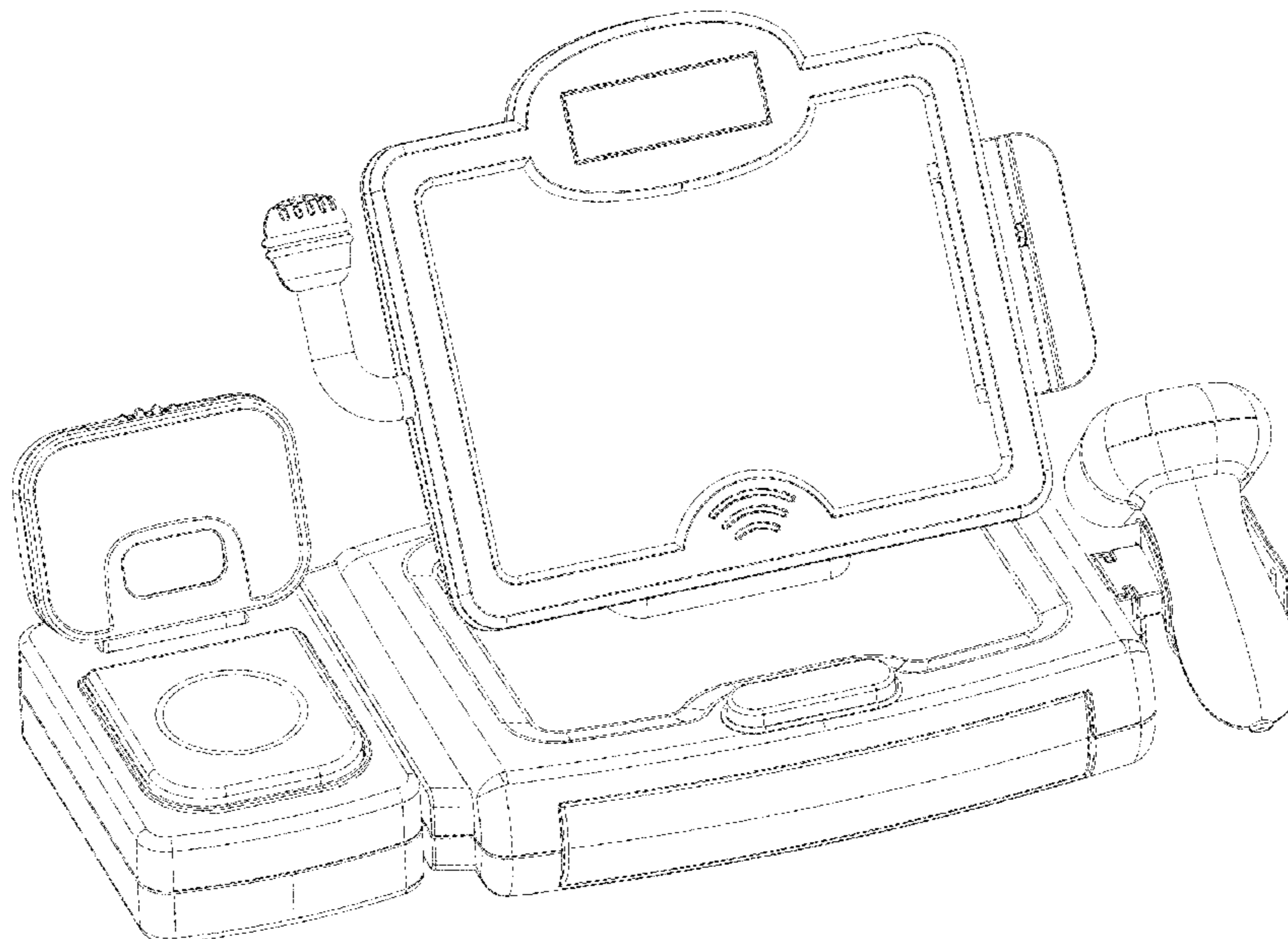
The ornamental design for a cash register toy, as shown and described.

- 4,282,674 A * 8/1981 Hanson A63H 33/3005
446/143
- D261,289 S * 10/1981 Schoenfield D18/4.1
- 4,295,036 A * 10/1981 Tsui A63H 33/3005
446/143
- 4,307,534 A * 12/1981 Tomita A63H 33/3005
446/143
- 4,332,101 A * 6/1982 Tomita A63H 33/30
40/406
- D265,748 S * 8/1982 Tabata D21/529
- D276,540 S * 11/1984 Sun D21/512
- D279,204 S * 6/1985 Catelli D21/512
- D282,942 S * 3/1986 Hartelius D21/524
- 4,811,828 A * 3/1989 Gotman G09B 19/18
446/13
- D384,698 S * 10/1997 Chan D19/60
- D418,550 S * 1/2000 Powell D21/512

DESCRIPTION

FIG. 1 is a perspective view of a cash register toy showing my new design;
FIG. 2 is a front view thereof;
FIG. 3 is a rear view thereof;
FIG. 4 is a left side view thereof;
FIG. 5 is a right side view thereof;
FIG. 6 is a top plan view thereof; and,
FIG. 7 is a bottom plan view thereof.
The broken lines where present illustrate portions of the cash register toy that form no part of the claimed design.

1 Claim, 7 Drawing Sheets



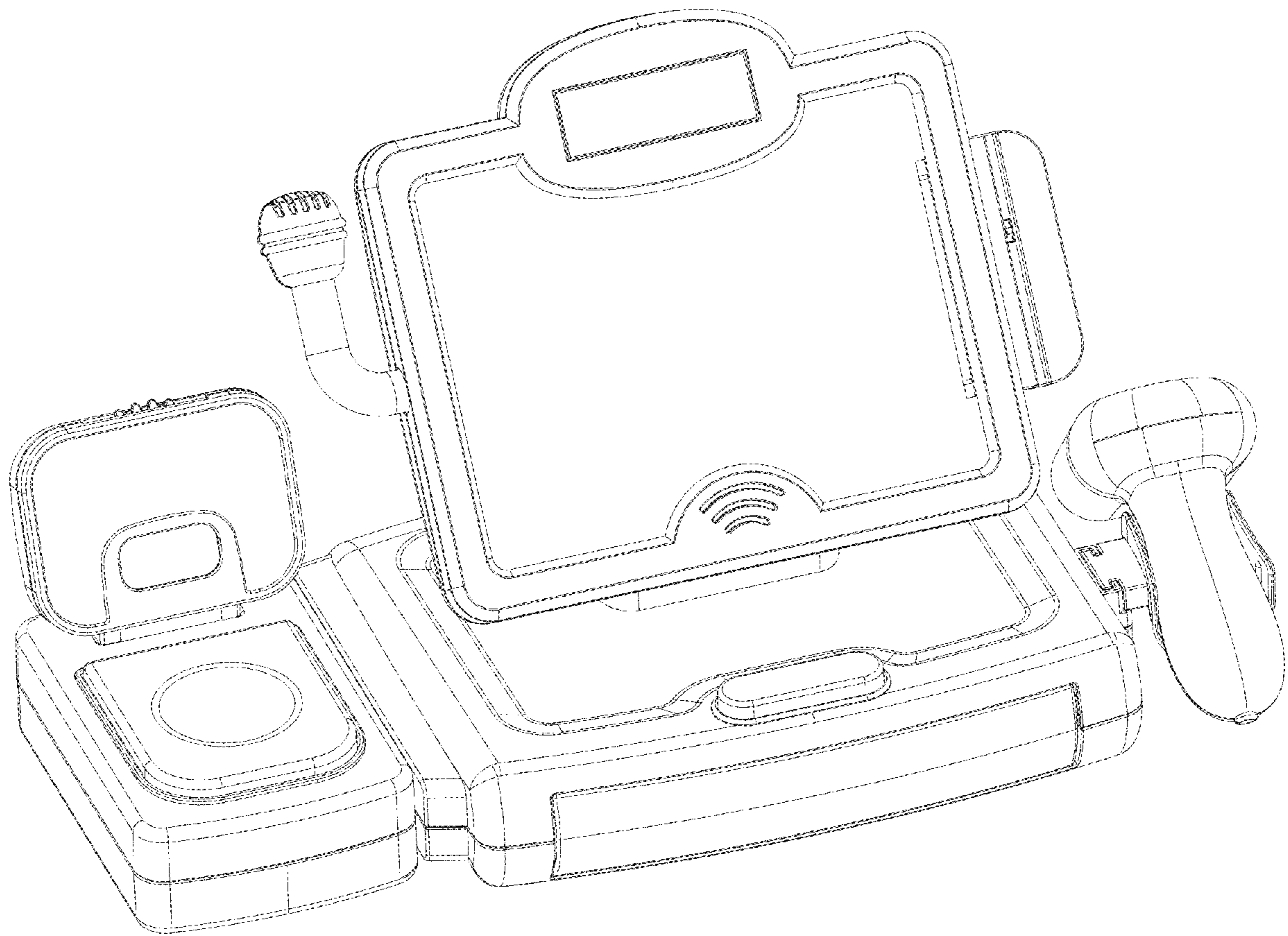


FIG. 1

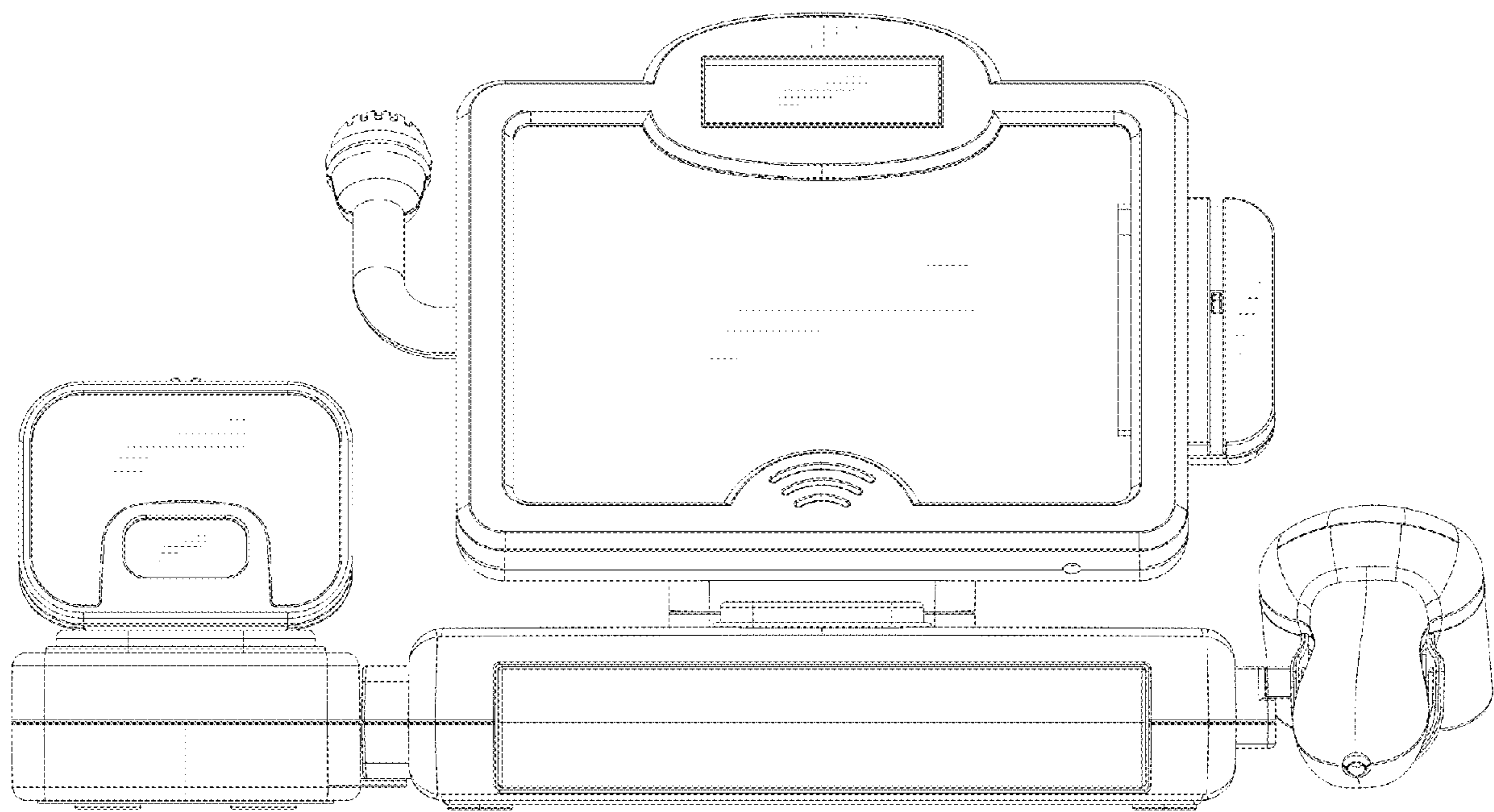


FIG. 2

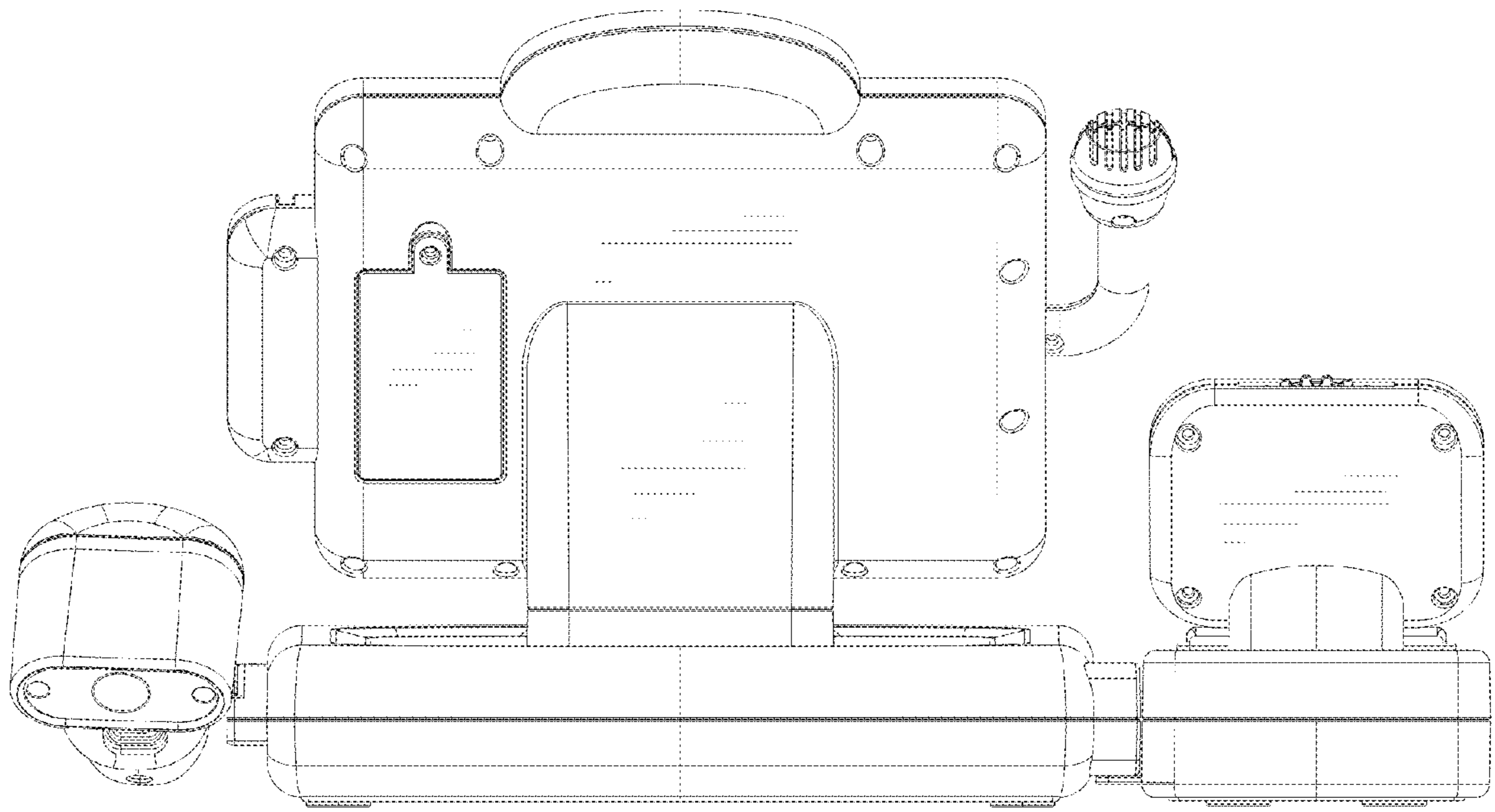


FIG. 3

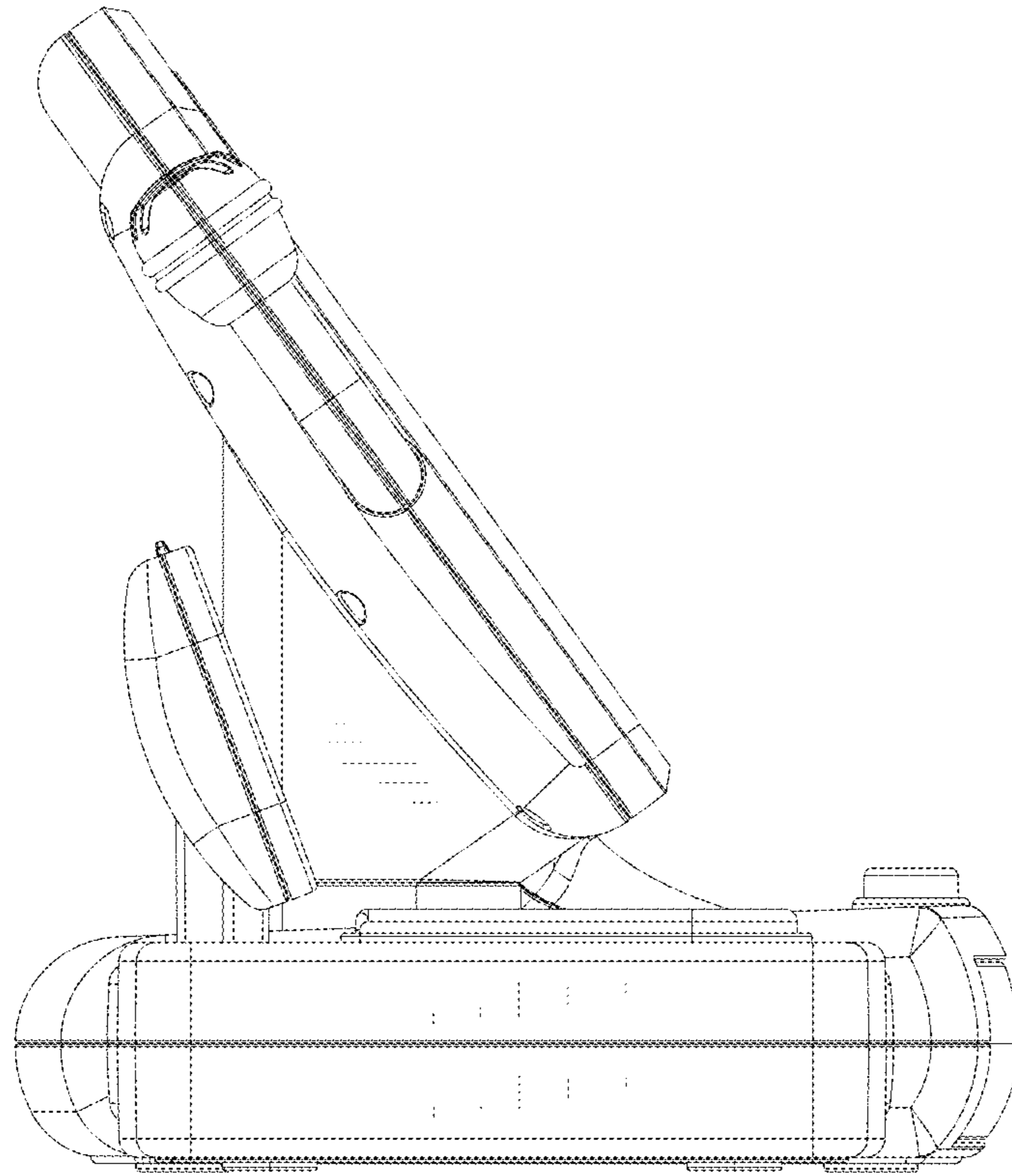


FIG. 4

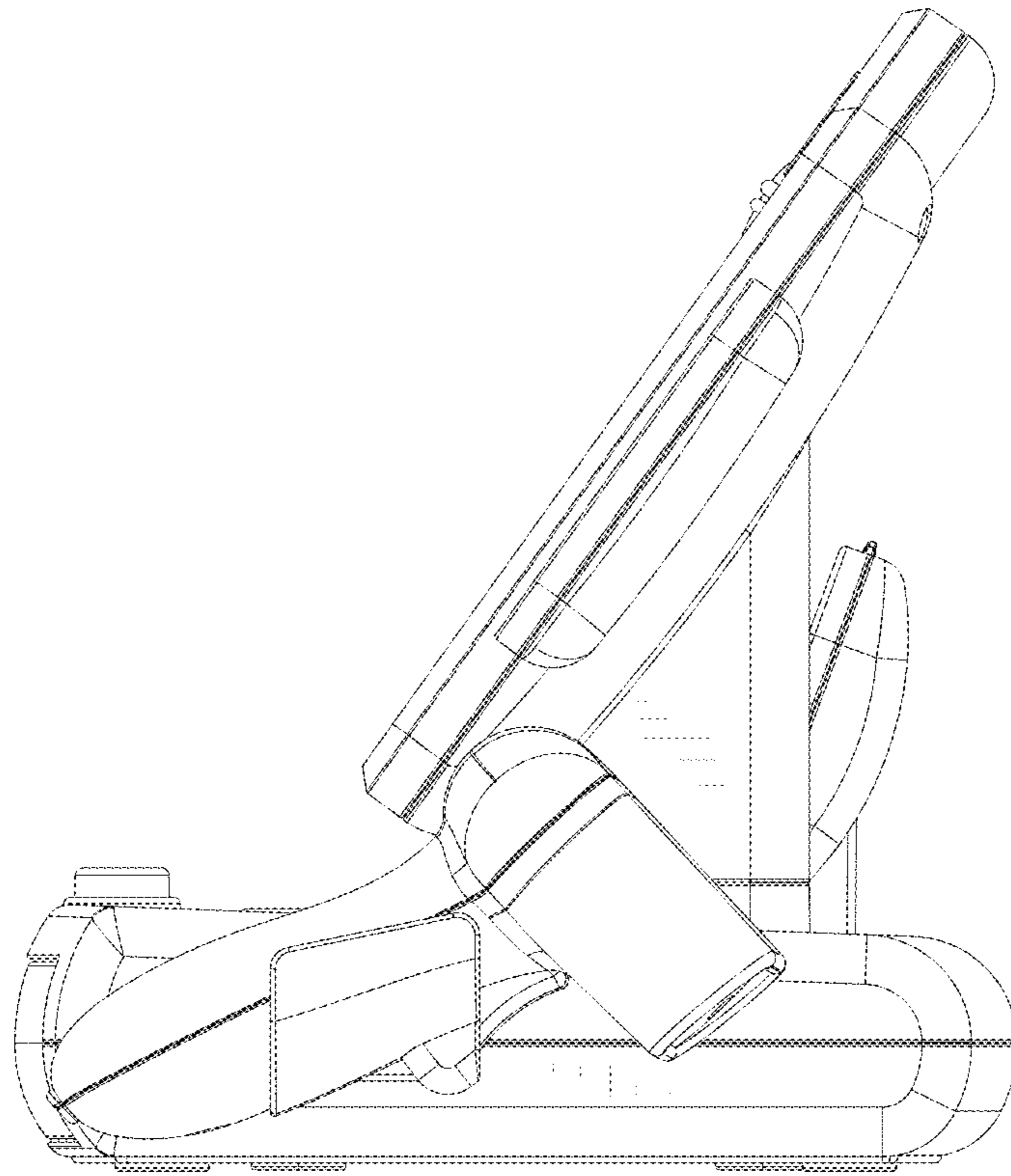


FIG. 5

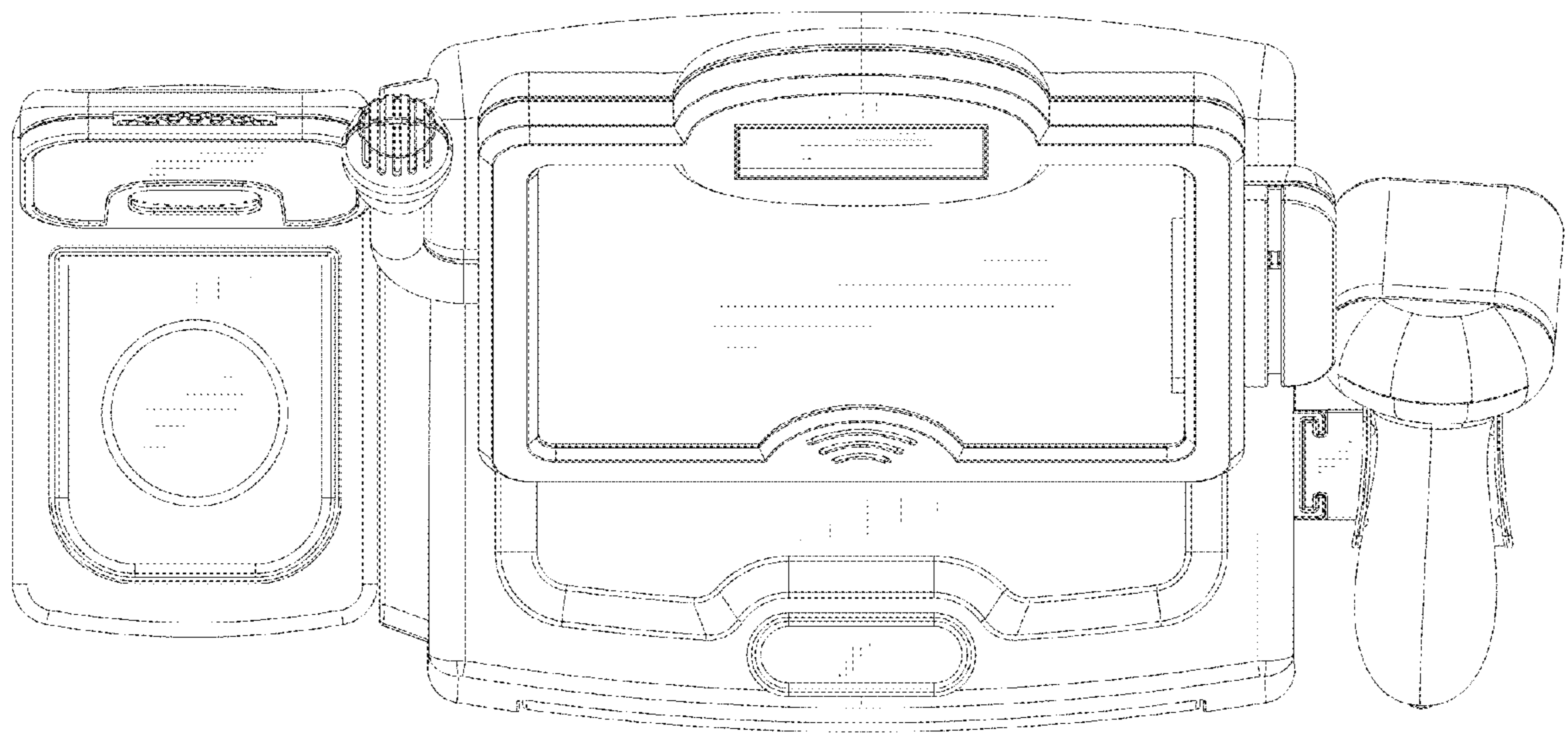


FIG. 6

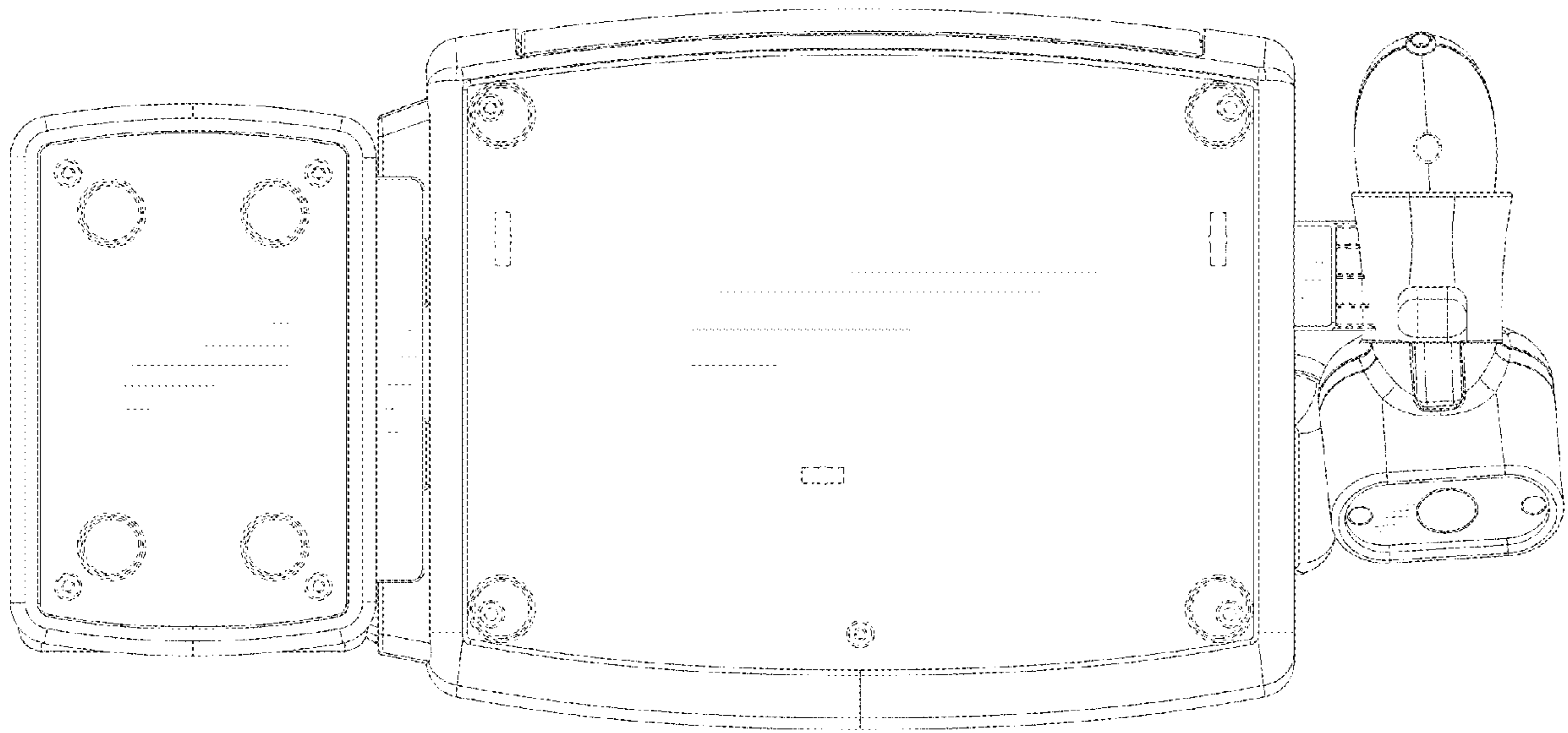


FIG. 7