



US00D964478S

(12) **United States Design Patent** (10) **Patent No.:** **US D964,478 S**
Jiang (45) **Date of Patent:** **** Sep. 20, 2022**

(54) **WOODEN FRAME**
(71) Applicant: **Lijun Jiang**, Ninghai (CN)
(72) Inventor: **Lijun Jiang**, Ninghai (CN)
(**) Term: **15 Years**

D467,626 S * 12/2002 Ben-Arush D21/475
D498,092 S * 11/2004 Lin D6/366
7,376,993 B2 * 5/2008 Myers A47D 13/063
8,328,594 B2 * 12/2012 Hall A47D 15/003
472/134
8,616,932 B2 * 12/2013 Gelfond E04H 15/48
482/148

(Continued)

(21) Appl. No.: **29/778,189**
(22) Filed: **Apr. 12, 2021**
(51) **LOC (13) Cl.** **21-01**
(52) **U.S. Cl.**
USPC **D21/475**
(58) **Field of Classification Search**
USPC D6/300, 301, 302, 303, 304, 306, 307,
D6/308, 309, 310, 311, 312, 313, 314,
D6/363, 366, 708.23, 329, 333, 344, 391,
D6/715; D11/117, 130, 130.1; D21/398,
D21/419, 465, 468, 474, 475, 476
CPC A47G 1/0616; A47G 1/142; A47G
2001/0694; A47G 1/06; A47G 1/0605;
A47G 1/0633; A47G 1/0638; A47G
1/0644; A47G 1/08; A47G 1/10; A47G
1/14; A47G 1/141; A47G 1/16; A47G
1/1606; A47G 1/1613; A47G 2001/0661;
A47G 2001/0672; A47G 2001/0688;
A47G 2001/148; A47G 33/12; A47G
33/1206; A47G 33/1213; A47G 33/1226;
A47G 33/1246; A47G 33/126; G06F
1/1654; E04H 12/2238; E04H 12/3346;
A47D 13/107; A63H 5/00; A63H 33/00;
A63H 33/006

See application file for complete search history.

(56) **References Cited**

U.S. PATENT DOCUMENTS

D125,771 S * 3/1941 Kiesow D11/130.1
D274,682 S * 7/1984 Segel D6/310
D329,622 S * 9/1992 Smith D11/130.1
D394,678 S * 5/1998 Espinoza D21/406
6,042,077 A * 3/2000 Shoemith A47G 33/12
248/188.5

FOREIGN PATENT DOCUMENTS

CN 305587169 * 2/2020
GB 6089519 * 5/2020

OTHER PUBLICATIONS

The Play Gym by Lovevery [online], [site visited May 16, 2022]. Available from internet, URL: <<https://www.amazon.com/Lovevery-Developmental-Sensory-Development-Grounded/dp/B075R8BXXC/?th=1>> (Year: 2017).*

Primary Examiner — Cynthia Ramirez
Assistant Examiner — Xavier Marti-Santos
(74) *Attorney, Agent, or Firm* — Rumit Ranjit Kanakia

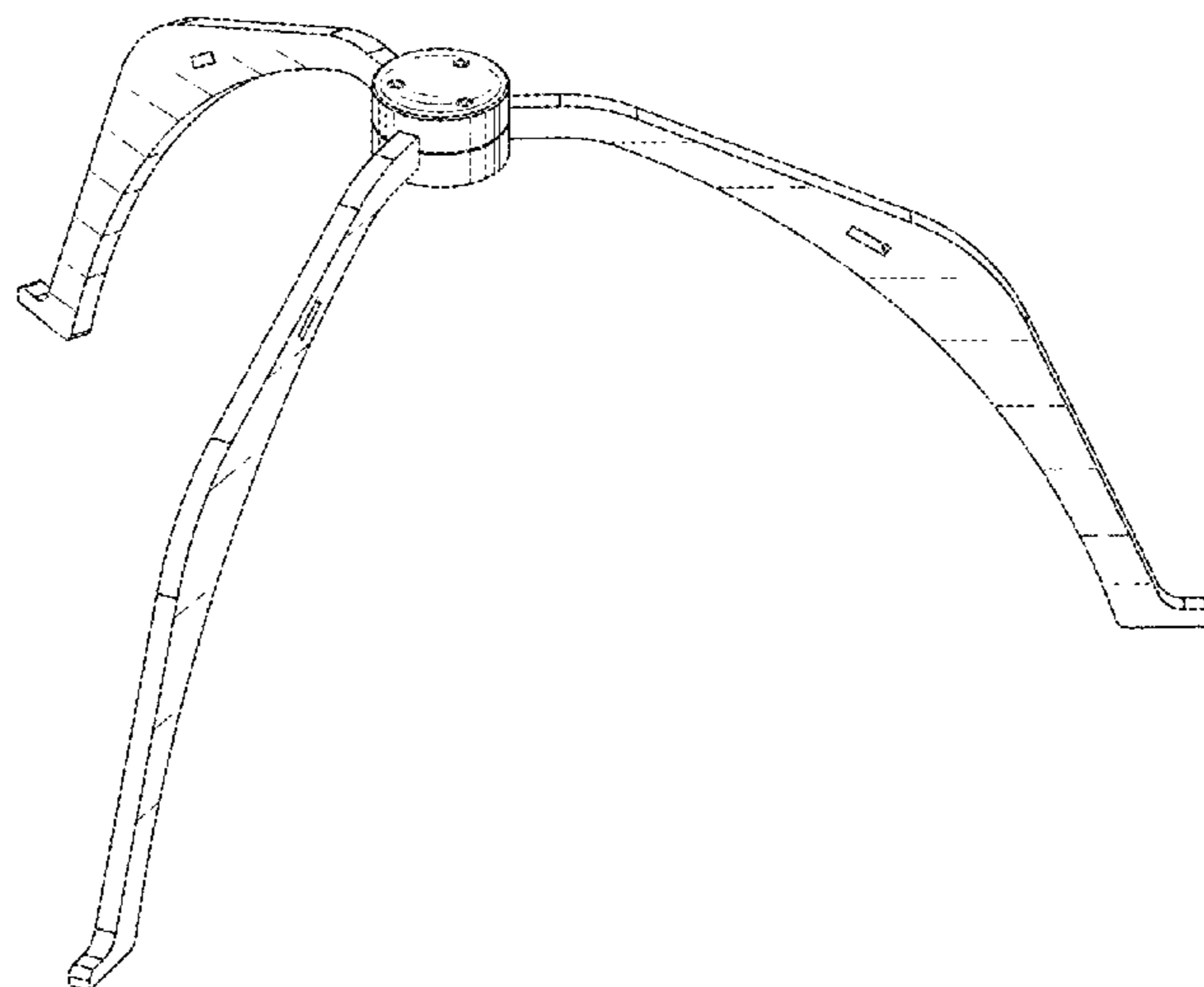
(57) **CLAIM**

I claim the ornamental design for a wooden frame, as shown and described.

DESCRIPTION

FIG. 1 is a perspective view of a wooden frame showing my new design;
FIG. 2 is a front view thereof;
FIG. 3 is a back view thereof;
FIG. 4 is a right-side view thereof;
FIG. 5 is a left-side view thereof;
FIG. 6 is a top view thereof; and,
FIG. 7 is a bottom view thereof.
The broken lines in the figures are for the purpose of illustrating portions of the wooden frame, which form no part of the claimed design.

1 Claim, 7 Drawing Sheets



(56)

References Cited

U.S. PATENT DOCUMENTS

D707,779 S * 6/2014 Elson D21/814
9,161,647 B2 * 10/2015 Leung A47G 33/1206
D807,225 S 1/2018 Zhao
D818,543 S * 5/2018 Zanger D21/475
D831,531 S 10/2018 Zhao
10,092,125 B1 * 10/2018 Braunberger A47G 33/12
D834,857 S * 12/2018 Peterson D6/596
D842,651 S 3/2019 Mroczkowski
D863,100 S 10/2019 Zhao
10,981,077 B1 * 4/2021 Rolph A63H 33/006
2011/0065353 A1 * 3/2011 Chininis A63H 33/006
446/227
2011/0275273 A1 * 11/2011 Oren A47D 13/00
446/227
2018/0071650 A1 * 3/2018 Reese A63H 33/008
2019/0099685 A1 * 4/2019 Rolph A63H 33/006

* cited by examiner

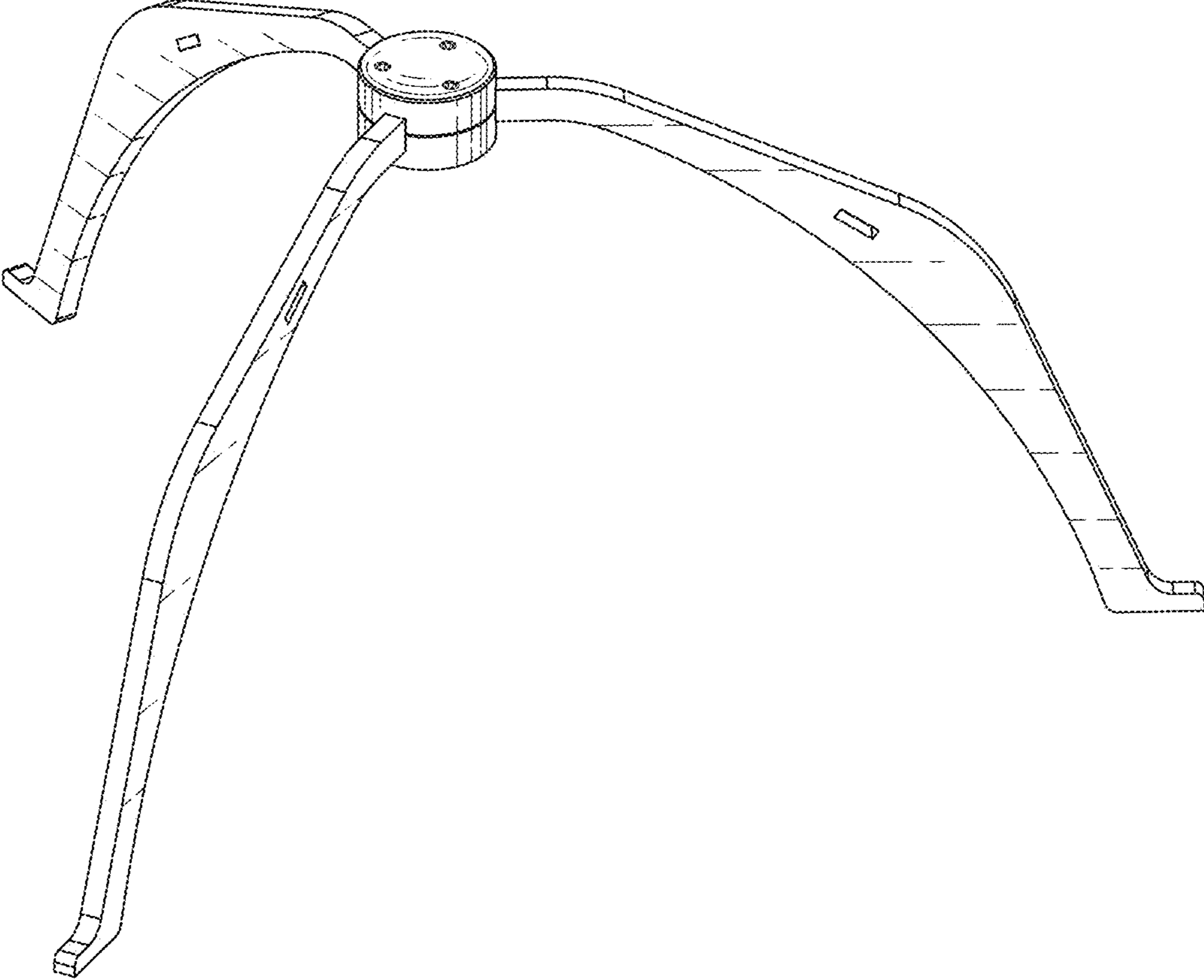


FIG. 1

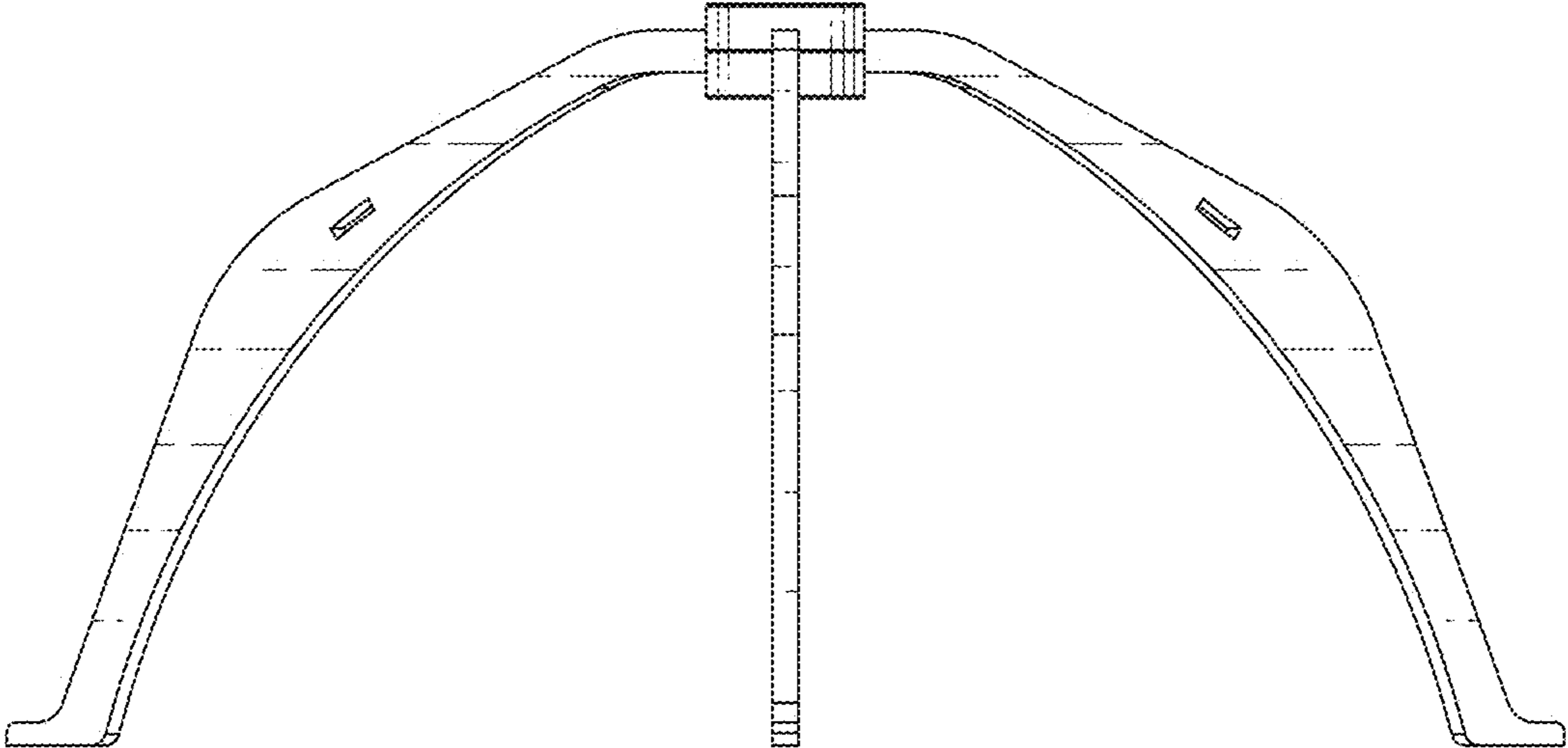


FIG. 2

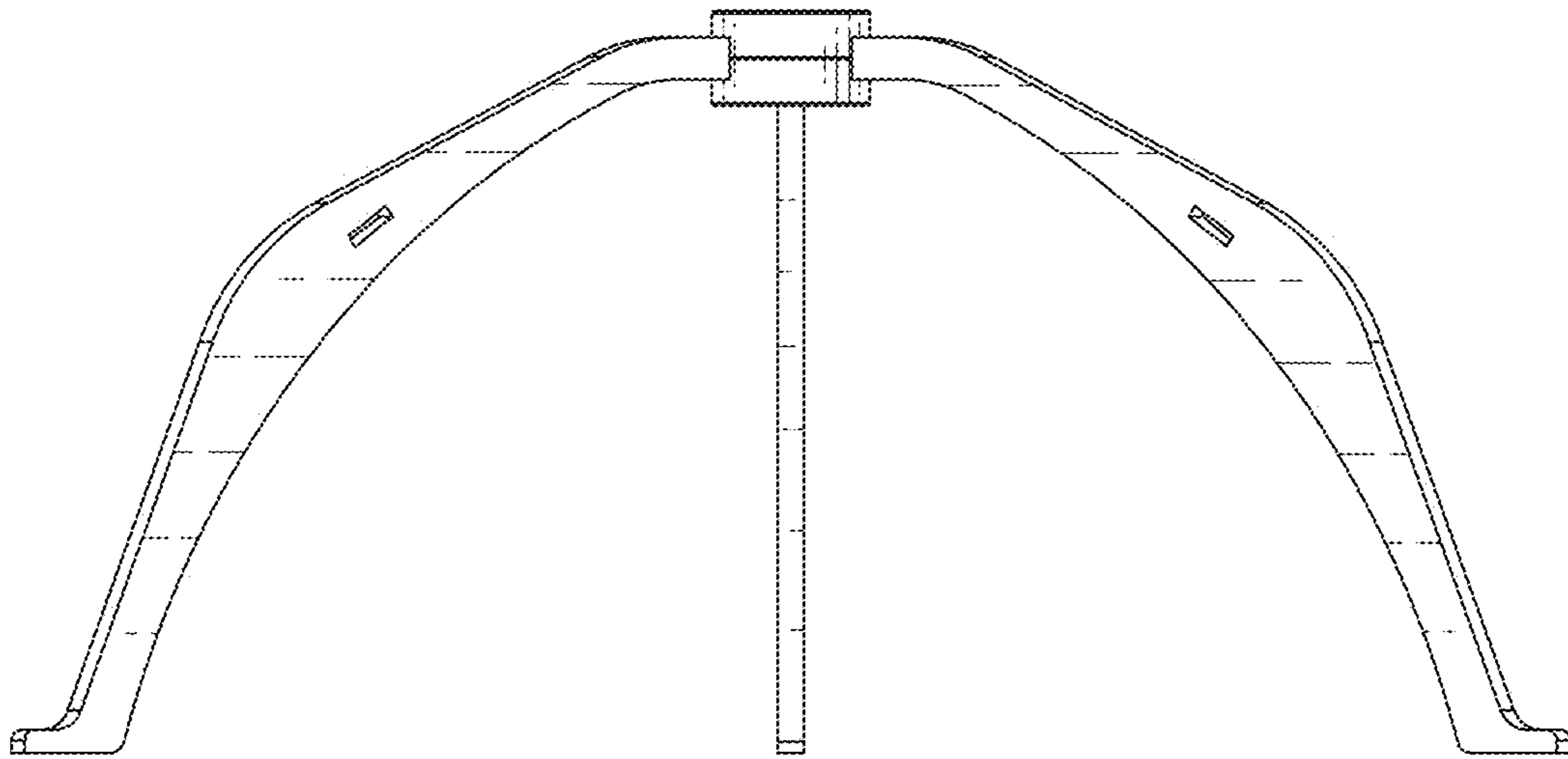


FIG. 3

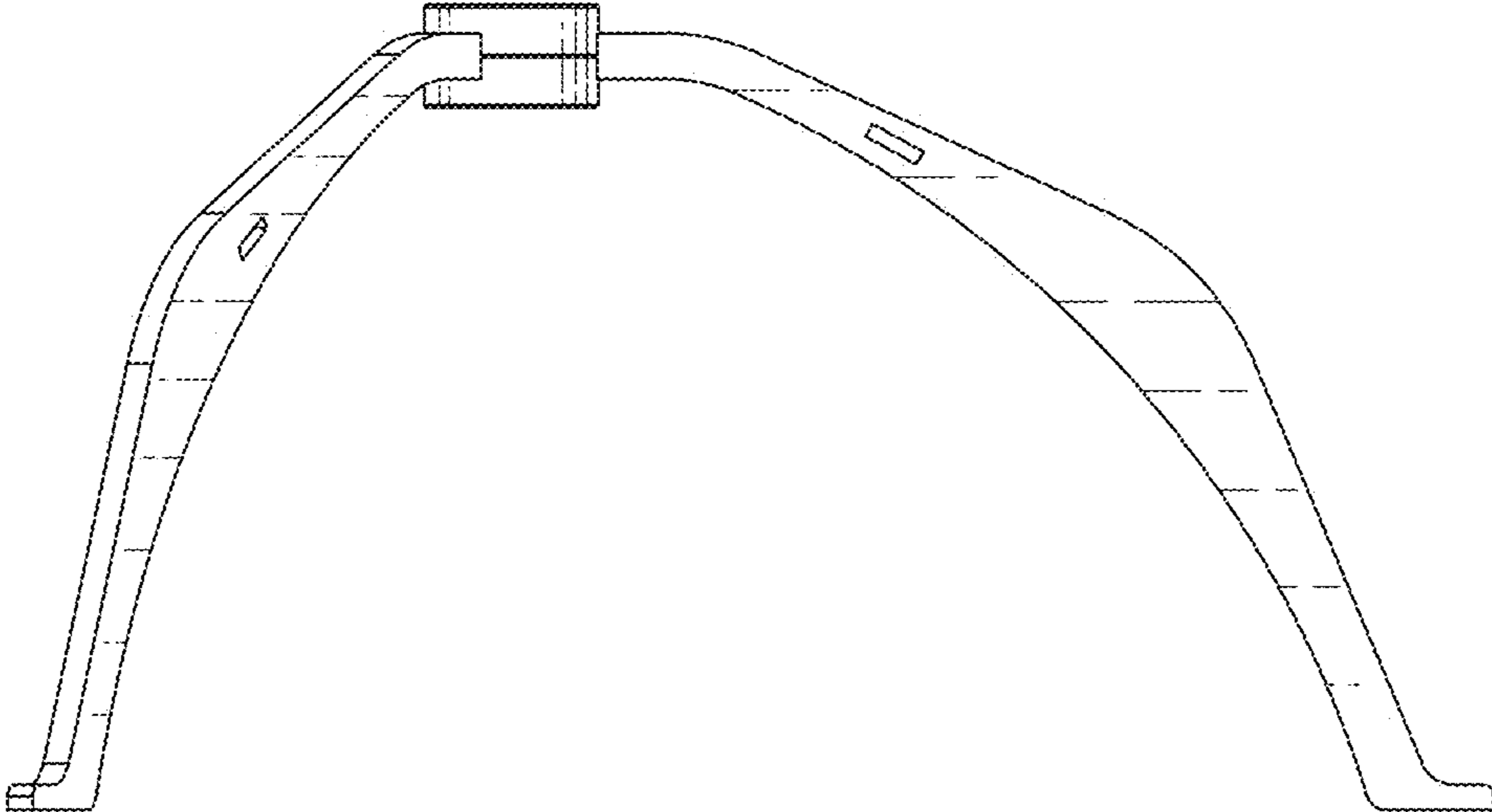


FIG. 4

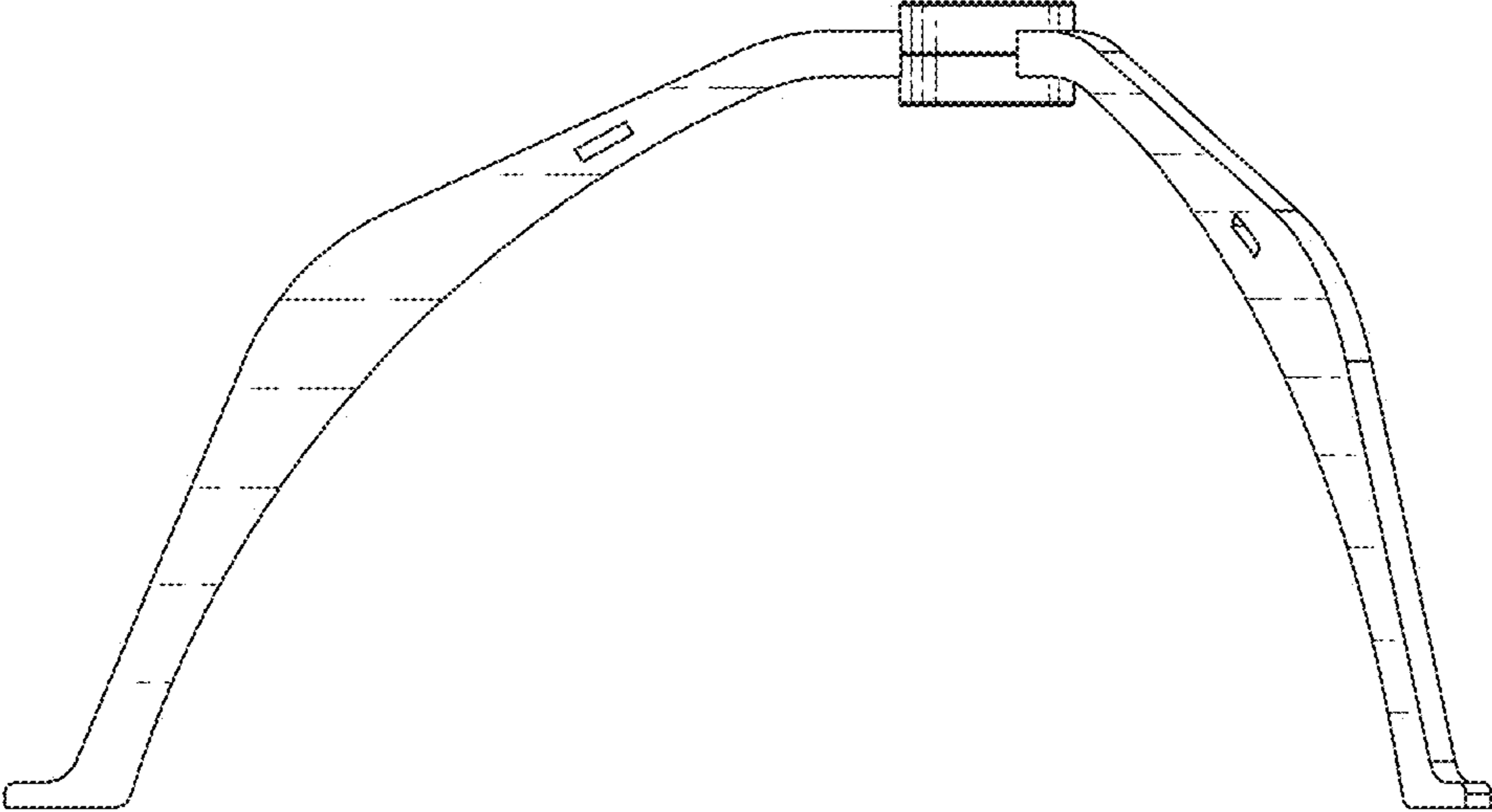


FIG. 5

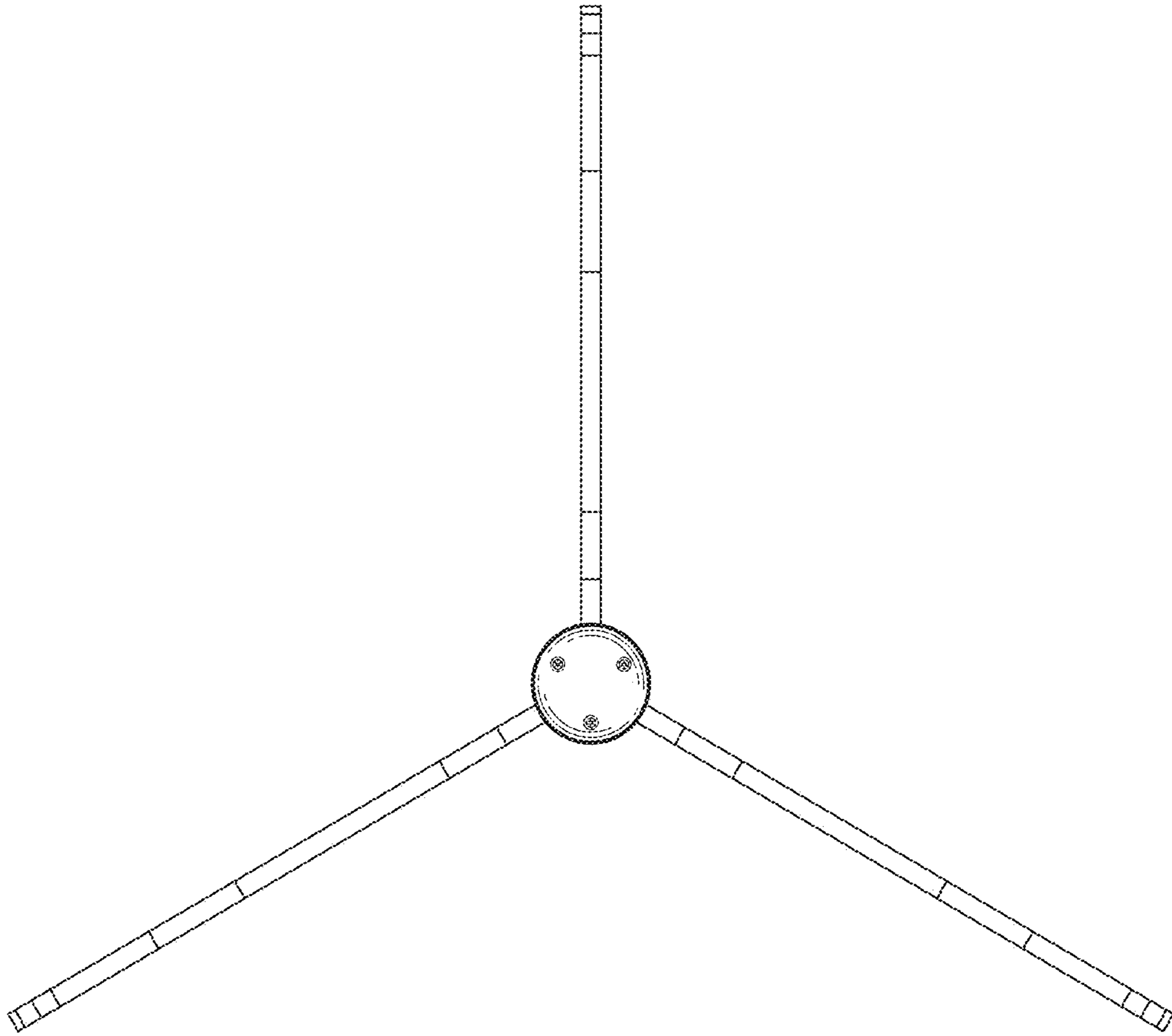


FIG. 6

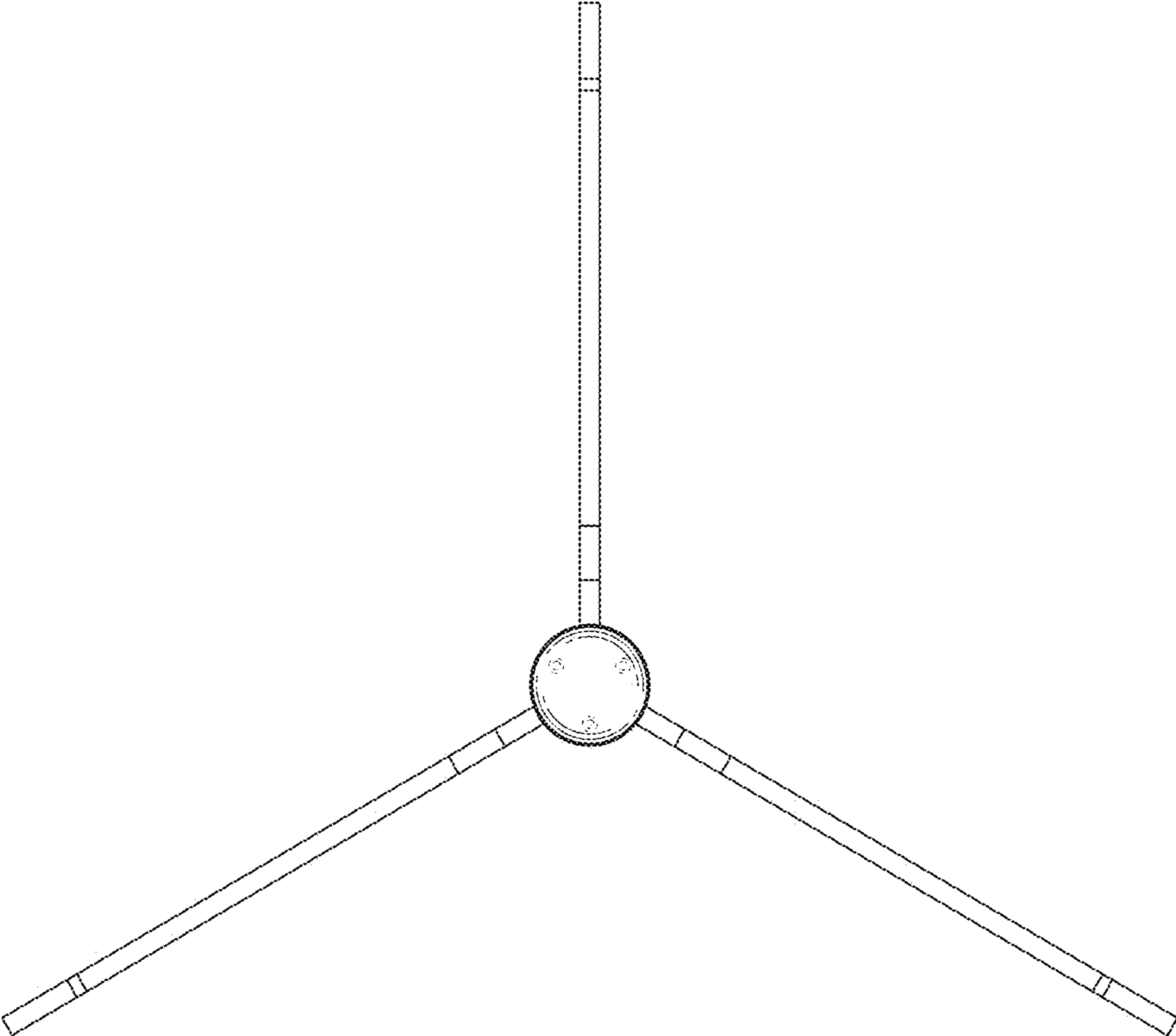


FIG. 7