

US00D964477S

(12) **United States Design Patent** (10) **Patent No.:** **US D964,477 S**  
**Lin** (45) **Date of Patent:** **\*\* Sep. 20, 2022**

(54) **BATH TOY**  
(71) Applicant: **Zhifei She**, Shantou (CN)  
(72) Inventor: **Maochuan Lin**, Shantou (CN)  
(\*\*) Term: **15 Years**  
(21) Appl. No.: **29/719,980**  
(22) Filed: **Jan. 9, 2020**  
(51) **LOC (13) Cl.** ..... **21-01**  
(52) **U.S. Cl.**  
USPC ..... **D21/473**  
(58) **Field of Classification Search**  
USPC ..... D21/398, 401, 455, 468, 472, 473, 474,  
D21/483, 493, 506, 507, 525, 526, 528,  
D21/532, 542, 545, 543, 576, 585, 592,  
D21/811; D23/200-202, 205-209, 211,  
D23/212, 213-215, 222, 233, 241, 278,  
D23/295-298, 303, 499  
CPC .. A63H 23/00-16; A63H 29/10; A63H 29/12;  
A63H 29/14; A63H 33/00; A63H 33/26;  
A63H 33/28; A63H 33/30; A63H  
33/3022; A63H 33/3038; A63H 33/3055;  
A63H 33/3061; A63H 33/3072; A63H  
33/42  
See application file for complete search history.

D675,679 S \* 2/2013 Soriano ..... D21/398  
D695,846 S \* 12/2013 Oren ..... D21/398  
D776,765 S \* 1/2017 Weisman ..... D21/608  
D819,748 S \* 6/2018 Luk ..... D21/398  
D851,179 S \* 6/2019 Kao ..... D21/473  
10,596,477 B1 \* 3/2020 Whipple, Jr. .... A63H 33/26  
10,870,064 B1 \* 12/2020 Standing ..... A63H 33/26  
D909,493 S \* 2/2021 Park ..... D21/493  
D923,109 S \* 6/2021 Fang ..... D21/473  
D928,885 S \* 8/2021 Heine ..... D21/398  
2016/0296851 A1 \* 10/2016 Udairaj ..... A63H 33/26  
2017/0095744 A1 \* 4/2017 Smolek ..... A63H 3/02  
2018/0066641 A1 \* 3/2018 McCafferty ..... A63H 33/00  
2018/0099226 A1 \* 4/2018 Villano ..... A63H 3/28  
2019/0022545 A1 \* 1/2019 Gunawardana ..... A63H 33/26  
2019/0099688 A1 \* 4/2019 Umberger ..... A63H 5/00  
2019/0336404 A1 \* 11/2019 Gastie ..... A61J 17/02

\* cited by examiner

*Primary Examiner* — Mehri F Bajoul

(57) **CLAIM**

The ornamental design for a bath toy, as shown and described.

**DESCRIPTION**

FIG. 1 is a perspective view of a bath toy showing my new design;  
FIG. 2 is a front view thereof,  
FIG. 3 is a back view thereof;  
FIG. 4 is a left side view thereof;  
FIG. 5 is a right side view thereof;  
FIG. 6 is a top view thereof; and,  
FIG. 7 is a bottom view thereof.

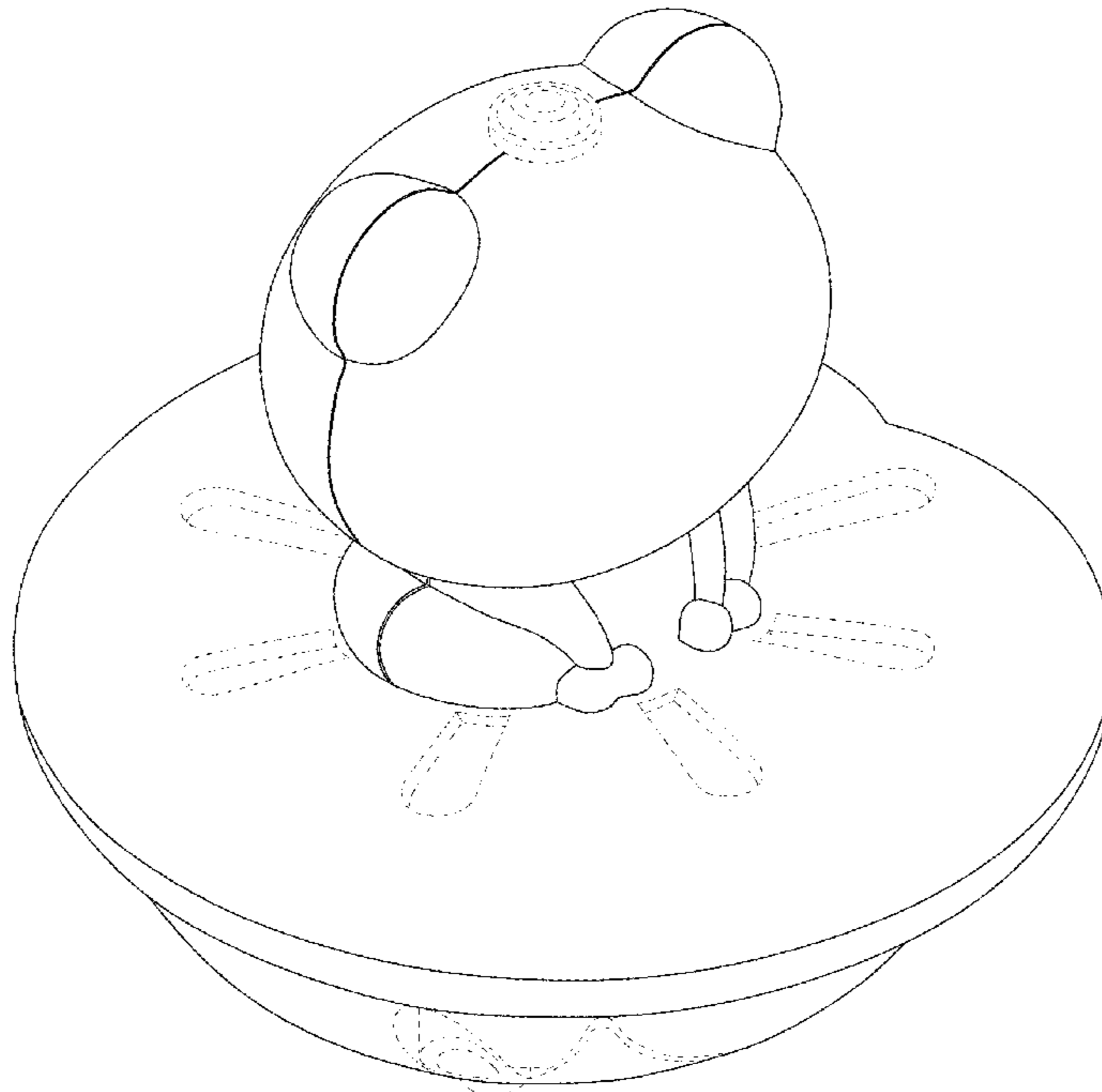
The evenly dashed broken lines shown in the drawings depict portions of the bath toy that form no part of the claimed design.

**1 Claim, 7 Drawing Sheets**

(56) **References Cited**

**U.S. PATENT DOCUMENTS**

D249,977 S \* 10/1978 Kilander ..... D21/473  
D279,308 S \* 6/1985 Marschak ..... D21/609  
D287,988 S \* 1/1987 Billingham ..... D21/468  
D311,552 S \* 10/1990 Kubiawicz ..... D21/473  
D359,078 S \* 6/1995 Bro ..... D21/474  
D599,415 S \* 9/2009 Gold ..... D21/473



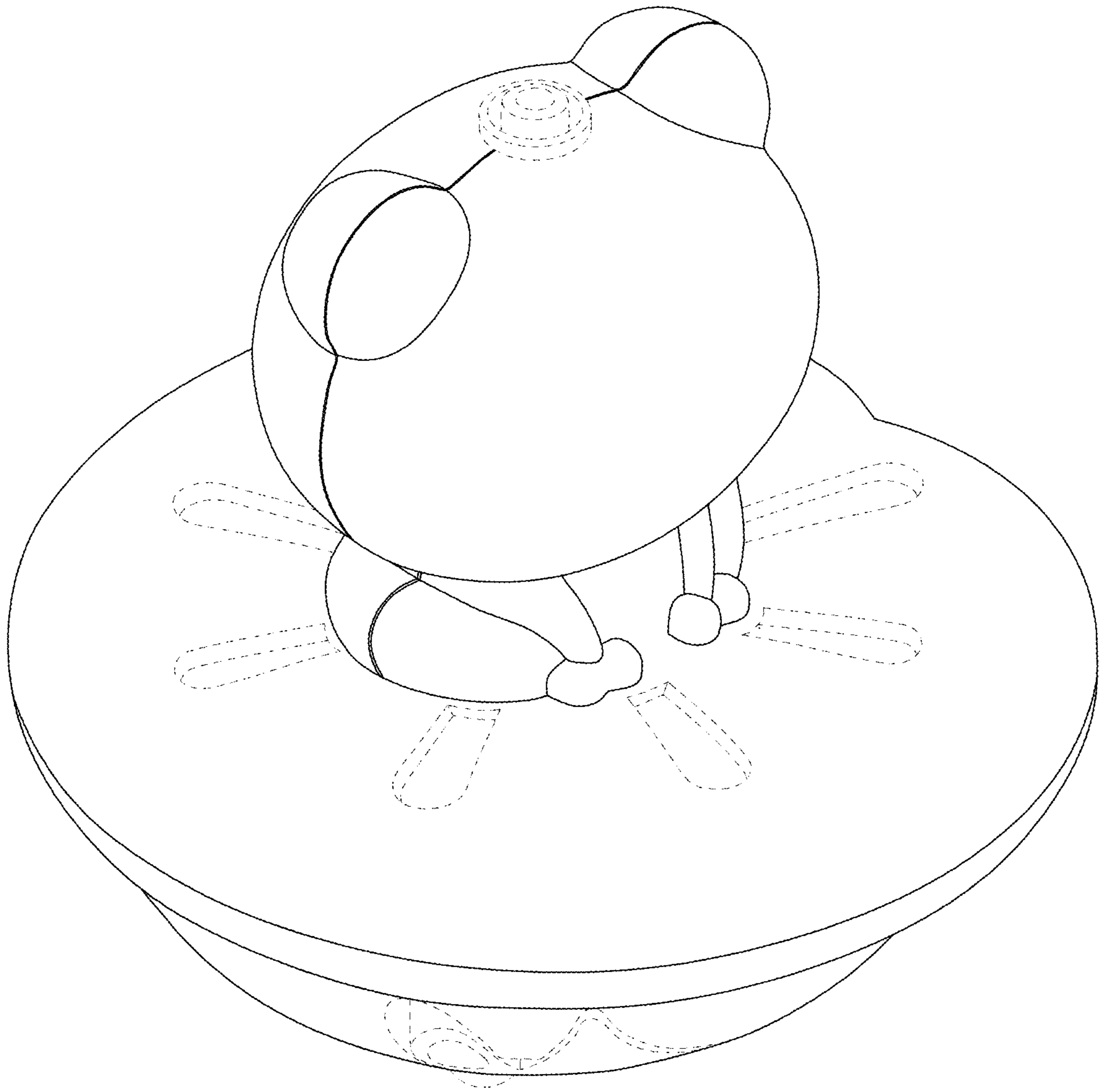


FIG. 1

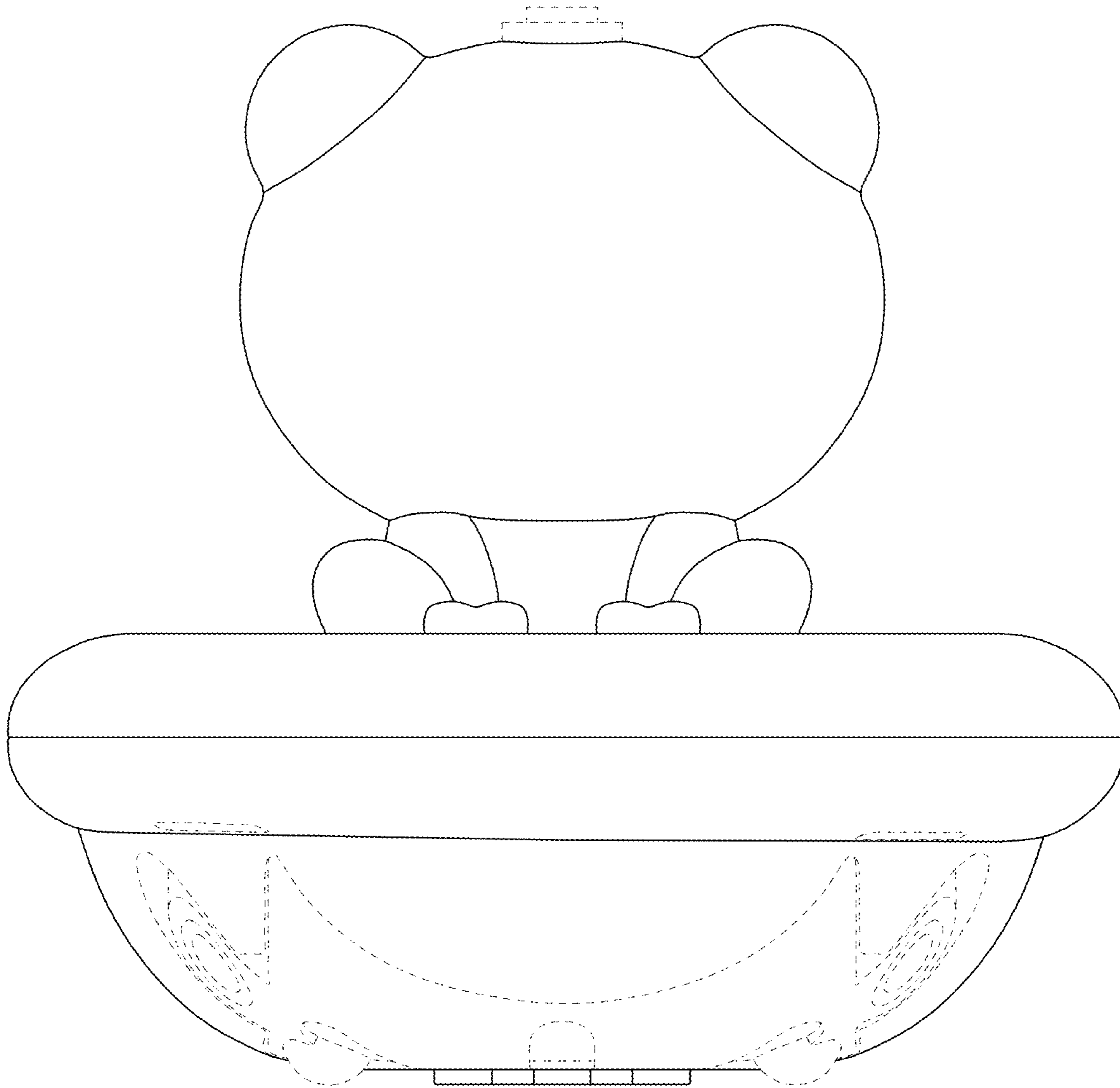


FIG. 2

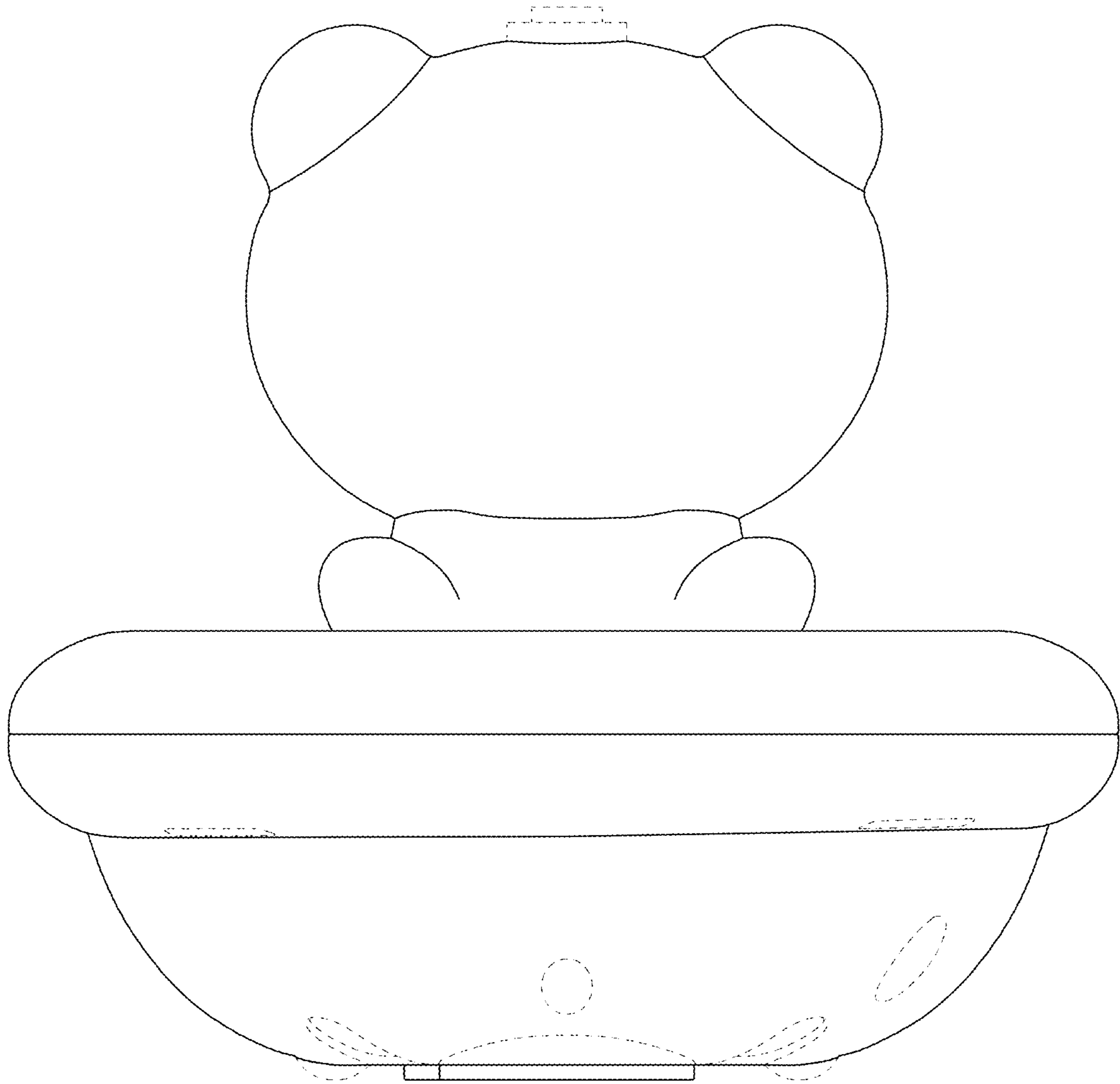


FIG. 3

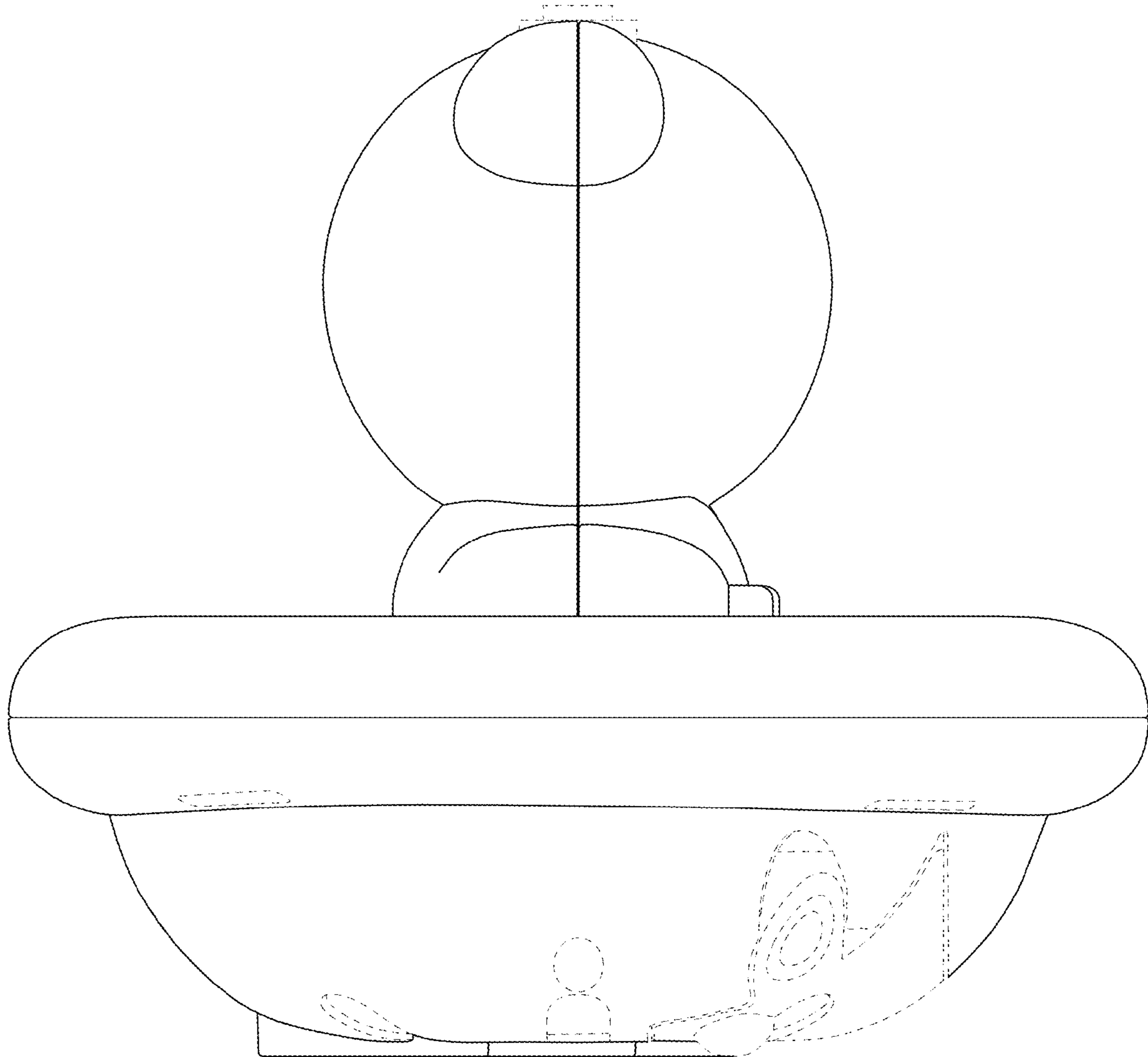


FIG. 4

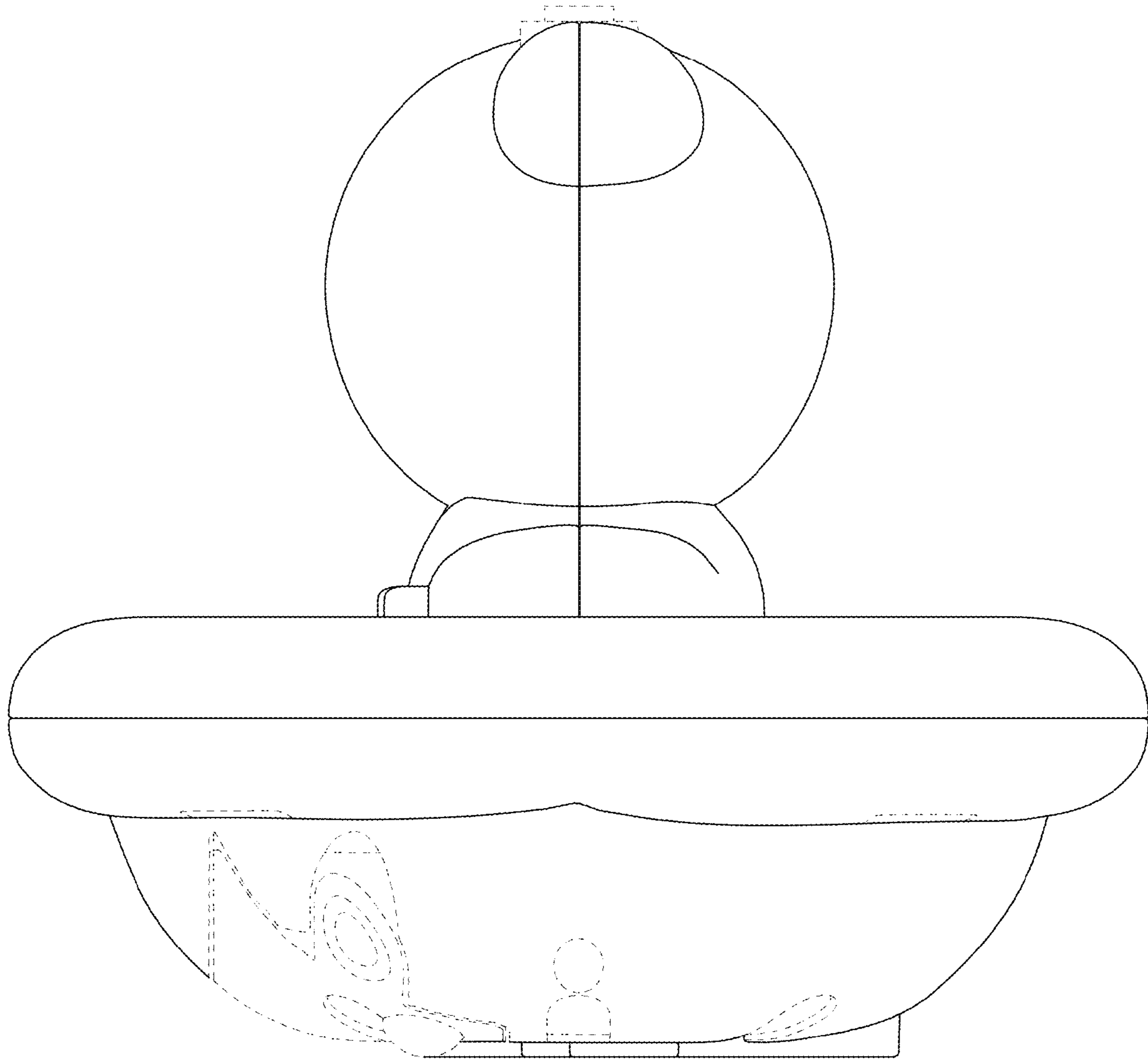


FIG. 5

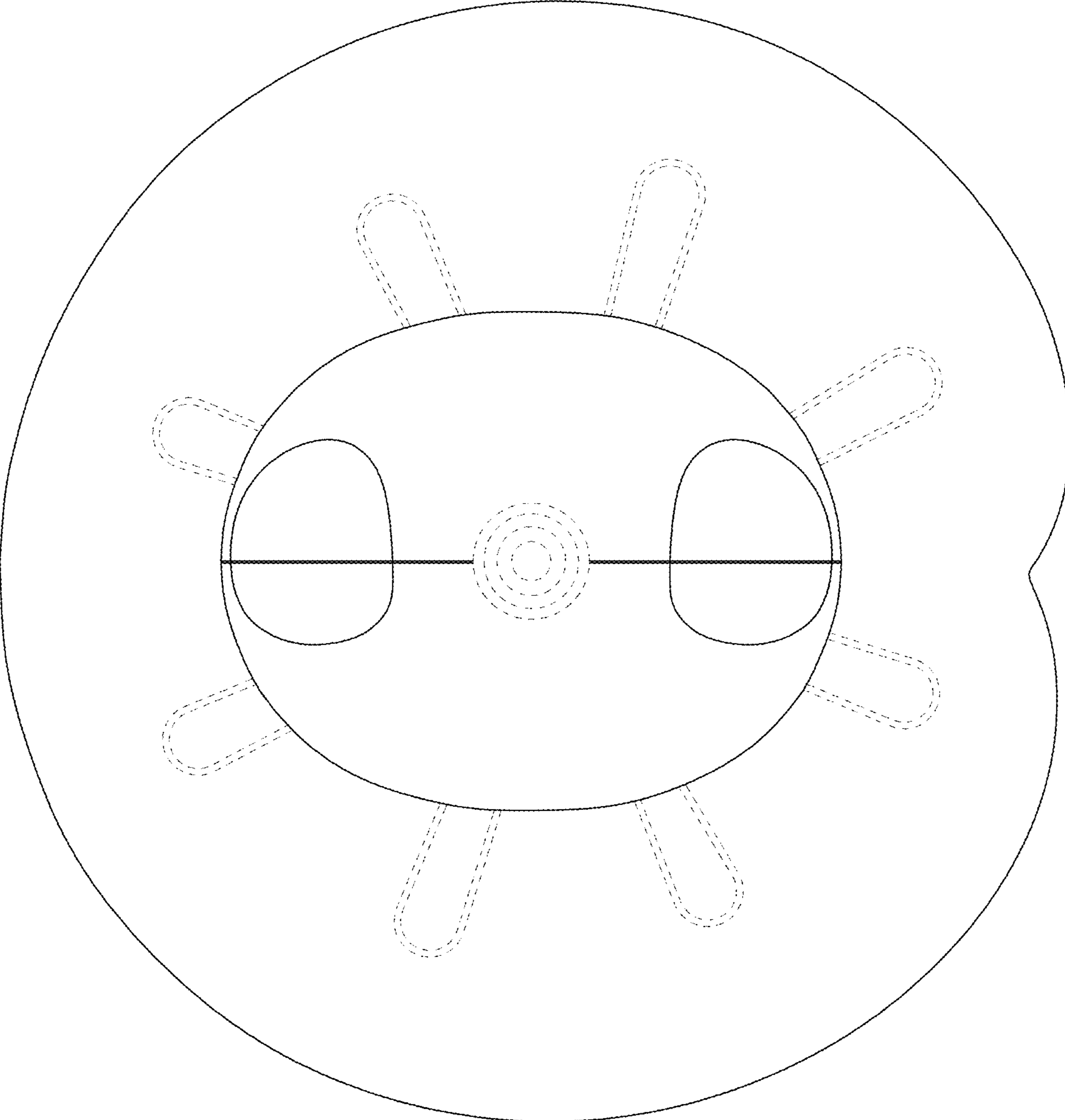


FIG. 6

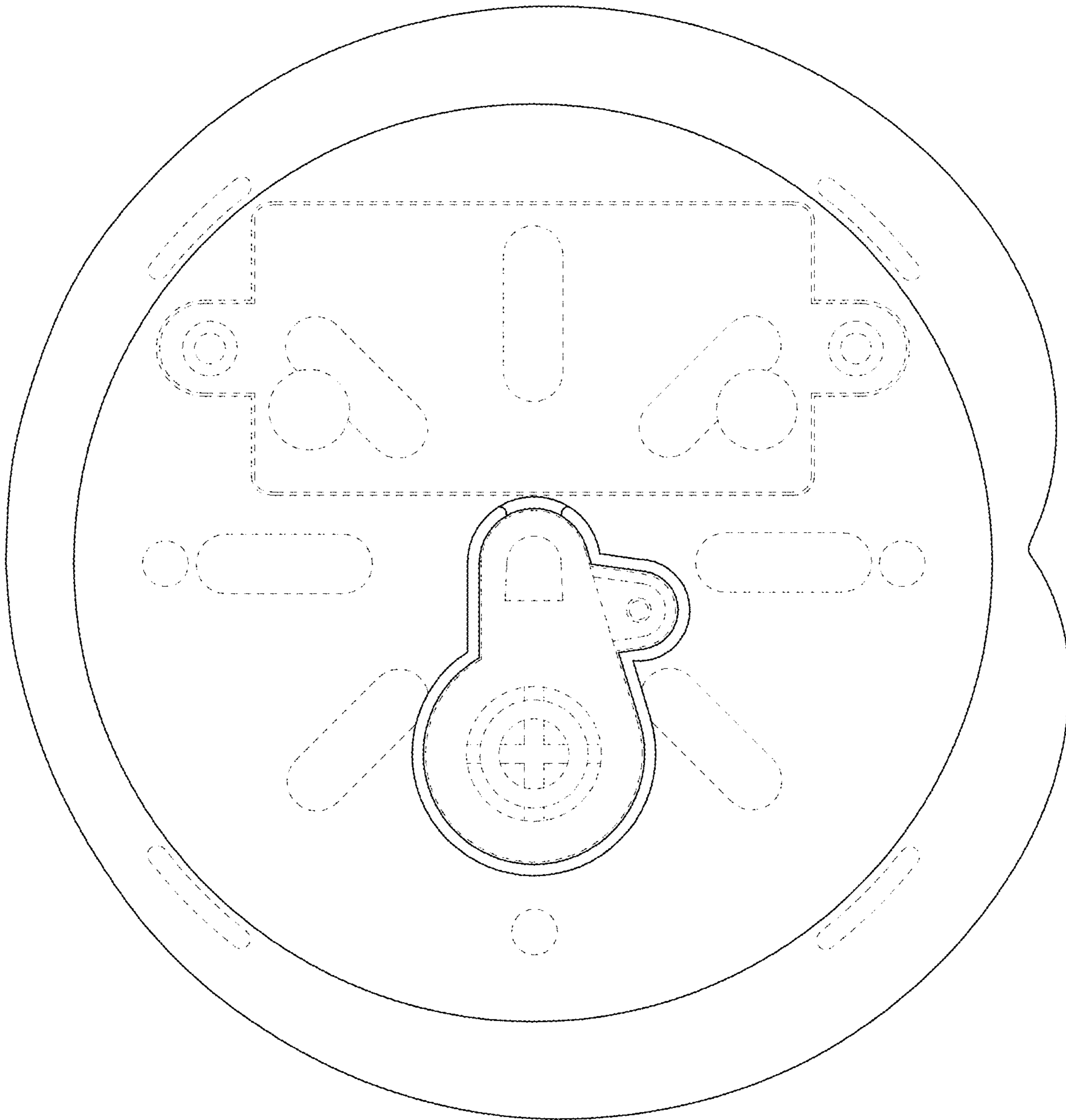


FIG. 7