



US00D964475S

(12) **United States Design Patent**
Schultheis et al.

(10) **Patent No.:** **US D964,475 S**
(45) **Date of Patent:** **** Sep. 20, 2022**

(54) **LAUNCHING APPARATUS FOR SPINNING TOP TOY**

FOREIGN PATENT DOCUMENTS

(71) Applicant: **TOMY COMPANY, LTD.**, Tokyo (JP)

GB 8205350000-1000 * 11/2019
WO WO-D213660-003 * 6/2021

(72) Inventors: **Douglas Arthur Schultheis**,
Cumberland, RI (US); **Makoto Muraki**,
Tokyo (JP); **Hiroyuki Hama**, Tokyo
(JP)

OTHER PUBLICATIONS

New Hasbro Sparking Launcher, available on YouTube, date posted Feb. 3, 2021, [site visited Nov. 9, 2021], available URL: <https://www.youtube.com/watch?v=cyiErGeRrxU> (Year: 2021).*

(73) Assignee: **TOMY COMPANY, LTD.**, Tokyo (JP)

(Continued)

(**) Term: **15 Years**

Primary Examiner — Dana K Weiland
Assistant Examiner — Emily Anna Saunders
(74) *Attorney, Agent, or Firm* — Oliff PLC

(21) Appl. No.: **29/753,292**

(22) Filed: **Sep. 30, 2020**

(51) **LOC (13) Cl.** **21-01**

(52) **U.S. Cl.**
USPC **D21/461**

(58) **Field of Classification Search**
USPC D21/454, 459, 455, 460–464, 561, 566,
D21/570
CPC .. A63H 1/00–10; A63H 1/12; A63H 1/22–26;
A63H 17/008; A63H 27/14; A63H 29/24;
A63F 9/16
See application file for complete search history.

(57) **CLAIM**

The ornamental design for a launching apparatus for spinning top toy, as shown and described.

DESCRIPTION

FIG. 1 is a front elevational view of the launching apparatus for spinning top toy, showing the new design; FIG. 2 is a rear elevational view thereof; FIG. 3 is a left-side elevational view thereof; FIG. 4 is a right-side elevational view thereof; FIG. 5 is a top plan view thereof; FIG. 6 is a bottom plan view thereof; FIG. 7 is a front, right-side, top perspective view thereof; FIG. 8 is a rear, left-side, bottom perspective view thereof; FIG. 9 is a front, right-side, top disassembled perspective view thereof; and, FIG. 10 is a cross-sectional view taken along the line 10-10 in FIG. 5. The broken lines depict parts of the launching apparatus for spinning top toy that form no part of the claimed design.

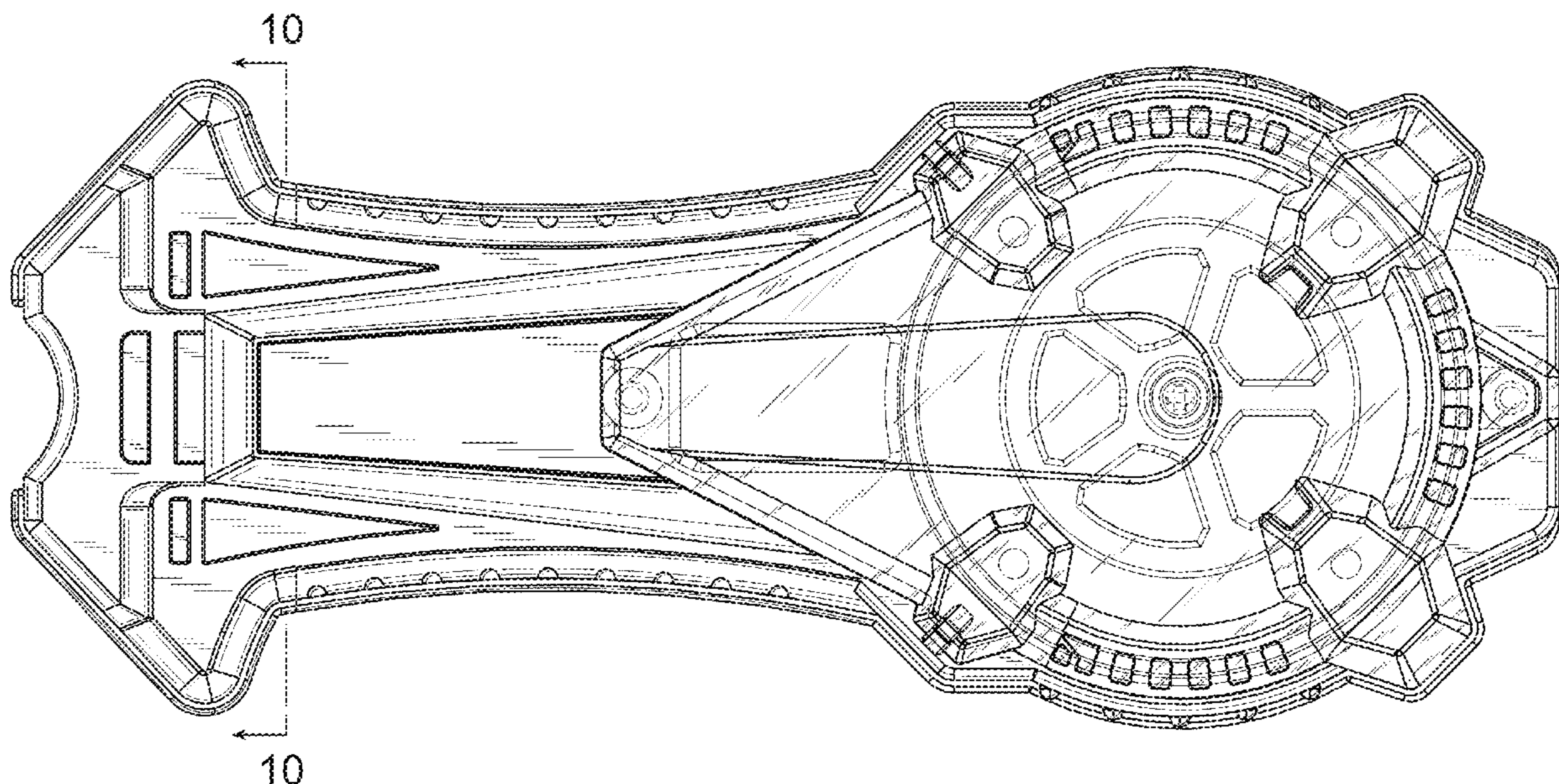
(56) **References Cited**

U.S. PATENT DOCUMENTS

3,224,142	A	*	12/1965	Pawelka	A63H 1/02
						446/138
3,473,256	A	*	10/1969	Tyler	A63H 27/14
						446/38
D610,210	S	*	2/2010	Nishimoto	D21/461
D675,263	S	*	1/2013	Gonzalez	D21/461
D790,635	S	*	6/2017	Horikoshi	D21/461
D816,781	S	*	5/2018	Horikoshi	D21/461
D838,784	S	*	1/2019	Saito	D21/461
D842,936	S	*	3/2019	Shindo	D21/461

(Continued)

1 Claim, 10 Drawing Sheets



(56)

References Cited

U.S. PATENT DOCUMENTS

D852,895 S	*	7/2019	Saito	D21/461
D868,903 S	*	12/2019	Paolino, Jr.	D21/461
D877,261 S	*	3/2020	Schultheis	D21/461
D878,482 S	*	3/2020	Hama	D21/461
D908,176 S	*	1/2021	Schultheis	D21/461
D949,245 S	*	4/2022	Muraki	D21/461

OTHER PUBLICATIONS

Best Beyblade Launcher 2021 Review, available on trimrylands.com, [site visited Nov. 9, 2021], available URL: <https://www.trimrylands.com/best-beyblade-launcher/> (Year: 2021).*

Beyblade Burst Surge Speedstorm Spark Power Set, available on kohls.com, oldest customer review Feb. 2021, available URL: <https://www.kohls.com/product/prd-4855160/> (Year: 2021).*

Beyblade Burst Surge Speedstorm Spark Power Set, available on Amazon.com, release date Dec. 1, 2020, available URL: <https://www.amazon.com/BEYBLADE-Speedstorm-Sparking-Launcher-Right-Spin/dp/B08MJGR29/> (Year: 2020).*

* cited by examiner

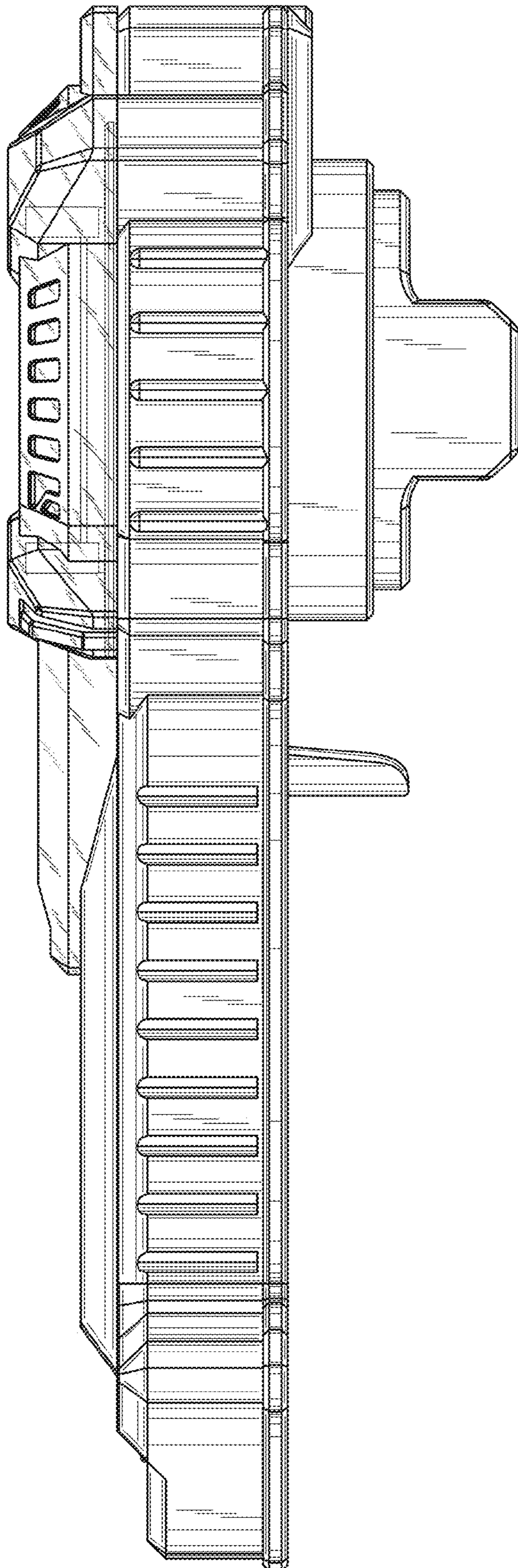


FIG. 1

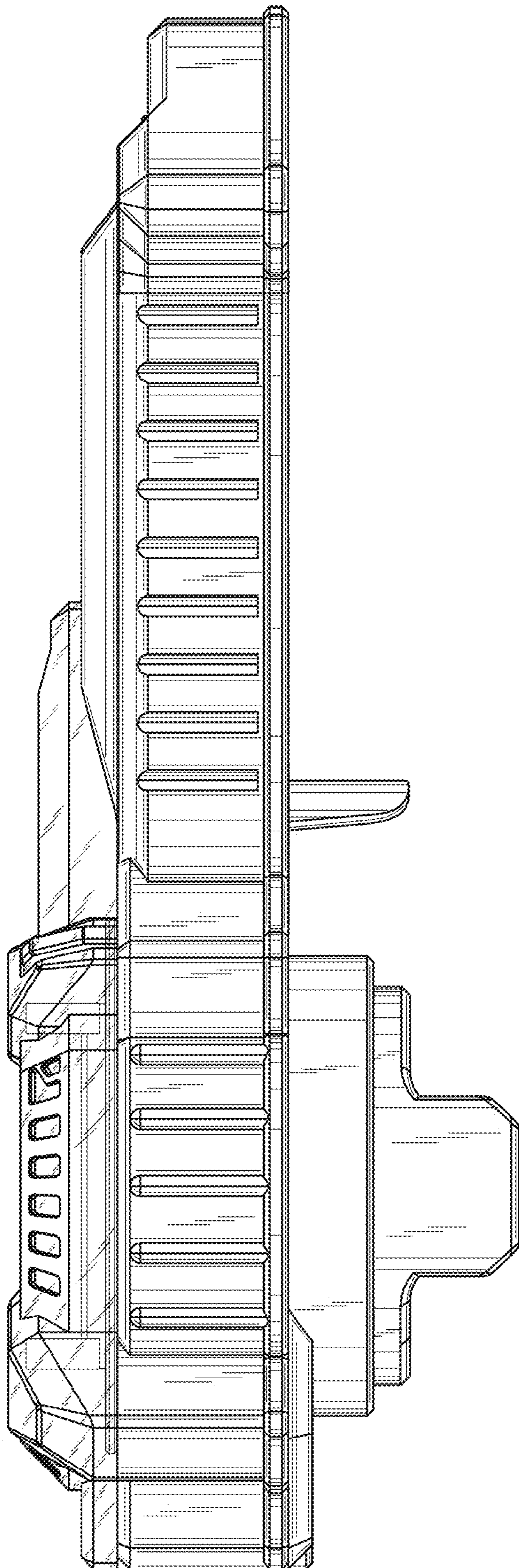


FIG. 2

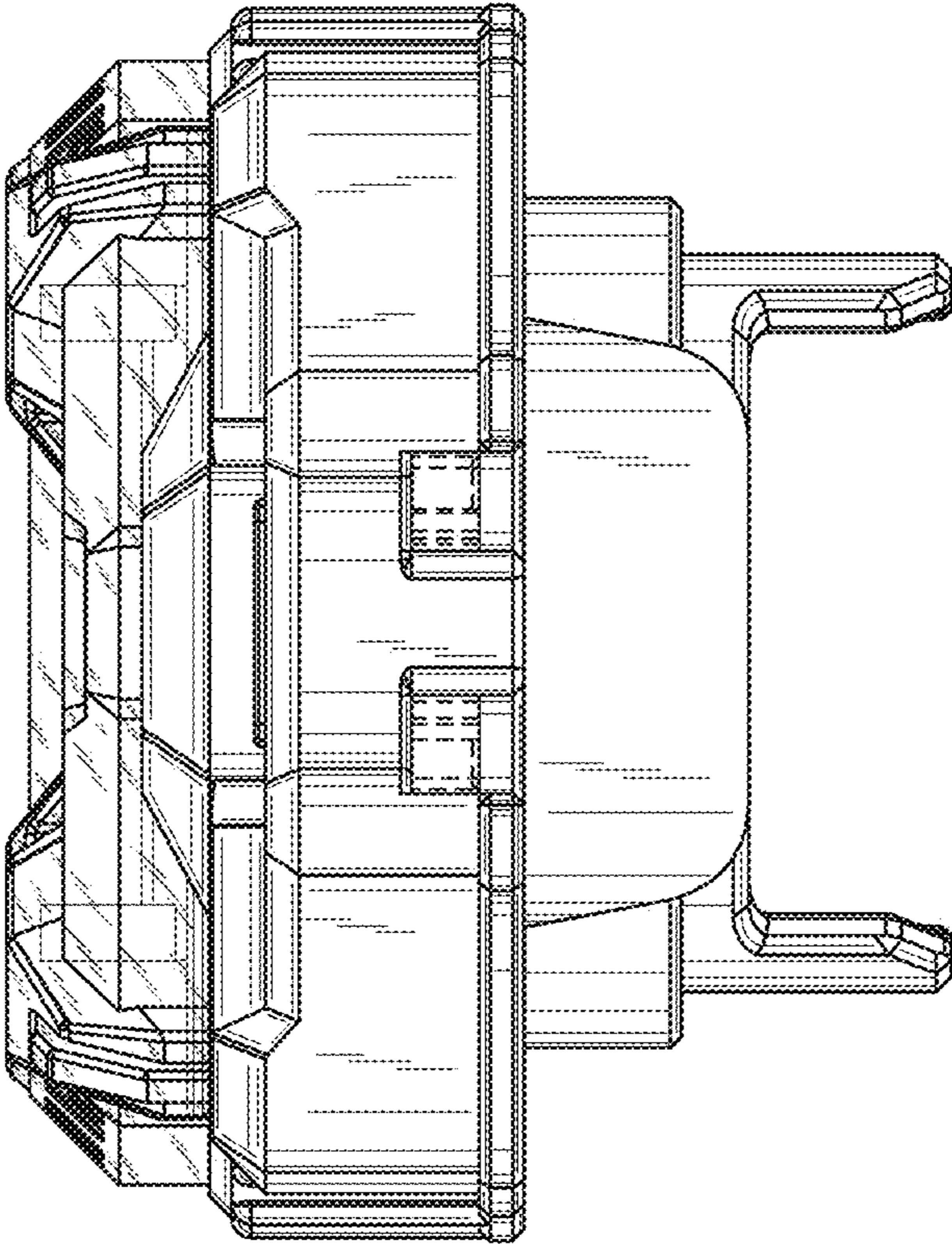


FIG. 3

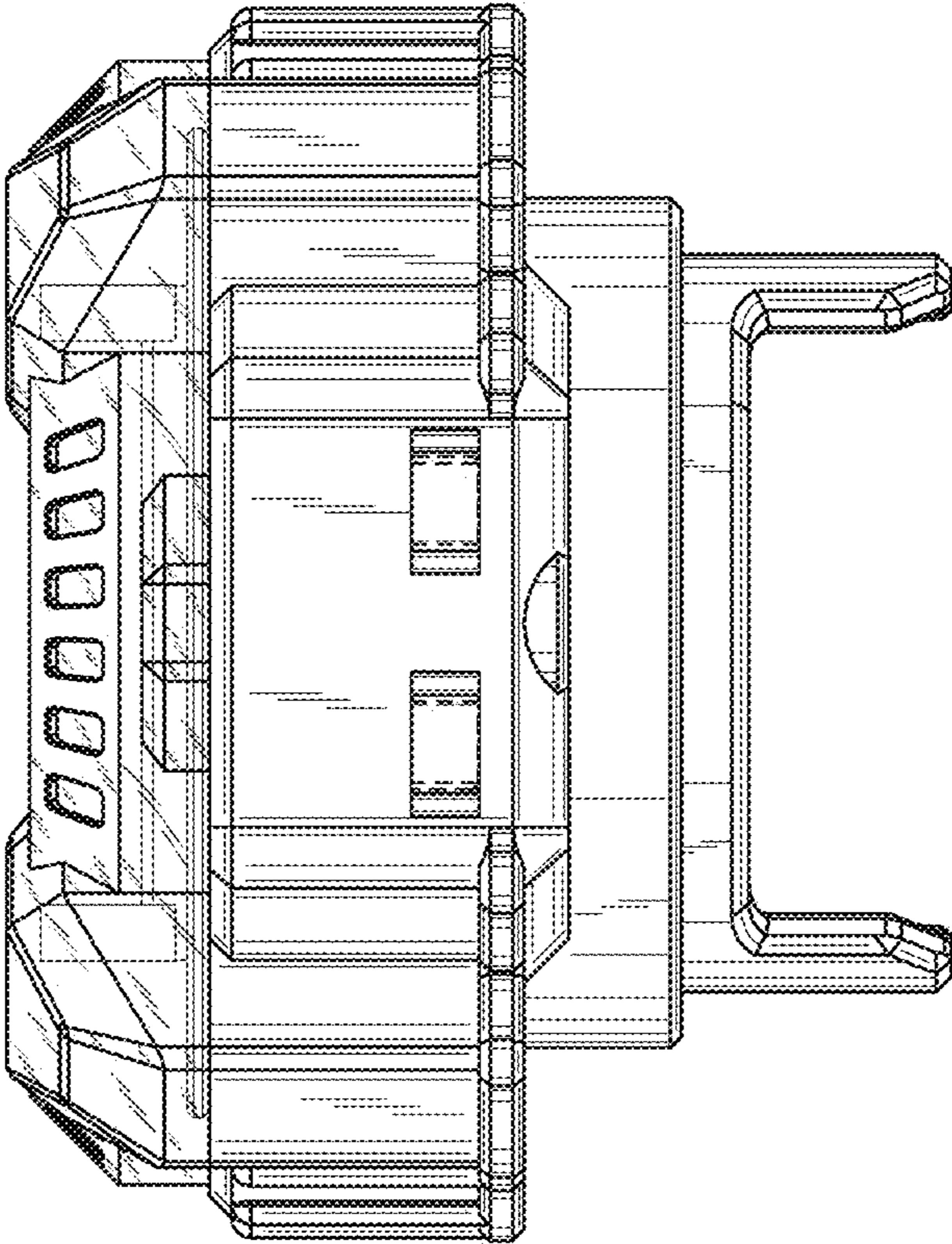


FIG. 4

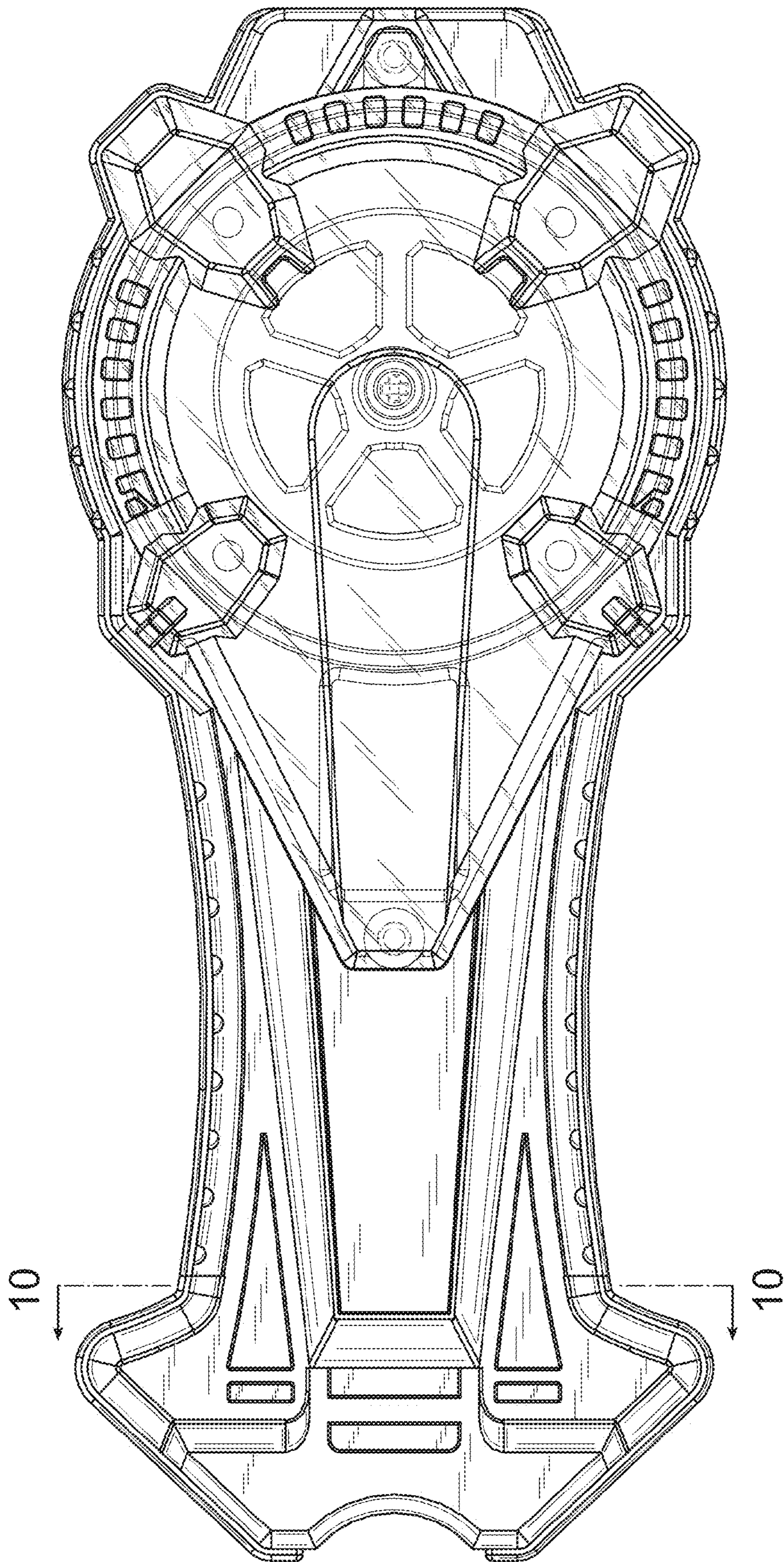


FIG. 5

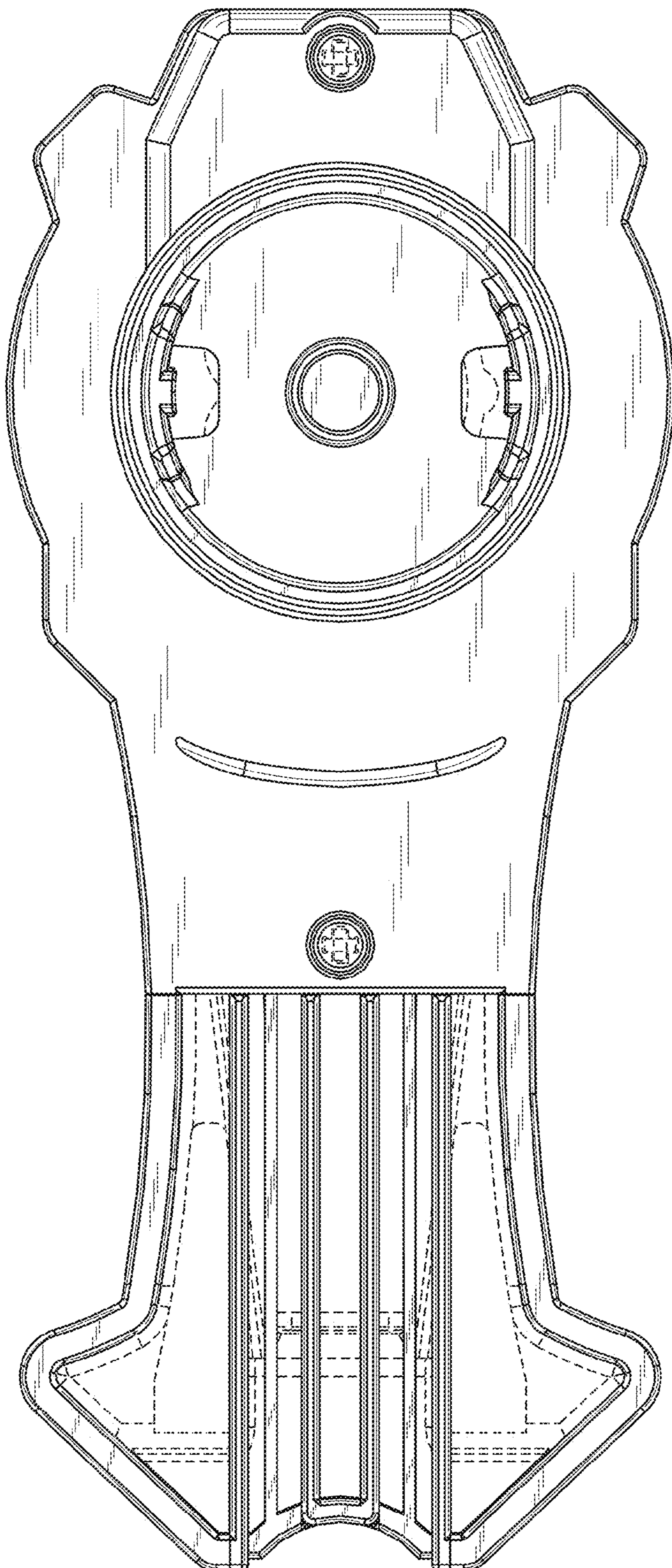


FIG. 6

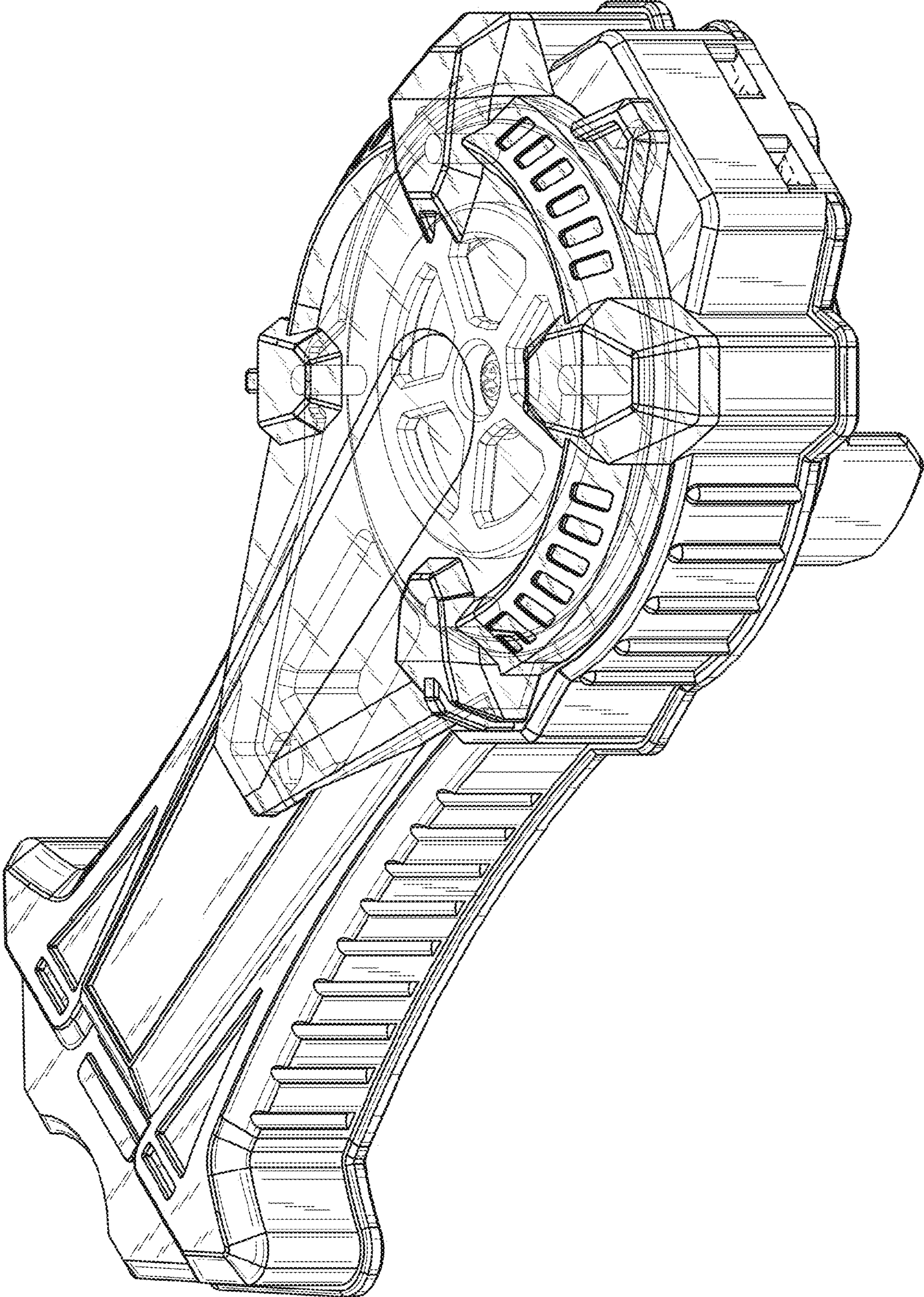


FIG. 7

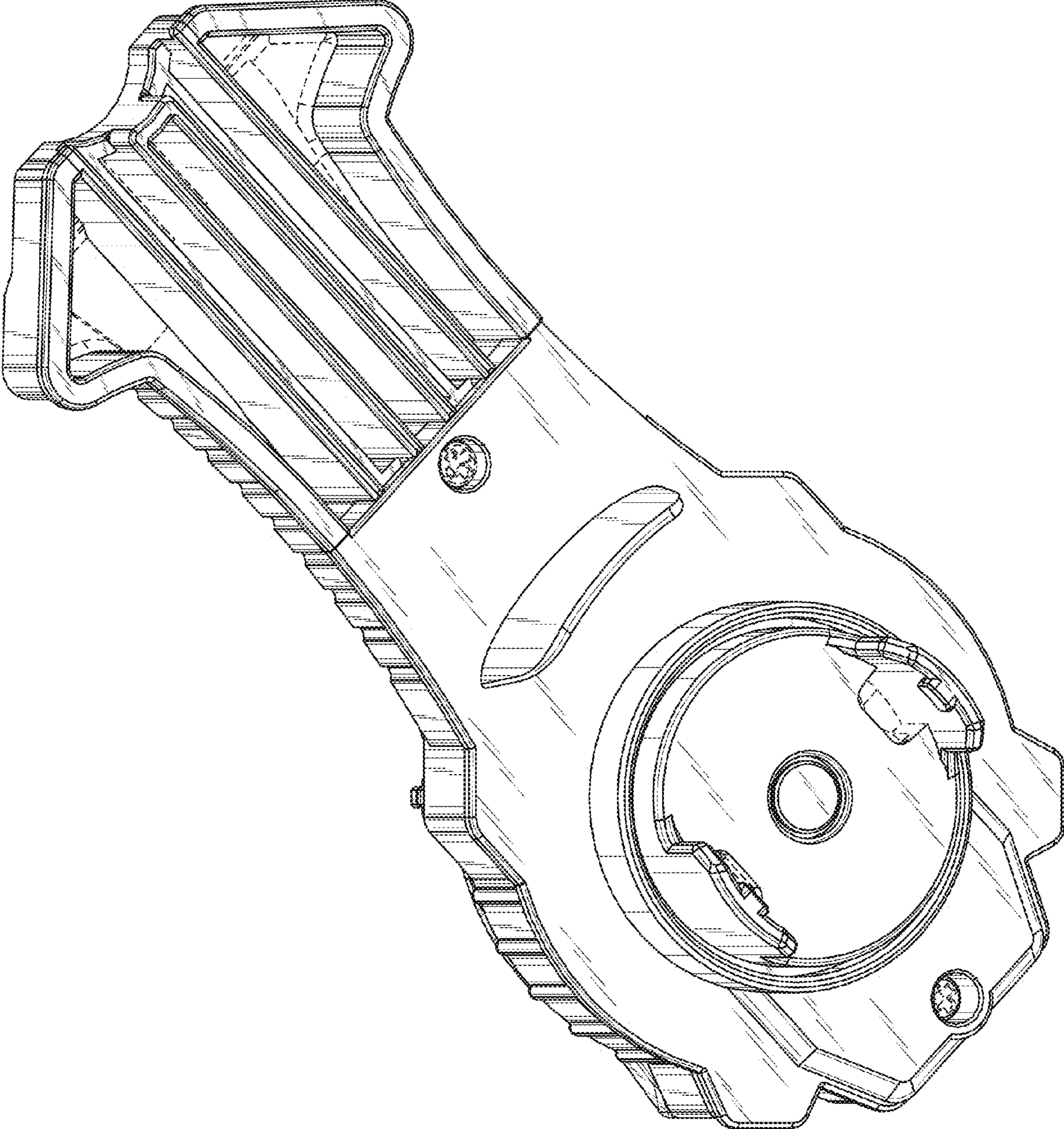


FIG. 8

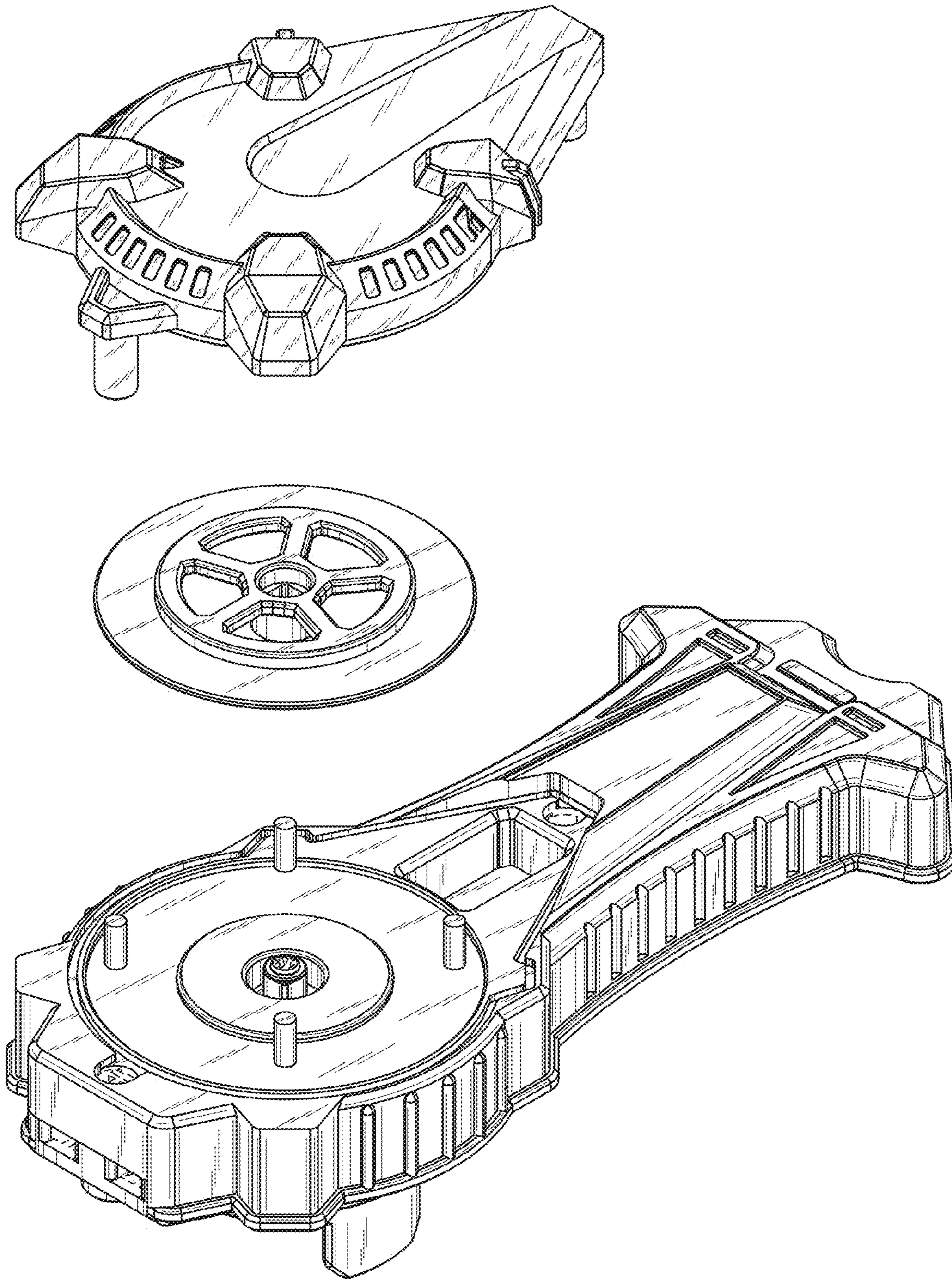


FIG. 9

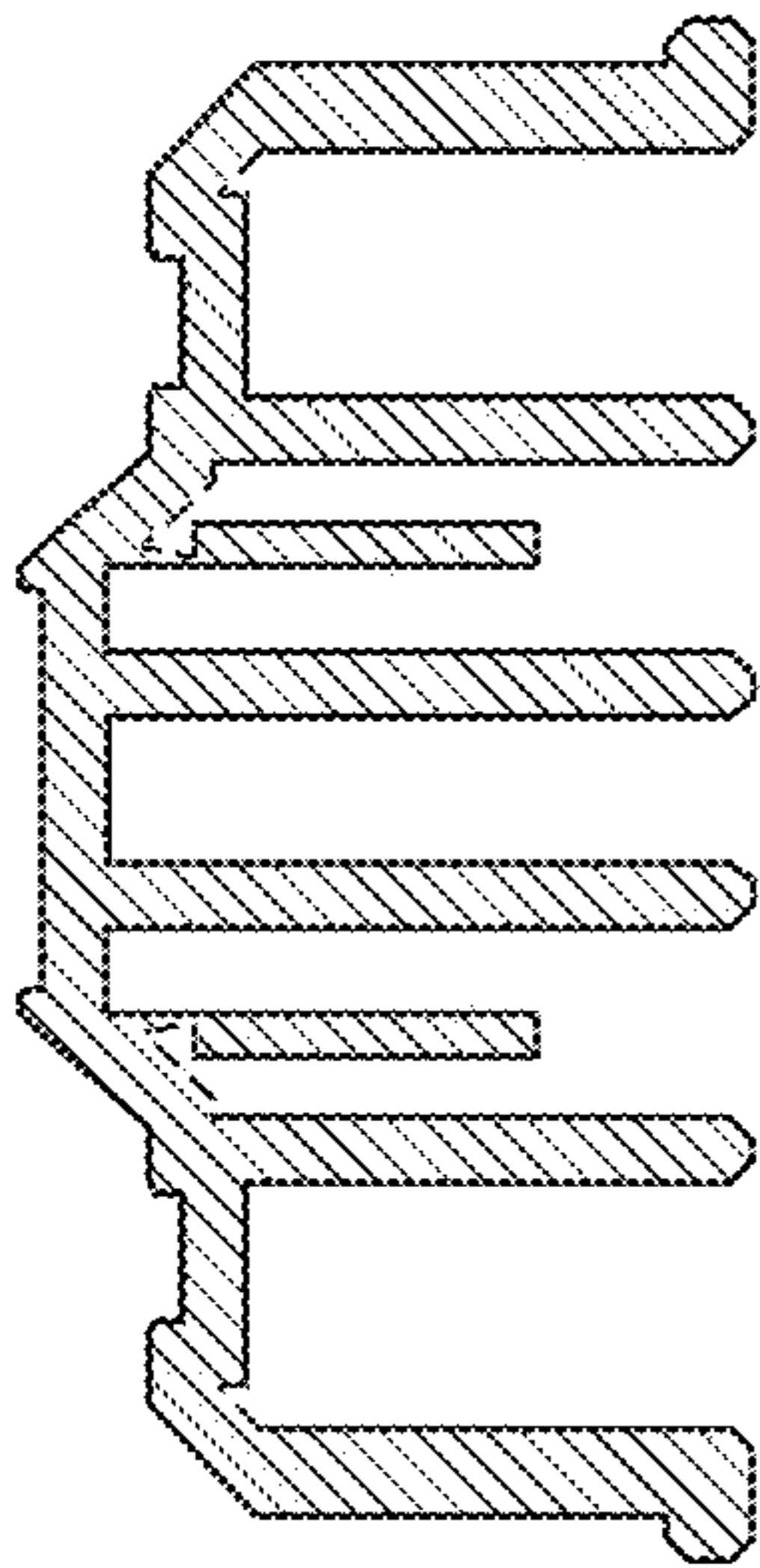


FIG. 10