

US00D964473S

(12) **United States Design Patent** (10) **Patent No.:** **US D964,473 S**  
**Lu** (45) **Date of Patent:** **\*\* Sep. 20, 2022**

(54) **ELECTRIC SCOOTER**  
(71) Applicant: **Zhejiang Okai Vehicle Co., Ltd.**,  
Lishui (CN)

(72) Inventor: **Jiangtao Lu**, Lishui (CN)

(73) Assignee: **ZHEJIANG OKAI VEHICLE CO., LTD.**, Lishui (CN)

(\*\*) Term: **15 Years**

(21) Appl. No.: **29/736,349**

(22) Filed: **May 29, 2020**

(30) **Foreign Application Priority Data**

Apr. 8, 2020 (CN) ..... 202030133993.6

(51) **LOC (13) Cl.** ..... **21-01**

(52) **U.S. Cl.**  
USPC ..... **D21/423**

(58) **Field of Classification Search**  
USPC ..... D21/419, 421, 423, 760, 765, 771;  
D12/1, 8, 107, 110, 112-114  
CPC . B62K 3/002; B62K 9/00; B62K 9/02; B62K  
2202/00; B62K 13/00; B62K 11/00;  
B62K 11/02; B62K 11/06; B62K 11/10;  
B62K 15/00; B62K 17/00; B60Y  
2200/126; H04W 4/40

See application file for complete search history.

(56) **References Cited**

**U.S. PATENT DOCUMENTS**

D877,257 S \* 3/2020 Cao ..... B62M 6/45  
D21/423  
D877,258 S \* 3/2020 Cao ..... B62L 1/00  
D21/423  
D897,446 S \* 9/2020 Lee ..... D21/423  
D911,456 S \* 2/2021 Yu ..... D21/423

D911,457 S \* 2/2021 Yu ..... D21/423  
D914,103 S \* 3/2021 Cao ..... D21/423  
D916,985 S \* 4/2021 Wu ..... D21/423  
D922,306 S \* 6/2021 Dongfang ..... D12/423  
D923,103 S \* 6/2021 Zheng ..... D21/423

(Continued)

**FOREIGN PATENT DOCUMENTS**

CN 303684781 \* 5/2016 ..... B62K 3/002  
CN 111703528 A \* 9/2020

(Continued)

**OTHER PUBLICATIONS**

“E-scooter company Unicorn goes bust after spending big on Facebook ads,” Dec. 9, 2019, [bbc.com](https://www.bbc.com/news/technology-50713723), site visited Aug. 23, 2021, URL: <https://www.bbc.com/news/technology-50713723> (Year: 2019).\*

(Continued)

*Primary Examiner* — Eric L Goodman  
*Assistant Examiner* — Sarah L Smith  
(74) *Attorney, Agent, or Firm* — Muncy, Geissler, Olds & Lowe, P.C.

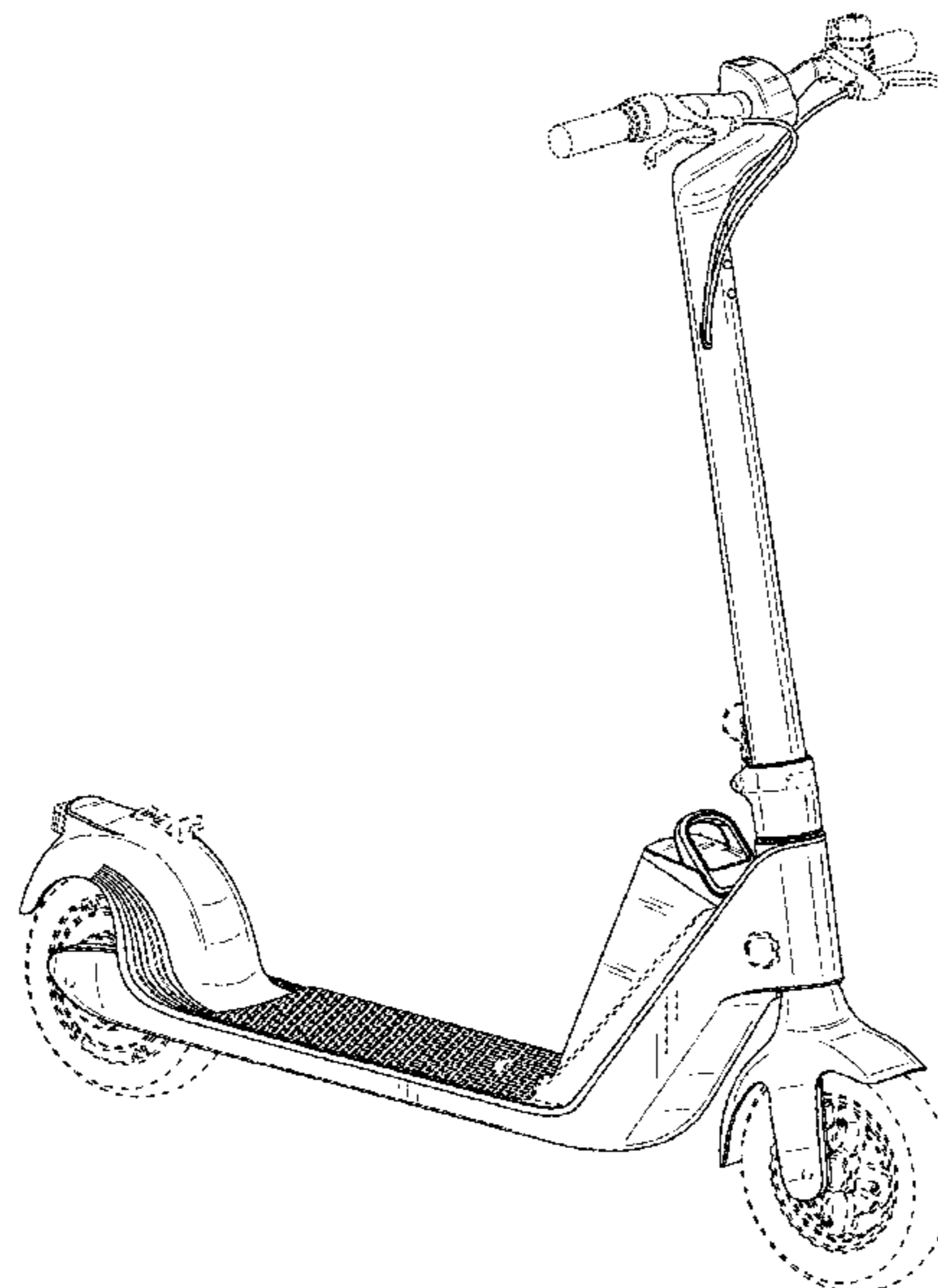
(57) **CLAIM**

The ornamental design for an electric scooter, as shown and described.

**DESCRIPTION**

FIG. 1 is a front, left, top perspective view of an electric scooter showing my new design;  
FIG. 2 is a rear, right, top perspective view thereof;  
FIG. 3 is a front elevational view thereof;  
FIG. 4 is a rear elevational view thereof;  
FIG. 5 is a left side elevational view thereof;  
FIG. 6 is a right side elevational view thereof;  
FIG. 7 is a top plan view thereof; and,  
FIG. 8 is a bottom plan view thereof.  
The broken lines illustrate portions of the electric scooter which form no part of the claimed design.

**1 Claim, 8 Drawing Sheets**



(56)

**References Cited**

U.S. PATENT DOCUMENTS

D923,714 S \* 6/2021 Shen ..... D21/423  
 D923,715 S \* 6/2021 Wang ..... D21/423  
 D927,604 S \* 8/2021 Han ..... B60B 19/00  
 2004/0145141 A1 \* 7/2004 Dennis ..... B62K 21/18  
 2013/0087983 A1 \* 4/2013 Ngai ..... B60B 19/00  
 2014/0091544 A1 \* 4/2014 Chung ..... B62K 3/002  
 2016/0009332 A1 \* 1/2016 Sirbu ..... B62K 15/008  
 2016/0311322 A1 \* 10/2016 Lagant ..... B62M 6/45  
 2019/0118647 A1 \* 4/2019 Jessie, Jr. .... B60K 17/043  
 2020/0283086 A1 \* 9/2020 Ulmen ..... B62L 1/00  
 2020/0317287 A1 \* 10/2020 Kong ..... B62K 15/006  
 2021/0179220 A1 \* 6/2021 Ottensooser ..... B62H 5/001

FOREIGN PATENT DOCUMENTS

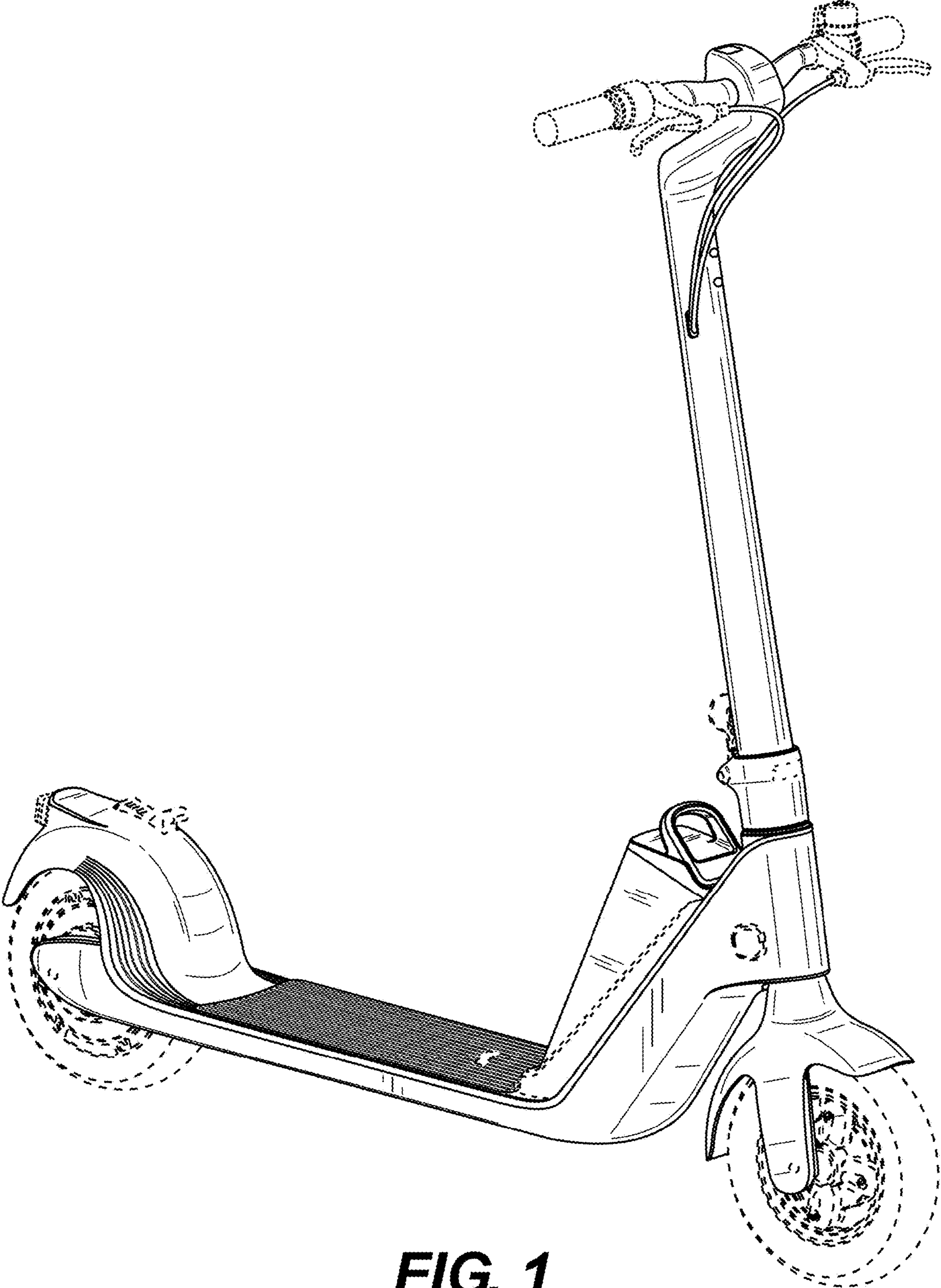
DE 102018107492 A1 \* 10/2019 ..... B62K 3/002  
 DE 202020104565 U1 \* 8/2020 ..... B62K 21/12

DE 202020104564 U1 \* 9/2020 ..... B62J 43/10  
 DE 102019007916 A1 \* 5/2021 ..... B62K 3/002  
 EM 007737135-0002 \* 3/2020 ..... B62J 43/10  
 EP 2371691 A2 \* 10/2011 ..... B62K 5/00  
 FR 2978417 A1 \* 2/2013 ..... B62K 3/002  
 FR 3014828 A1 \* 6/2015 ..... B60K 31/02  
 GB 9007711890-0001 \* 2/2020 ..... B62K 5/00  
 WO WO-2013123562 A1 \* 8/2013 ..... B62K 15/00  
 WO WO-2016045156 A1 \* 3/2016 ..... B62K 3/00

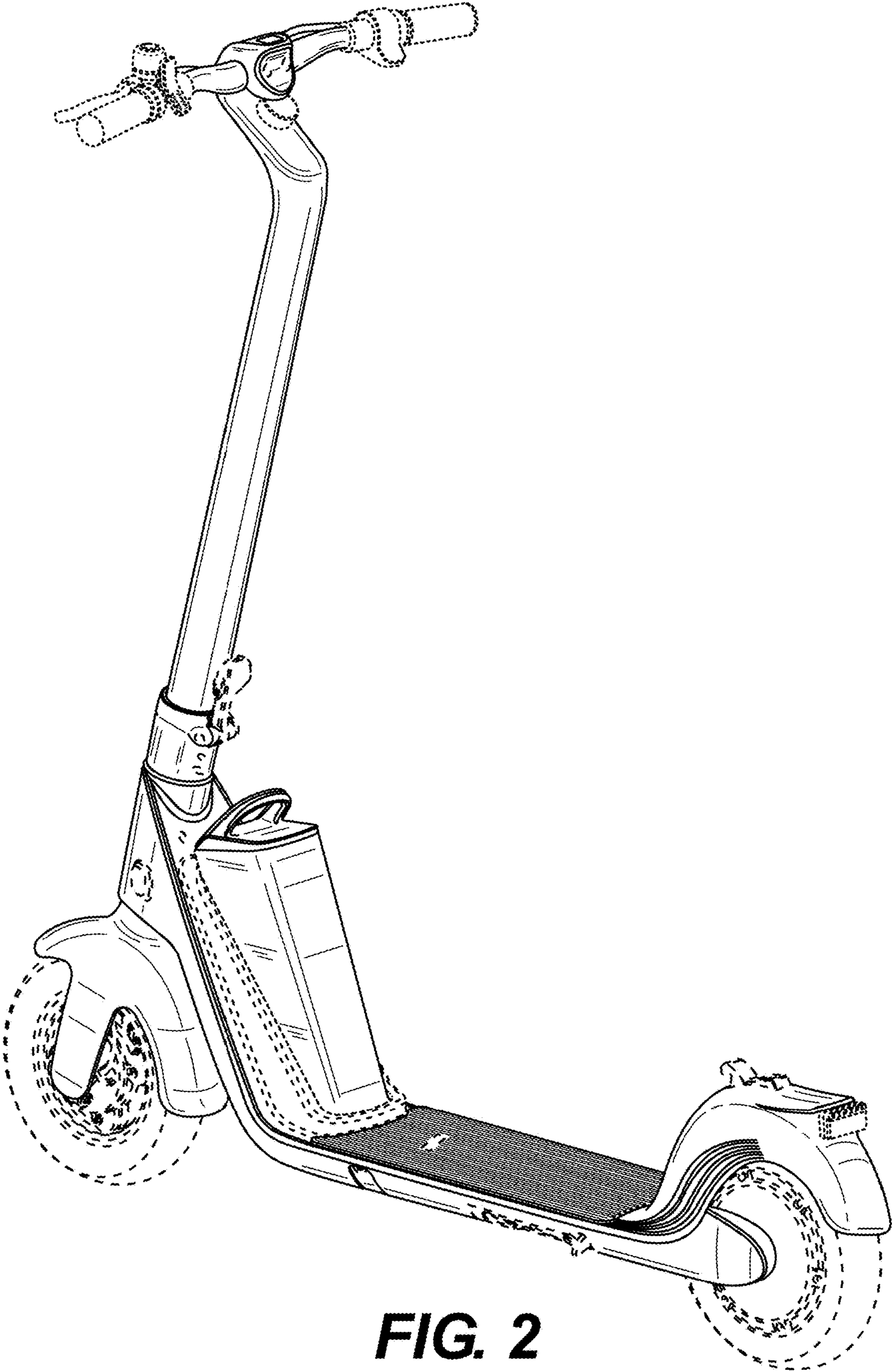
OTHER PUBLICATIONS

Tim Bigglesworth, "The best electric scooter accessories—Autumn 2019," Oct. 4, 2019, scootersdirect.co.uk, site visited Aug. 23, 2021, URL: <https://www.scootersdirect.co.uk/blogs/news/scooter-accessories-autumn-2019> (Year: 2019).\*

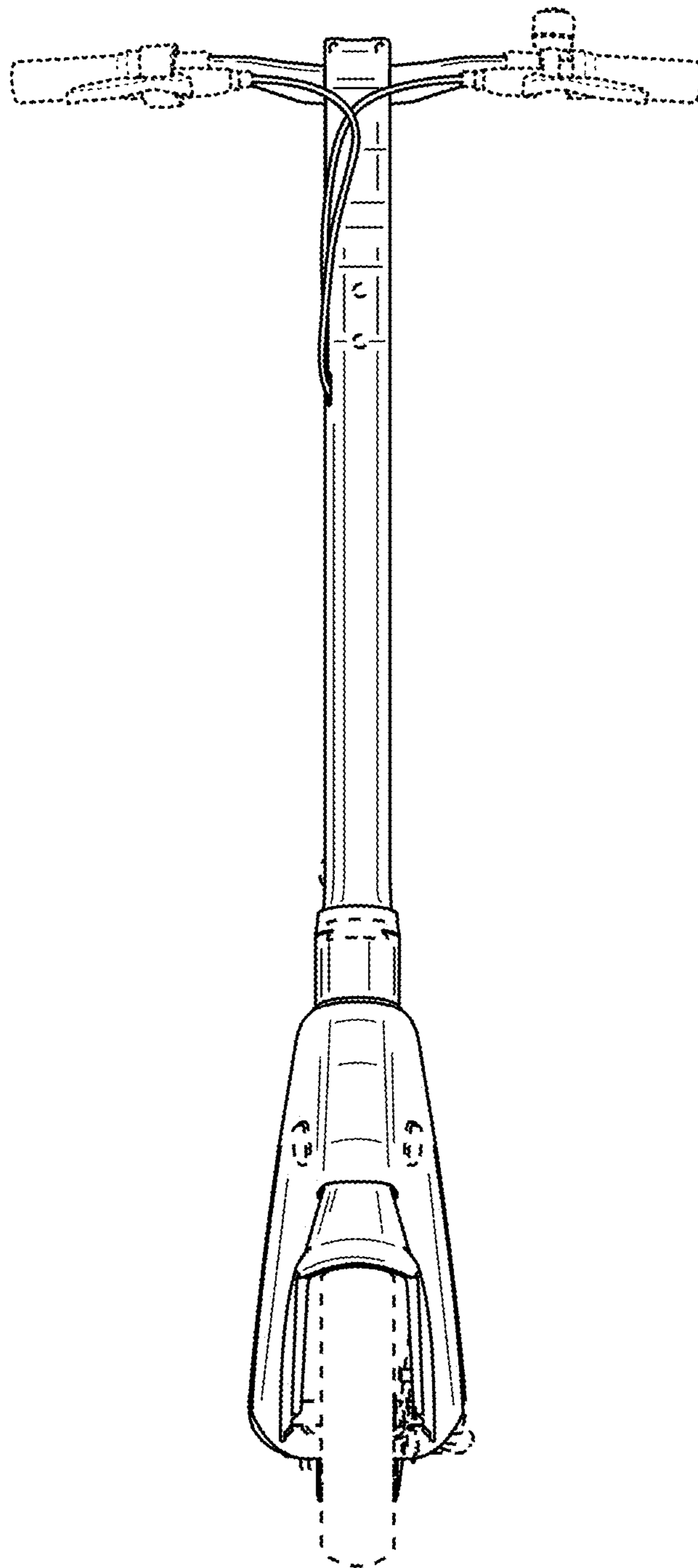
\* cited by examiner



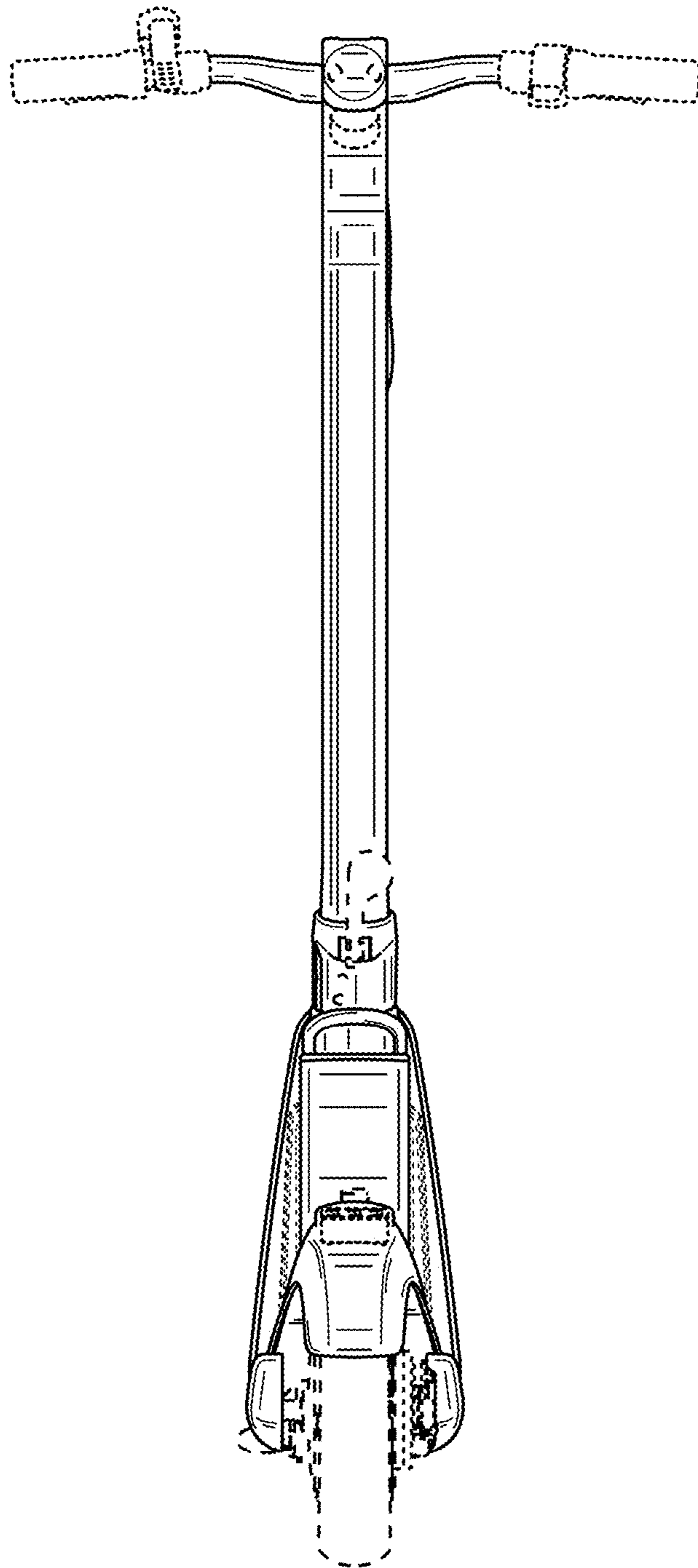
**FIG. 1**



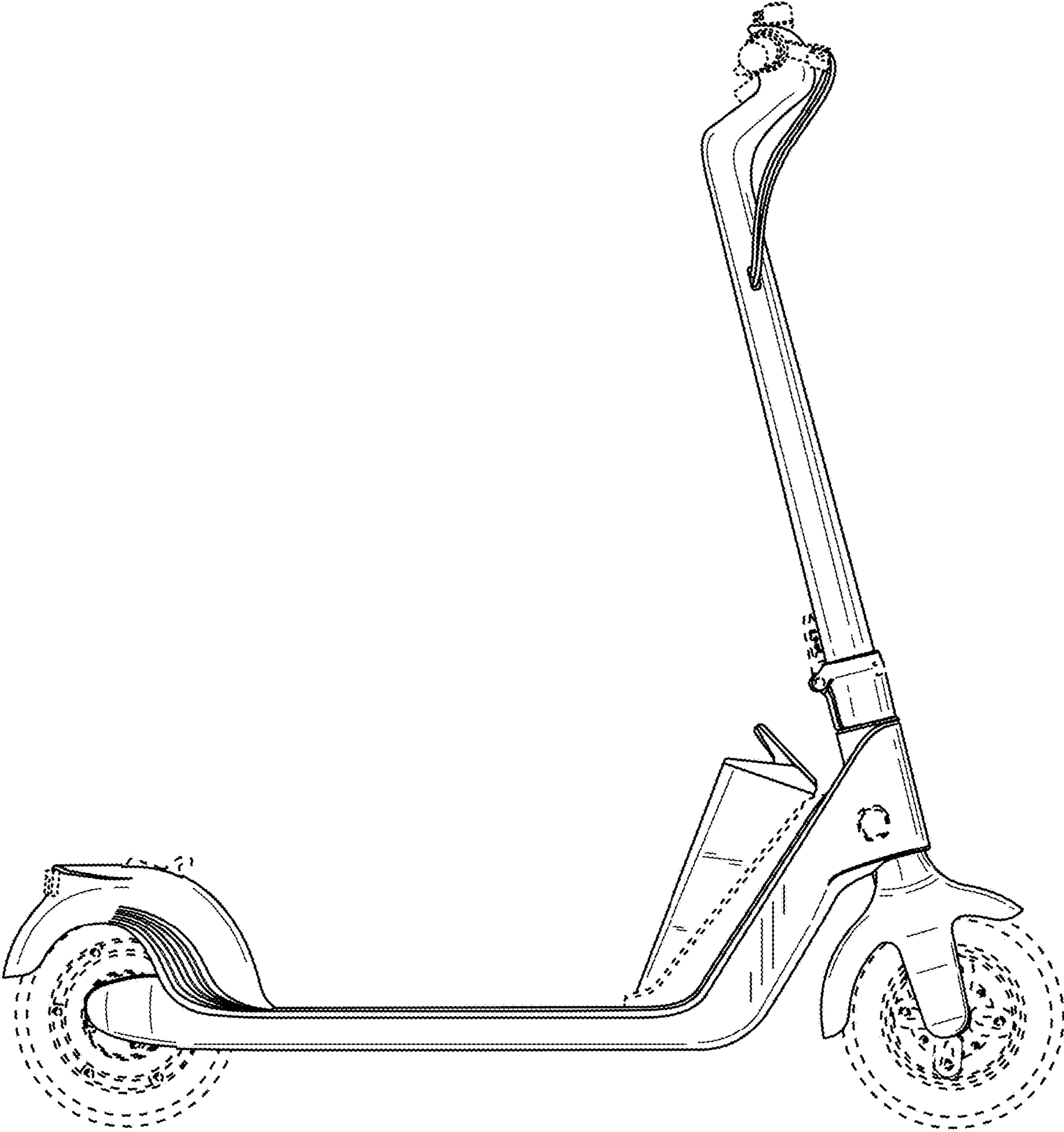
**FIG. 2**



**FIG. 3**



**FIG. 4**

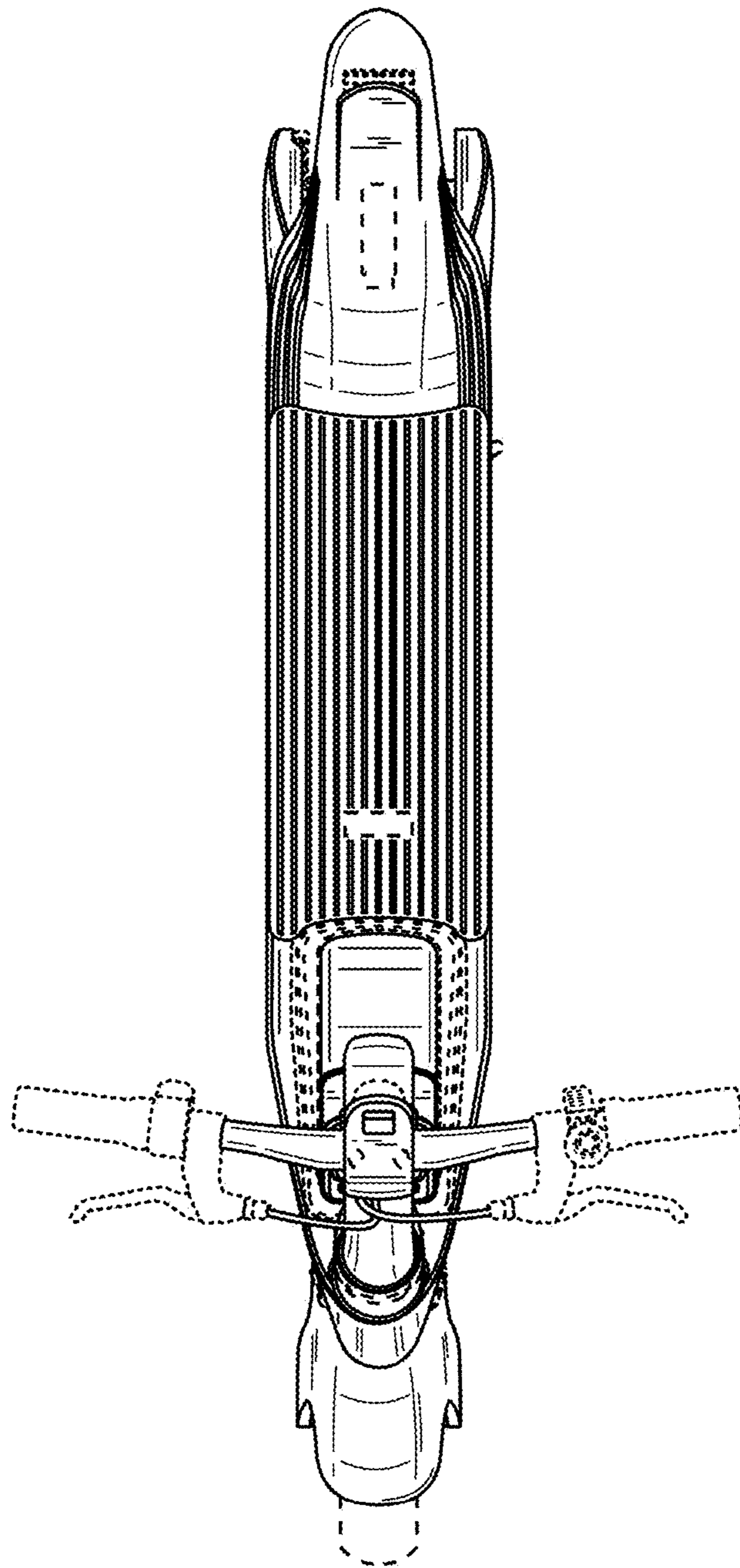


**FIG. 5**

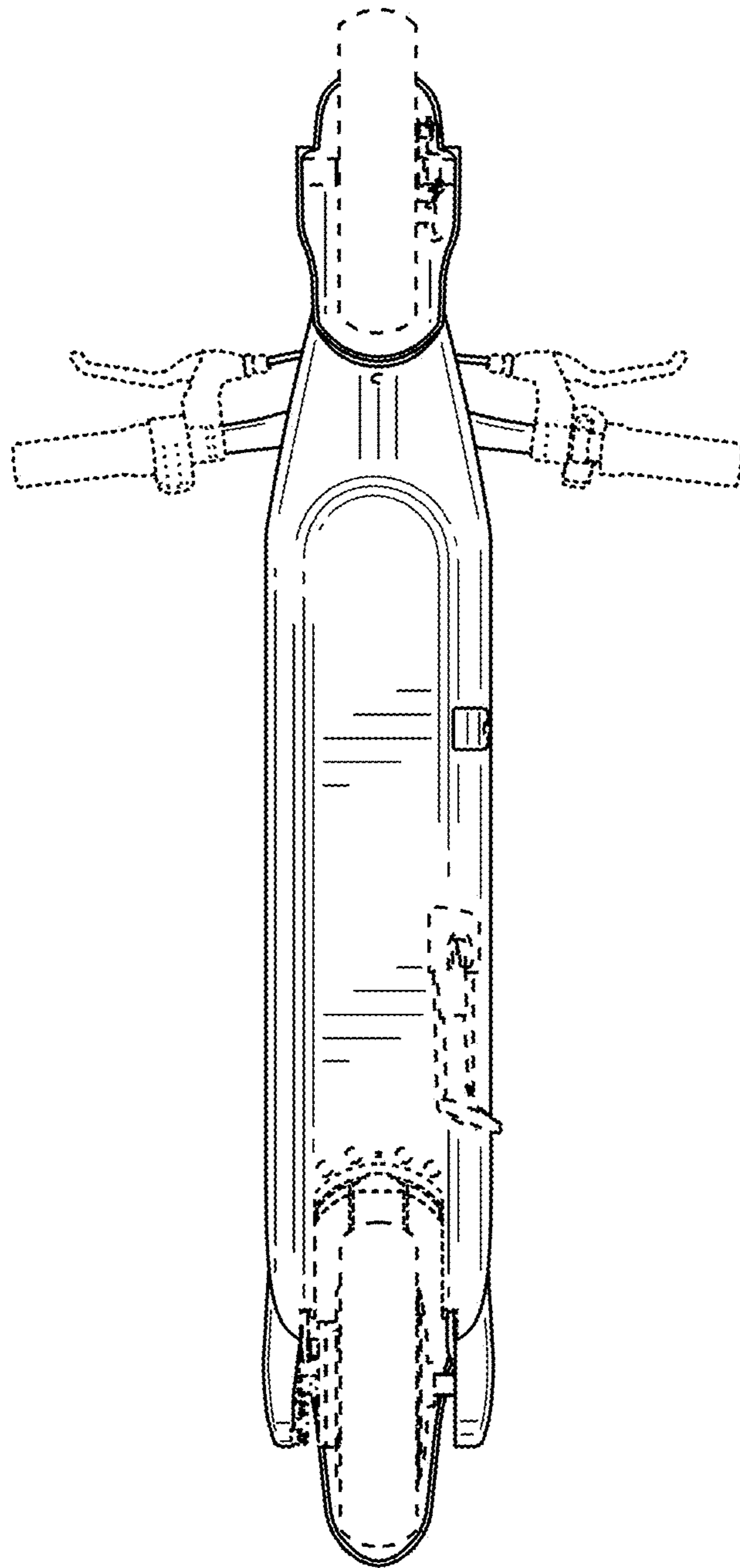


**FIG. 6**





**FIG. 7**



**FIG. 8**