

US00D964472S

(12) **United States Design Patent** (10) **Patent No.:** **US D964,472 S**
Cai (45) **Date of Patent:** **** Sep. 20, 2022**

(54) **BUBBLE MACHINE**
(71) Applicant: **Dongchun Wang**, Shantou (CN)
(72) Inventor: **Shuhui Cai**, Shantou (CN)
(**) Term: **15 Years**
(21) Appl. No.: **29/740,520**
(22) Filed: **Jul. 6, 2020**
(51) **LOC (13) Cl.** **21-01**
(52) **U.S. Cl.**
USPC **D21/401**
(58) **Field of Classification Search**
USPC D21/401, 402, 473, 398, 514; D16/201,
D16/206, 209, 211, 204
CPC A63H 33/28; A63H 33/00; A63J 5/025;
A63J 5/02
See application file for complete search history.

D748,712 S * 2/2016 Tompkin D16/218
D835,698 S * 12/2018 Darty D16/206
D873,883 S * 1/2020 Lin D16/202
D914,783 S * 3/2021 Wu D16/202

OTHER PUBLICATIONS

SplashNSpray Bubble Machine for Kids. Earliest Review Date: May 8, 2021. Retrieved from internet: <<https://www.amazon.com/SplashNSpray-Automatic-Toddlers-Solution-Portable/dp/B08YDLMH5F/>> [site visited Feb. 28, 2022] (Year: 2021).*
Zest 4 Toyz Camera Bubble Machine. Date First Available: Oct. 2, 2018. Retrieved from internet: <<https://www.amazon.in/Zest-Toyz-Automatic-Minute-Fun-Convenient/dp/B07HY69XB>> [site visited Feb. 28, 2022] (Year: 2018).*

* cited by examiner

Primary Examiner — Katherine Glennon
Assistant Examiner — Yuan Yuan

(57) **CLAIM**

The ornamental design for a bubble machine, as shown and described.

(56) **References Cited**

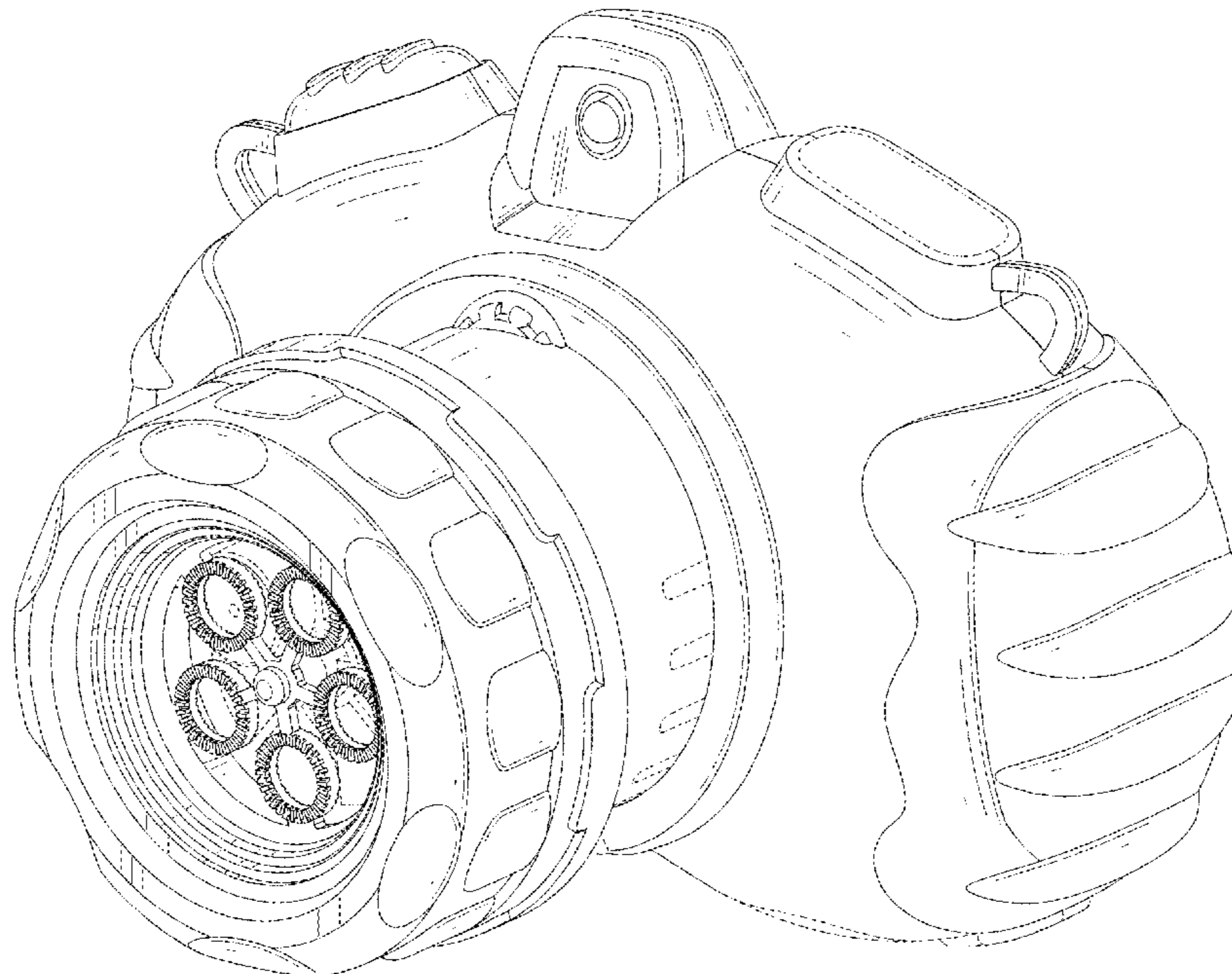
U.S. PATENT DOCUMENTS

D130,202 S * 10/1941 Mihalyi et al. D16/211
D294,606 S * 3/1988 Ryland D16/218
5,158,492 A * 10/1992 Rudell A63H 30/04
446/175
D332,810 S * 1/1993 Fujieda D21/514
D334,840 S * 4/1993 Lin D3/268
D356,587 S * 3/1995 Shuler D16/218
D409,642 S * 5/1999 Chin D16/218
D426,251 S * 6/2000 Wood D16/218
D429,268 S * 8/2000 Hayashi D16/202
D476,675 S * 7/2003 Tran D16/218
D487,485 S * 3/2004 Niu D21/514
D522,557 S * 6/2006 Chen D16/202
D524,837 S * 7/2006 Chen D16/202
D576,192 S * 9/2008 Isozaki D16/202
D616,008 S * 5/2010 Enervold D16/218

DESCRIPTION

FIG. 1 is a first perspective view of a bubble machine showing my new design;
FIG. 2 is a second perspective view thereof;
FIG. 3 is a front view thereof;
FIG. 4 is a back view thereof;
FIG. 5 is a left side view thereof;
FIG. 6 is a right side view thereof;
FIG. 7 is a top view thereof; and,
FIG. 8 is a bottom view thereof.
The broken lines shown in the drawings depict portions of the bubble machine that form no part of the claimed design.

1 Claim, 8 Drawing Sheets



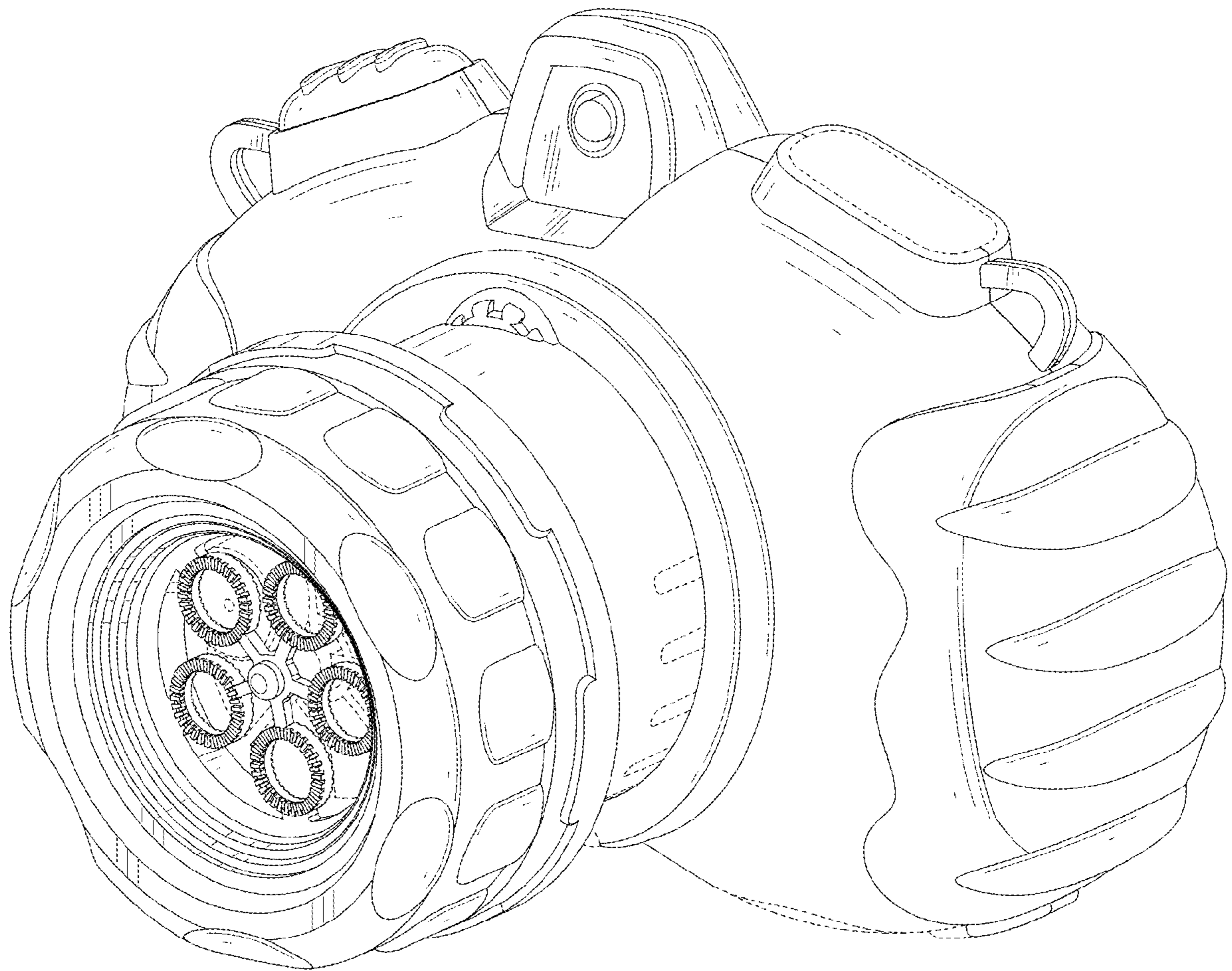


FIG. 1

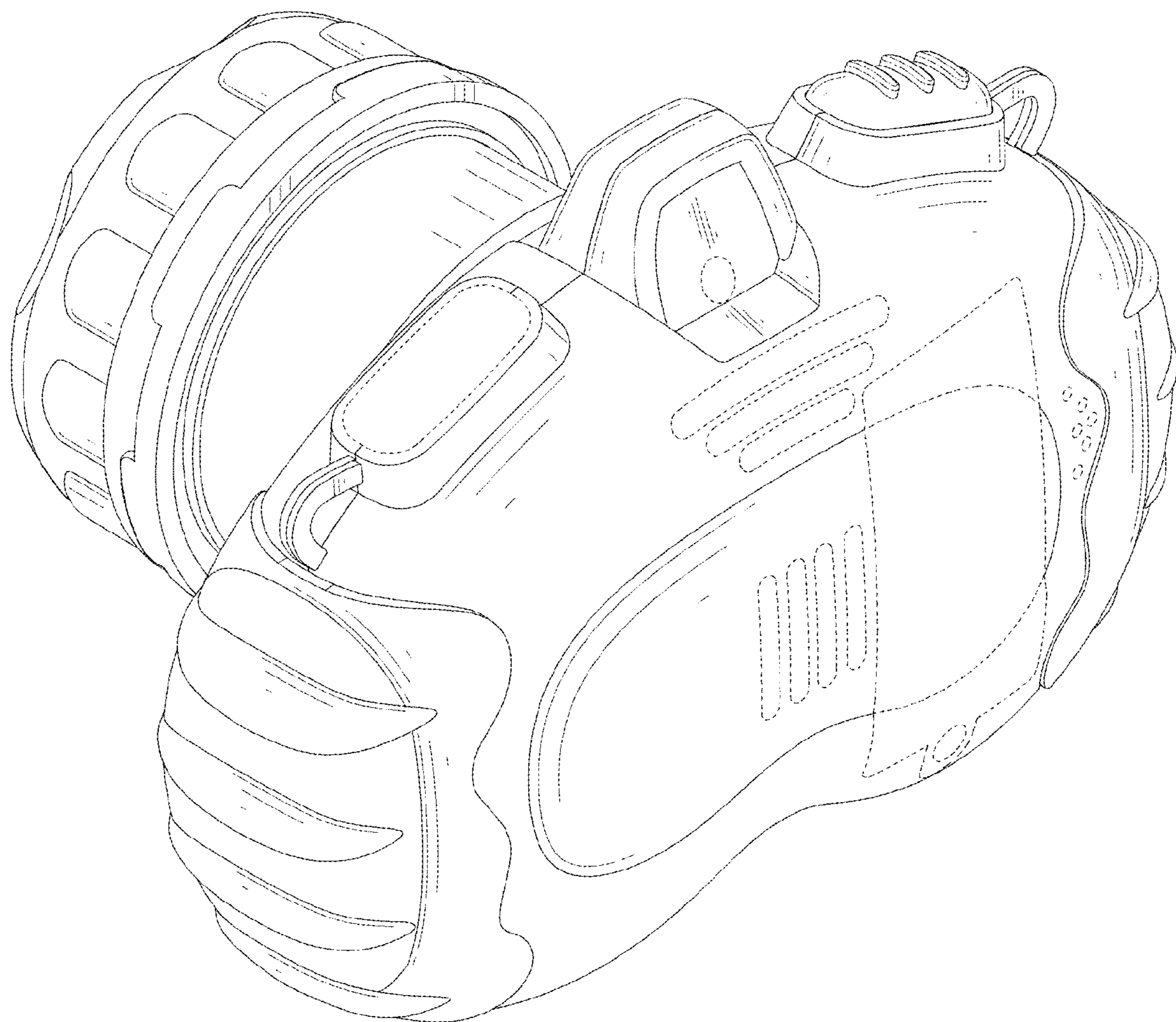


FIG. 2

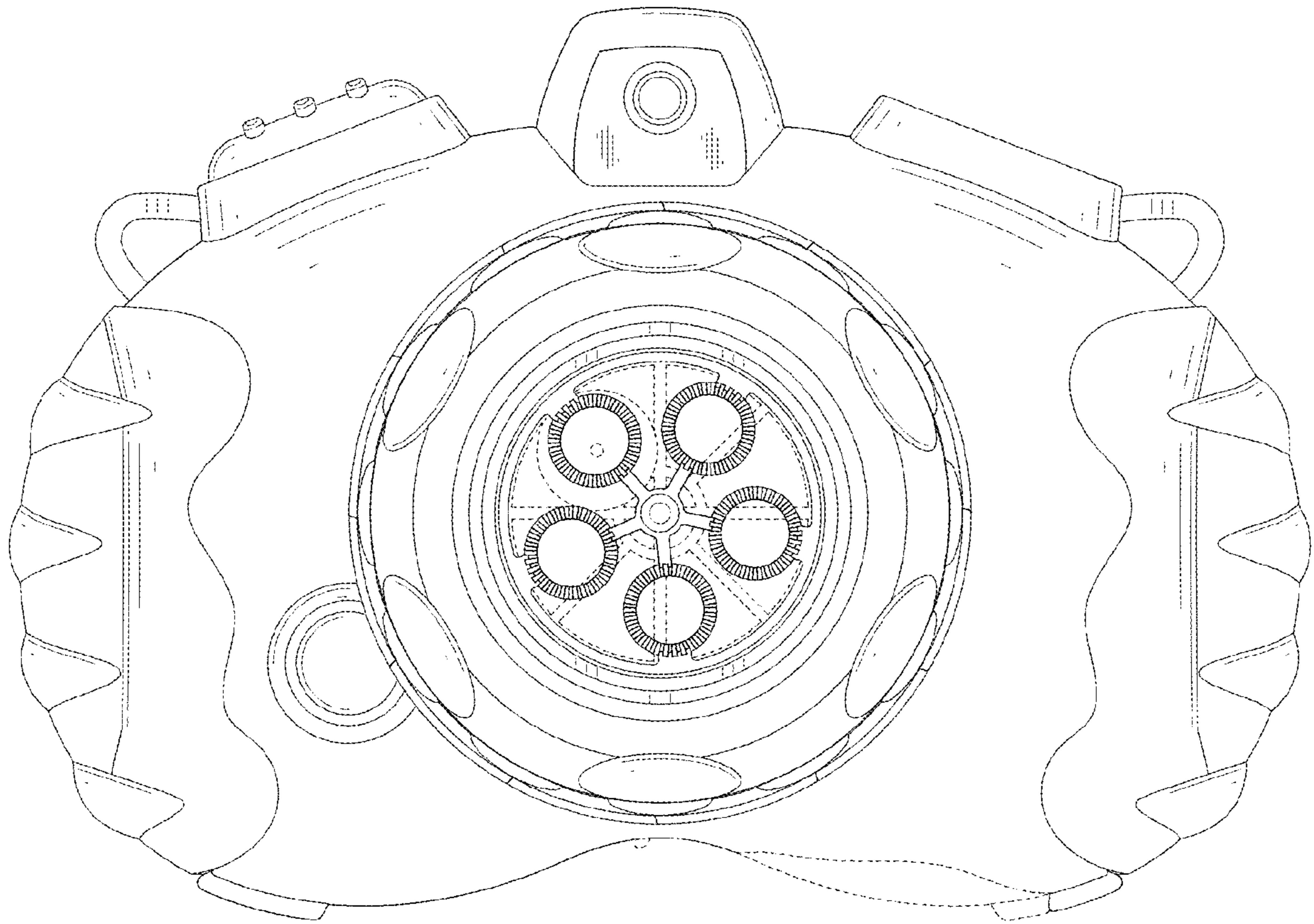


FIG. 3

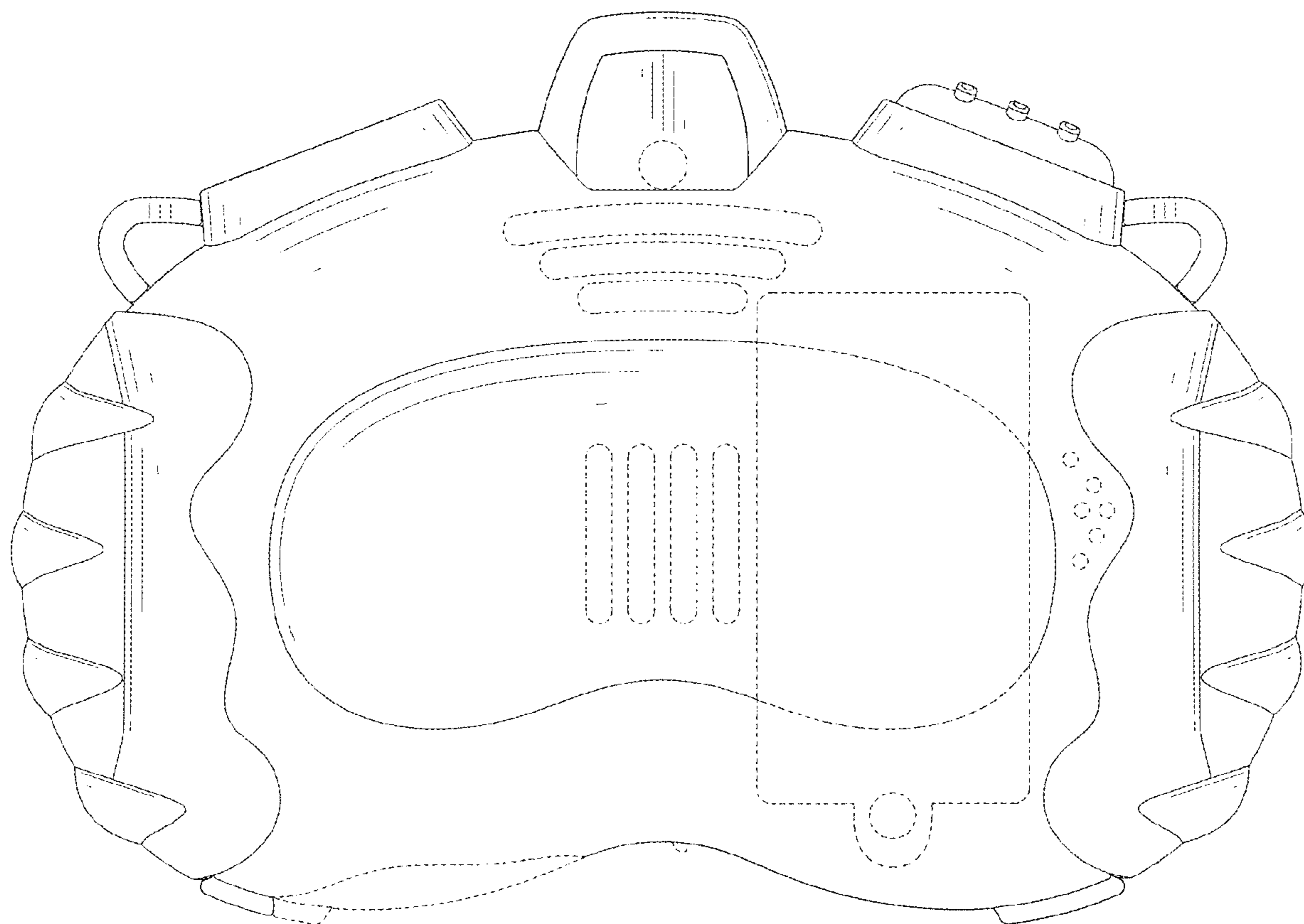


FIG. 4

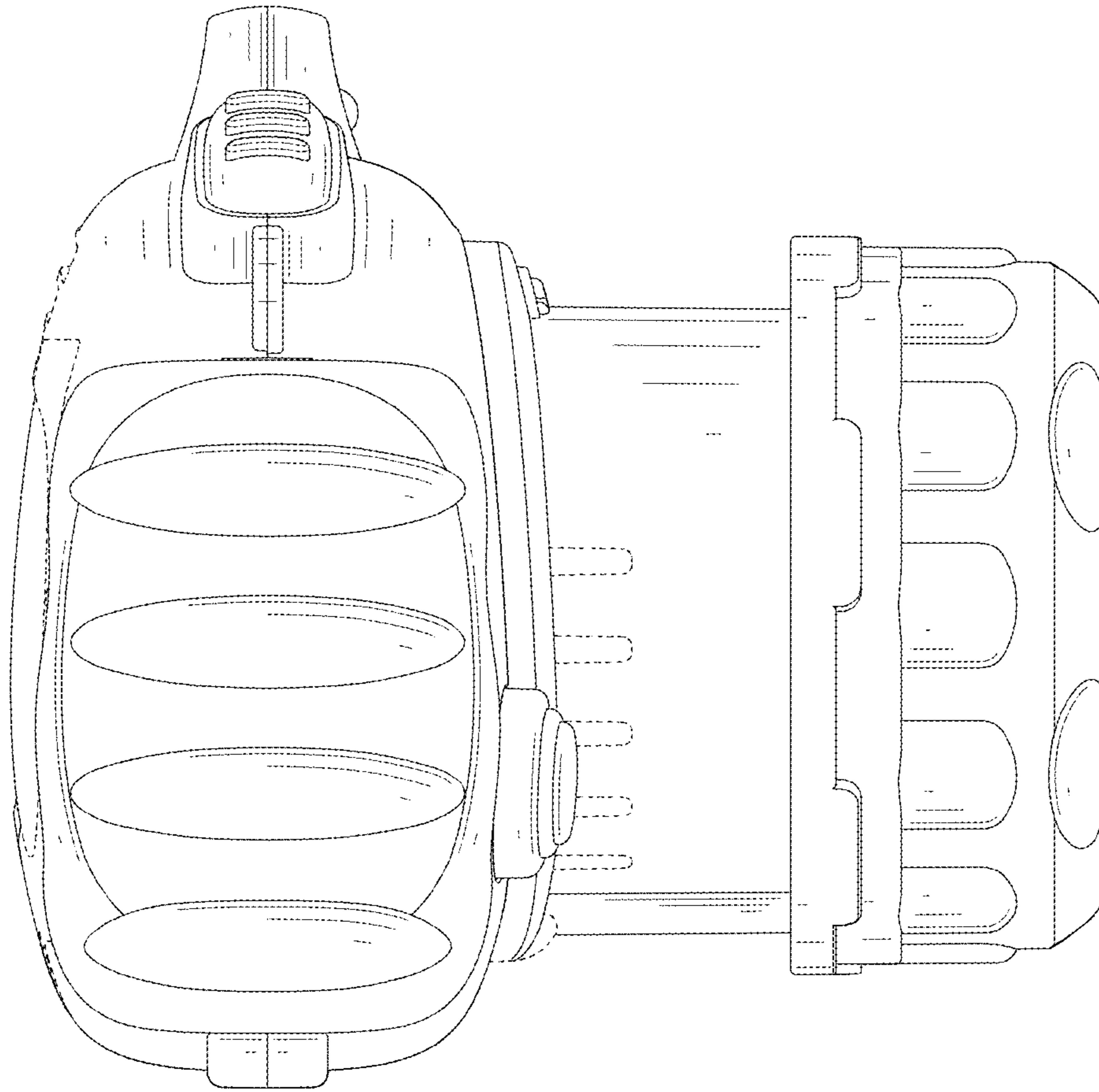


FIG. 5

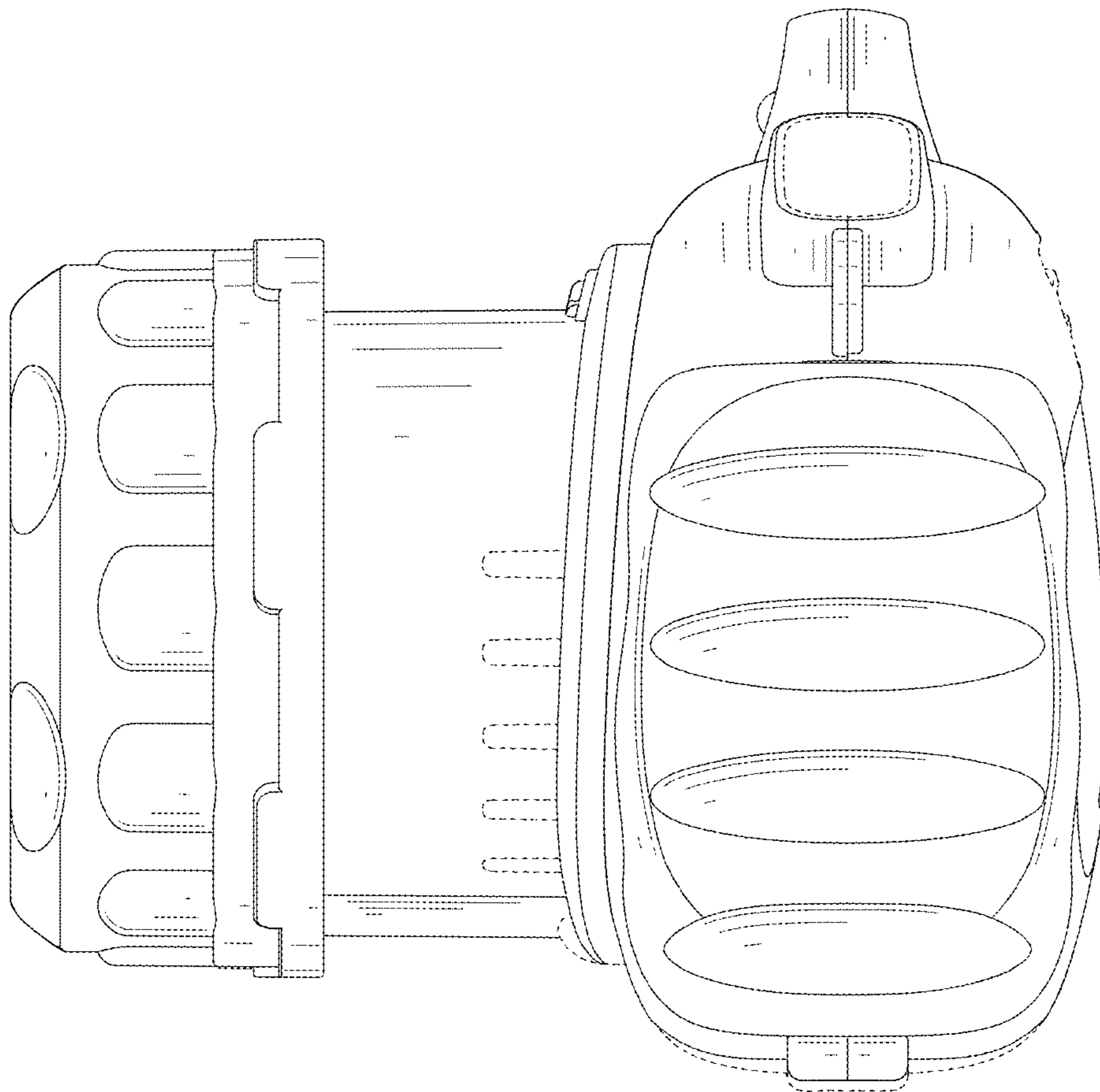


FIG. 6

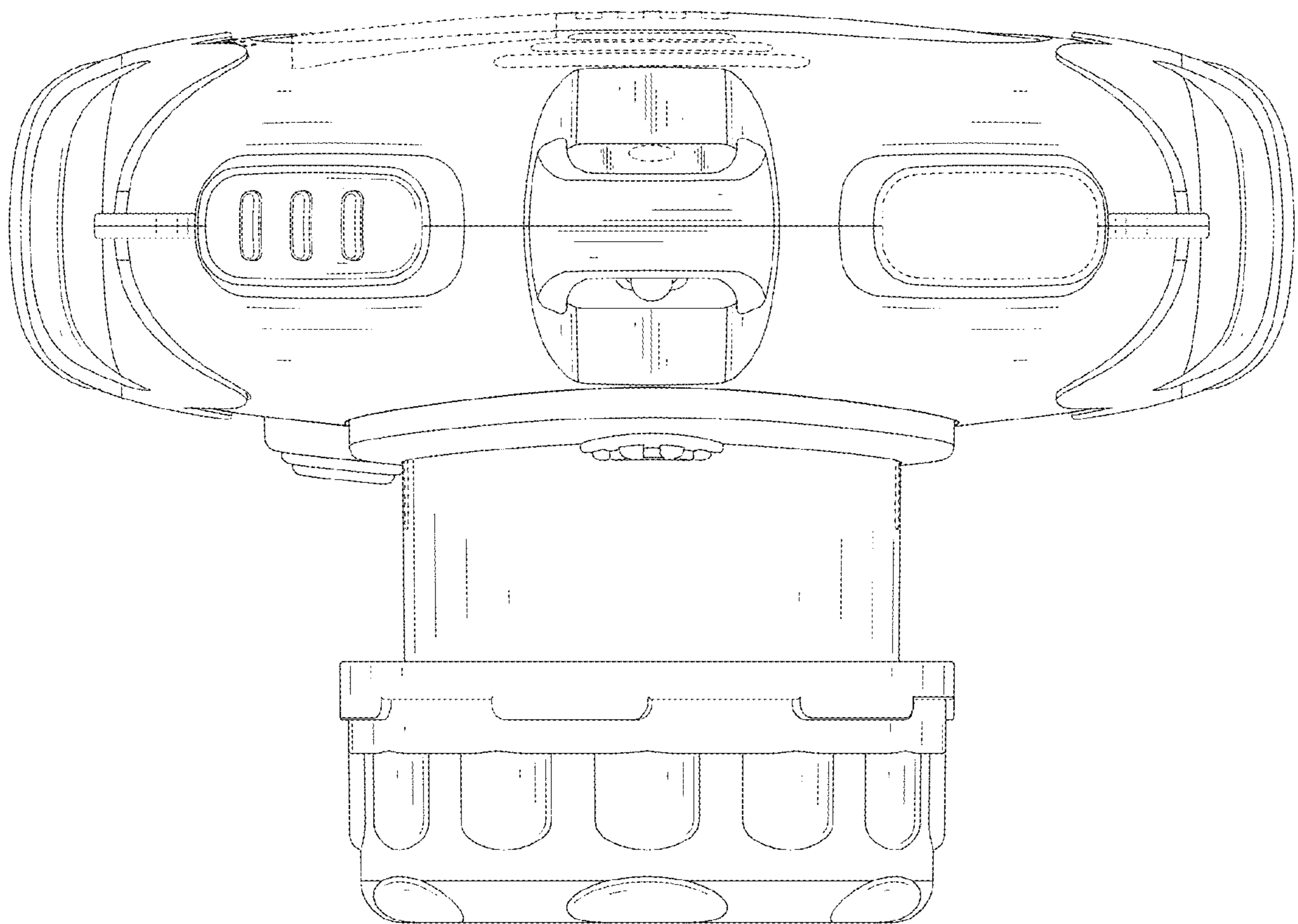


FIG. 7

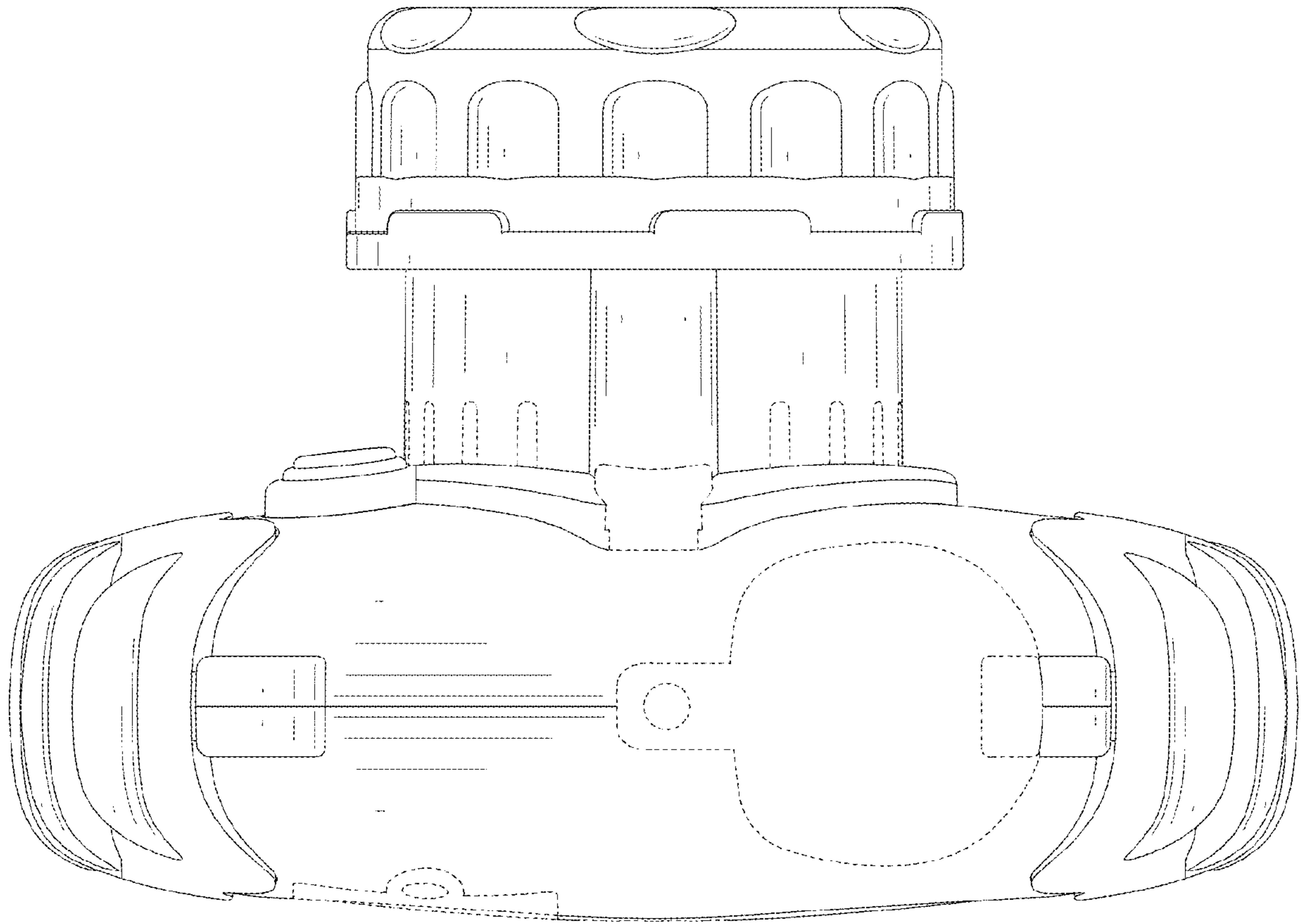


FIG. 8