

US00D964471S

(12) **United States Design Patent** (10) **Patent No.:** **US D964,471 S**  
**Holland et al.** (45) **Date of Patent:** **\*\* Sep. 20, 2022**

(54) **GAMING MACHINE**

(56) **References Cited**

(71) Applicant: **ARISTOCRAT TECHNOLOGIES AUSTRALIA PTY LIMITED**, North Ryde (AU)

U.S. PATENT DOCUMENTS

D306,464 S 3/1990 Axtell  
D408,458 S 4/1999 Hempel  
(Continued)

(72) Inventors: **Martin Holland**, Warriewood (AU);  
**Martin Mirakhour**, Castle Hill (AU);  
**Calvin Kim**, Strathfield (AU);  
**Antoneous Guirguis Tawfik**, Casula (AU);  
**Rajendrasinh Banesinh Jadeja**, Las Vegas, NV (US)

OTHER PUBLICATIONS

Notice of Allowance dated May 5, 2020 for U.S. Appl. No. 29/679,388 (pp. 1-10).

(Continued)

(73) Assignee: **ARISTOCRAT TECHNOLOGIES AUSTRALIA PTY LIMITED**, North Ryde (AU)

*Primary Examiner* — Michael A Maharajh  
(74) *Attorney, Agent, or Firm* — Armstrong Teasdale LLP

(\*\*) Term: **15 Years**

(57) **CLAIM**

(21) Appl. No.: **29/764,916**

We claim the ornamental design for a gaming machine, as shown and described.

(22) Filed: **Jan. 4, 2021**

**DESCRIPTION**

**Related U.S. Application Data**

(63) Continuation of application No. 29/679,388, filed on Feb. 5, 2019, now Pat. No. Des. 908,802, which is a (Continued)

FIG. 1 is a front perspective view of a gaming machine showing my new design.

FIG. 2 is a front view of the gaming machine shown in FIG. 1.

(30) **Foreign Application Priority Data**

Jun. 30, 2017 (AU) ..... 201713995

FIG. 3 is a rear side view of the gaming machine shown in FIG. 1.

(51) **LOC (13) Cl.** ..... **21-03**

FIG. 4 is a left side view of the gaming machine shown in FIG. 1.

(52) **U.S. Cl.**  
USPC ..... **D21/369**

FIG. 5 is a right side view of the gaming machine shown in FIG. 1.

(58) **Field of Classification Search**  
USPC ..... D14/126, 127, 133, 305, 307, 336, 340,  
D14/371, 374, 432, 439, 450; D21/324,  
D21/325, 369, 370, 371, 385  
CPC ..... A63F 2009/2457; A63F 2009/241; A63F  
13/00; A63F 9/24; H05K 5/0234; F16M  
11/06

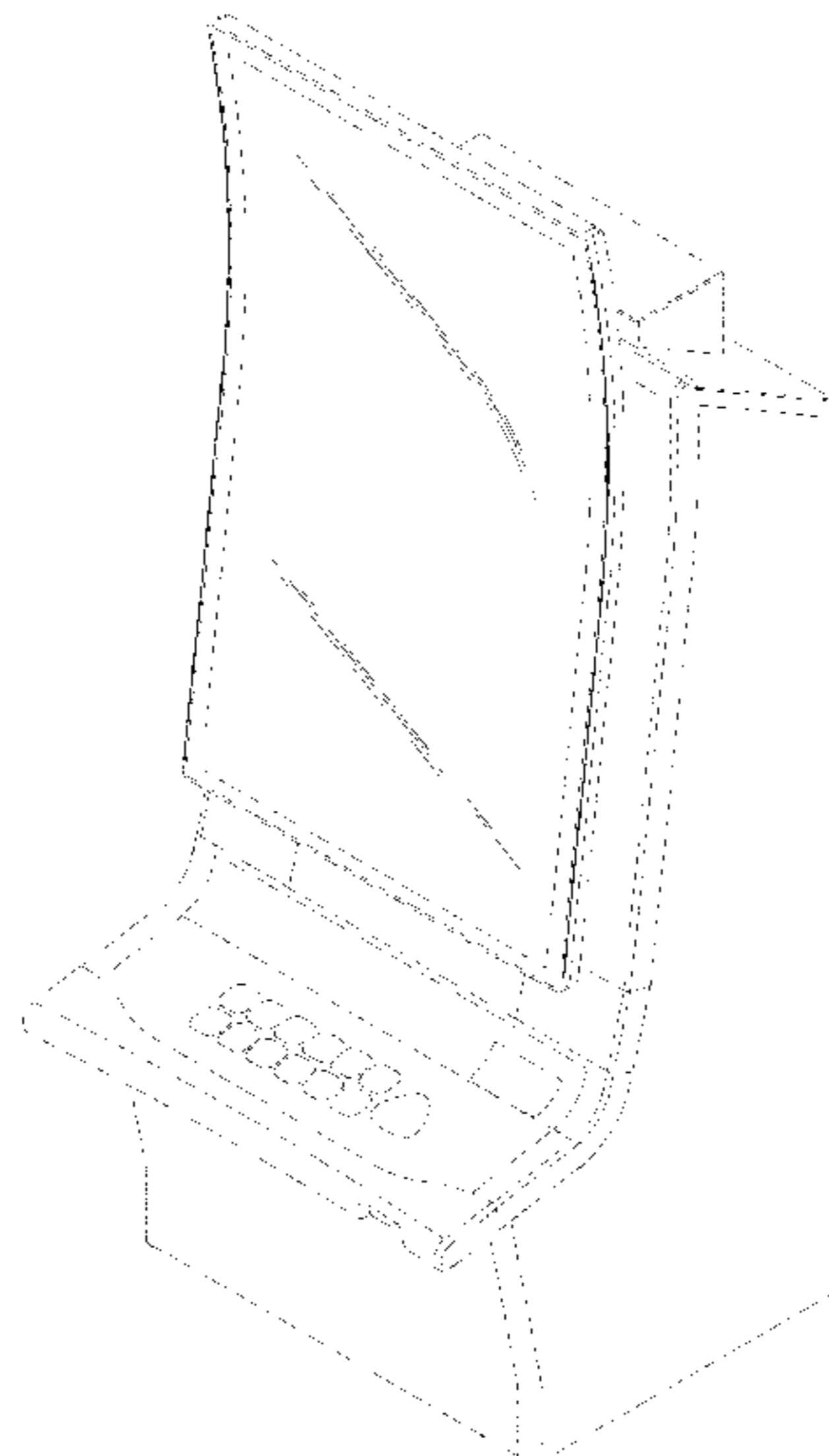
FIG. 6 is a top view of the gaming machines shown in FIG. 1; and,

FIG. 7 is a bottom view of the gaming machine shown in FIG. 1.

The broken lines in the drawings are for the purpose of illustrating environmental structure which form no part of the claimed design.

See application file for complete search history.

**1 Claim, 7 Drawing Sheets**



**Related U.S. Application Data**

continuation of application No. 29/631,037, filed on  
Dec. 27, 2017, now Pat. No. Des. 843,482.

(56)

**References Cited**

U.S. PATENT DOCUMENTS

D498,267 S 11/2004 Crouch  
D508,961 S 8/2005 Gatto  
D535,338 S 1/2007 Linard  
D535,954 S 1/2007 Hwang  
D560,724 S 1/2008 Johnson  
D560,725 S 1/2008 Johnson  
D564,601 S 3/2008 Strahinic  
D573,417 S 7/2008 Osbourn  
D615,598 S 5/2010 McComb  
D637,595 S 5/2011 Mizusugi  
D646,336 S 10/2011 Kelly  
D646,337 S 10/2011 Kelly  
8,226,461 B2 7/2012 Gauselmann  
8,231,452 B2 7/2012 Suda  
D673,619 S 1/2013 Seelig  
D673,620 S 1/2013 Johnson  
D673,621 S 1/2013 Johnson  
D678,270 S 3/2013 Song  
D685,033 S 6/2013 Wudtke  
D685,435 S 7/2013 Hohman  
D704,275 S 5/2014 Lesley  
D706,741 S 6/2014 Myers  
D707,646 S 6/2014 Kim  
D712,975 S 9/2014 Lesley  
D713,811 S 9/2014 Isaacs  
D714,269 S 9/2014 Lee  
D714,270 S 9/2014 Lee  
D714,271 S 9/2014 Lee  
D715,279 S 10/2014 Lee  
D716,246 S 10/2014 Yun  
8,851,989 B2 10/2014 Rosander  
D718,818 S 12/2014 Sumii  
D719,117 S 12/2014 Huh  
D719,615 S 12/2014 Inoue  
D719,616 S 12/2014 Inoue  
D723,626 S 3/2015 Vasquez  
D724,555 S 3/2015 Cha  
D726,139 S 4/2015 Park  
D726,140 S 4/2015 Park  
D726,678 S 4/2015 Park  
D733,088 S 6/2015 Garneau  
D736,751 S 8/2015 Lee  
D736,752 S 8/2015 Lee  
D740,888 S 10/2015 Depalma  
D742,974 S 11/2015 Lesley  
D752,535 S \* 3/2016 Kim ..... D14/126  
D755,137 S 5/2016 Won  
D762,613 S 8/2016 Garneau  
D763,361 S 8/2016 Rosander  
RE46,169 E 10/2016 Kelly  
D770,449 S 11/2016 Bae  
D770,450 S 11/2016 Bae  
D770,998 S 11/2016 Kwak  
D771,041 S 11/2016 Bae  
D771,628 S 11/2016 Bae  
D774,011 S 12/2016 Behar  
D774,032 S 12/2016 Bae  
D776,112 S 1/2017 Bae  
D776,666 S 1/2017 Karlsson  
D777,127 S 1/2017 Kim  
D780,138 S 2/2017 Lee  
D780,706 S 3/2017 Kim  
D784,984 S 4/2017 Lim  
D786,242 S 5/2017 Ho  
D786,859 S 5/2017 Kim  
D790,493 S 6/2017 Han  
D792,384 S 7/2017 Kim  
D795,855 S 8/2017 Kim  
D796,462 S 9/2017 Bang  
D797,713 S 9/2017 Kim

D798,253 S 9/2017 Kim  
D800,082 S 10/2017 Ahn  
D801,945 S 11/2017 Cho  
D802,590 S 11/2017 Bae  
D802,591 S 11/2017 Bae  
D803,818 S 11/2017 Kim  
D810,833 S 2/2018 Rosander  
D811,384 S 2/2018 Diasabeygunawardena  
D812,146 S 3/2018 Castro  
D812,147 S 3/2018 Castro  
D812,148 S 3/2018 Castro  
D812,149 S 3/2018 Castro  
D813,954 S 3/2018 Calhoun  
D819,747 S 6/2018 Castro  
D820,915 S 6/2018 Lee  
D826,338 S 8/2018 Bussey  
D831,647 S 10/2018 Woo  
D832,355 S 10/2018 Castro  
D832,356 S 10/2018 Castro  
D832,357 S 10/2018 Castro  
D836,164 S 12/2018 Castro  
D836,720 S 12/2018 Kang  
10,181,236 B2 1/2019 Goldstein  
D842,930 S 3/2019 Johnson  
D842,932 S 3/2019 Stair  
D842,933 S 3/2019 Castro  
D843,458 S 3/2019 Castro  
D843,459 S 3/2019 Castro  
D843,460 S 3/2019 Castro  
D843,461 S 3/2019 Castro  
D843,464 S 3/2019 Castro  
D843,465 S 3/2019 Castro  
D843,466 S 3/2019 Castro  
D843,467 S 3/2019 Johnson  
D843,468 S 3/2019 Johnson  
D843,473 S 3/2019 Zedell, Jr.  
D843,474 S 3/2019 Lesley  
D843,475 S 3/2019 Lesley  
D843,476 S 3/2019 Lesley  
D843,477 S 3/2019 Lesley  
D843,478 S 3/2019 Lesley  
D843,479 S 3/2019 Castro  
D843,480 S 3/2019 Castro  
D843,482 S \* 3/2019 Holland ..... D21/396  
D843,866 S 3/2019 Mutch  
D844,062 S 3/2019 Lesley  
D846,650 S 4/2019 Stair  
D850,536 S 6/2019 Stair  
D850,537 S 6/2019 Urban  
10,325,446 B2 6/2019 Castro  
D858,642 S 9/2019 Legras  
D862,602 S 10/2019 Kariya  
D870,820 S 12/2019 Urban  
D871,507 S 12/2019 Urban  
D872,085 S \* 1/2020 Lee ..... D14/374  
D872,190 S 1/2020 Zedell, Jr.  
D873,826 S 1/2020 Yang  
10,593,152 B1 3/2020 Schwartz  
10,600,286 B2 3/2020 Marks  
D880,611 S 4/2020 Glenn, II  
D881,285 S 4/2020 Glenn  
10,621,829 B2 \* 4/2020 Loader ..... G07F 17/3265  
D896,313 S \* 9/2020 Castro ..... D21/369  
D896,314 S \* 9/2020 Castro ..... D21/369  
D898,128 S \* 10/2020 Urban ..... D21/369  
D907,707 S \* 1/2021 DeMarco ..... D21/369  
D907,714 S \* 1/2021 DeMarco ..... D21/369  
D908,802 S \* 1/2021 Holland ..... D21/369  
D909,490 S \* 2/2021 DeMarco ..... D21/369  
D910,116 S \* 2/2021 Castro ..... D21/369  
D910,117 S \* 2/2021 DeMarco ..... D21/369  
D910,118 S \* 2/2021 DeMarco ..... D21/369  
D910,119 S \* 2/2021 DeMarco ..... D21/369  
D910,120 S \* 2/2021 DeMarco ..... D21/369  
D915,523 S \* 4/2021 Glenn, II ..... D21/369  
D918,303 S \* 5/2021 DeMarco ..... D21/369  
2013/0278875 A1 10/2013 Kim  
2016/0093143 A1 3/2016 Lamb  
2018/0075689 A1 3/2018 Castro

(56)

**References Cited**

U.S. PATENT DOCUMENTS

2018/0078854 A1 3/2018 Achmueller  
2019/0362590 A1 11/2019 Froy  
2020/0111295 A1 4/2020 Glenn

OTHER PUBLICATIONS

Australian Design Examination Report No. 2 for App No. AU201715949, dated Mar. 6, 2018, 2 pages.  
Australian Design Examination Report No. 3 for App No. AU201715949, dated May 21, 2018, 2 pages.  
Australian Design Examination Report No. 4 for App No. AU201715949, dated Jun. 8, 2018, 2 pages.  
Corrected Australian Report for App No. AU201715949, dated Dec. 15, 2017, 3 pages.  
Notice of Allowance dated Jun. 22, 2020 for U.S. Appl. No. 29/640,236 (pp. 1-5).  
Notice of Allowance dated Sep. 25, 2020 for U.S. Appl. No. 29/679,388 (pp. 1-6).  
Notice of Allowance dated Oct. 29, 2020 for U.S. Appl. No. 29/640,236 (pp. 1-5).

\* cited by examiner



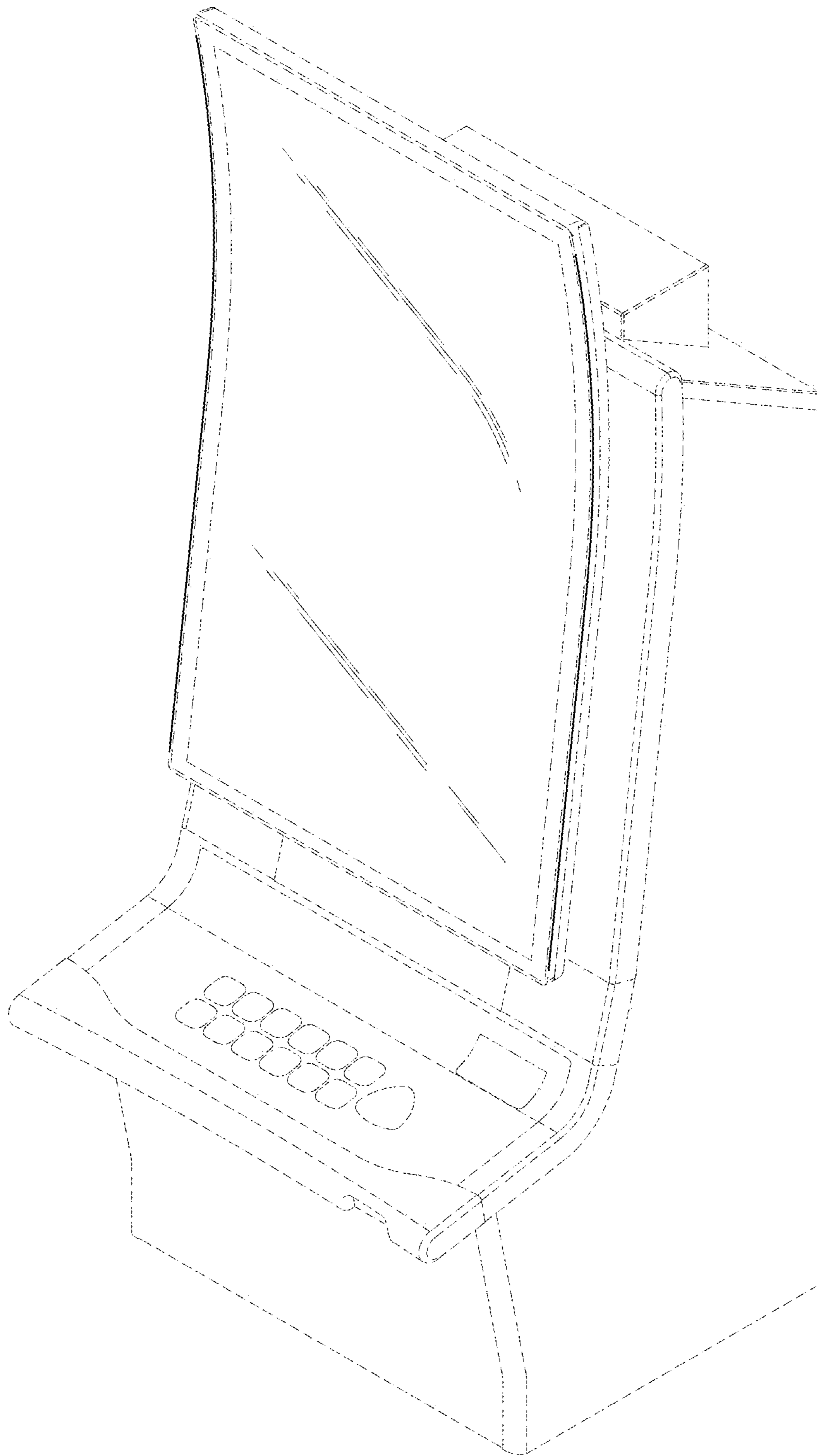


FIG. 1

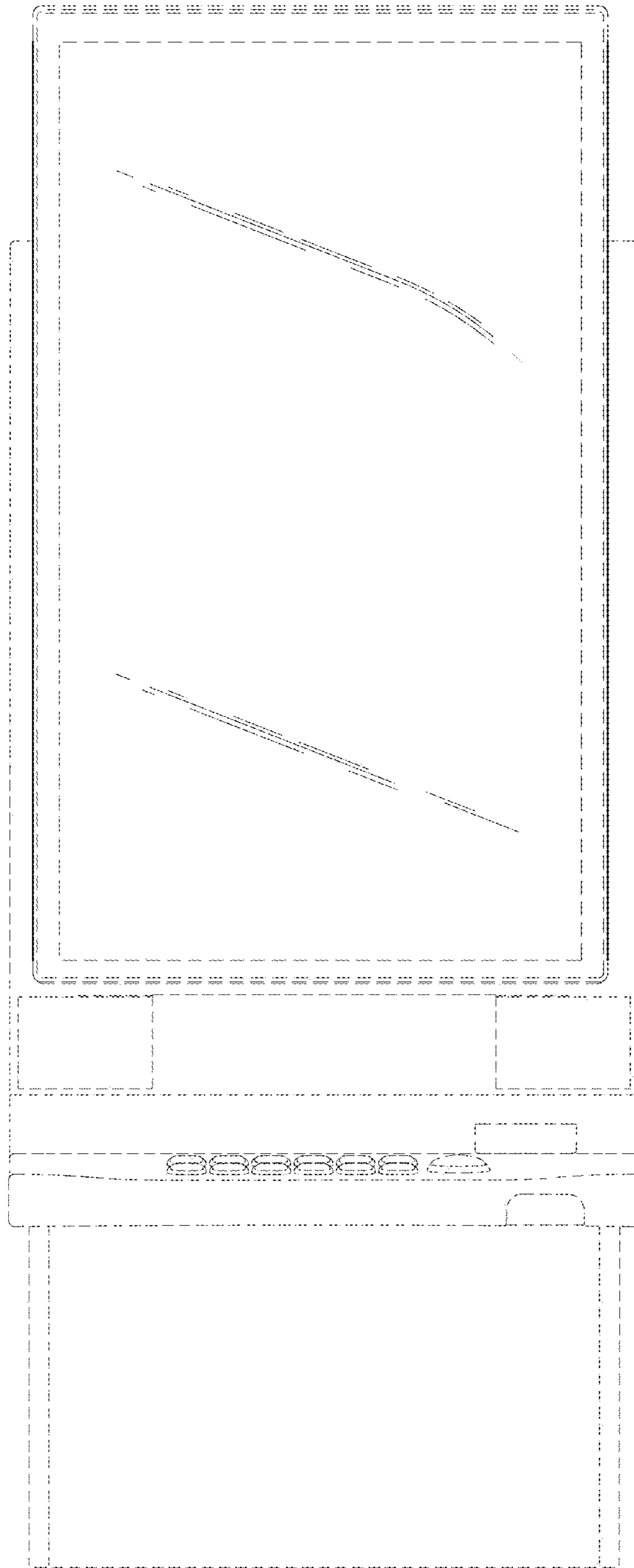


FIG. 2

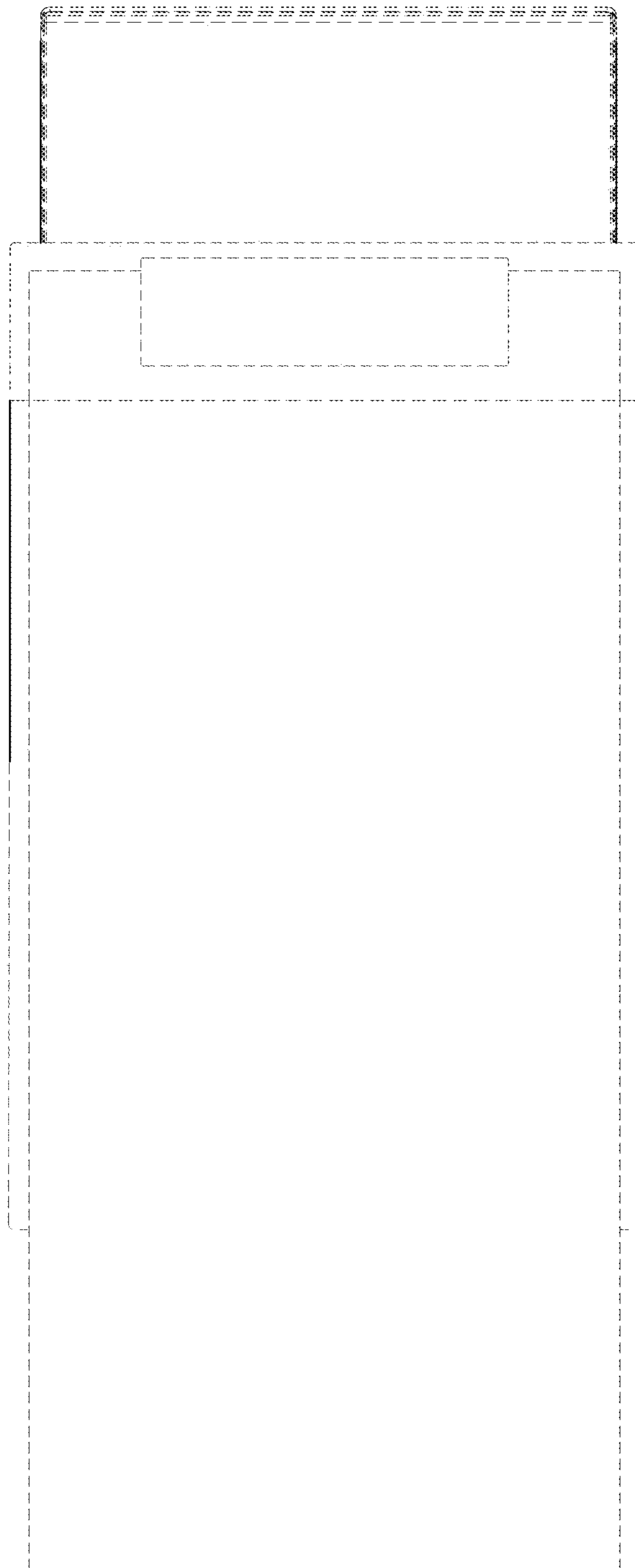


FIG. 3

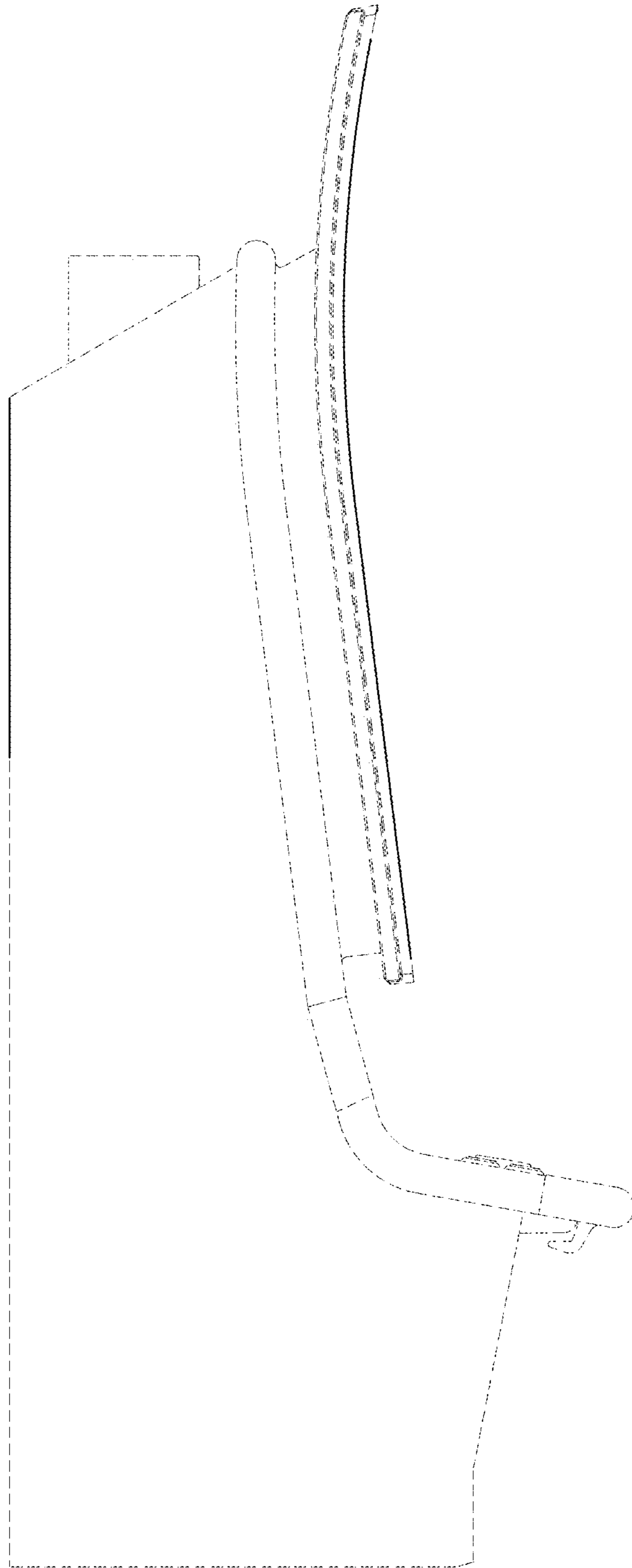


FIG. 4

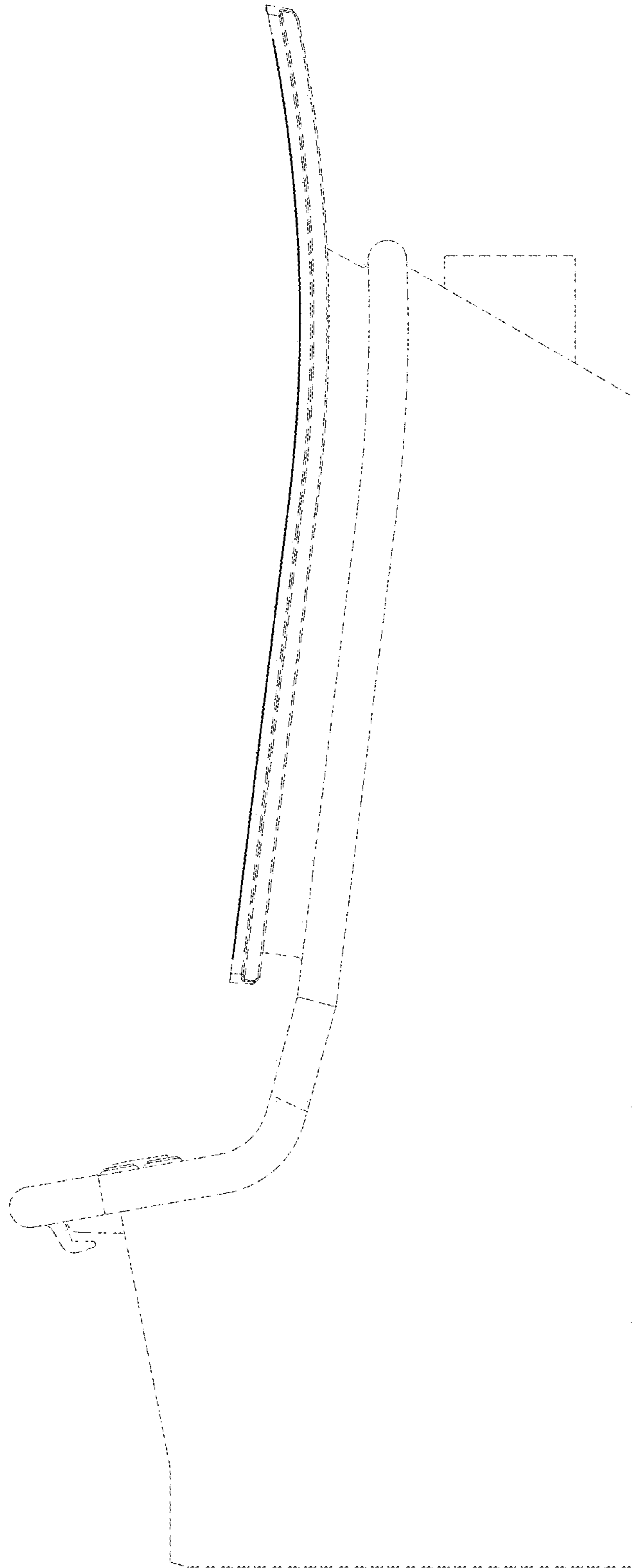


FIG. 5



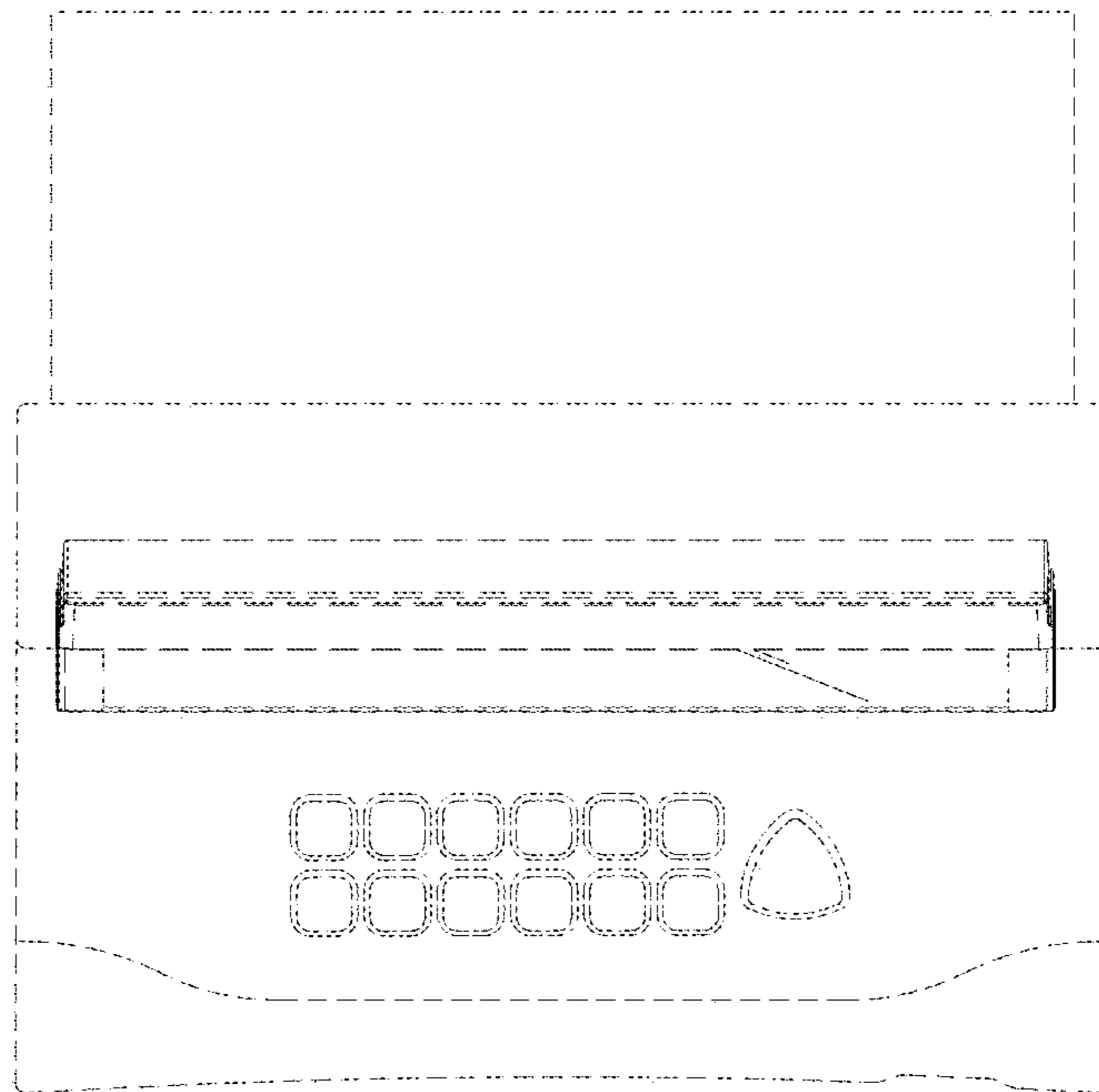


FIG. 6

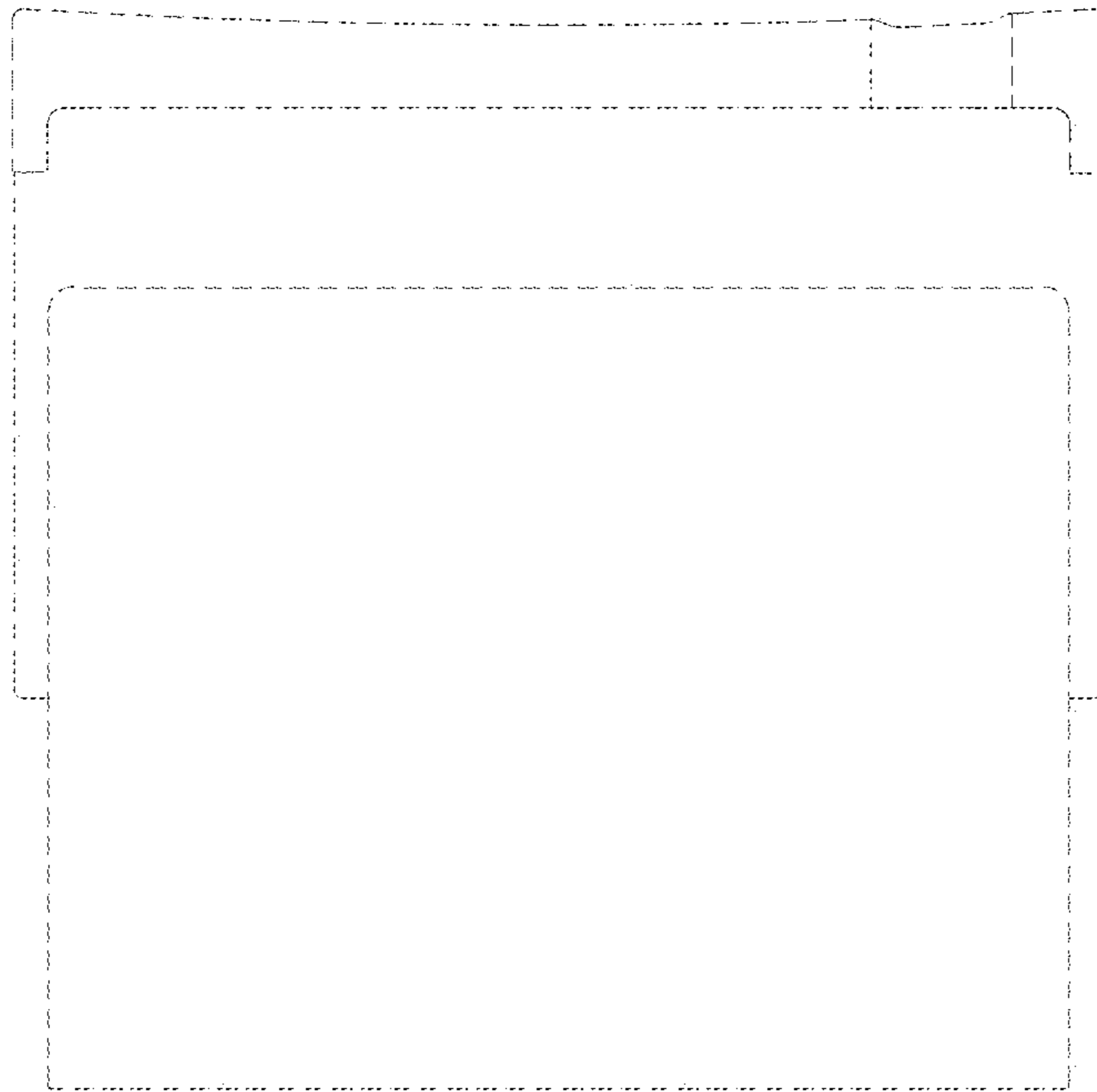


FIG. 7