



US00D964469S

(12) **United States Design Patent** (10) **Patent No.:** **US D964,469 S**
McVey et al. (45) **Date of Patent:** **** Sep. 20, 2022**

(54) **GAMING MACHINE**
(71) Applicant: **Incredible Technologies, Inc.**, Vernon Hills, IL (US)
(72) Inventors: **Bryan C. McVey**, Chicago, IL (US); **Lawrence J. Hodgson**, Las Vegas, NV (US); **Omar Torres**, Barrington, IL (US); **Thomas F. Costanzo**, Elmhurst, IL (US); **Daniel J. Schrementi**, Chicago, IL (US)

D865,374 S * 11/2019 Yang D6/310
D877,520 S * 3/2020 Estores D6/301
D895,986 S * 9/2020 Yang D6/312
D897,696 S * 10/2020 Zhou D6/310
D897,697 S * 10/2020 Liu D6/310
D905,440 S * 12/2020 Yang D6/310
D927,862 S * 8/2021 Yang D6/302
D935,792 S * 11/2021 Li D6/302
2005/0092889 A1 * 5/2005 Pence F16B 9/056
2011/0203046 A1 * 8/2011 Donnelly A47K 3/30
2021/0191063 A1 * 6/2021 Schenker A45D 42/18

(73) Assignee: **Incredible Technologies, Inc.**, Vernon Hills, IL (US)

FOREIGN PATENT DOCUMENTS
EM 0007229620015 * 5/2017

(**) Term: **15 Years**

OTHER PUBLICATIONS

(21) Appl. No.: **29/730,277**

Elmer's TriFold White Corrugate Display Board, first available June, 1,2012, Amazon.com [online], site visited Dec. 15, 2021], Available from internet URL: <https://bit.ly/3F2Z5r4> (Year: 2012).*

(22) Filed: **Apr. 2, 2020**

(51) **LOC (13) Cl.** **21-03**

* cited by examiner

(52) **U.S. Cl.**
USPC **D21/369**

Primary Examiner — Garth Rademaker
Assistant Examiner — Salamah Jordan

(58) **Field of Classification Search**
USPC D6/657, 662, 661, 663, 664.1, 667, 668, D6/669, 671, 671.1, 671.2, 672, 673; D14/129, 126, 127, 128.138 G, 172, 248, D14/307, 325, 341, 371, 374, 375, 401, D14/432, 439, 450; D21/325, 329, 369, D21/371, 370, 385, 394; D25/48.3, 48.7, D25/60

(74) *Attorney, Agent, or Firm* — Levenfeld Pearlstein, LLC

CPC A47B 67/005; A47G 1/04; A45F 3/14; A47K 3/30; A45D 42/18; B43L 1/06; G07F 17/34; G07F 17/3211; G07F 17/3213; G07F 17/3216; G07F 17/3244; G07F 17/3267; F16B 9/056

(57) **CLAIM**

The ornamental design for a gaming machine, as shown and described.

See application file for complete search history.

DESCRIPTION

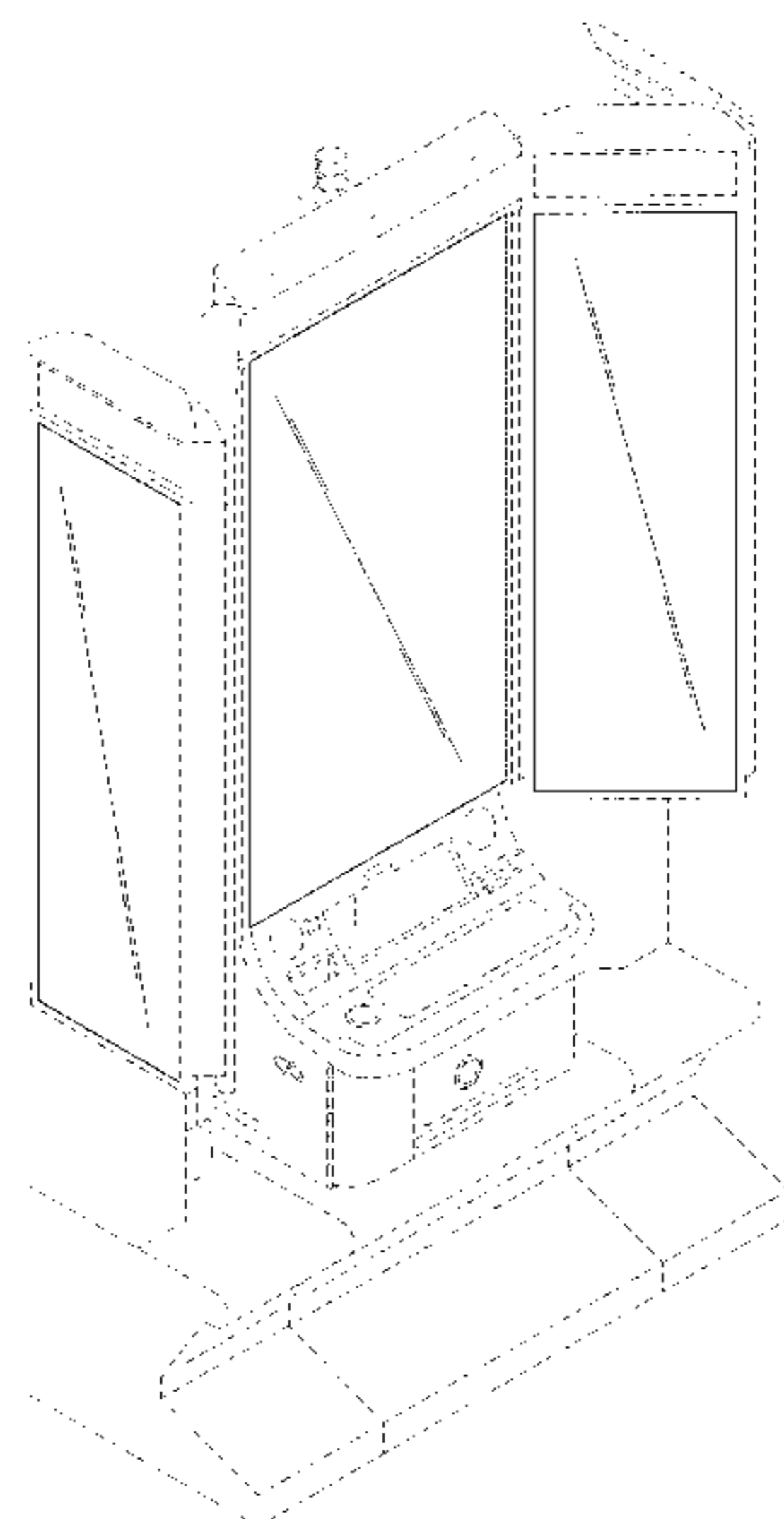
(56) **References Cited**

FIG. 1 is a perspective view of a gaming machine, showing our new design.
FIG. 2 is a front elevation view thereof.
FIG. 3 is a left side elevation view, the right side elevation view being a mirror image thereof; and,
FIG. 4 is a top plan view thereof.
The broken lines in the figures illustrate portions of the gaming machine that form no part of the claimed design.

U.S. PATENT DOCUMENTS

3,659,355 A * 5/1972 Aubin, Jr. B43L 1/06
D825,205 S * 8/2018 Liu D6/310

1 Claim, 4 Drawing Sheets



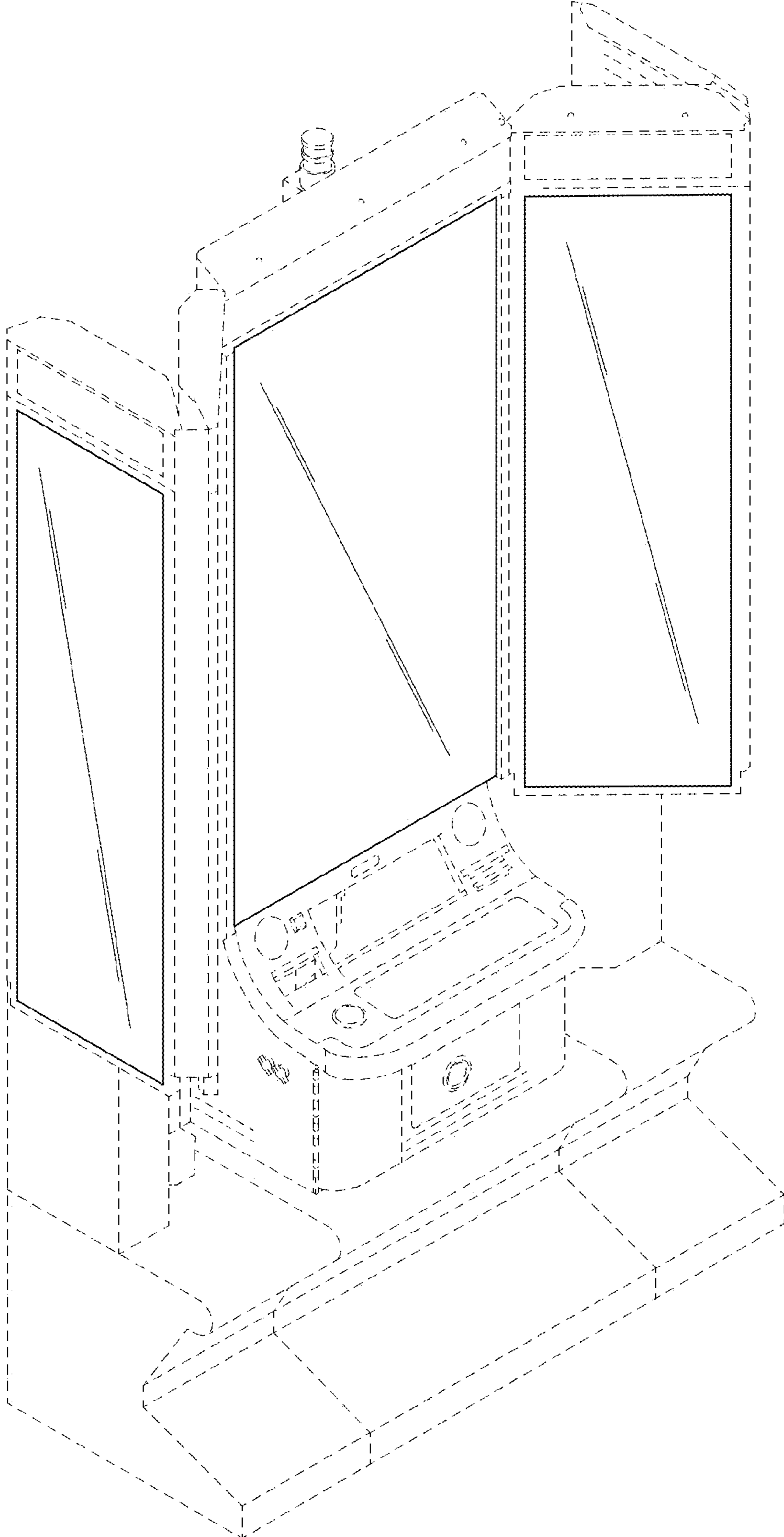


FIG. 1

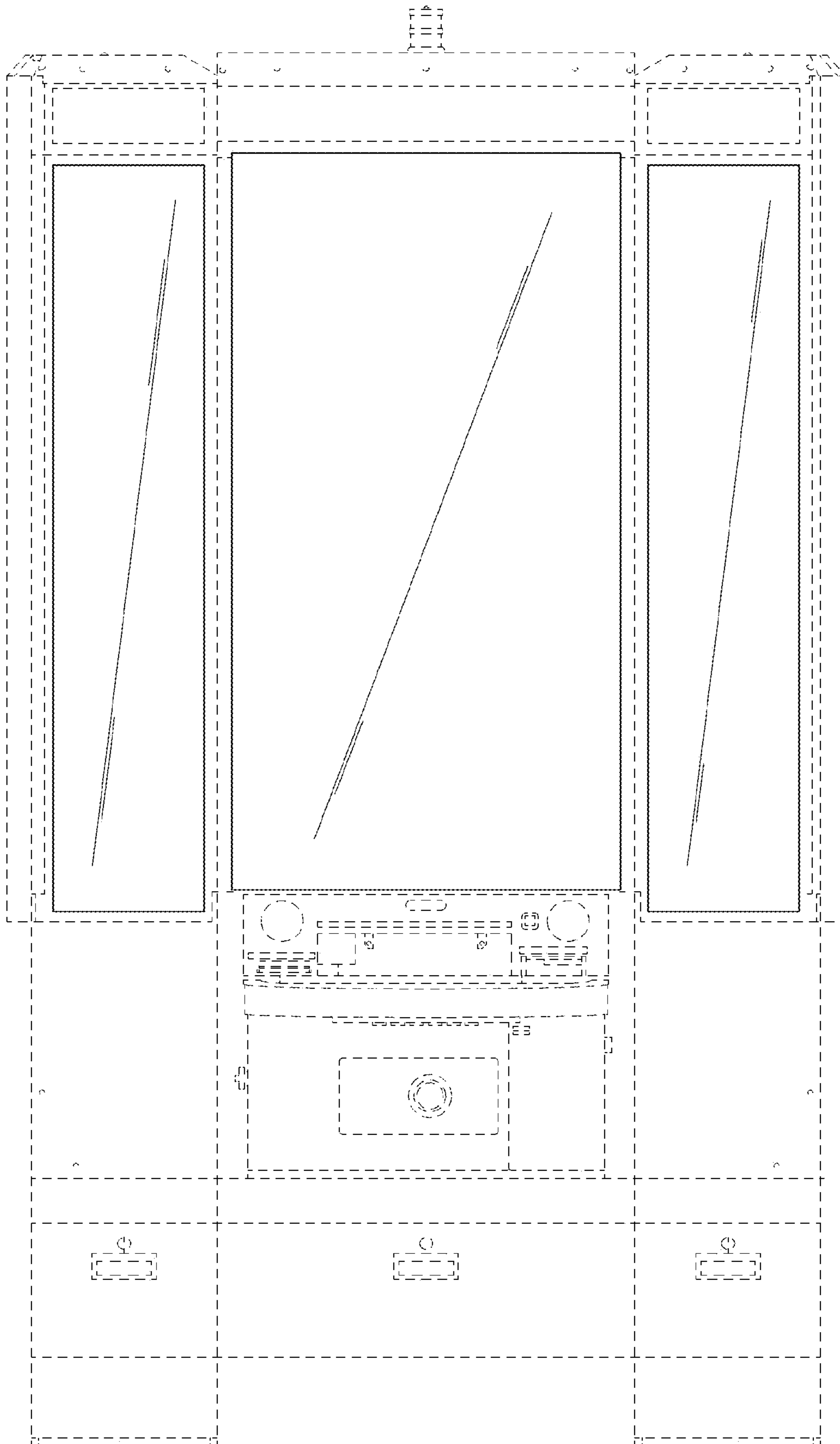


FIG. 2

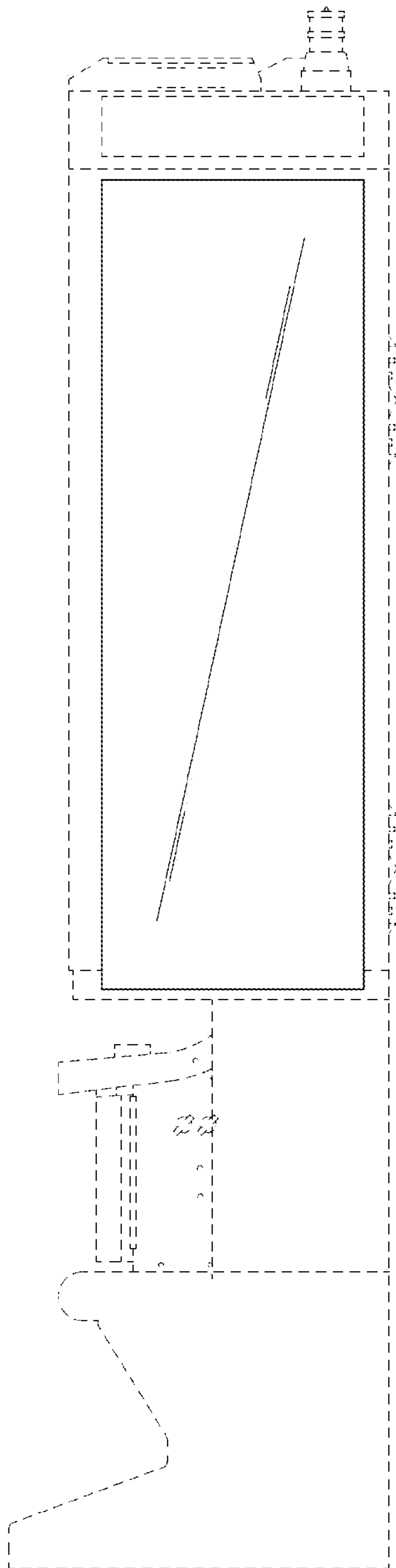


FIG. 3

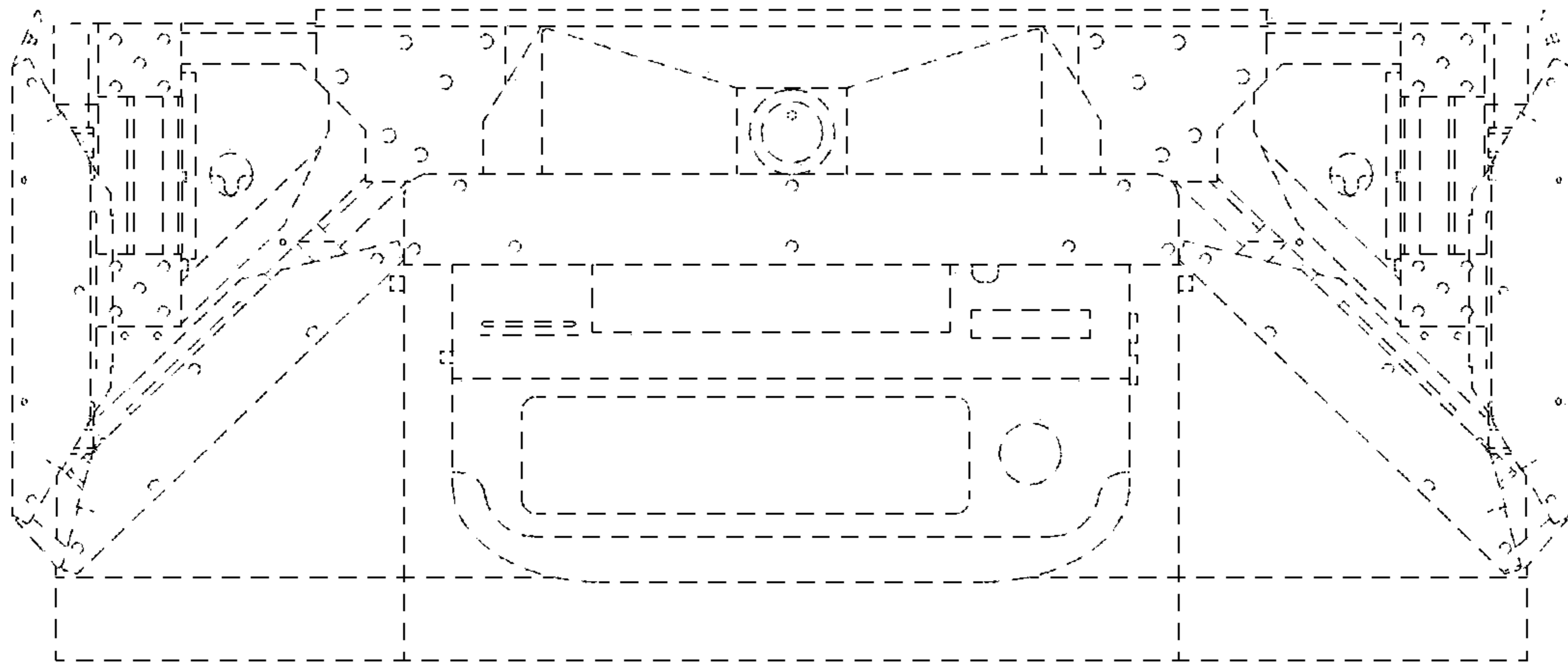


FIG. 4