



US00D964468S

(12) **United States Design Patent** (10) **Patent No.:** **US D964,468 S**
Wahliq, Sr. (45) **Date of Patent:** **** Sep. 20, 2022**

(54) **TABLETOP GAME**

(71) Applicant: **Jakeem Bashuri Wahliq, Sr.**, Oakland, CA (US)

(72) Inventor: **Jakeem Bashuri Wahliq, Sr.**, Oakland, CA (US)

(**) Term: **15 Years**

(21) Appl. No.: **29/652,047**

(22) Filed: **Apr. 24, 2020**

(51) **LOC (13) Cl.** **21-01**

(52) **U.S. Cl.**

USPC **D21/339**; D21/341; D21/355

(58) **Field of Classification Search**

USPC D21/334, 337-342, 355-359, 365, 318, D21/397, 323, 484, 486, 491, 500, 561; 273/242, 244-247, 259, 277, 287, 317.3, 273/108.1, 108.5, 118 D, 236-240, 283, 273/309, 441, 461, 108, 126 R, 398, 273/400-402, 317.1; D6/406.1, 406.3, D6/406.4, 406.6; D19/86, 92, 95, 87, D19/113, 75, 77, 78, 80, 64; 108/14, 62, 108/43, 67; 434/416, 247, 248, 251, 408, 434/413, 145, 430; D25/38.1, 41.1, 47.1, D25/48.2, 48.3, 48.8, 55, 58, 60, 61, 66, D25/68, 69, 102, 112, 113, 118, 119, 126, D25/127, 133, 134, 136, 138, 164, 199; 473/18-20, 4, 7, 12

CPC A63F 3/00; A63F 3/00003; A63F 3/00028; A63F 3/00041; A63F 3/00044; A63F 3/00047; A63F 3/00173; A63F 3/00176; A63F 3/00214; A63F 3/00261; A63F 3/00643; A63F 3/00646-00659; A63F 3/04; A63F 2003/00182; A63F 2003/00223; A63F 2003/00457; A63F 2003/0046; A63F 2003/00463; A63F 2003/00466; A63F 2003/0047; A63F 2003/00485; A63F 2003/00492; A63F 2003/00507; A63F 2003/00514; A63F 2003/00533; A63F 2003/00552; A63F

2003/00558; A63F 2003/00943; A63F 2003/00946; A63F 2003/00952-00962; A63F 2003/00974; A63F 7/00; A63F 7/06; A63F 7/0612; A63F 7/0604; A63F 7/0616-0636; A63F 7/07; A63F 7/30; A63F 7/36; A63F 7/0005; A63F 7/0017; A63F 7/0023; A63F 2007/0035; A63F 2007/367; A63F 2007/3674; A63D 15/005; A63D 15/006; A63B 69/00; A63B 69/002; A63B 69/0024; A63B 69/0026;

(Continued)

(56) **References Cited**

U.S. PATENT DOCUMENTS

1,523,686 A * 1/1925 Davies A63F 7/0612
273/317.3

D194,187 S * 12/1962 Maurer D21/339

(Continued)

Primary Examiner — Susan Moon Lee

(74) *Attorney, Agent, or Firm* — Dunlap Bennett & Ludwig, PLLC; Anna L. Kinney

(57) **CLAIM**

The ornamental design for a tabletop game, as shown and described.

DESCRIPTION

FIG. 1 is a top perspective view of a tabletop game according to my design;

FIG. 2 is a front elevation view thereof;

FIG. 3 is a rear elevation view thereof;

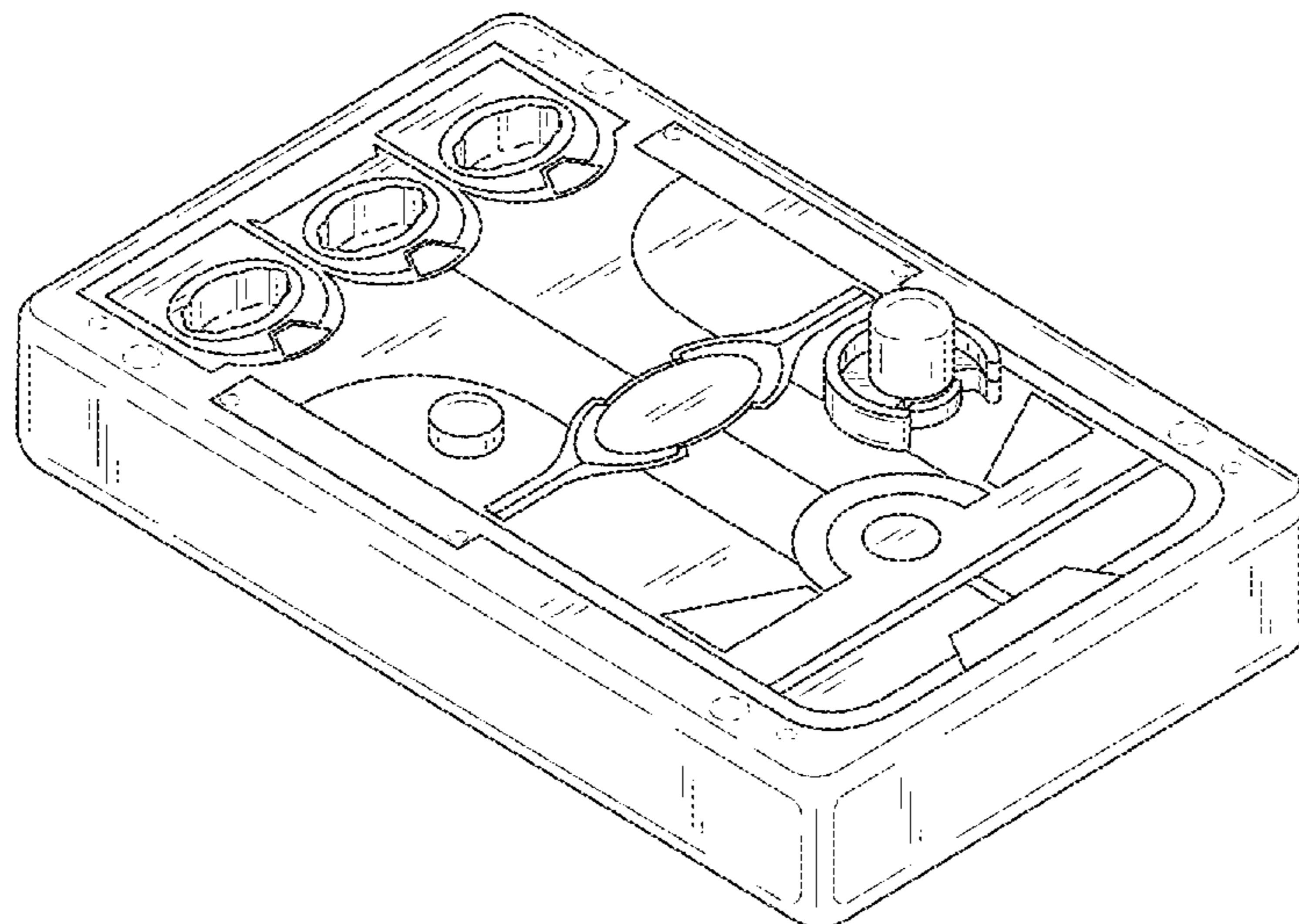
FIG. 4 is a left side elevation view thereof, the right side elevation view being a mirror image thereof;

FIG. 5 is a top plan view thereof; and,

FIG. 6 is a bottom plan view thereof.

The broken lines shown in the drawings depict portions of the tabletop game that form no part of the claimed design.

1 Claim, 4 Drawing Sheets



US D964,468 S

Page 2

(58) **Field of Classification Search**

CPC A63B 71/0608; A63B 2069/0004; G09B
19/0038

See application file for complete search history.

(56) **References Cited**

U.S. PATENT DOCUMENTS

3,685,170 A * 8/1972 Fairleigh G09B 1/08
281/31
3,762,711 A * 10/1973 Cooper A63F 7/0005
273/DIG. 26
3,811,674 A * 5/1974 Trbovich A63F 7/0612
273/357
3,827,691 A * 8/1974 Benander A63F 7/0612
273/126 R
3,907,294 A * 9/1975 Breslow A63F 7/0005
473/109
D237,517 S * 11/1975 Andersson D21/339
4,060,245 A * 11/1977 Gamez Duch A63F 7/0668
273/108.5
4,261,568 A * 4/1981 Such A63F 7/0668
D21/339
D262,722 S * 1/1982 Tsuyuki D21/328
D263,725 S * 4/1982 Booth D21/339

D285,579 S * 9/1986 Hill D21/339
D321,911 S * 11/1991 Brady D19/96
5,092,595 A * 3/1992 Daravina A63F 7/0668
273/118 A
5,123,653 A * 6/1992 Murphy A63F 3/00047
273/244
5,263,866 A * 11/1993 Campbell B43L 1/00
434/416
D345,384 S * 3/1994 Tataryn D21/339
D347,026 S * 5/1994 Young D21/318
D351,867 S * 10/1994 Rafferty D21/339
5,423,537 A * 6/1995 Santana A63F 7/0668
273/129 R
D377,669 S * 1/1997 Walker D21/358
5,827,072 A * 10/1998 Neuffer A63B 69/0071
434/416
D430,225 S * 8/2000 Waterman D21/366
D476,697 S * 7/2003 Guridi D21/321
D562,910 S * 2/2008 Champion D21/321
7,510,185 B2 * 3/2009 Tsai A63B 67/04
273/108.5
D604,772 S * 11/2009 Tower D21/318
D771,192 S * 11/2016 McKissick D21/339
11,052,305 B2 * 7/2021 Choi G03B 21/14
2005/0253330 A1 * 11/2005 Navarro A63F 7/06
273/108

* cited by examiner

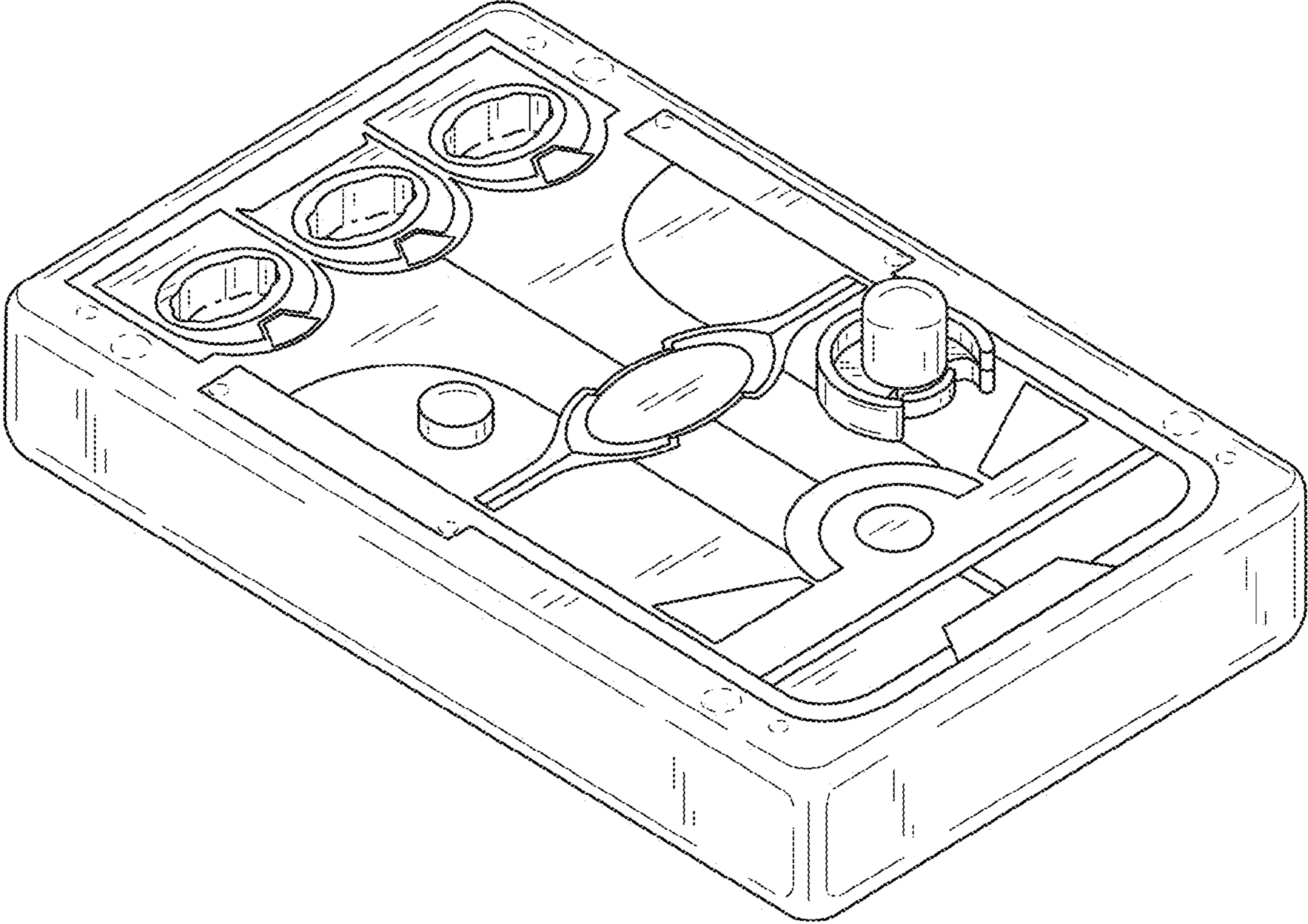


FIG. 1

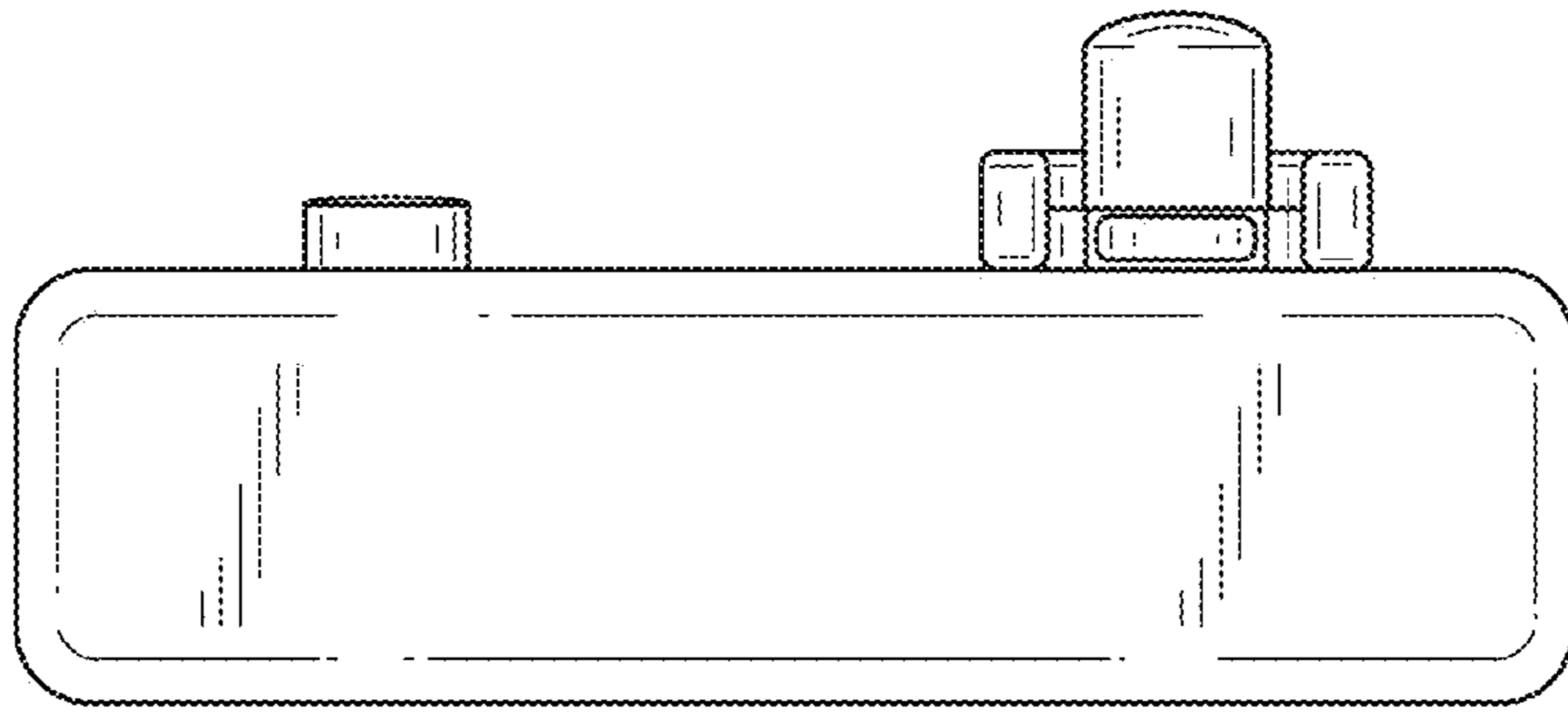


FIG. 2

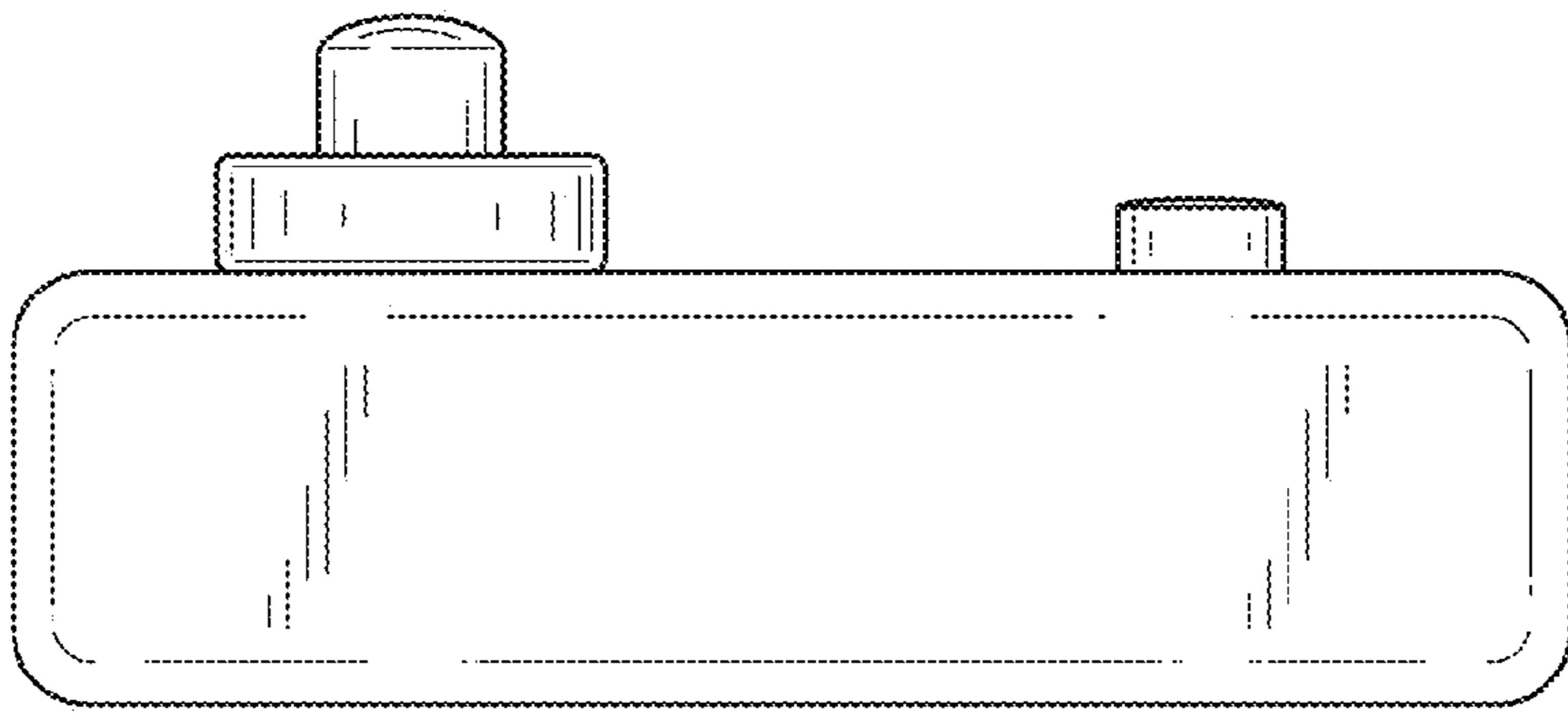


FIG. 3

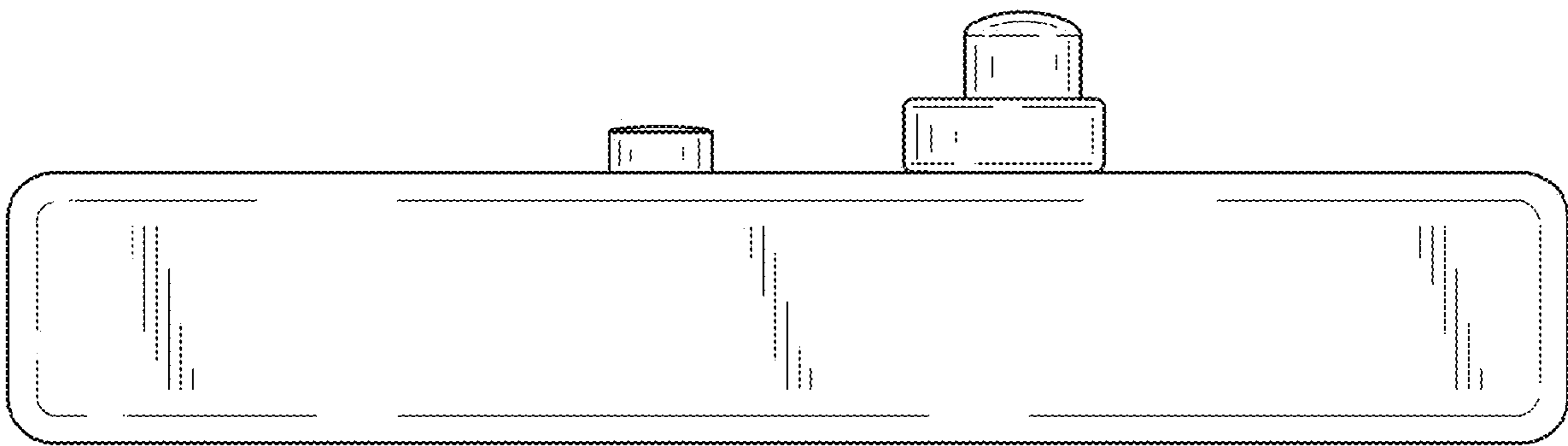


FIG. 4

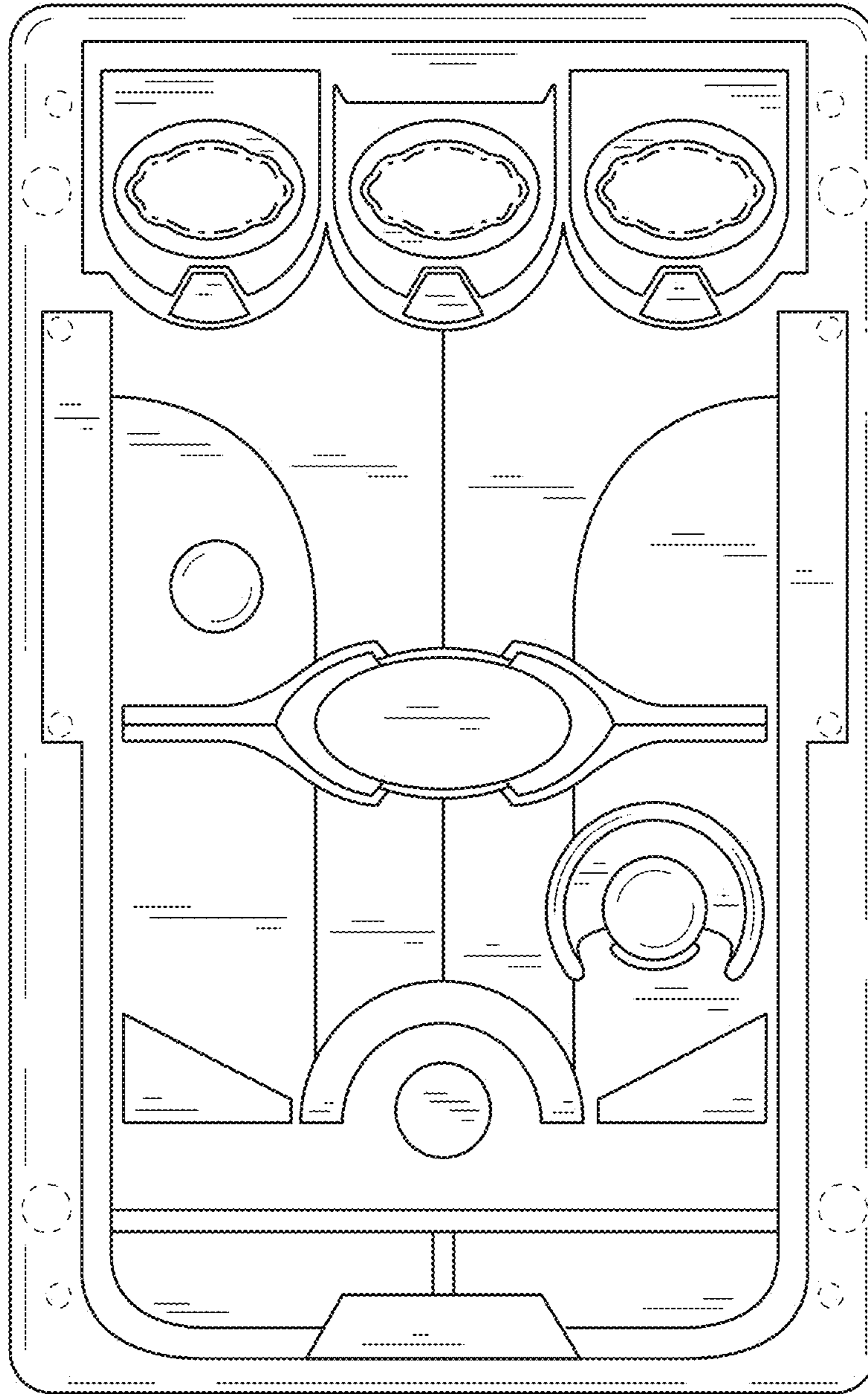


FIG. 5

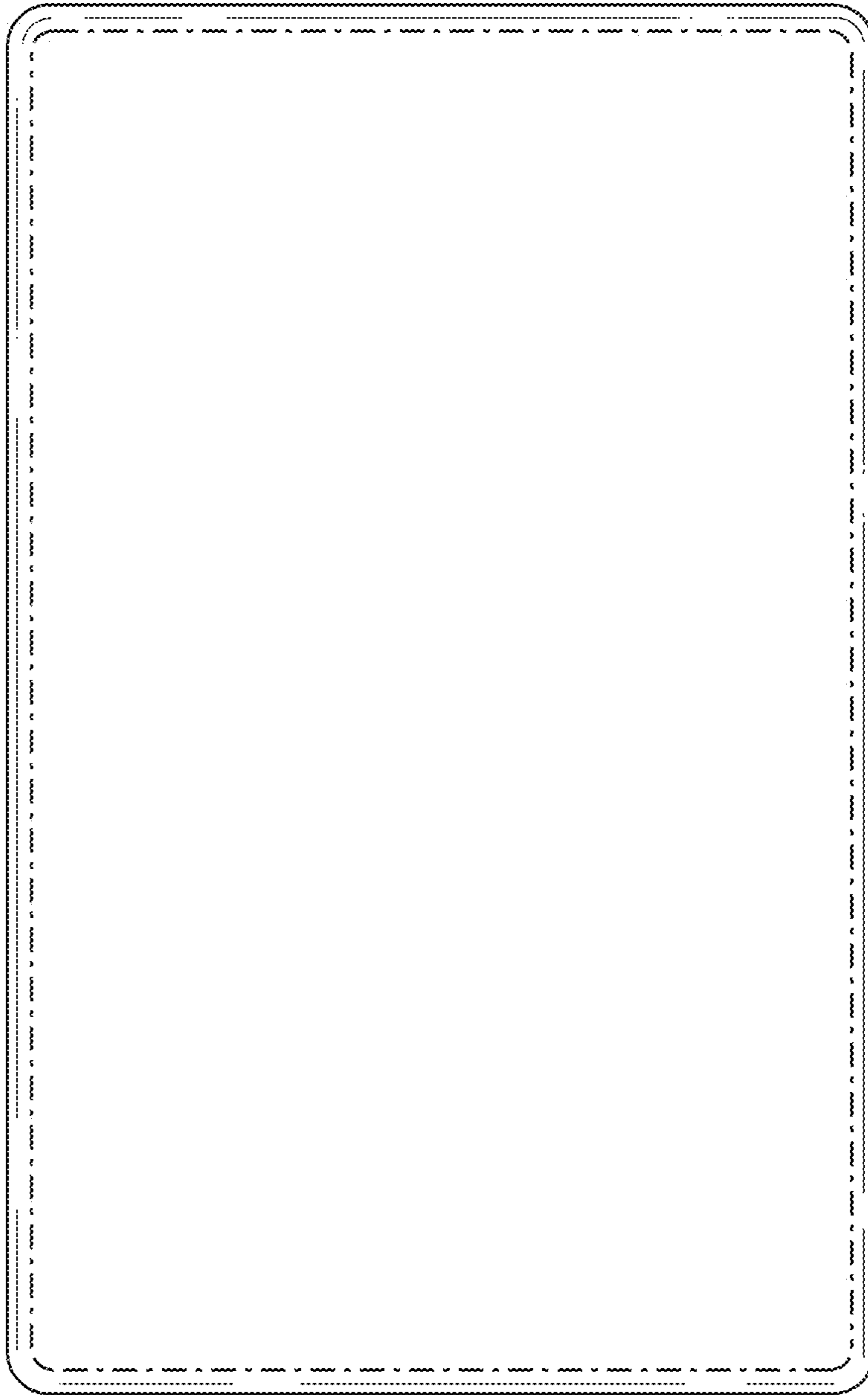


FIG. 6