



US00D964462S

(12) **United States Design Patent**  
**Astete**

(10) **Patent No.:** **US D964,462 S**  
(45) **Date of Patent:** **\*\* Sep. 20, 2022**

(54) **FINGER-BALL CHALLENGER TOY**

(71) Applicant: **David Gustavo Astete**, Alexandria, VA  
(US)

(72) Inventor: **David Gustavo Astete**, Alexandria, VA  
(US)

(\*\*) Term: **15 Years**

(21) Appl. No.: **29/750,050**

(22) Filed: **Sep. 10, 2020**

**Related U.S. Application Data**

(63) Continuation-in-part of application No. 29/750,049, filed on Sep. 10, 2020, and a continuation-in-part of application No. 29/749,873, filed on Sep. 9, 2020, which is a continuation-in-part of application No. 29/749,875, filed on Sep. 9, 2020.

(51) **LOC (13) Cl.** ..... **21-01**

(52) **U.S. Cl.**  
USPC ..... **D21/303**

(58) **Field of Classification Search**

USPC ..... D21/300, 301, 302, 303, 304, 305, 309,  
D21/310, 312, 313, 314, 315, 699, 701,  
D21/702, 703, 704, 705, 706, 707, 708,  
D21/759, 781, 789  
CPC ..... A63B 65/00; A63B 1/00; A63B 67/00;  
A63B 63/00; A63B 63/04; A63B 63/045;  
A63B 63/08; A63B 67/06; A63B 47/001;  
A63B 69/0086; A63B 2208/0204; A63B  
67/083; A63B 67/10; A63B 67/22; A63F  
1/067; A47B 25/00

See application file for complete search history.

(56) **References Cited**

**U.S. PATENT DOCUMENTS**

1,339,846 A \* 5/1920 Downey ..... A63F 9/0204  
273/389  
3,398,955 A \* 8/1968 Rakestraw ..... A63B 69/0079  
273/400

D266,860 S \* 11/1982 Nelson ..... D21/717  
D306,058 S \* 2/1990 Blake ..... D21/721  
5,163,680 A \* 11/1992 Amron ..... A63B 63/083  
273/371  
5,368,306 A \* 11/1994 Madsen ..... A63B 67/083  
273/412  
D388,850 S \* 1/1998 Ranger ..... D21/759  
D403,483 S \* 12/1998 Bernatz ..... D32/35  
D429,301 S \* 8/2000 Ranger ..... D21/759  
D577,258 S \* 9/2008 Mansfield ..... D7/509

(Continued)

Primary Examiner — Mehri F Bajoul

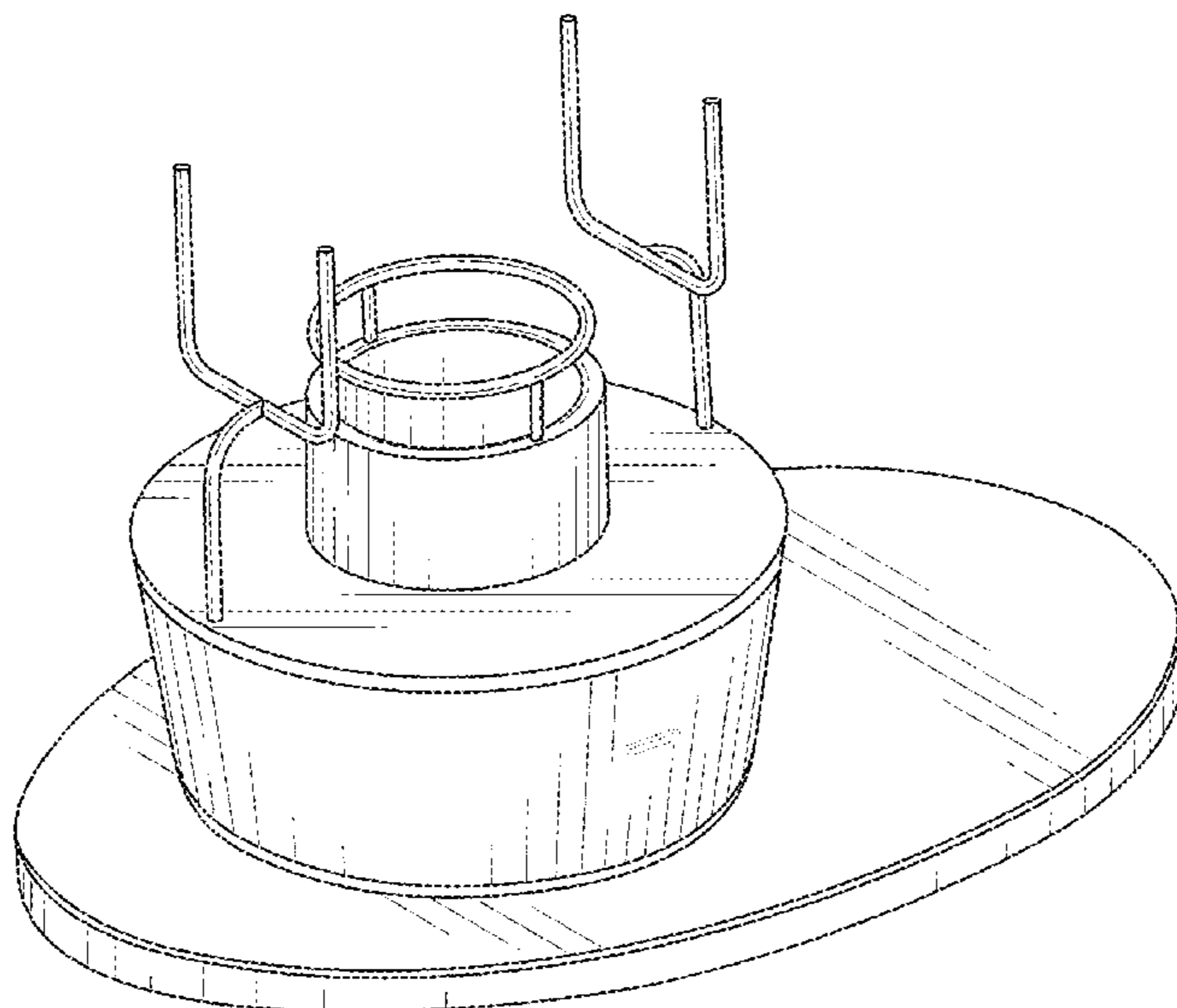
(57) **CLAIM**

The ornamental design for a finger-ball challenger toy, as shown and described.

**DESCRIPTION**

FIG. 1 is a top-front-left perspective view of a finger-ball challenger toy showing my new design; FIG. 2 is a bottom-rear-right perspective view thereof; FIG. 3 is a front elevated view thereof; FIG. 4 is a rear elevated view thereof; FIG. 5 is a top plan view thereof; FIG. 6 is a bottom plan view thereof; FIG. 7 is a right elevated view thereof; FIG. 8 is a left elevated view thereof; FIG. 9 is a top-front-left perspective view thereof showing the claimed design in condition of use; and, FIG. 10 is a top-front-left perspective view thereof. The broken line showing of the cup's bottom surface, in FIG. 5, depicts portion of the finger-ball challenger toy that forms no part of the claimed design. The broken lines showing of the connectors, in FIGS. 1-2 and 7-10, a tethered ball, a finger fastener, and a field signage, in FIGS. 9-10, illustrate environmental structure and form no part of the claimed design.

**1 Claim, 10 Drawing Sheets**



(56)

**References Cited**

U.S. PATENT DOCUMENTS

7,641,199	B1 *	1/2010	Clarke	.....	A63B 67/10 273/330
D633,948	S *	3/2011	Roach	.....	D21/303
D729,320	S *	5/2015	Parker	.....	D21/303
D761,622	S *	7/2016	Kushner	.....	D21/300
D804,900	S *	12/2017	Choe	.....	D7/509
D809,607	S *	2/2018	Digiacomio	.....	D21/333
D812,162	S *	3/2018	Hassey	.....	D21/759
D856,430	S *	8/2019	Cangi	.....	D21/303
D873,347	S *	1/2020	Mauro	.....	D21/302
D878,504	S *	3/2020	Parham	.....	D21/698
D879,226	S *	3/2020	Parham	.....	D21/698
D892,228	S *	8/2020	Waxkirsh	.....	D21/309
D903,025	S *	11/2020	Davis	.....	D21/789
D936,775	S *	11/2021	Yevchak	.....	D21/789
2011/0121512	A1 *	5/2011	Walker, Jr.	.....	A63B 67/10 273/333

\* cited by examiner

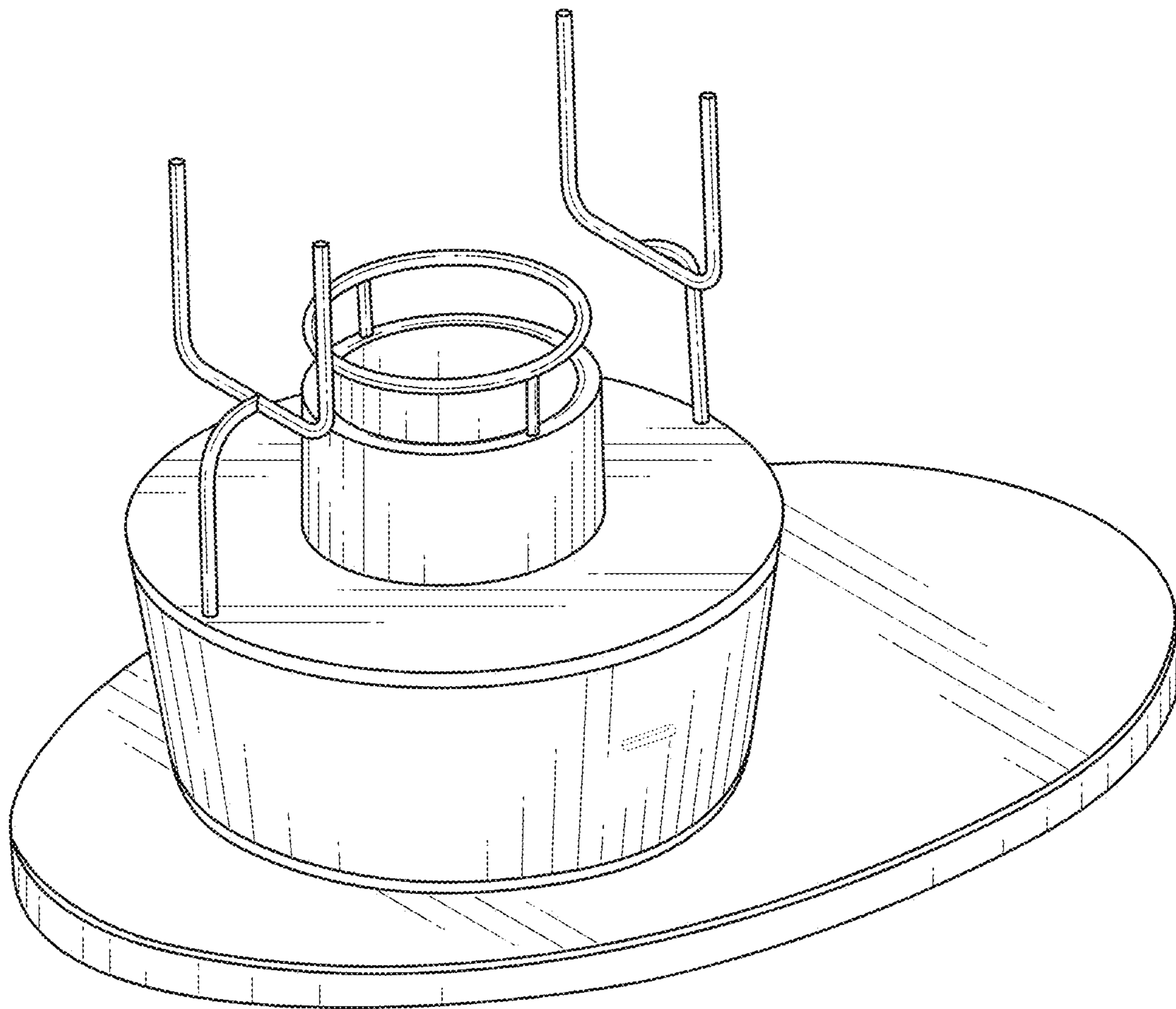


FIG. 1

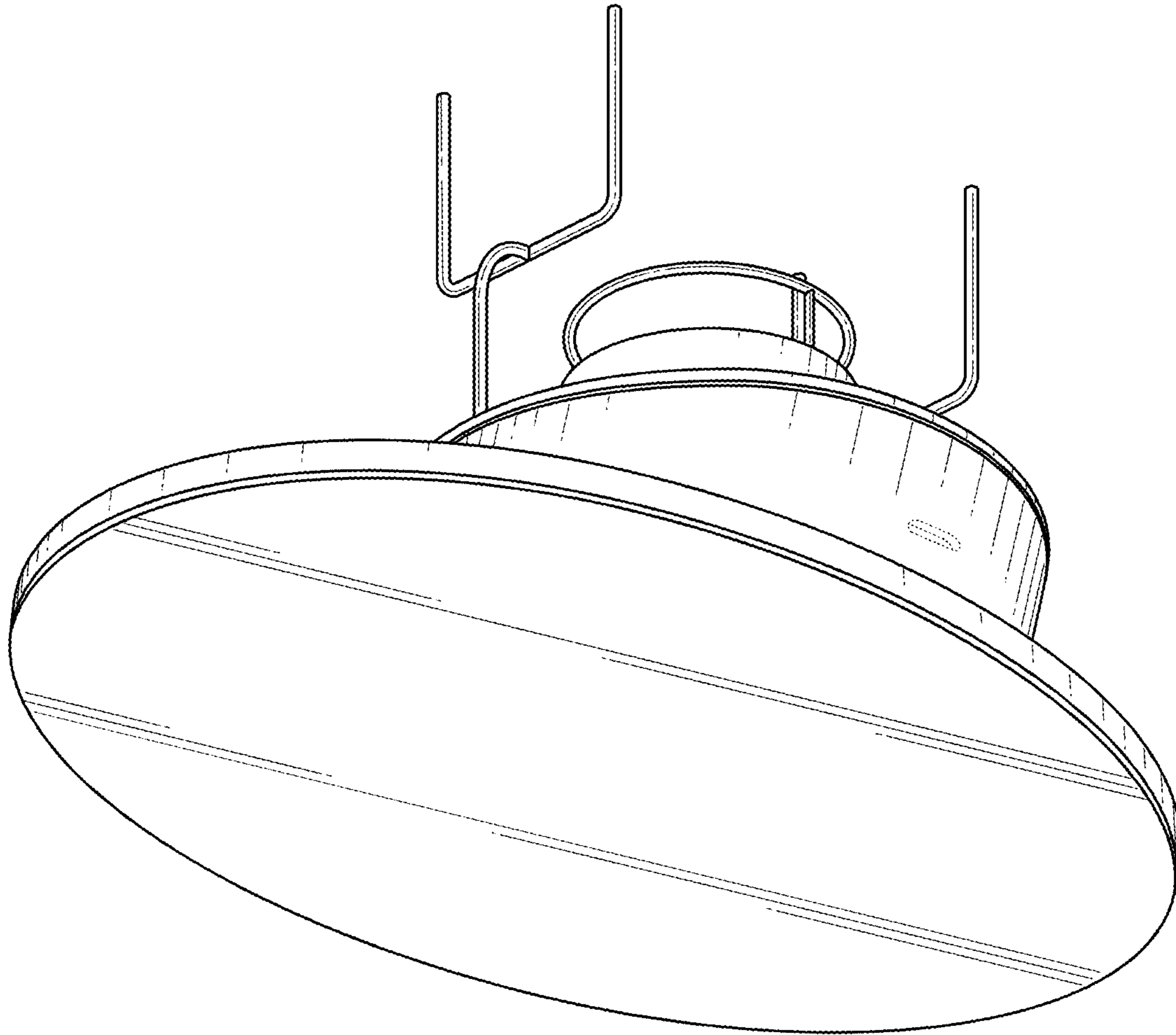


FIG. 2

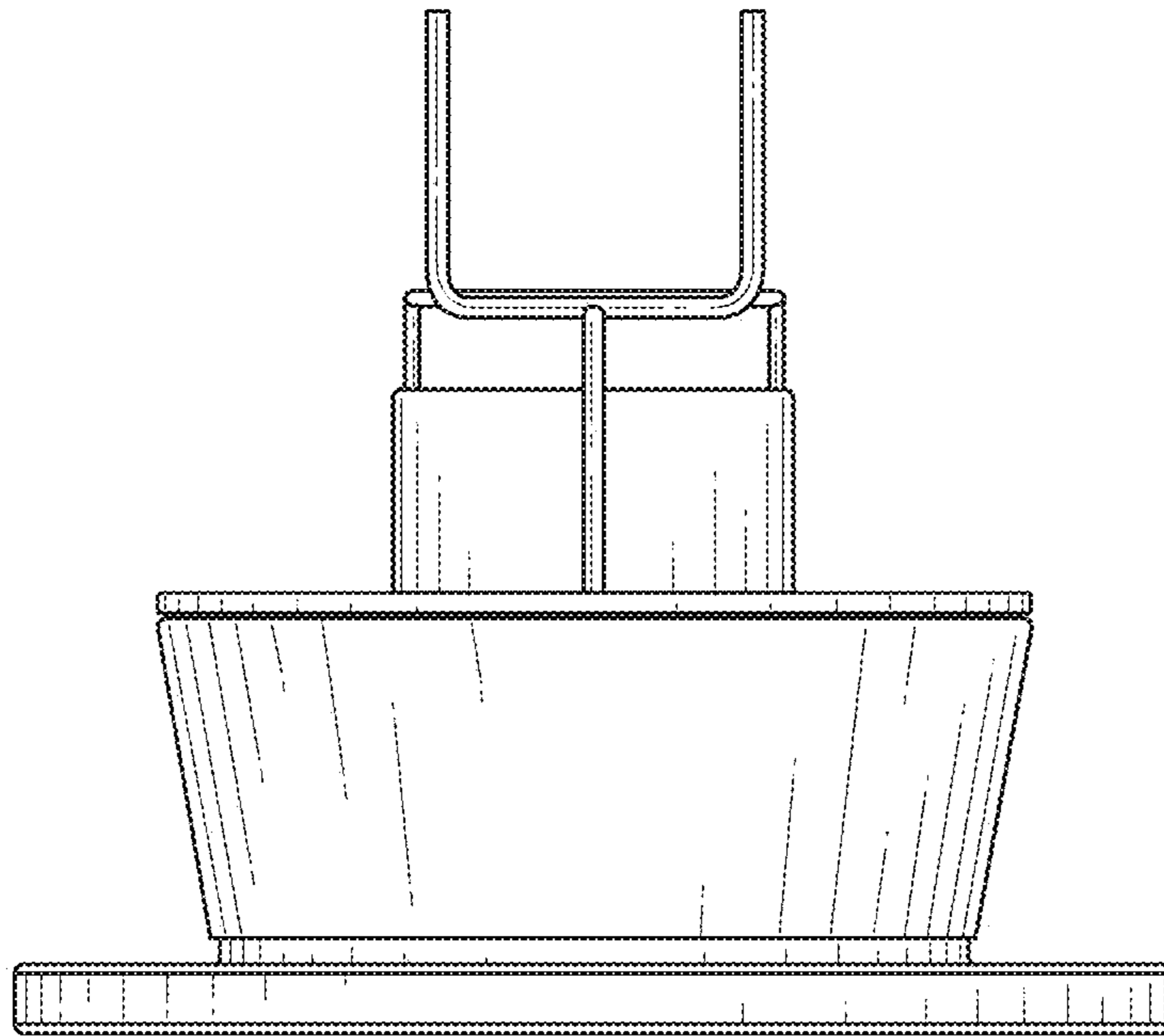


FIG. 3

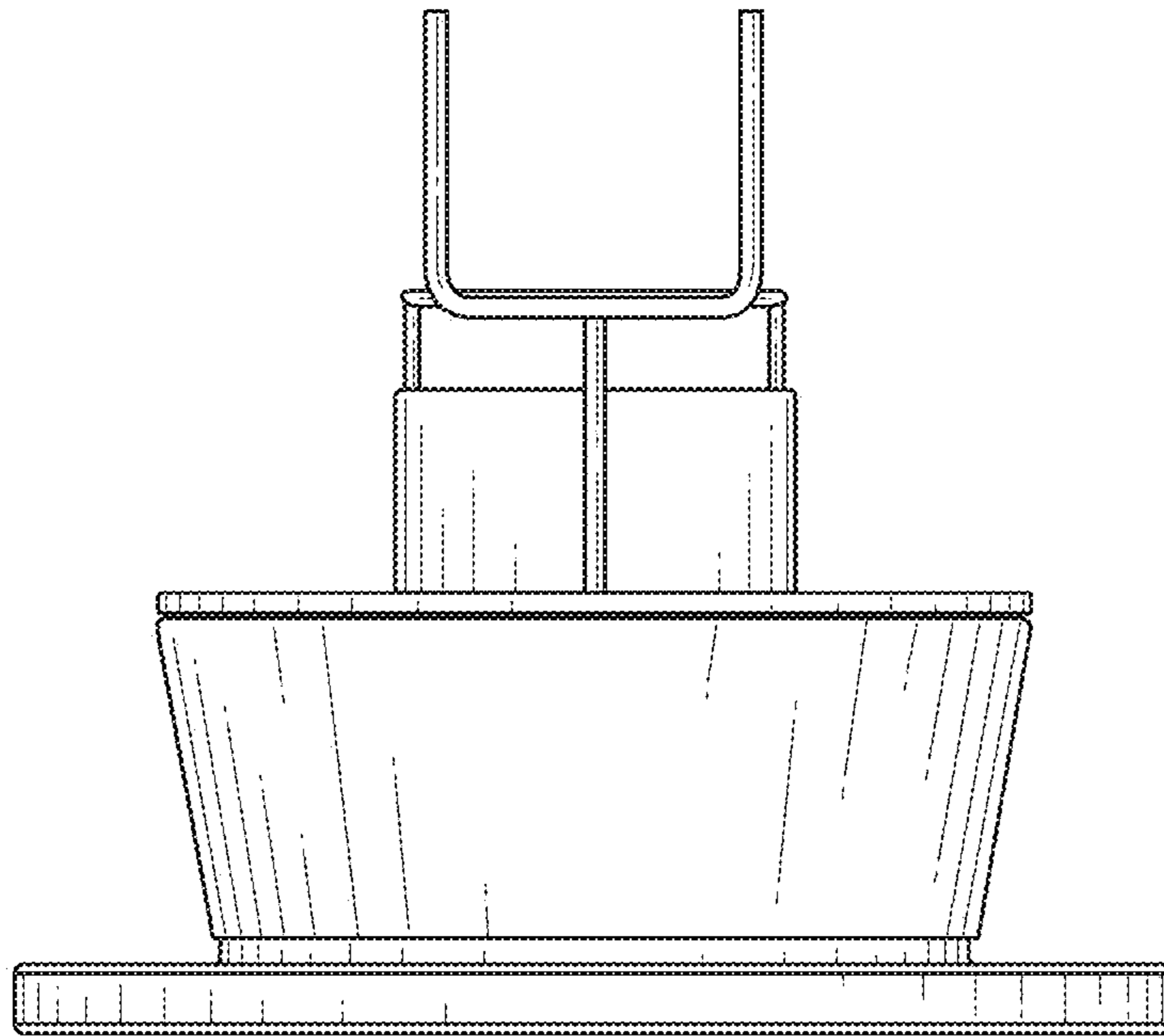


FIG. 4

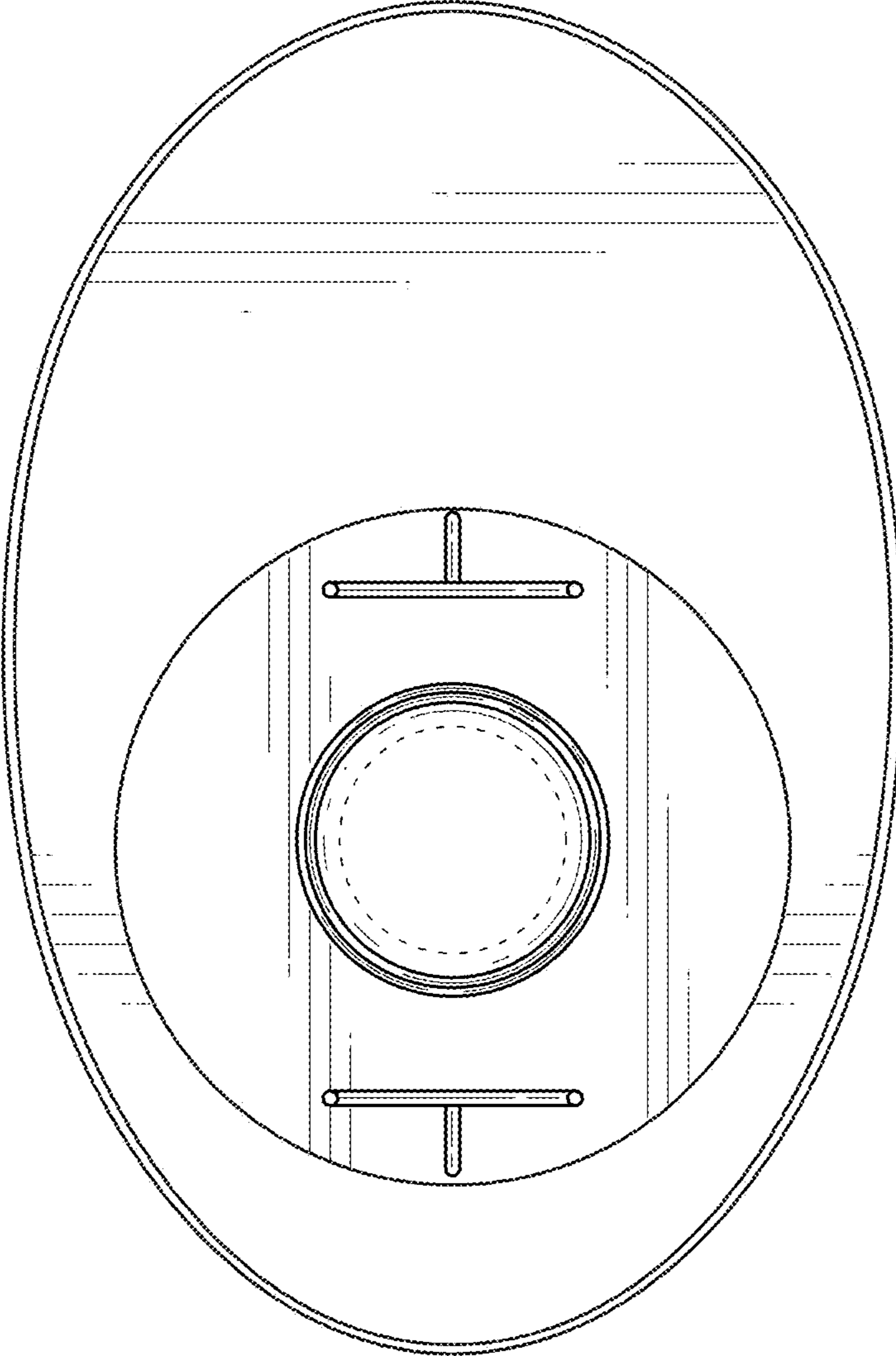


FIG. 5

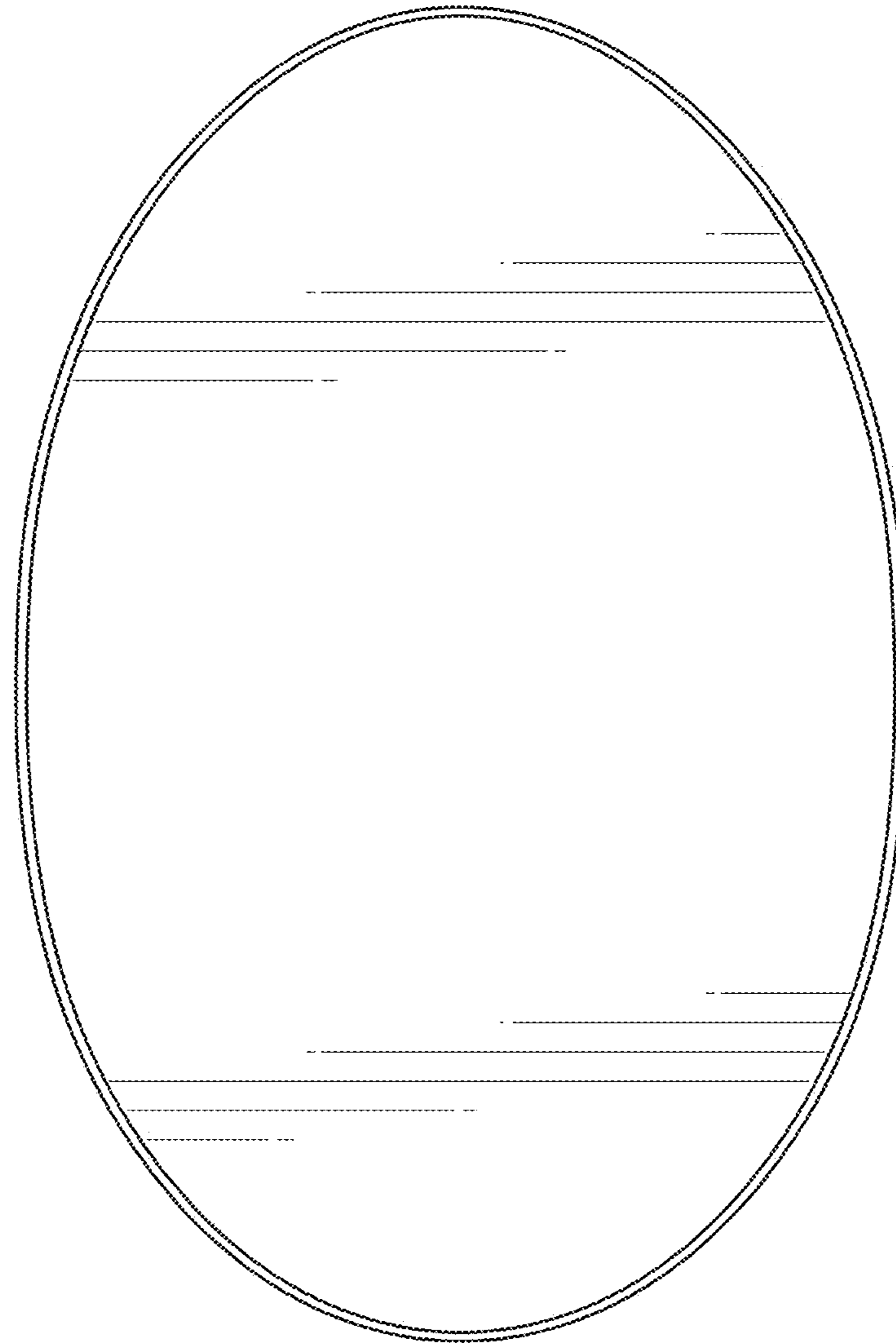


FIG. 6



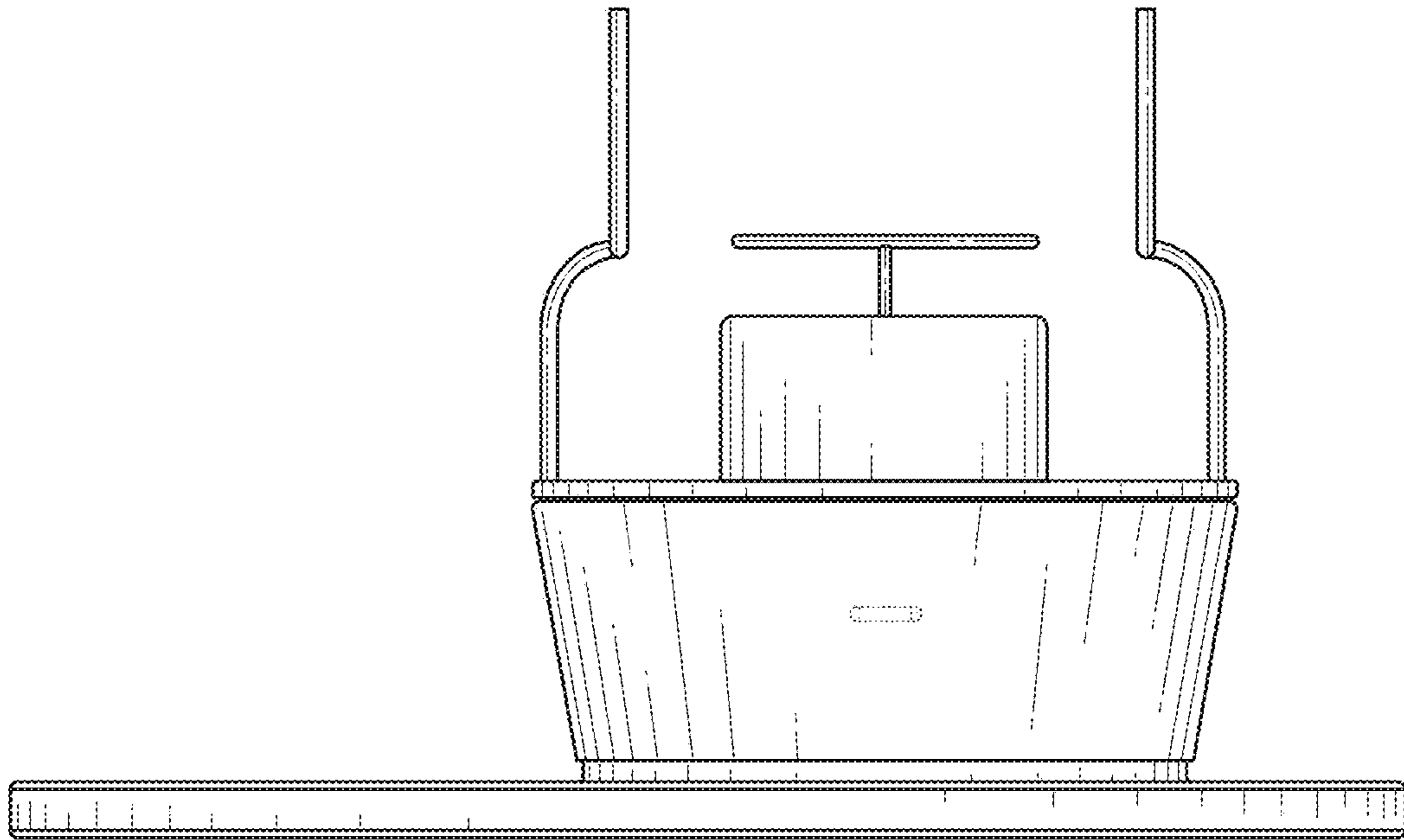


FIG. 7

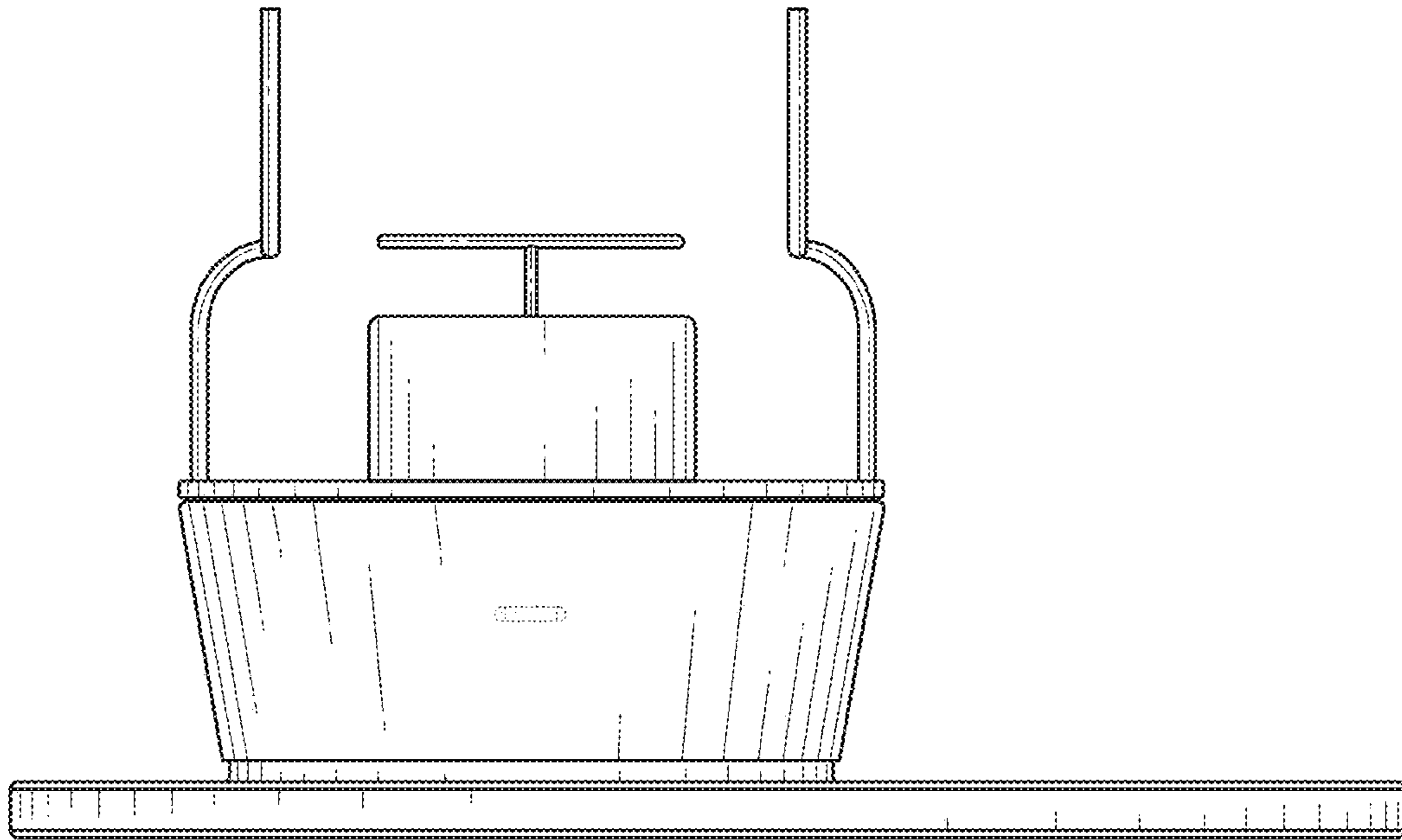


FIG. 8

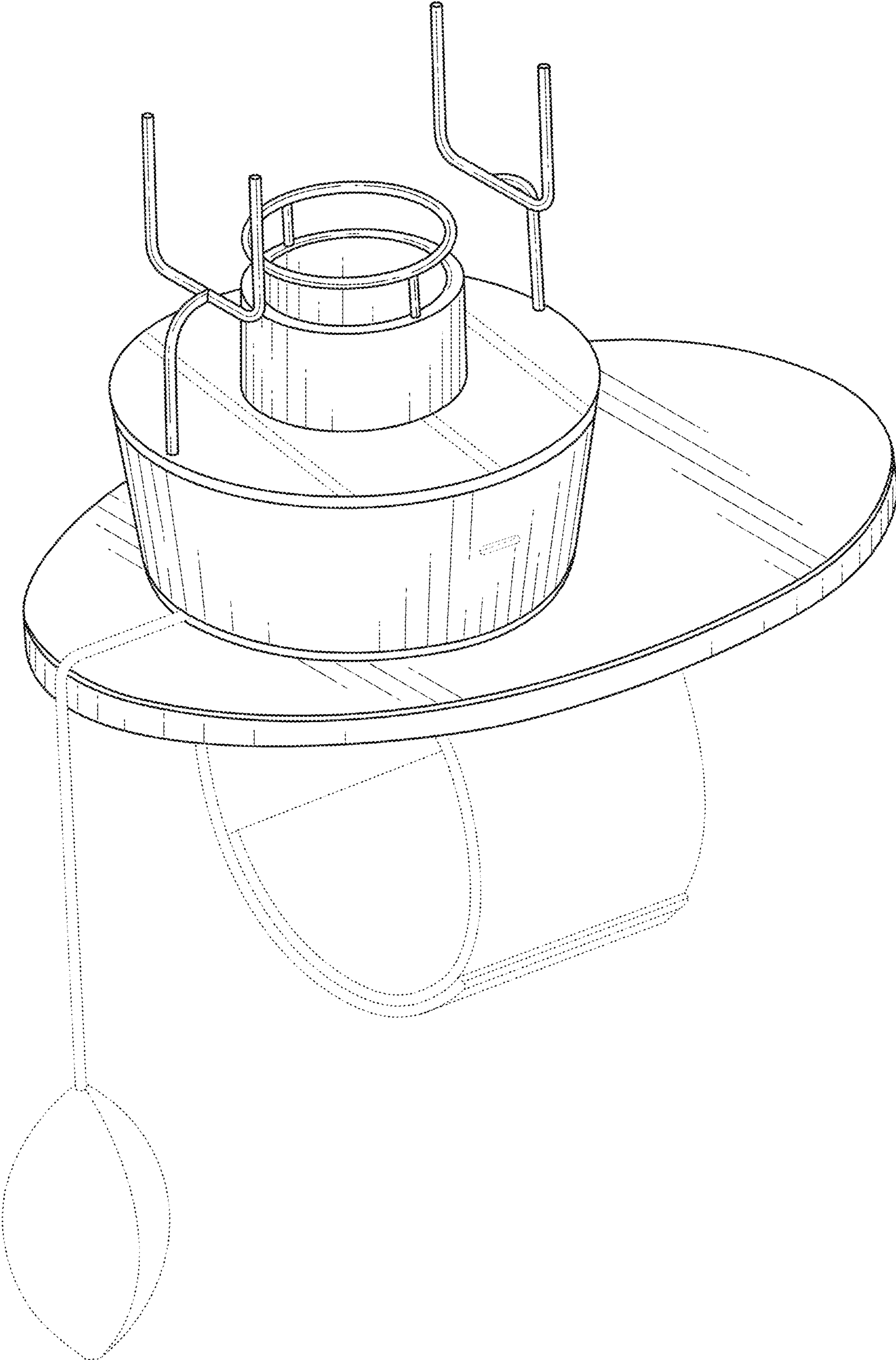


FIG. 9

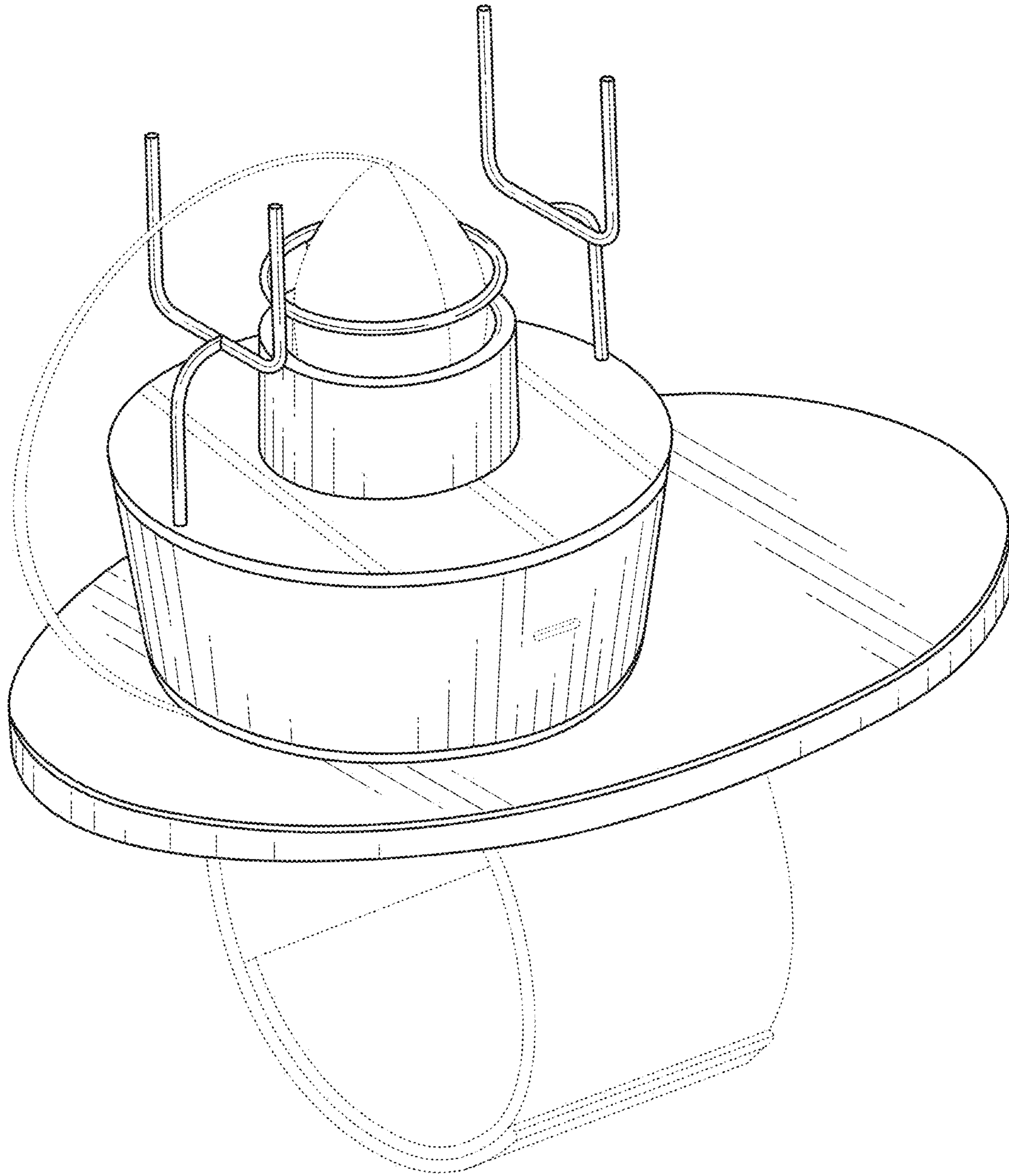


FIG. 10