



US00D964459S

(12) **United States Design Patent** (10) **Patent No.:** **US D964,459 S**
Asano (45) **Date of Patent:** **** Sep. 20, 2022**

- (54) **PRINTER**
- (71) Applicant: **BROTHER INDUSTRIES, LTD.**,
Nagoya (JP)
- (72) Inventor: **Masahide Asano**, Nagoya (JP)
- (73) Assignee: **BROTHER INDUSTRIES, LTD.**,
Nagoya (JP)
- (**) Term: **15 Years**
- (21) Appl. No.: **29/690,446**
- (22) Filed: **May 8, 2019**
- (30) **Foreign Application Priority Data**
Nov. 8, 2018 (JP) 2018-024530
- (51) **LOC (13) Cl.** **14-02**
- (52) **U.S. Cl.**
USPC **D18/50**
- (58) **Field of Classification Search**
USPC D18/50, 53, 54, 55, 56, 59, 36, 37, 38,
D18/39, 40, 41, 45; D14/301, 307, 121
CPC H04N 1/00278; H04N 1/00204; H04N
1/00249; G06K 15/12; G06K 15/14; B41J
3/00; B41J 3/28; B41J 3/445; B41J 3/46
See application file for complete search history.

- (56) **References Cited**
U.S. PATENT DOCUMENTS
D614,234 S * 4/2010 Ishikawa D18/55
D648,377 S * 11/2011 Miyauchi D18/50
D665,015 S * 8/2012 Matsuno D18/50
D667,489 S * 9/2012 Inoue D18/55
D678,402 S * 3/2013 Sato D18/50
D720,803 S * 1/2015 Inada D18/50
D730,437 S * 5/2015 Seki D18/50
D737,895 S * 9/2015 Nanno D18/50

- D743,483 S 11/2015 Nanno et al.
- D743,484 S 11/2015 Nanno et al.
- D752,138 S * 3/2016 Seki D18/50
- D770,565 S * 11/2016 Tanaka D18/50
- D806,790 S * 1/2018 Sato D18/50
- D815,683 S * 4/2018 Tanaka D18/50
- D827,021 S 8/2018 Asano et al.
- D942,536 S * 2/2022 Odachi D18/53

FOREIGN PATENT DOCUMENTS

- ID D0000043749-0001 * 5/2016
- JP D1619361 * 11/2021
- JP D1619362 * 11/2021

(Continued)

OTHER PUBLICATIONS

Amazon. Link: <https://www.amazon.com/Brother-MFCJ6945DW-INKvestment-Wireless-Printing/dp/B07GD52JR4>. Sep. 4, 2018. Brother Inkjet Printer, MFCJ6945DW (Year: 2018).*

(Continued)

Primary Examiner — Lauren D McVey
(74) *Attorney, Agent, or Firm* — Oliff PLC

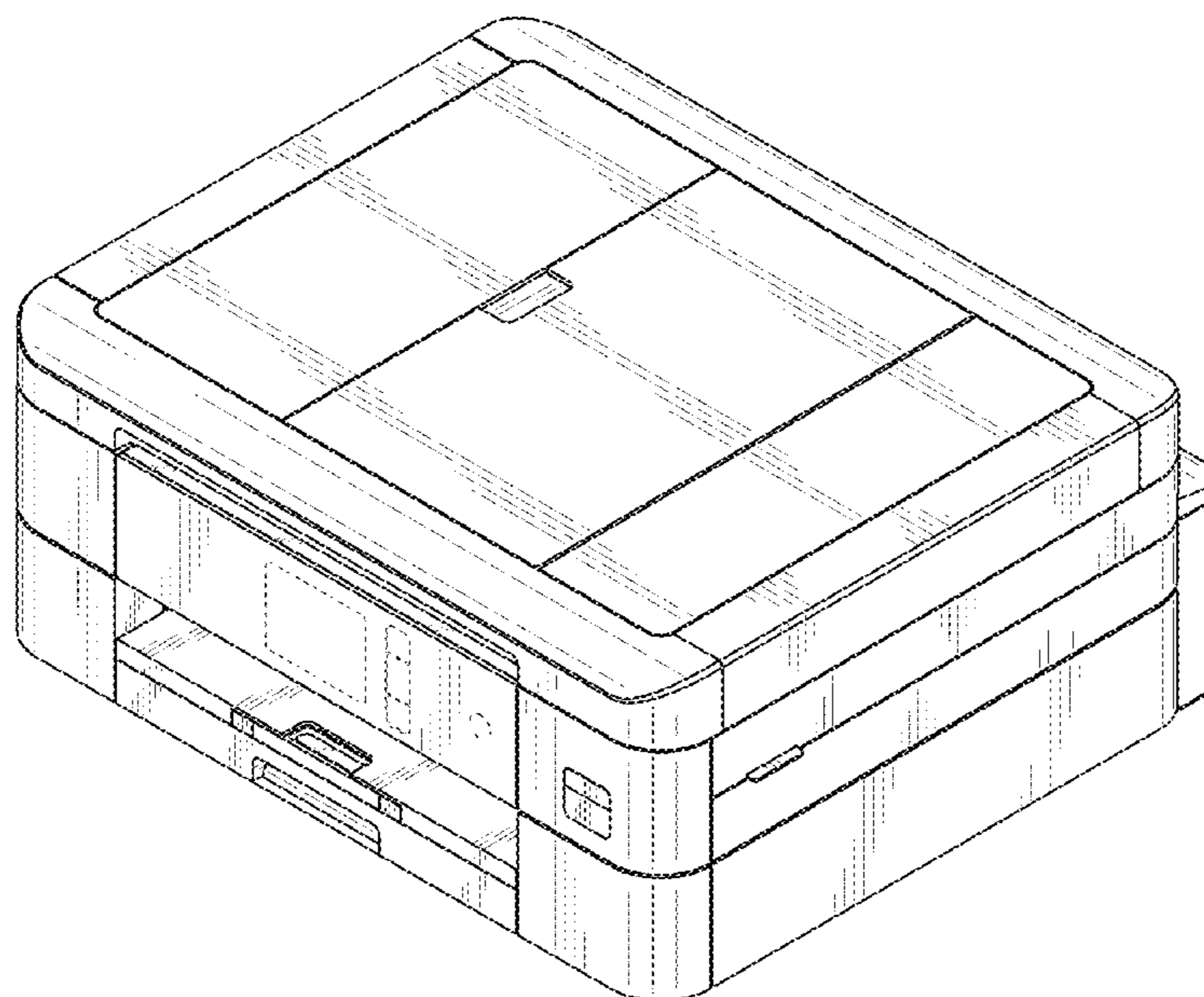
(57) **CLAIM**

The ornamental design for a printer, as shown and described.

DESCRIPTION

FIG. 1 is a perspective view of a printer;
FIG. 2 is a front elevational view thereof;
FIG. 3 is a rear elevational view thereof;
FIG. 4 is a left-side elevational view thereof;
FIG. 5 is a right-side elevational view thereof;
FIG. 6 is a top plan view thereof; and,
FIG. 7 is a bottom plan view thereof.
The evenly spaced broken lines depict unclaimed parts of the printer and form no part of the claimed design.

1 Claim, 7 Drawing Sheets



(56)

References Cited

FOREIGN PATENT DOCUMENTS

JP D1708207 * 2/2022

OTHER PUBLICATIONS

Amazon. Link: https://www.amazon.com/Brother-INKvestment-MFC-J4535DWC-Wireless-Printer/dp/B09F89DJQT/ref=sr_1_1?crid=2AWCZP9ZS6D0R&keywords=B09F89DJQT&qid=1646859657&s=electronics&sprefix=b09f89djq%2Celectronics%2C52&sr=1-1. Sep. 2, 2021. (Year: 2021).*

Amazon. Link: <https://www.amazon.com/Brother-Wireless-MFC-J491DW-Multi-Function-Replenishment/dp/B07C4V4WWF>. May 13, 2018. Brother Wireless All-in-One Inkjet Printer, MFC-J491DW. (Year: 2018).*

Amazon. Link: https://www.amazon.com/Brother-MFC-J1205W-INKvestment-Wireless-Multi-Function/dp/B092YXNZT6/ref=sr_1_2?crid=25LFSUAFD599J&keywords=B092YXNZT6&qid=1646912581&s=office-products&sprefix=b092yxnzt6%2Coffice-products%2C59&sr=1-2. Jun. 17, 2021. Brother MFC-J1205W INKvestment Tank. (Year: 2021).*

* cited by examiner

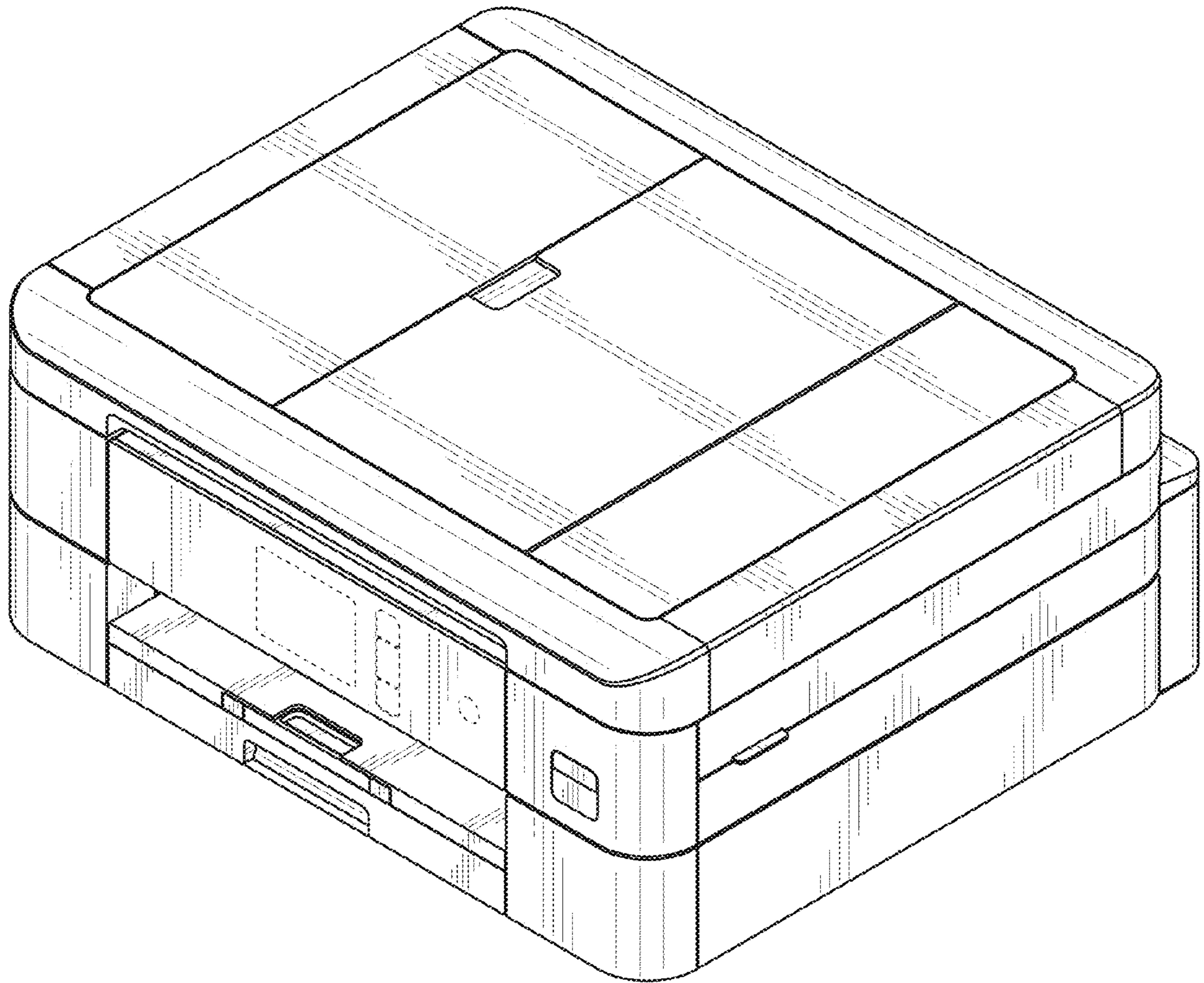


FIG. 1

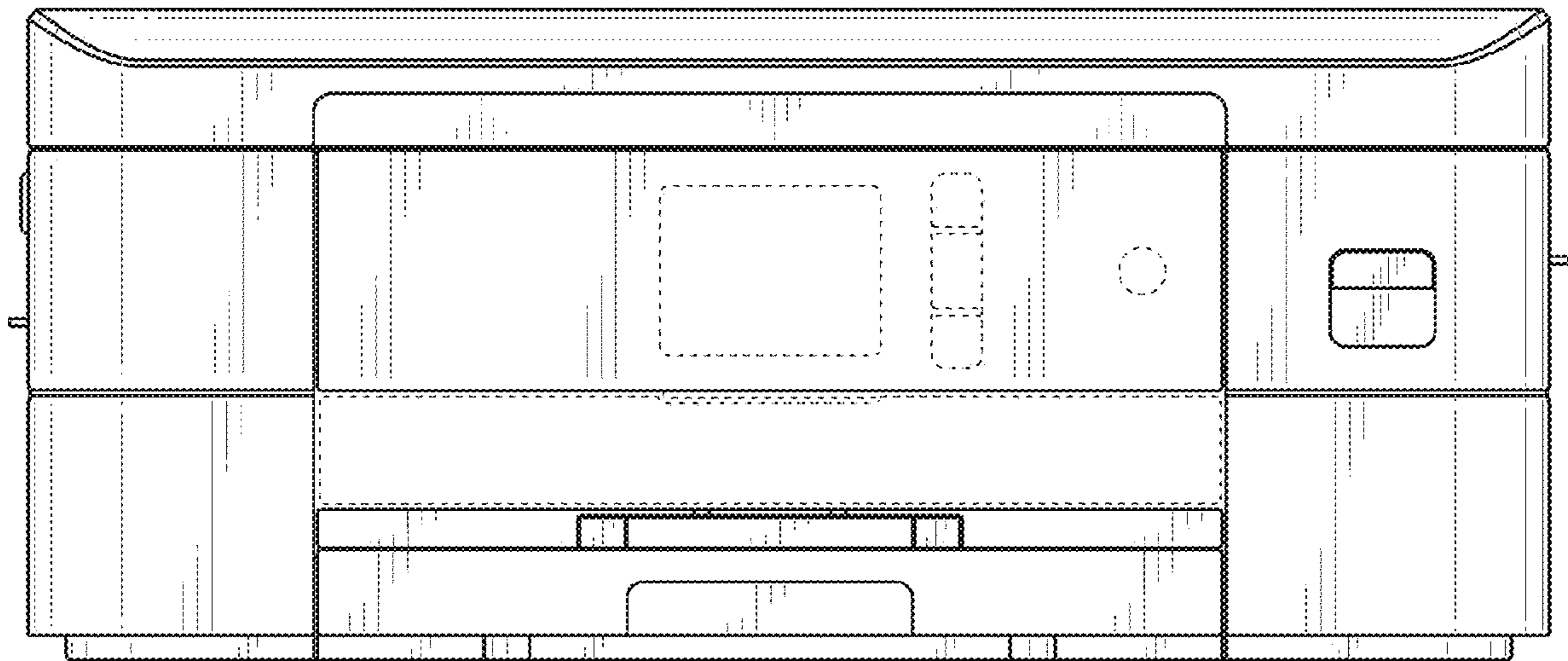


FIG. 2

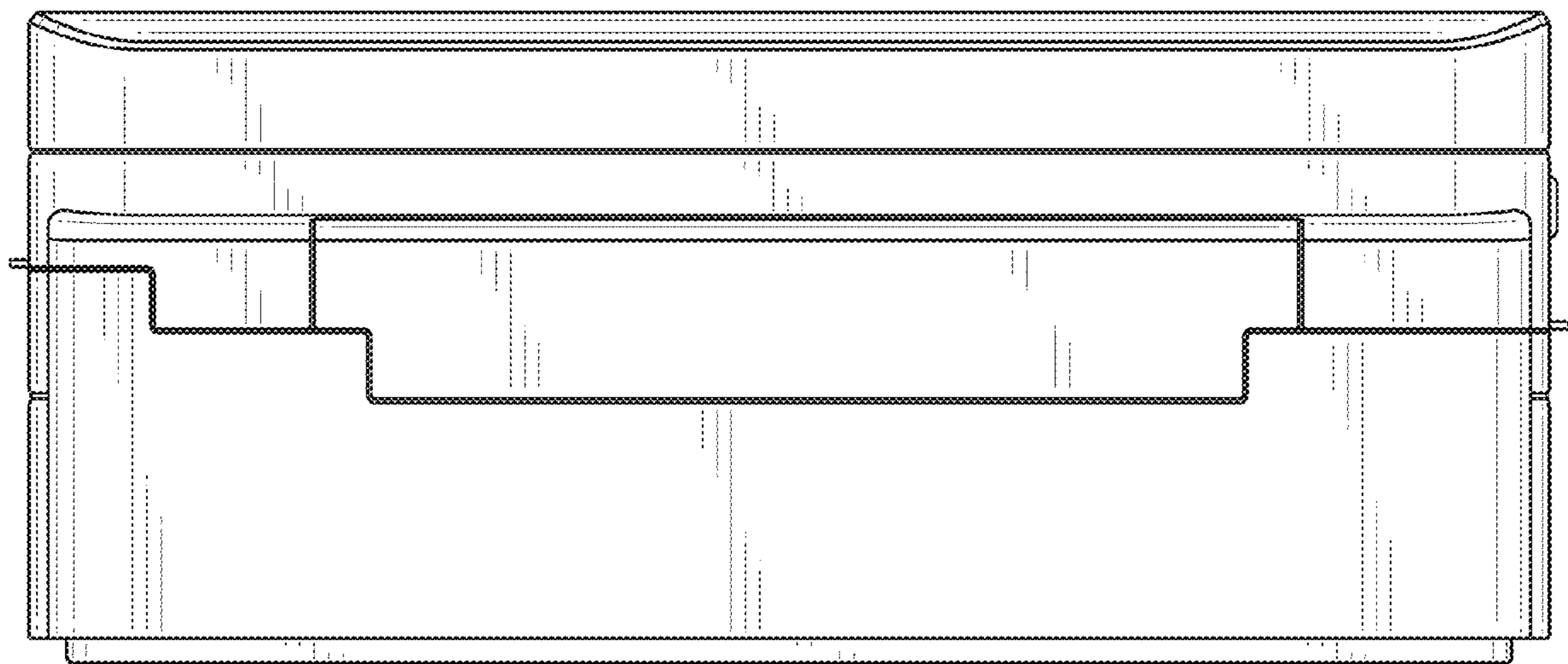


FIG. 3

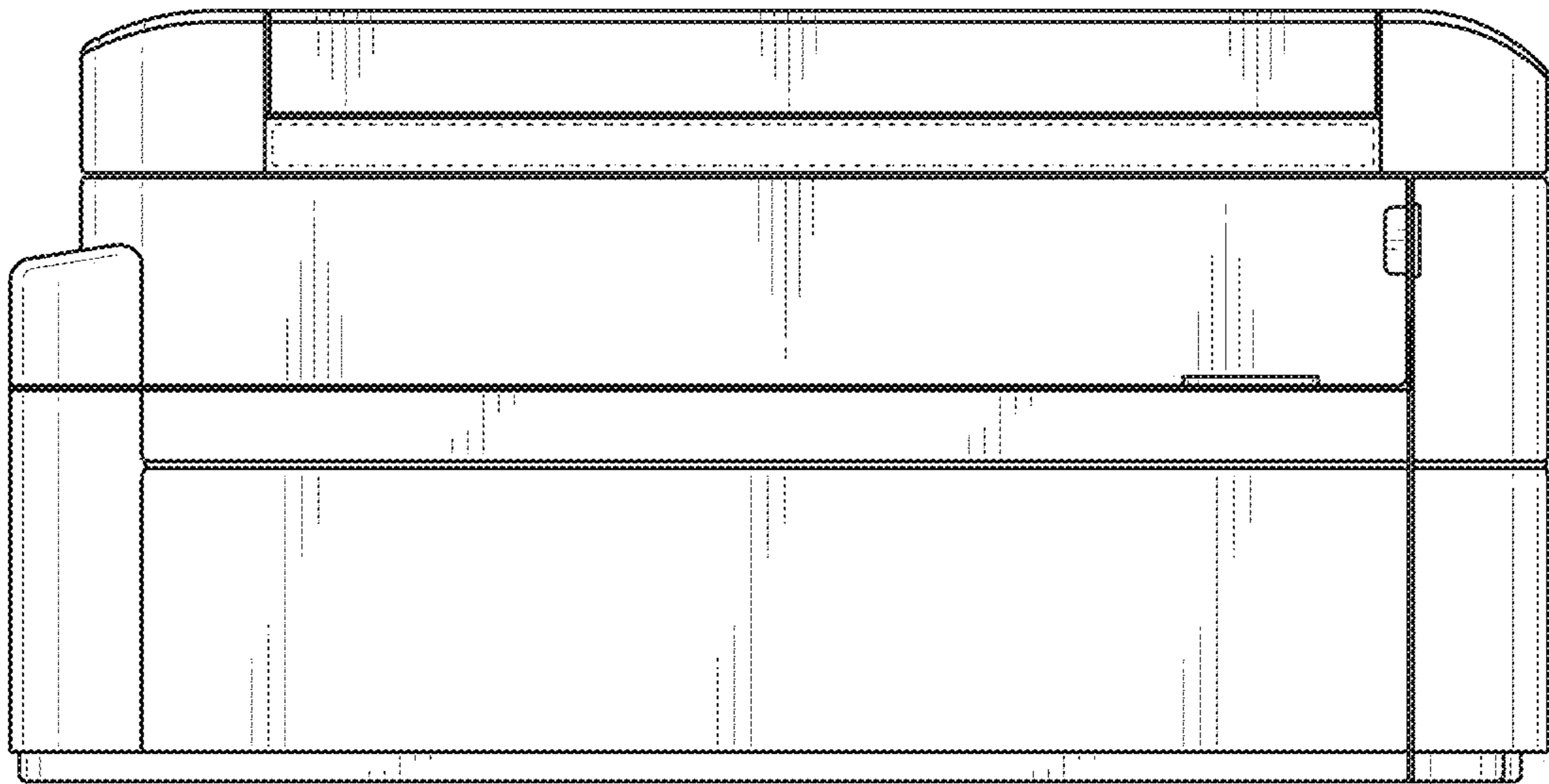


FIG. 4

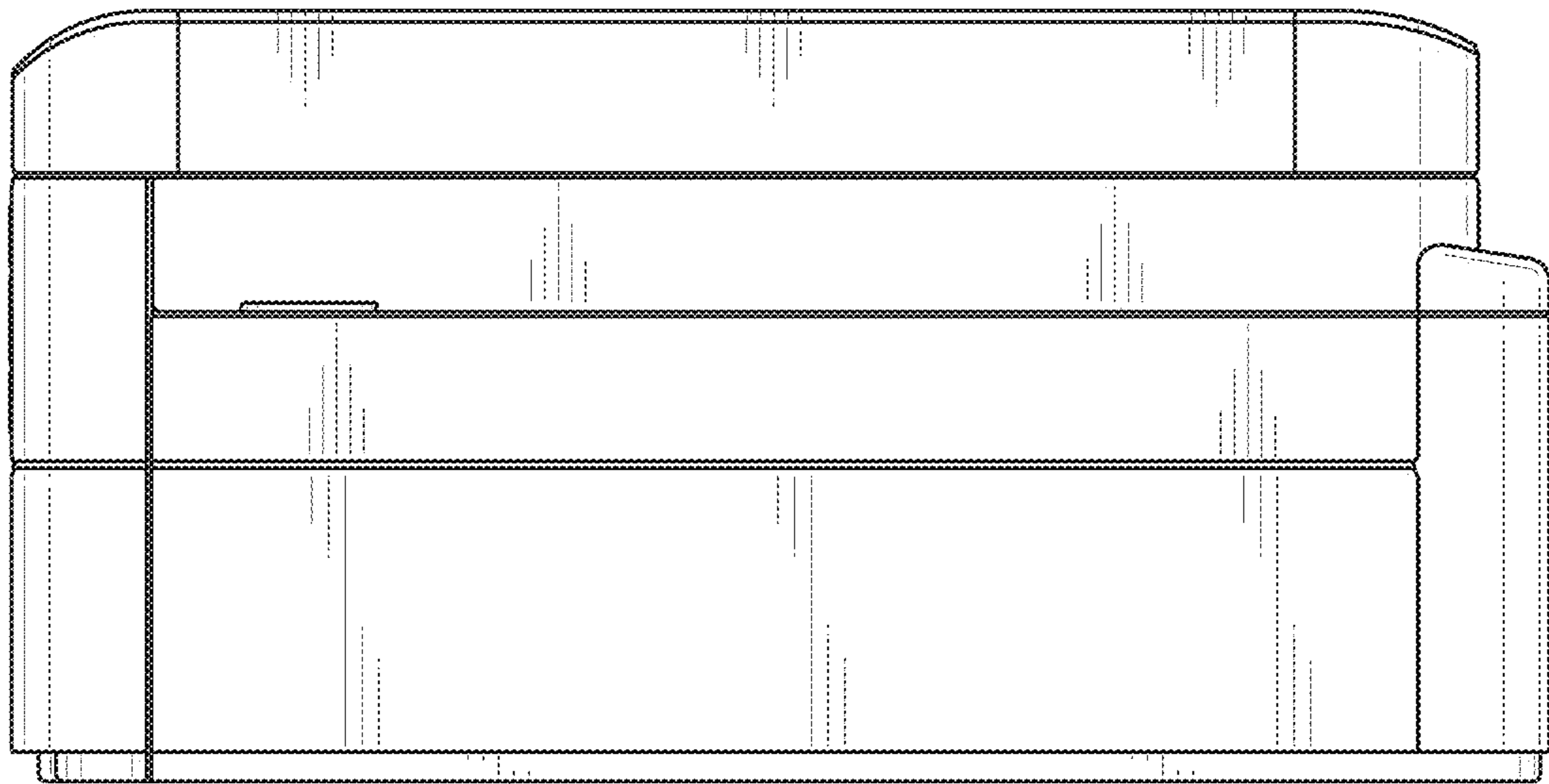


FIG. 5

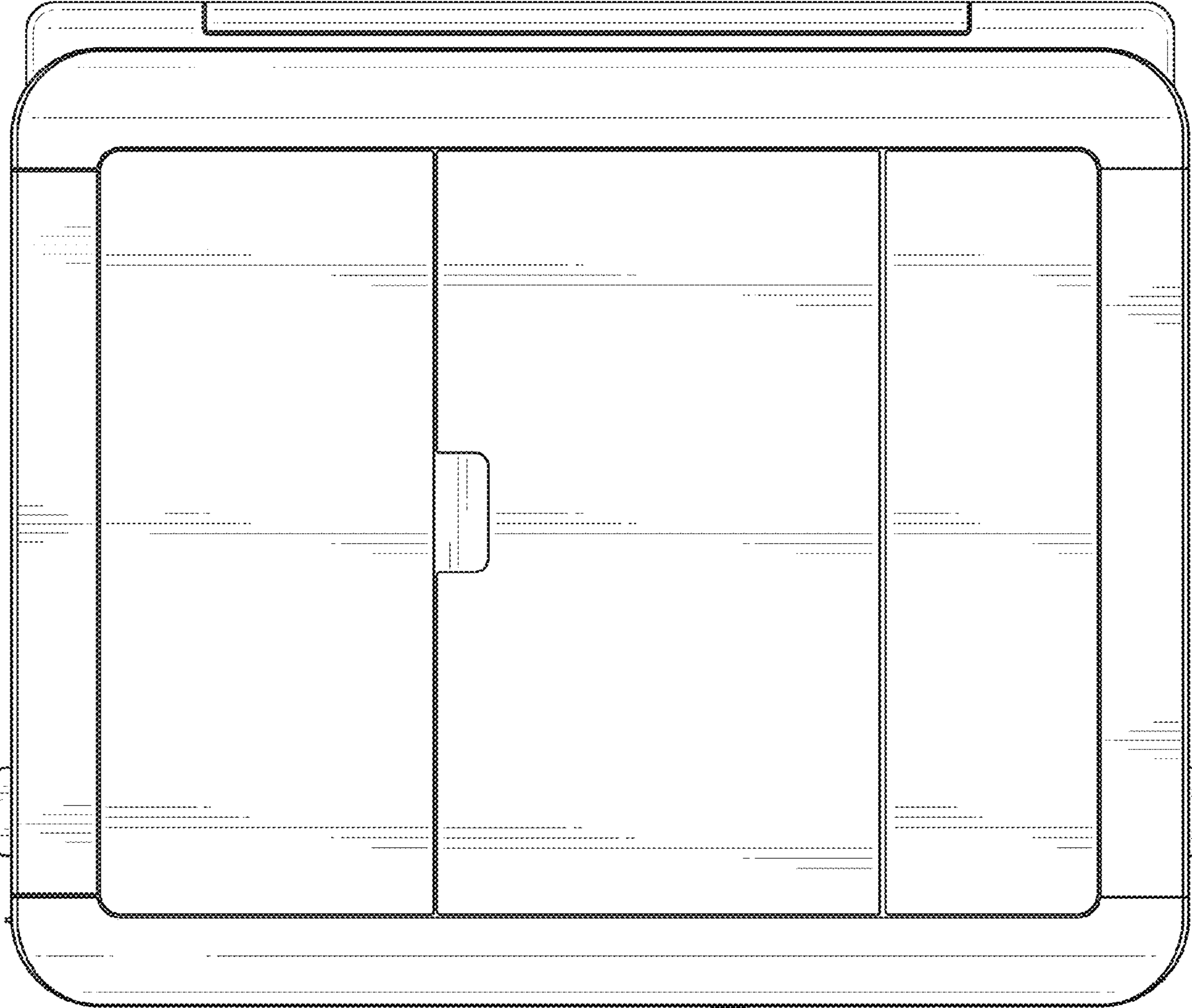


FIG. 6

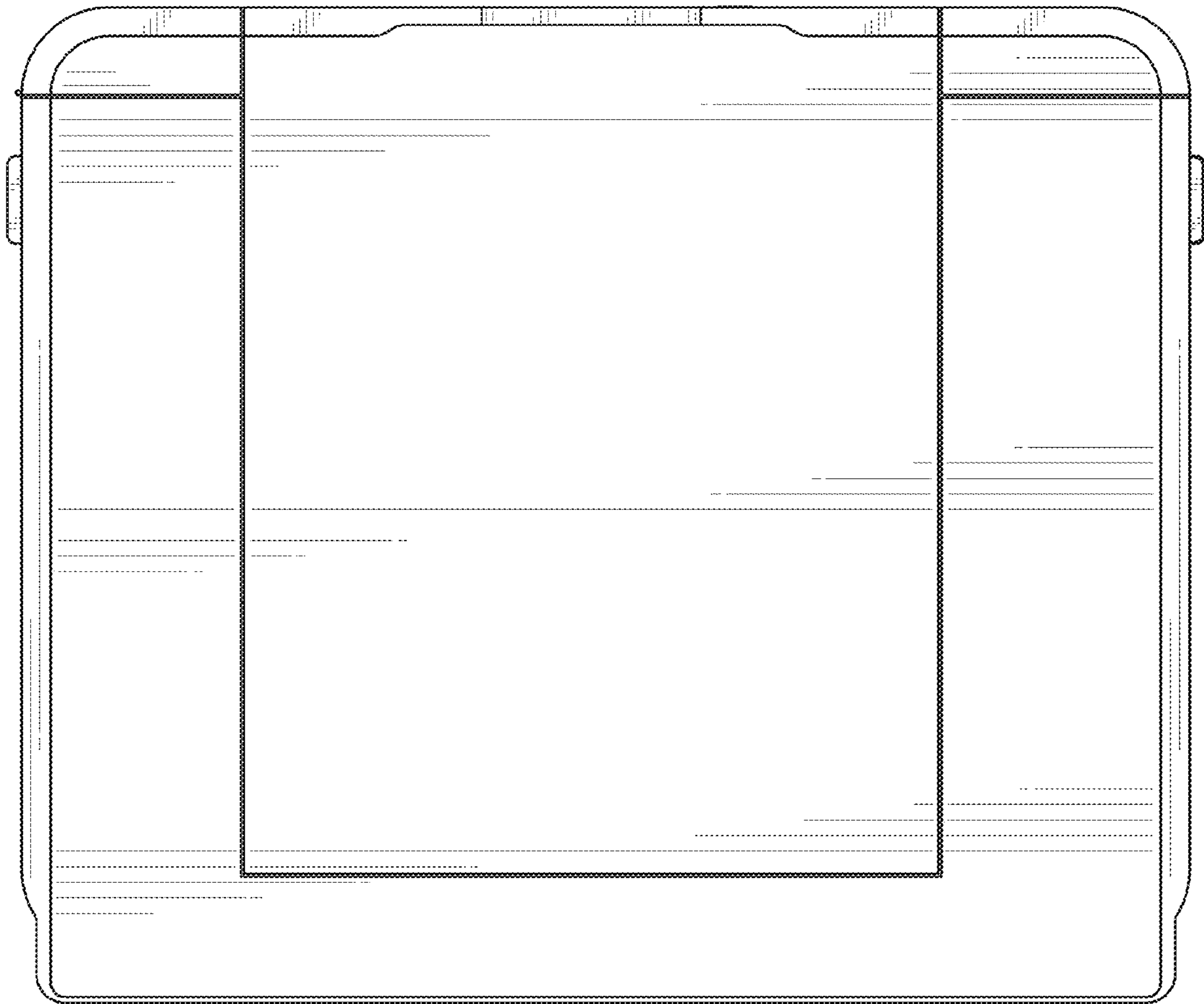


FIG. 7