



US00D964457S

(12) **United States Design Patent**
Gholson, Jr.

(10) **Patent No.:** **US D964,457 S**
(45) **Date of Patent:** **** Sep. 20, 2022**

(54) **LIGATURE FOR WIND INSTRUMENTS**

(71) Applicant: **General James Gholson, Jr.**, Memphis, TN (US)

(72) Inventor: **General James Gholson, Jr.**, Memphis, TN (US)

(**) Term: **15 Years**

(21) Appl. No.: **29/694,694**

(22) Filed: **Jun. 12, 2019**

(51) **LOC (13) Cl.** **17-02**

(52) **U.S. Cl.**
USPC **D17/13**

(58) **Field of Classification Search**
USPC D17/10, 11, 13, 99; D21/405, 411
CPC .. G10D 7/00; G10D 7/02; G10D 7/06; G10D 7/063; G10D 7/066; G10D 7/08; G10D 7/10; G10D 9/00; G10D 9/02; G10D 9/025; G10D 9/10

See application file for complete search history.

(56) **References Cited**

U.S. PATENT DOCUMENTS

- 3,410,170 A * 11/1968 Gigliotti G10D 9/02 84/383 R
- 3,791,253 A * 2/1974 Pascucci G10D 7/066 84/383 R
- D264,223 S * 5/1982 Lawson D17/10
- D277,967 S * 3/1985 Gholson, Jr. 84/383 R
- D367,074 S * 2/1996 Gholson, Jr. 84/383 R

- D390,249 S * 2/1998 Smith 84/383 R
- 2010/0269668 A1* 10/2010 Gholson, Jr. G10D 7/06 84/383 R
- 2014/0305279 A1* 10/2014 Russell G10D 9/02 84/380 R

FOREIGN PATENT DOCUMENTS

- FR 2600194 A1 * 12/1987
- FR 2753826 A1 * 3/1998 G10D 9/00
- WO WO-2007109922 A1 * 10/2007 G10D 7/005
- WO WO-2010139834 A2 * 12/2010 G10D 9/02

* cited by examiner

Primary Examiner — R. Johnson

(74) *Attorney, Agent, or Firm* — Ellenoff Grossman & Schole LLP; James M. Smedley; Alex Korona

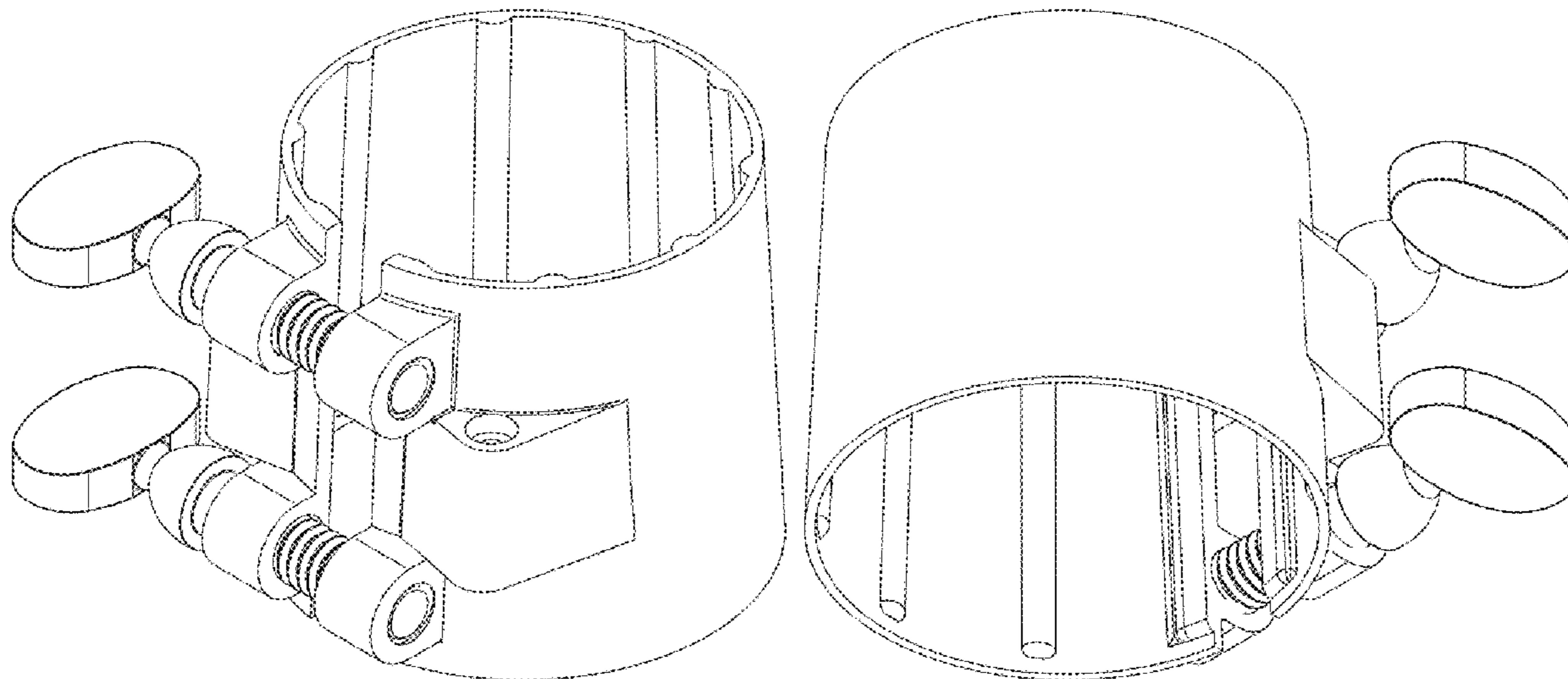
(57) **CLAIM**

I claim the ornamental design for a ligature for wind instruments, as shown and described.

DESCRIPTION

FIG. 1 is a first exploded view of a ligature for wind instruments showing my new design;
FIG. 2 is a second exploded view thereof;
FIG. 3 is a first perspective view thereof;
FIG. 4 is a second perspective view thereof;
FIG. 5 is a top view thereof;
FIG. 6 is a bottom view thereof;
FIG. 7 is a front view thereof; and,
FIG. 8 is a right side view thereof.

1 Claim, 3 Drawing Sheets



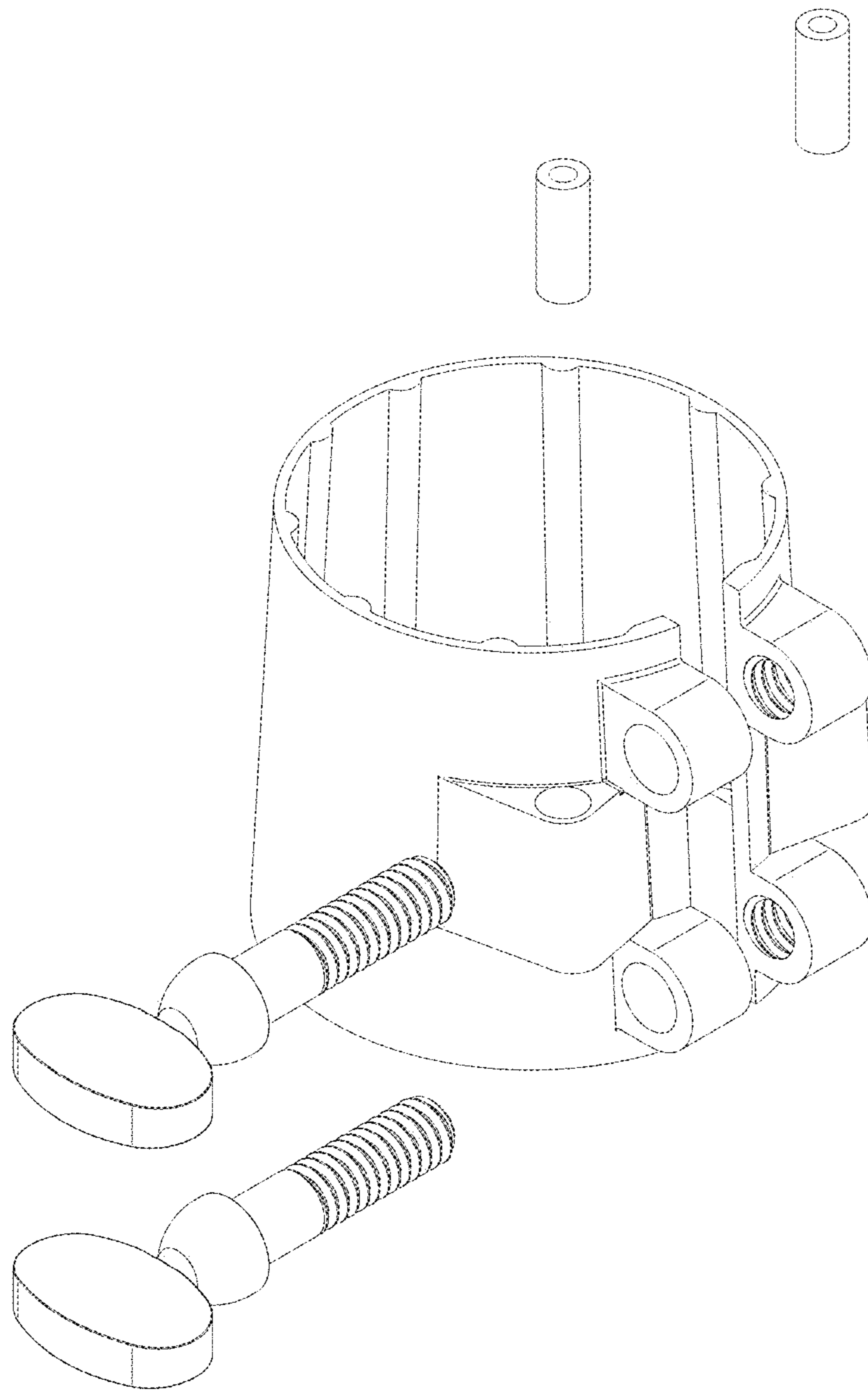


Fig. 1

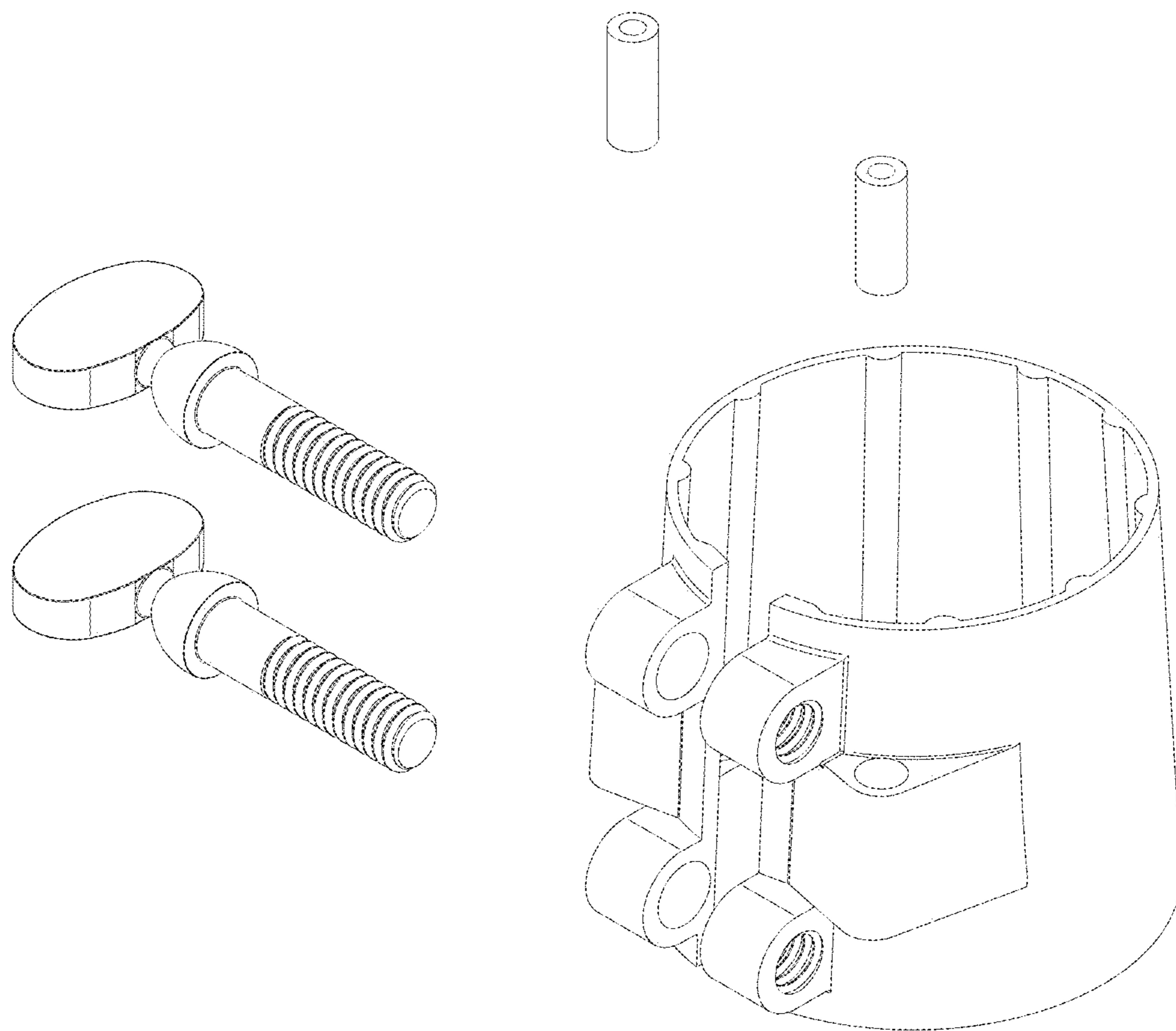


Fig. 2

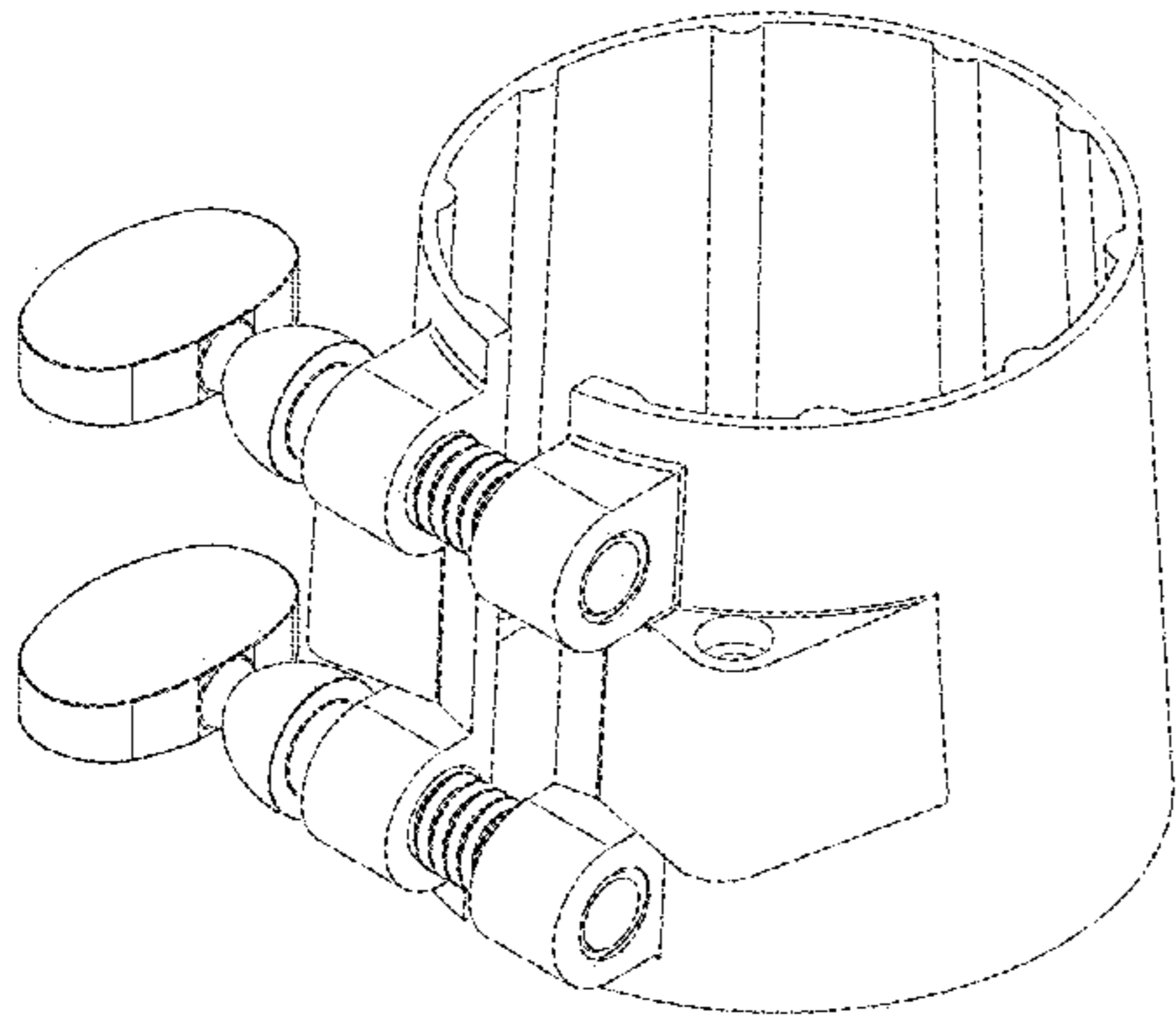


Fig. 3

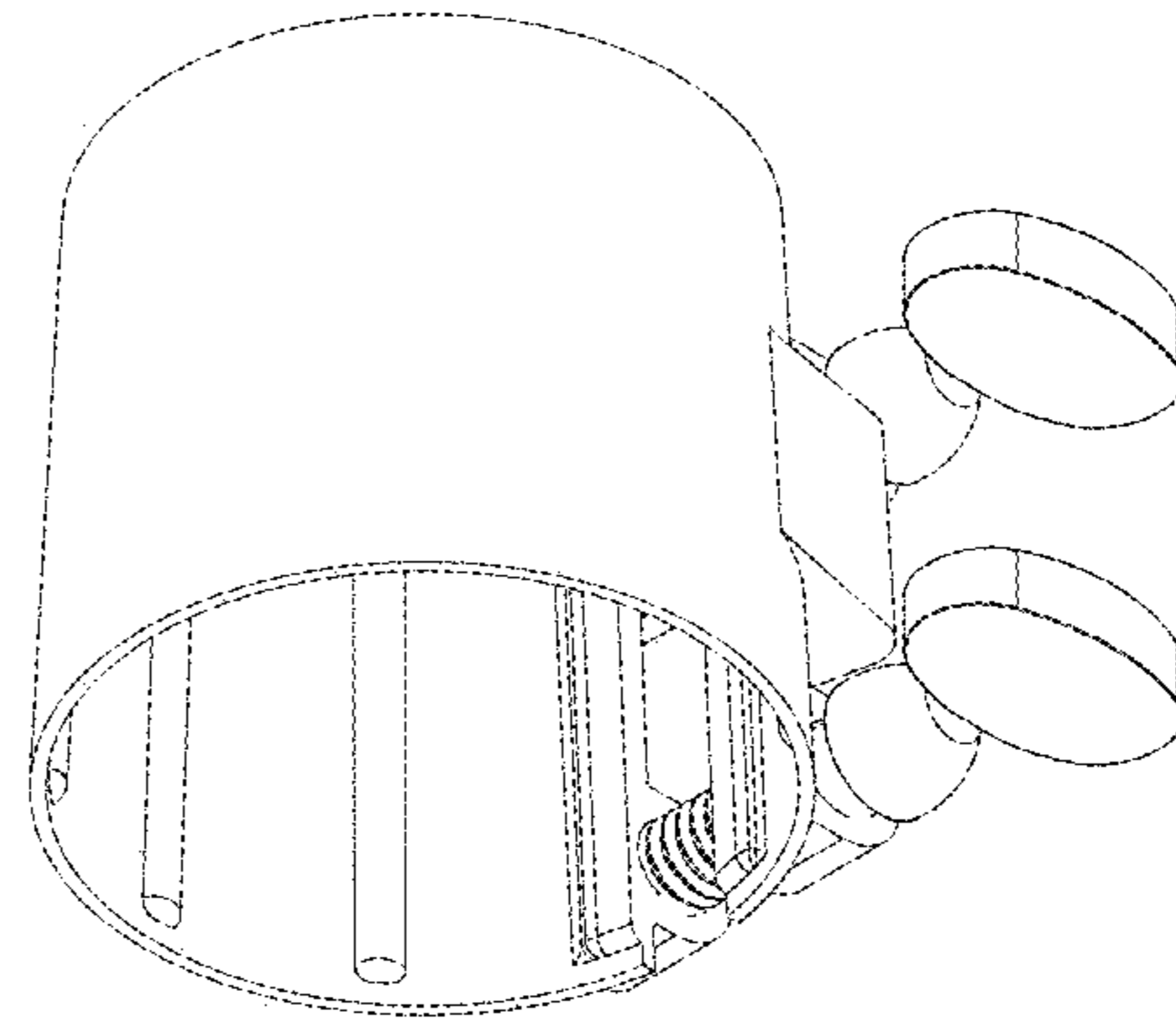


Fig. 4

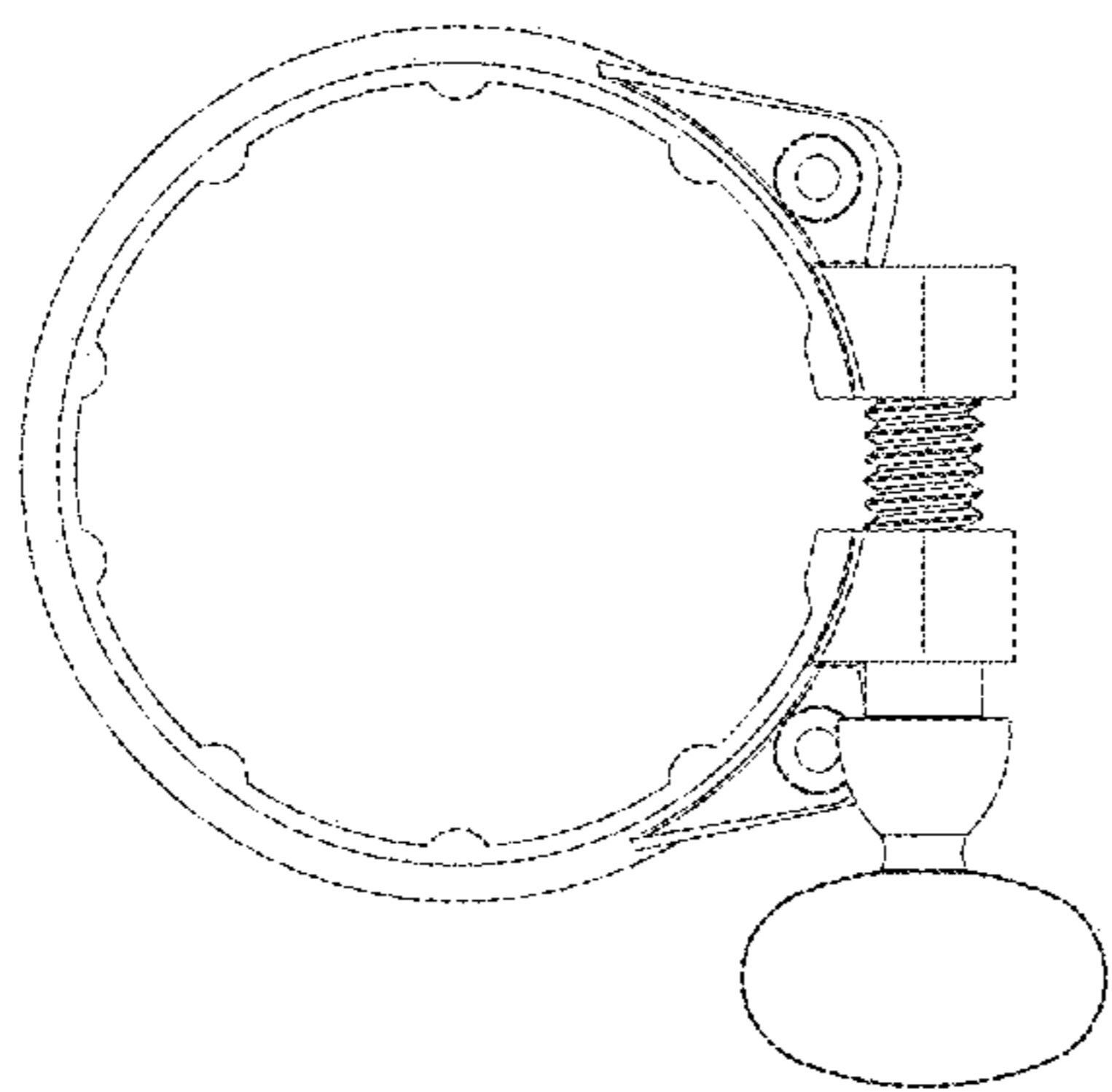


Fig. 5

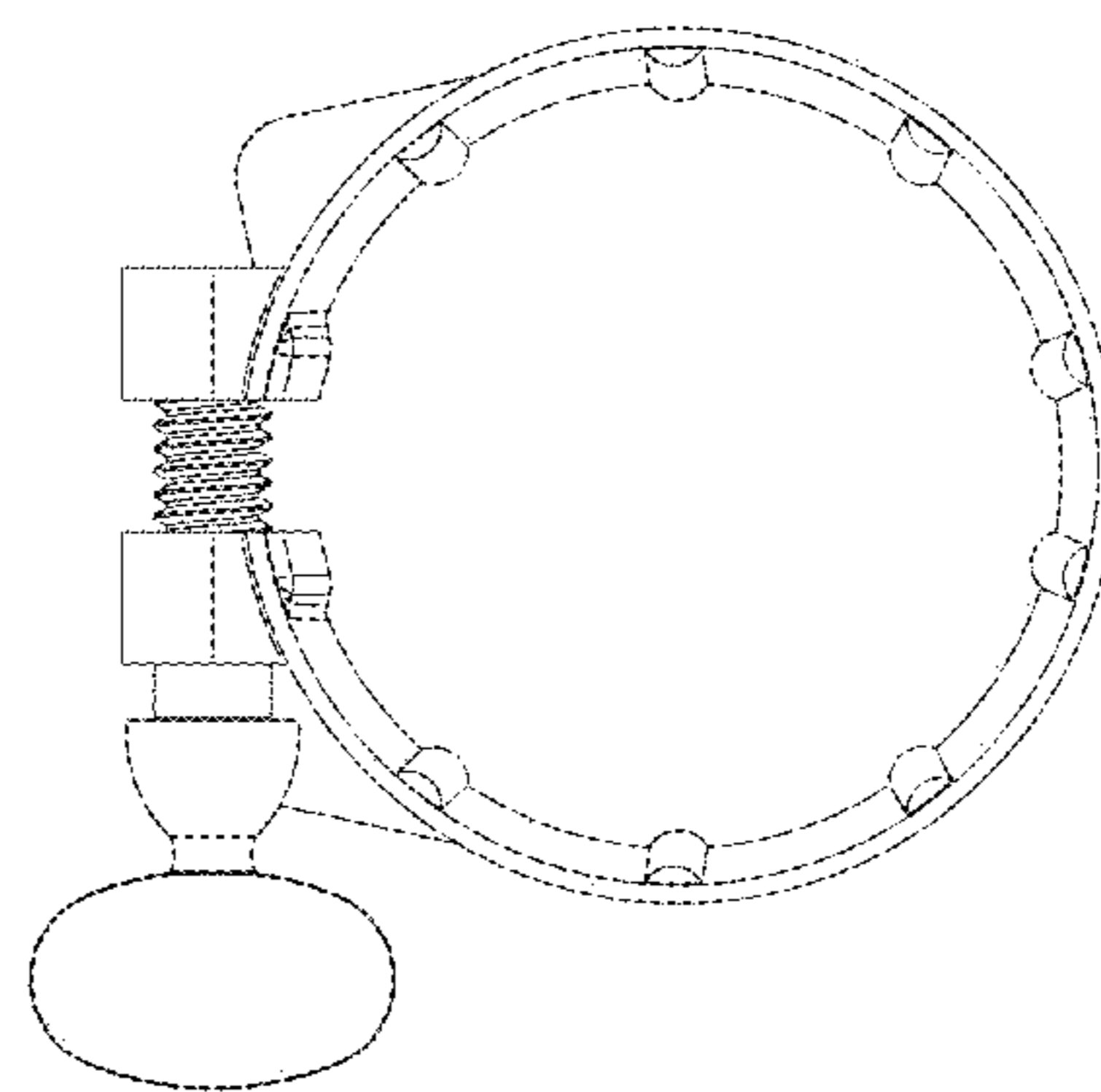


Fig. 6

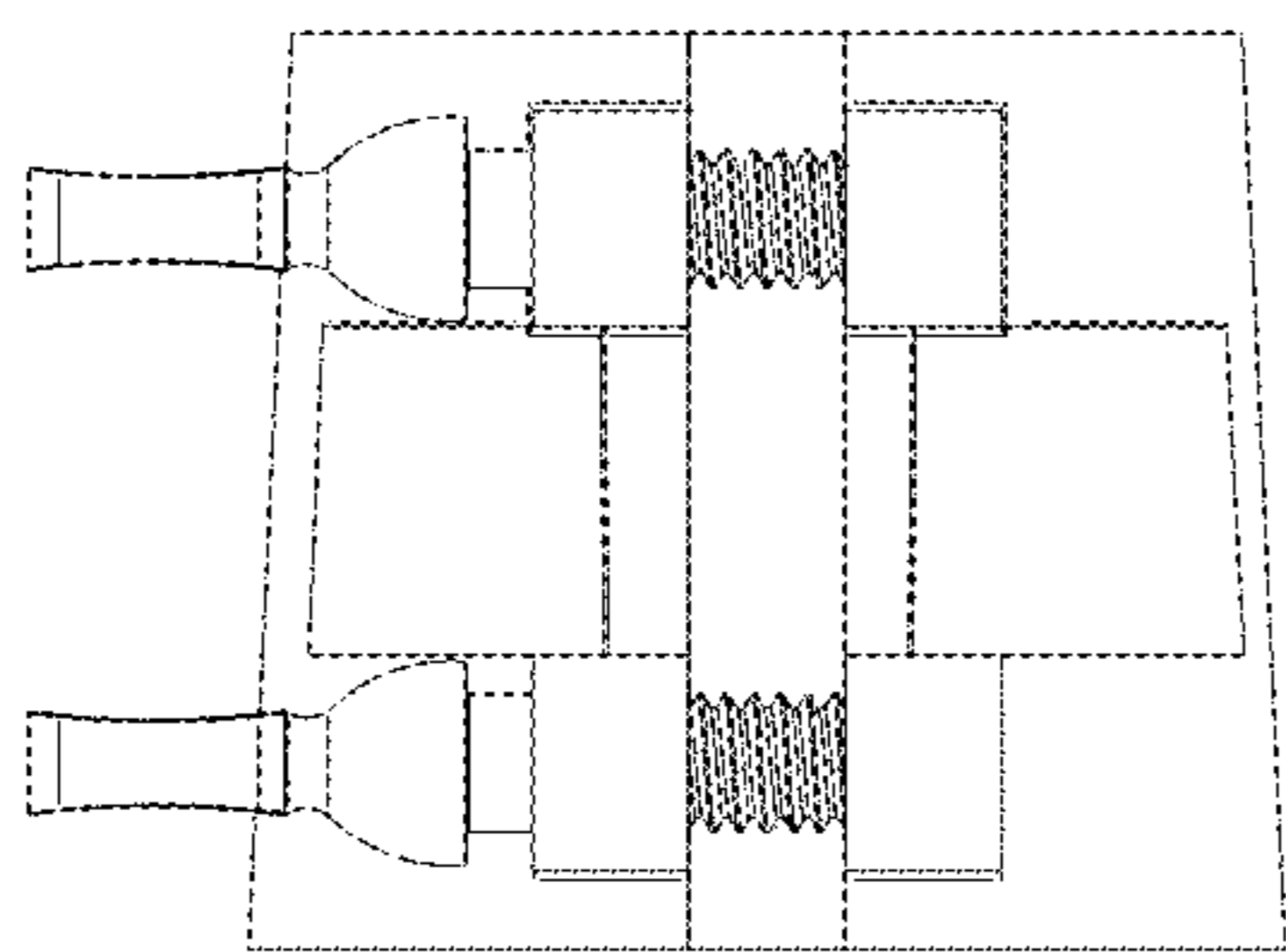


Fig. 7

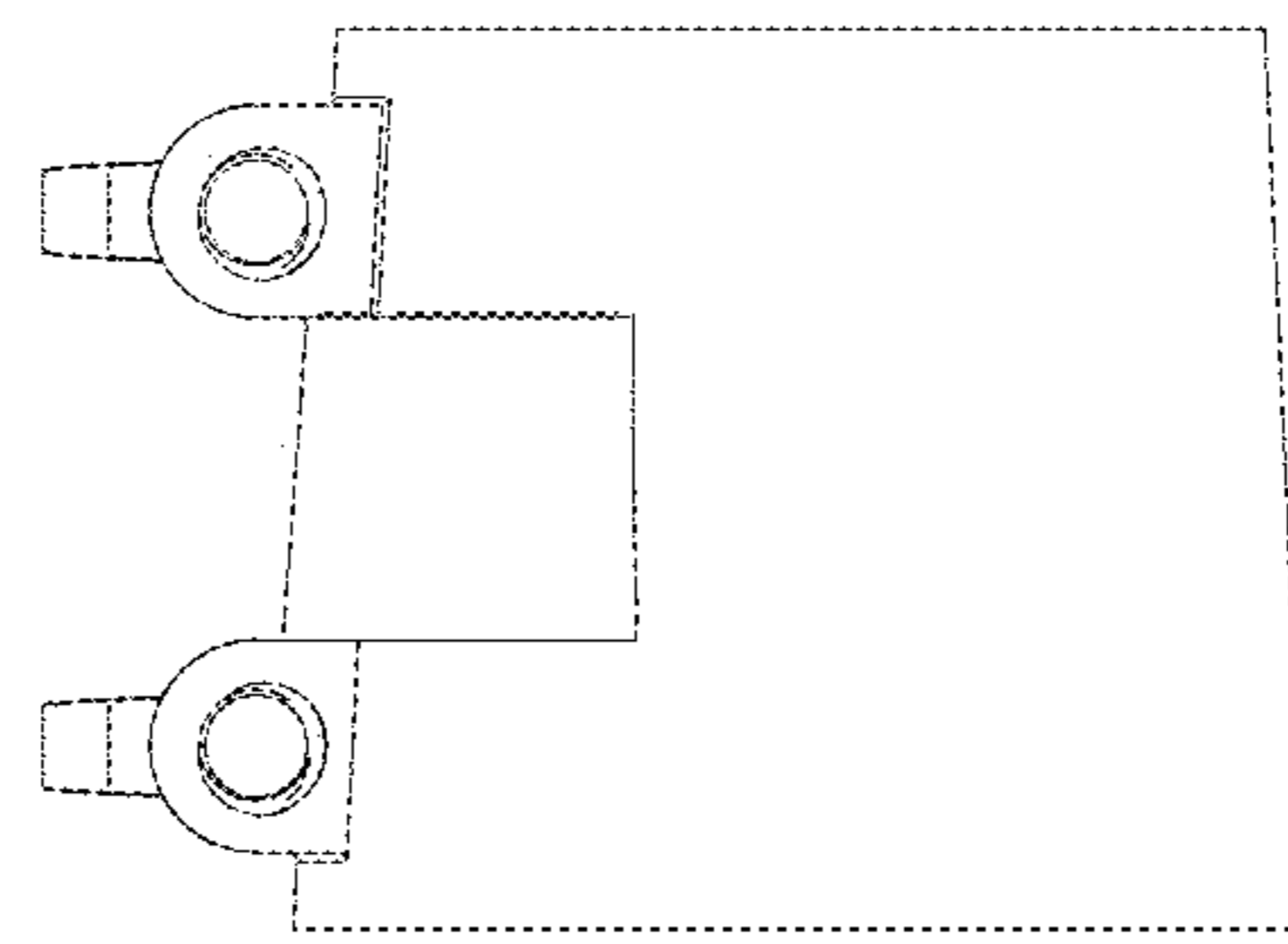


Fig. 8