

US00D964452S

(12) **United States Design Patent**
Truesdale

(10) **Patent No.:** **US D964,452 S**

(45) **Date of Patent:** **** Sep. 20, 2022**

(54) **CAMERA HANGER FOR NET AND FENCE**

(71) Applicant: **Gary Truesdale**, El Segundo, CA (US)

(72) Inventor: **Gary Truesdale**, El Segundo, CA (US)

(73) Assignee: **Gary Truesdale**

(**) Term: **15 Years**

(21) Appl. No.: **29/763,194**

(22) Filed: **Dec. 21, 2020**

(51) **LOC (13) Cl.** **16-05**

(52) **U.S. Cl.**

USPC **D16/242**

(58) **Field of Classification Search**

USPC D16/136, 211, 214, 219, 235, 236, 237,
D16/241, 242, 243, 245, 250, 334;
D8/352, 353, 354, 381, 382, 387, 394;
D14/217, 240, 432, 447, 451

CPC .. G03B 17/561; G03B 17/563; G03B 17/566;
G03B 17/565; F16M 11/041; F16M
11/06; F16M 11/043; F16M 11/04; H04N
5/2254; G02B 7/00; G02B 23/18

See application file for complete search history.

(56) **References Cited**

U.S. PATENT DOCUMENTS

1,911,075 A * 5/1933 Fortier A47F 5/01
248/447.2
2,221,659 A * 11/1940 Wilkie A47F 7/148
D6/678.4
2,687,836 A * 8/1954 Rhodes B60R 7/10
224/927
3,013,669 A * 12/1961 Waite A47F 5/01
211/49.1
D200,656 S * 3/1965 Loska, Jr. D6/513
D238,049 S * 12/1975 Hertzl D8/380
D240,896 S * 8/1976 Ward D8/380
D318,608 S * 7/1991 Schenker D8/382

D378,748 S * 4/1997 Miller D12/223
5,927,681 A * 7/1999 Ovelman G03B 17/561
396/428
D438,778 S * 3/2001 Ribe D8/354
D481,208 S * 10/2003 Scola D6/319
D534,004 S * 12/2006 Waniga D8/355
D559,053 S * 1/2008 Tsuda D8/382

(Continued)

FOREIGN PATENT DOCUMENTS

CN 304011780 * 1/2017
CN 306262329 * 1/2021

(Continued)

OTHER PUBLICATIONS

NetCam, product available unknown [online], article review date unknown [online], [site visited May 18, 2022]:URL:<<https://www.thefenceclip.com/newsletter>> (Year: 2022).*

(Continued)

Primary Examiner — Bao-Yen T Nguyen

Assistant Examiner — Loryn K. Leblanc

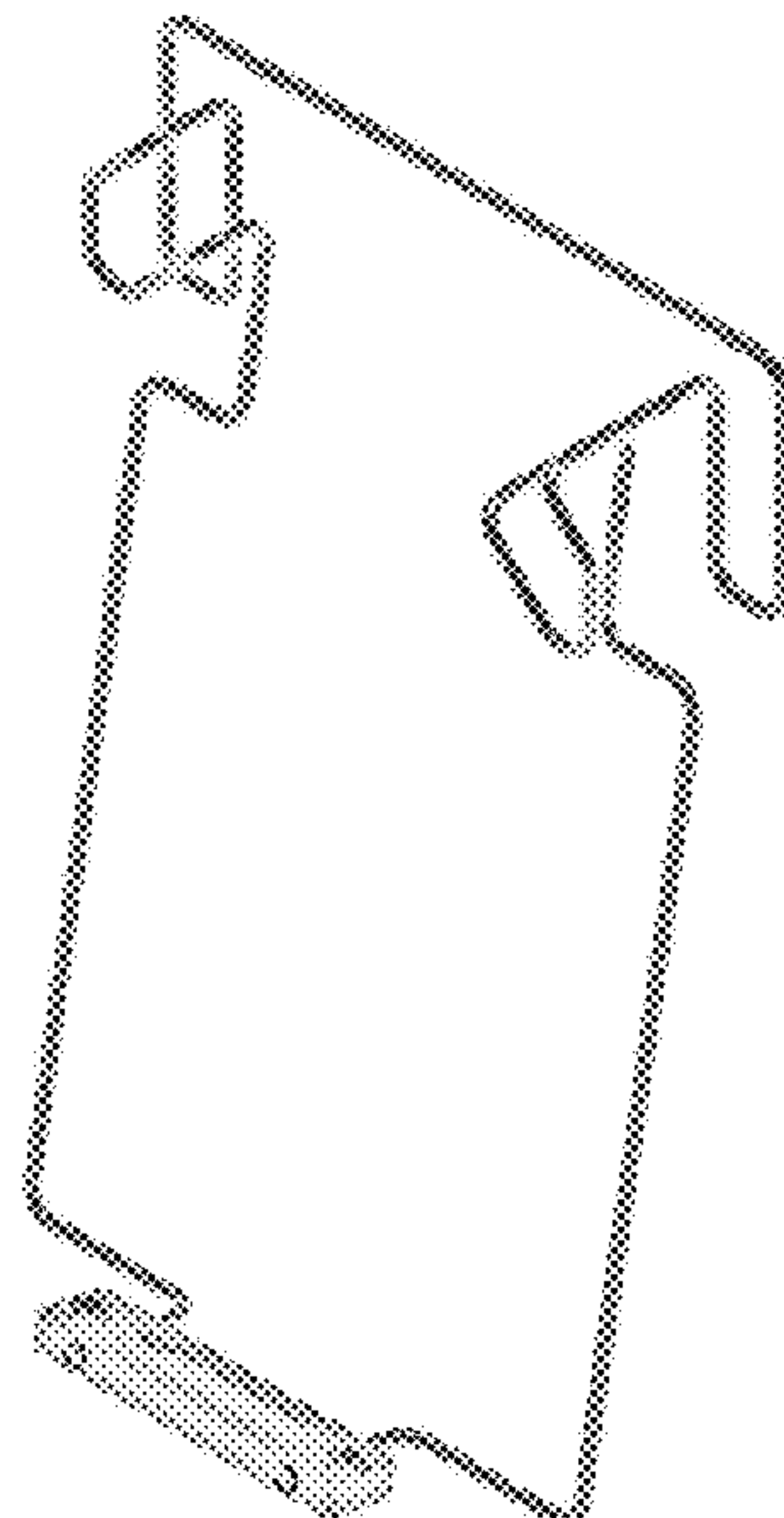
(57) **CLAIM**

The ornamental design for a camera hanger for net and fence, as shown and described.

DESCRIPTION

FIG. 1 is a front view of a camera hanger for net and fence showing my new design;
FIG. 2 is a right view thereof;
FIG. 3 is a bottom view thereof;
FIG. 4 is a top view thereof;
FIG. 5 is a left view thereof;
FIG. 6 is a back view thereof;
FIG. 7 is a top, back, and left perspective view thereof; and,
FIG. 8 is a top, front, and right perspective view thereof.

1 Claim, 7 Drawing Sheets



(56)

References Cited

U.S. PATENT DOCUMENTS

D572,044	S	*	7/2008	Miros	D8/370
D580,662	S	*	11/2008	Varela	D6/317
D657,658	S	*	4/2012	Jones	D8/371
D684,033	S	*	6/2013	Preda	D8/354
D718,101	S	*	11/2014	Mason	D8/354
D737,055	S	*	8/2015	Gardner	D3/328
D931,745	S	*	9/2021	Wang	D10/70
2002/0195533	A1	*	12/2002	Gilberton	A47B 21/0314 248/316.1

FOREIGN PATENT DOCUMENTS

CN	306315433	*	2/2021
CN	306916094	*	11/2021
CN	307061121	*	1/2022
CN	307061127	*	1/2022
CN	307126023	*	2/2022
CN	307212736	*	3/2022
EM	008857528-0001	*	2/2022
IT	202000000799-0004	*	6/2020

OTHER PUBLICATIONS

NetCam from FenceClip, video review Nov. 28, 2021, [site visited May 18, 2022]:URL:<<https://www.youtube.com/watch?v=NH30F3zhIDM>> (Year: 2021).*

Camera Mount Holder for Net Chain Link Fence/Kite/Paraglider, product available Jul. 20, 2021 [online], no video/pictured review [online], [site visited May 18, 2022]:URL:<https://www.amazon.com/gp/product/B099WFDKJ9/ref=sw_img_1?smid=AD6YMMDELKPQX&psc=1> (Year: 2021).*

SOUCOR Net/Fence Mount Camera, product available May 12, 2021 [online], video review Jun. 12, 2021 [online], [site visited May 18, 2022]:URL:<https://www.amazon.com/gp/product/B094921ZDQ/ref=sw_img_1?smid=A1N0XIFITUFBC&psc=1> (Year: 2021).*

Action Camera Fence Mount, product available Jan. 23, 2022 [online], no video/pictured review [online], [site visited May 18, 2022]:URL:<https://www.amazon.com/gp/product/B09QZWH87M/ref=sw_img_1?smid=AUP7HJAVCFVAL&psc=1> (Year: 2022).*

VGSION Aluminum Fence Mount, product available Apr. 25, 2022 [online], no video/pictured review [online], [site visited May 18, 2022]:URL:<https://www.amazon.com/gp/product/B09YLTWD3M/ref=sw_img_1?smid=ARAGNL8BA7S1Q&psc=1> (Year: 2022).*

FendTek Universal Tablet Tripod Mount, product available Mar. 18, 2019 [online], pictured review Jan. 6, 2020 [online], [site visited May 18, 2022]:URL:<https://www.amazon.com/gp/product/B07PTPSWL5/ref=sw_img_1?smid=A3JFFBIMMN29U8&psc=1> (Year: 2019).*

Action Camera Backstop Fence Mount, product available Nov. 28, 2021 [online], no video/pictured review [online], [site visited May 18, 2022]:URL:<https://www.amazon.com/gp/product/B09MPD8T7X/ref=sw_img_1?smid=A2LFIK4DDDL0AU&psc=1> (Year: 2021).*

LYNKSPYDER—Standard Model, product available unknown [online], no video/pictured review [online], [site visited May 18, 2022]:URL:<<https://lynkspyder.com/collections/brackets/products/lynkspyder-standard-model>> (Year: 2022).*

PS3 Camera—Mounting Clip, product available unknown [online], no video/pictured review [online], [site visited May 18, 2022]:URL:<<https://delanengineering.ecwid.com/PS3-Camera-Mounting-Clip-p60165095>> (Year: 2022).*

* cited by examiner

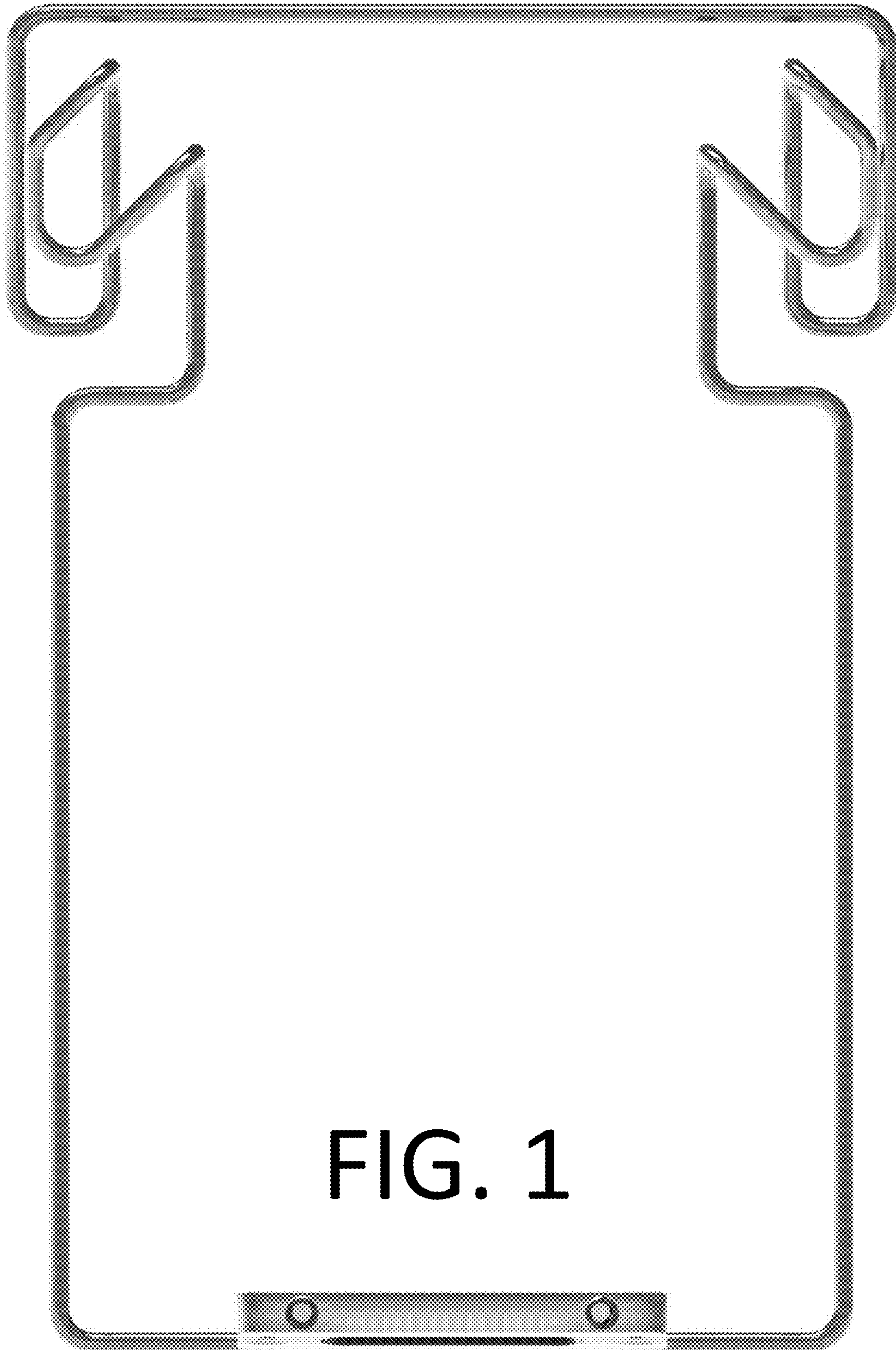


FIG. 1



FIG. 2

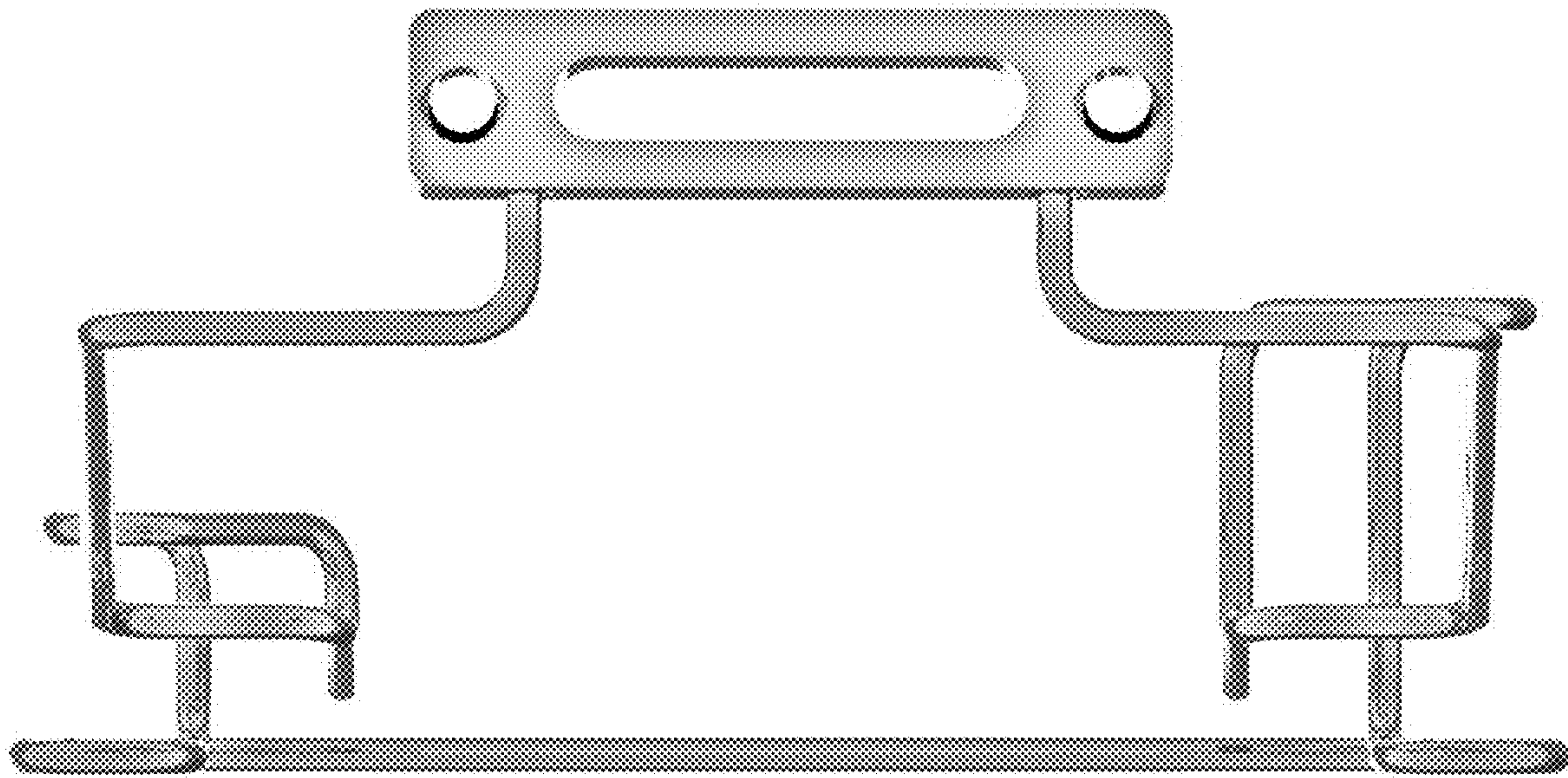


FIG. 3

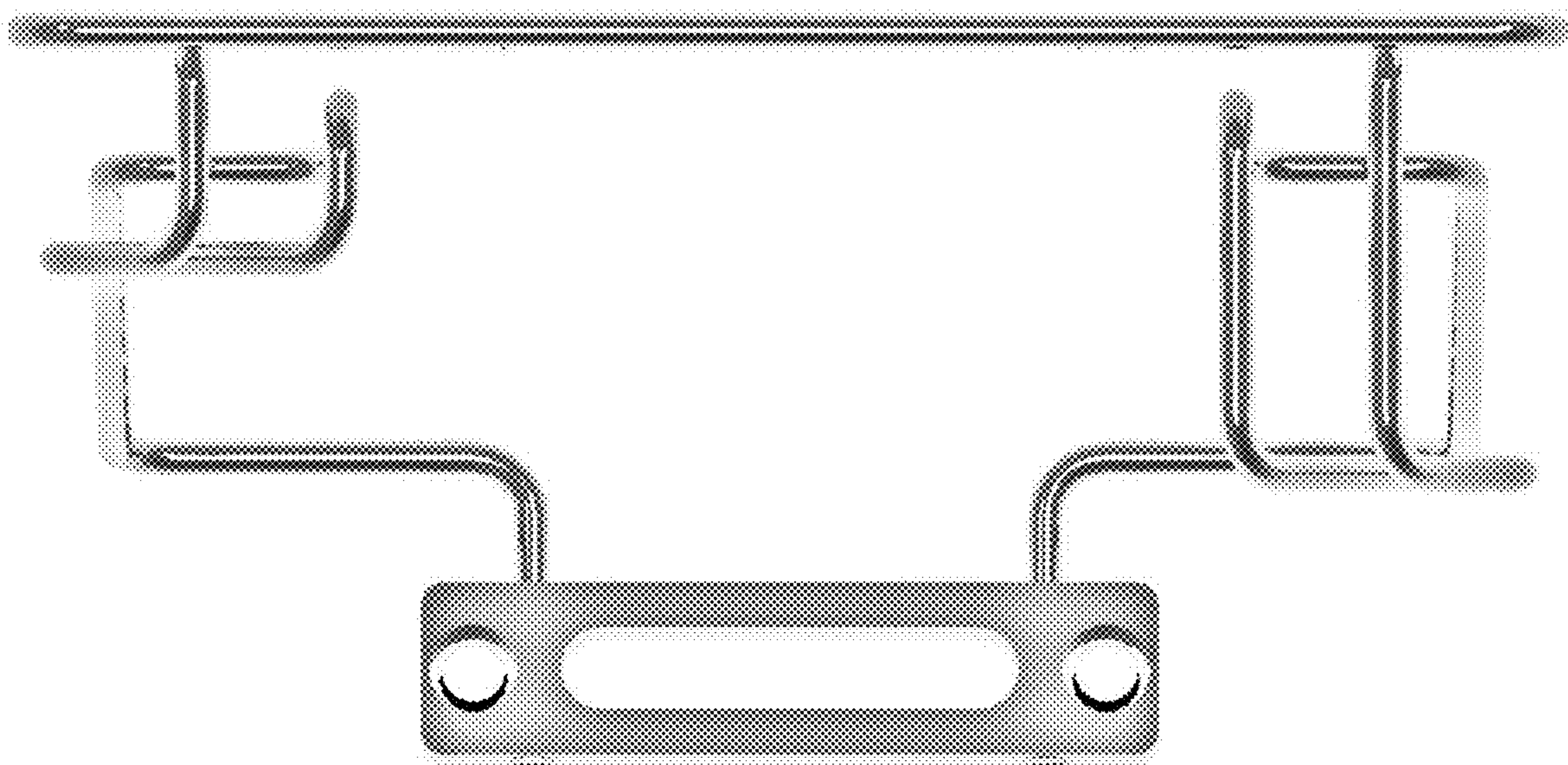


FIG. 4

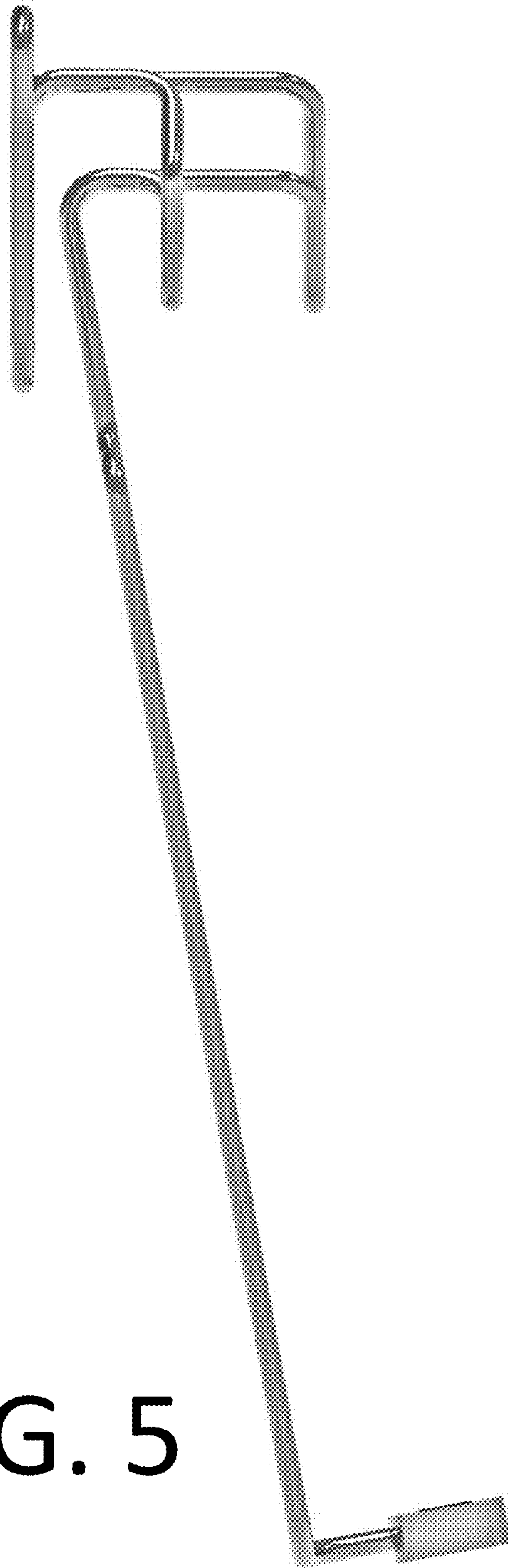


FIG. 5

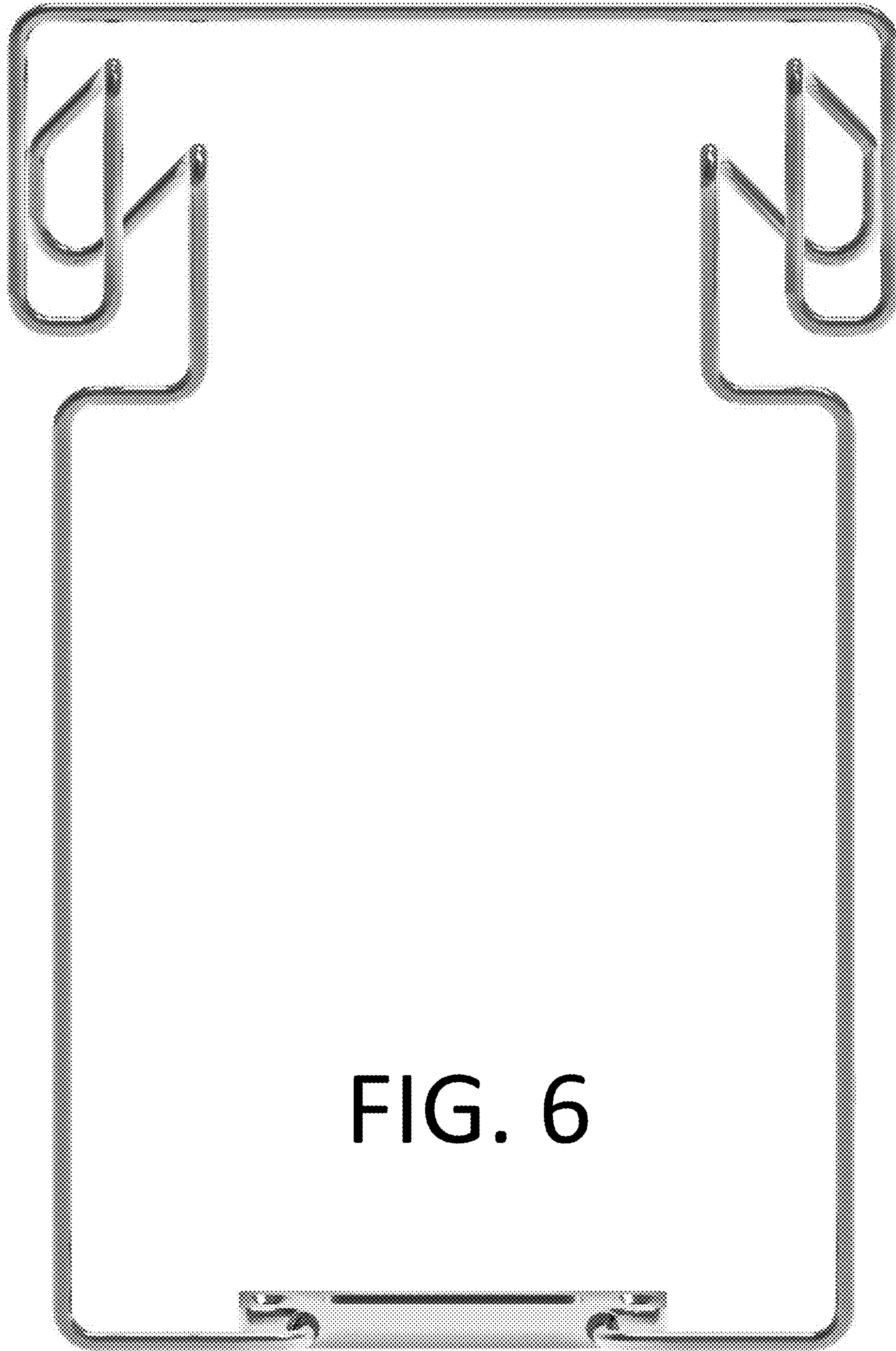


FIG. 6

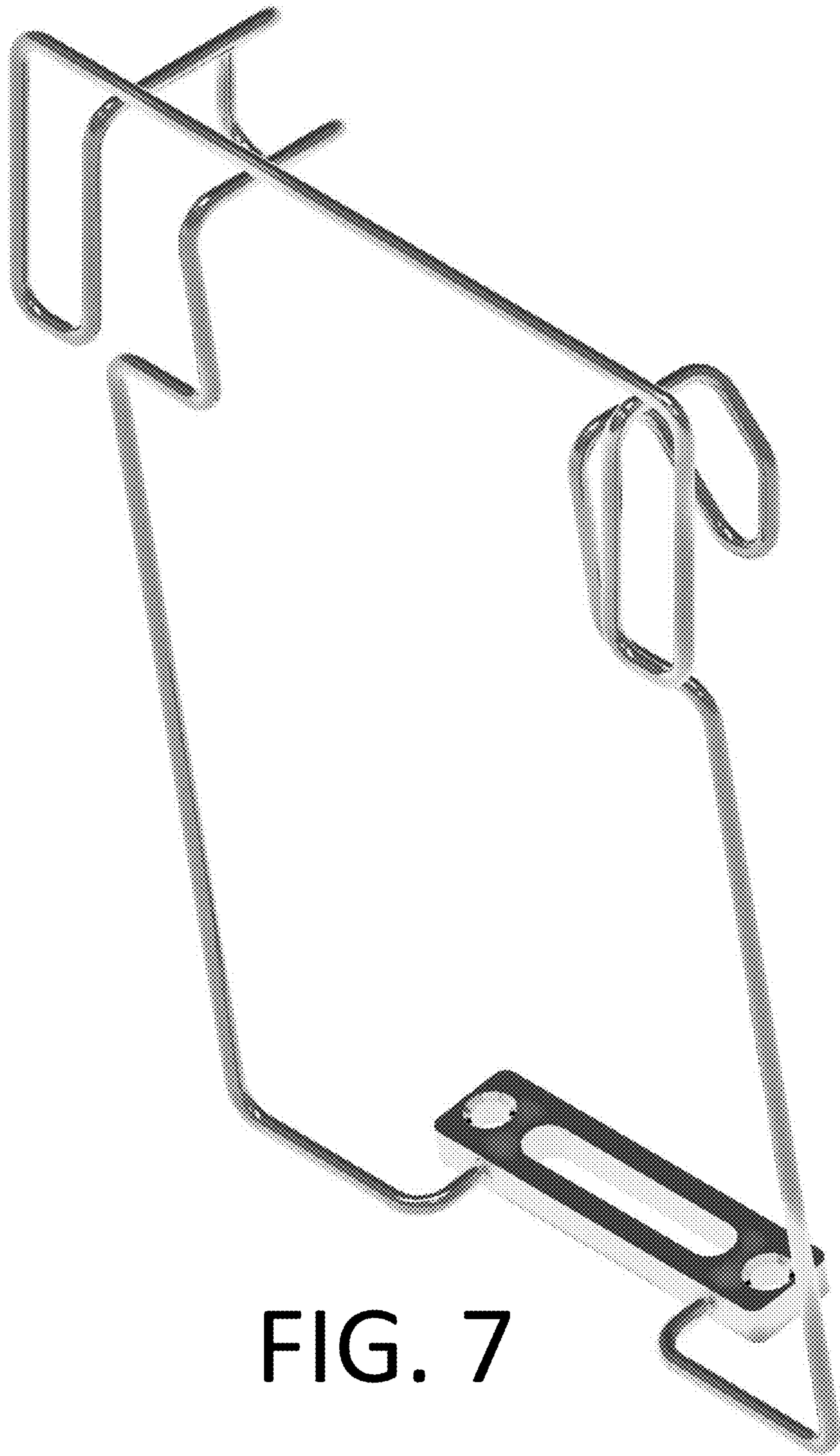


FIG. 7

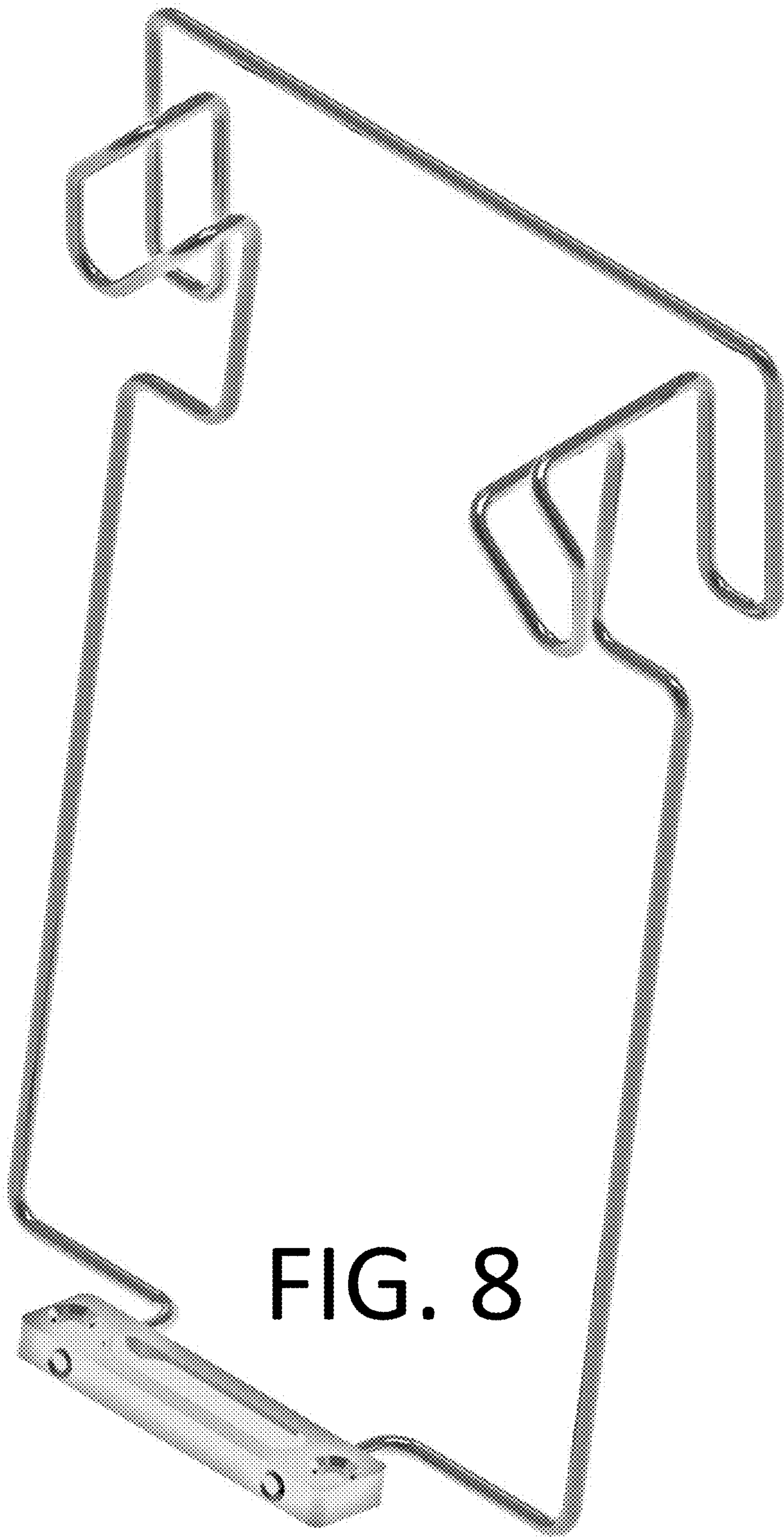


FIG. 8