



US00D964450S

(12) **United States Design Patent**
Gao

(10) **Patent No.:** **US D964,450 S**

(45) **Date of Patent:** **** Sep. 20, 2022**

(54) **PROJECTOR**

(71) Applicant: **SHENZHEN AOKANG TECHNOLOGY CO., LTD.**, Shenzhen (CN)

(72) Inventor: **Hongbing Gao**, Shenzhen (CN)

(73) Assignee: **SHENZHEN AOKANG TECHNOLOGY CO., LTD.**, Shenzhen (CN)

(**) Term: **15 Years**

(21) Appl. No.: **29/763,209**

(22) Filed: **Dec. 22, 2020**

(51) **LOC (13) Cl.** **16-02**

(52) **U.S. Cl.**
USPC **D16/231**

(58) **Field of Classification Search**
USPC D16/221, 225, 229–231, 234; D21/514;
D14/128–129, 134

CPC G03B 21/00; G03B 21/003; G03B 21/12;
G03B 21/14; G03B 21/145; G03B 21/16
See application file for complete search history.

(56) **References Cited**

U.S. PATENT DOCUMENTS

D315,529 S * 3/1991 Sherer D16/225
D341,136 S * 11/1993 Shimizu D16/221
D371,564 S * 7/1996 Sunada D16/231
D405,100 S * 2/1999 Suzuki D16/231

D433,048 S * 10/2000 Ikenaga D16/231
D474,798 S * 5/2003 Ohshima D16/230
D491,971 S * 6/2004 Oross D16/225
D648,368 S * 11/2011 Kim D16/230
D700,926 S * 3/2014 Georges D16/231
2018/0267396 A1* 9/2018 Hill G03B 21/145

* cited by examiner

Primary Examiner — Wan Laymon

(57) **CLAIM**

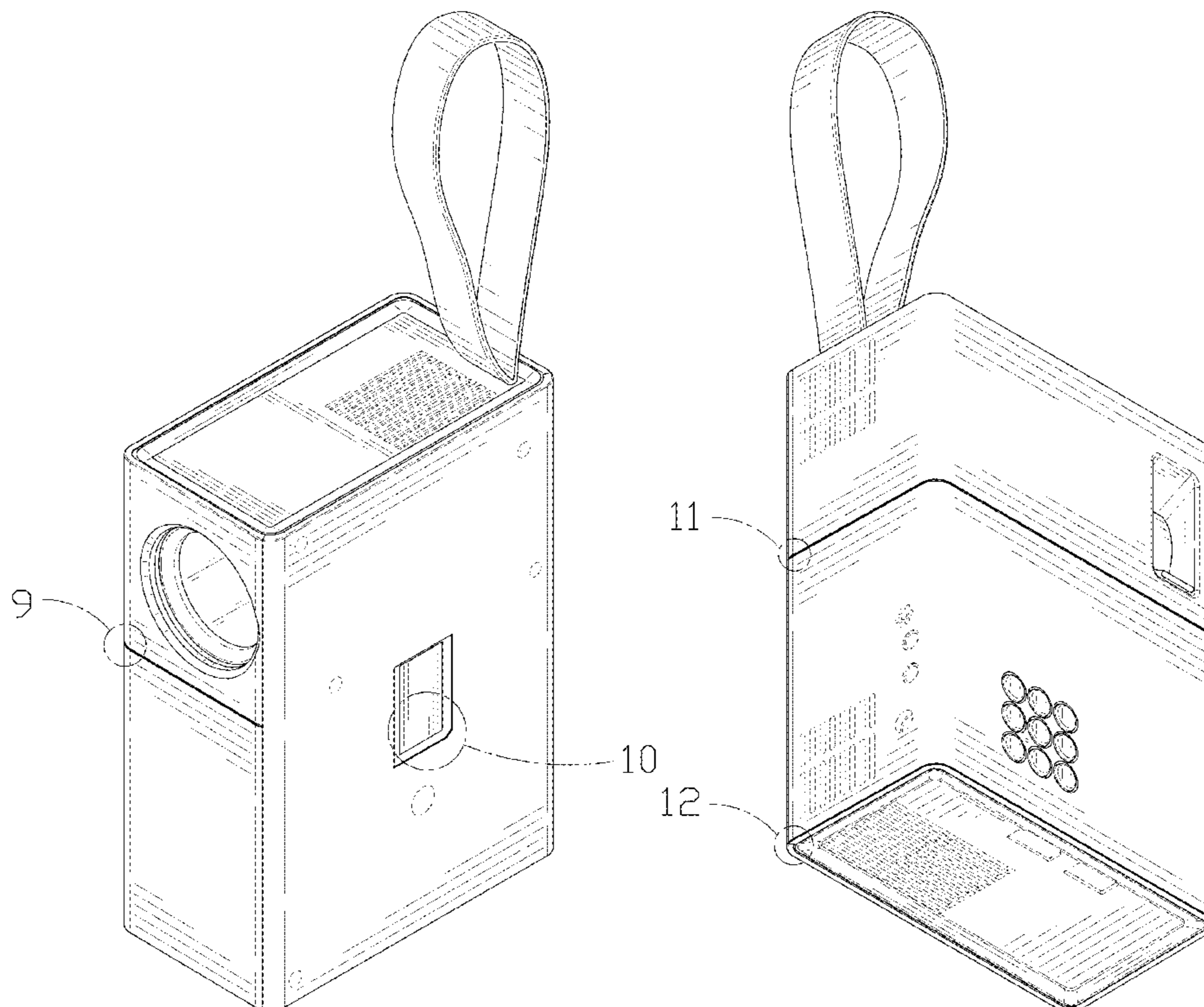
The ornamental design for a projector, as shown and described.

DESCRIPTION

FIG. 1 is a perspective view of a projector showing my new design;
FIG. 2 is another perspective view thereof;
FIG. 3 is a front elevational view thereof;
FIG. 4 is a rear elevational view thereof;
FIG. 5 is a left side elevational view thereof;
FIG. 6 is a right side elevational view thereof;
FIG. 7 is a top plan view thereof;
FIG. 8 is a bottom plan view thereof;
FIG. 9 is an enlarged view of the encircled portion 9 of FIG. 1;
FIG. 10 is an enlarged view of the encircled portion 10 of FIG. 1;
FIG. 11 is an enlarged view of the encircled portion 11 of FIG. 2; and,
FIG. 12 is an enlarged view of the encircled portion 12 of FIG. 2.

The broken lines in the drawings are for the purpose of illustrating portions of the projector that form no part of the claimed design.

1 Claim, 12 Drawing Sheets



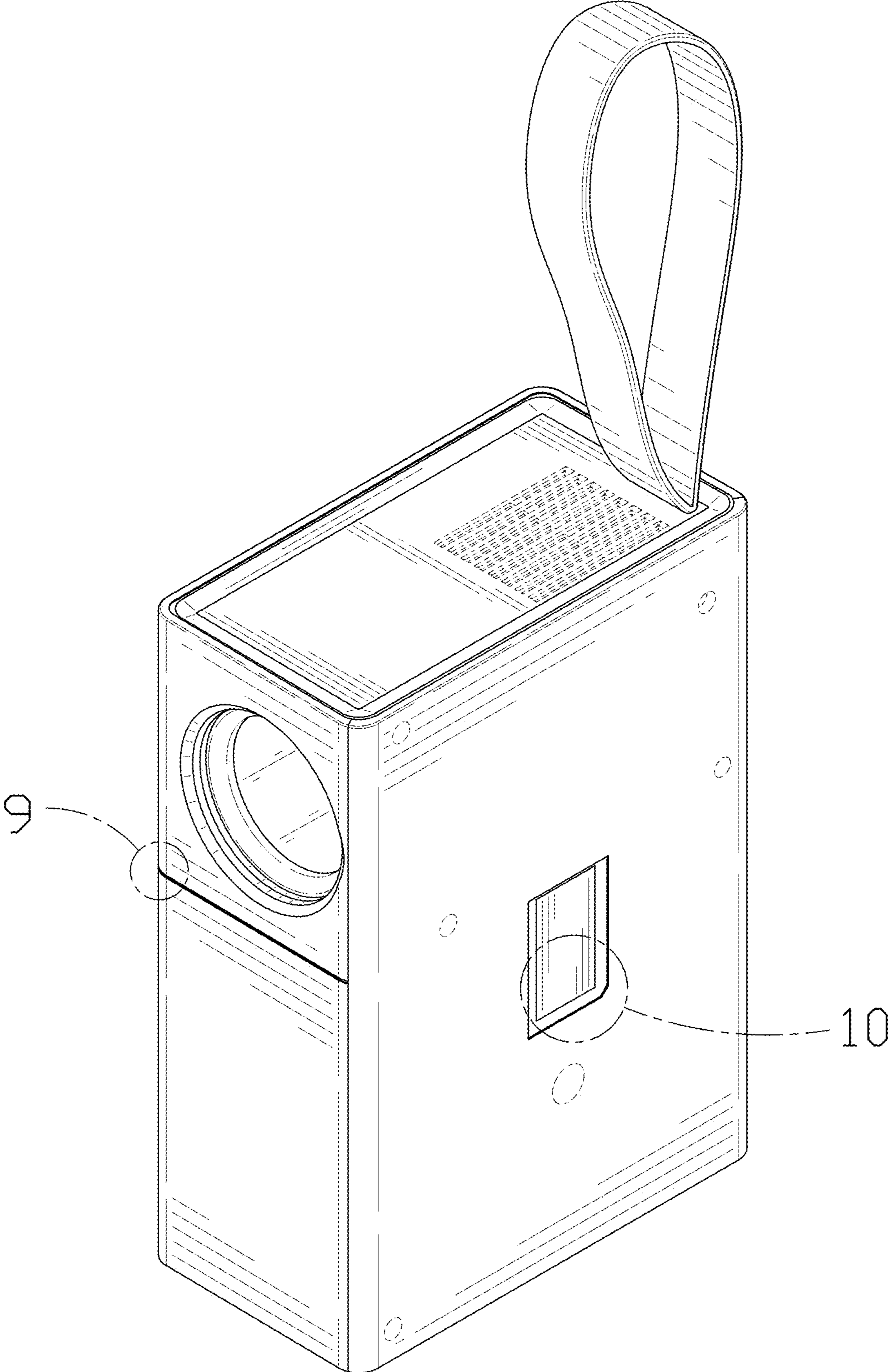


FIG. 1

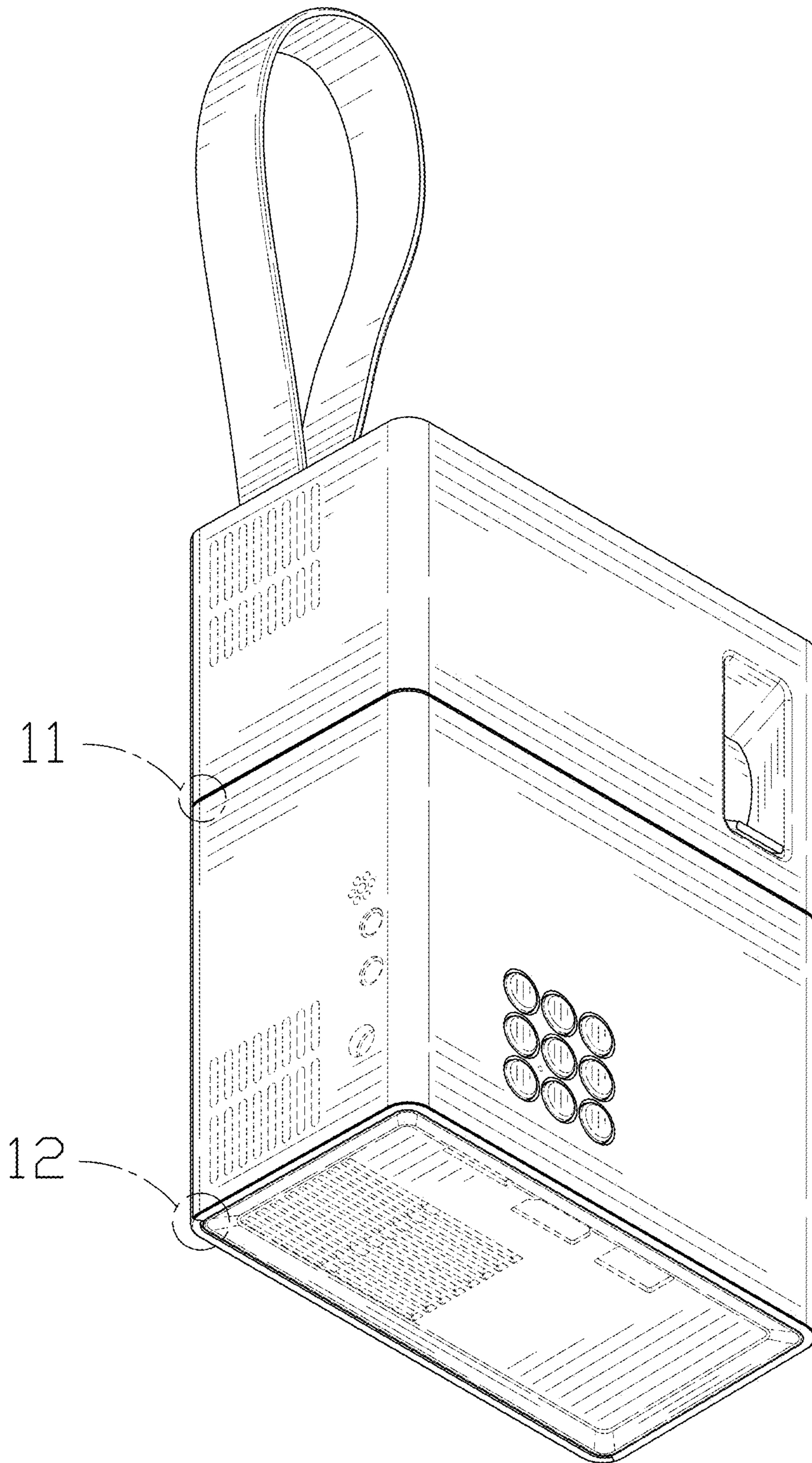


FIG. 2

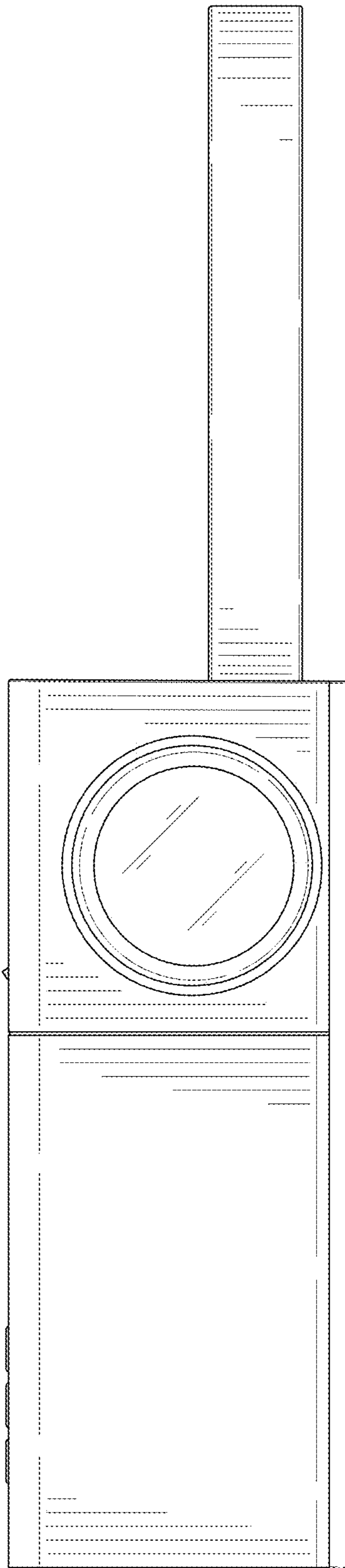


FIG. 3

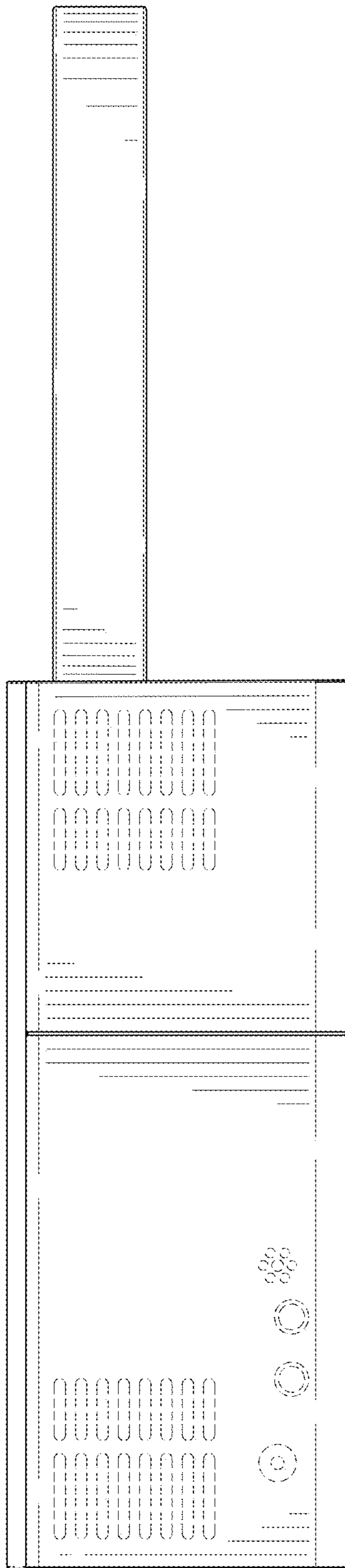


FIG. 4

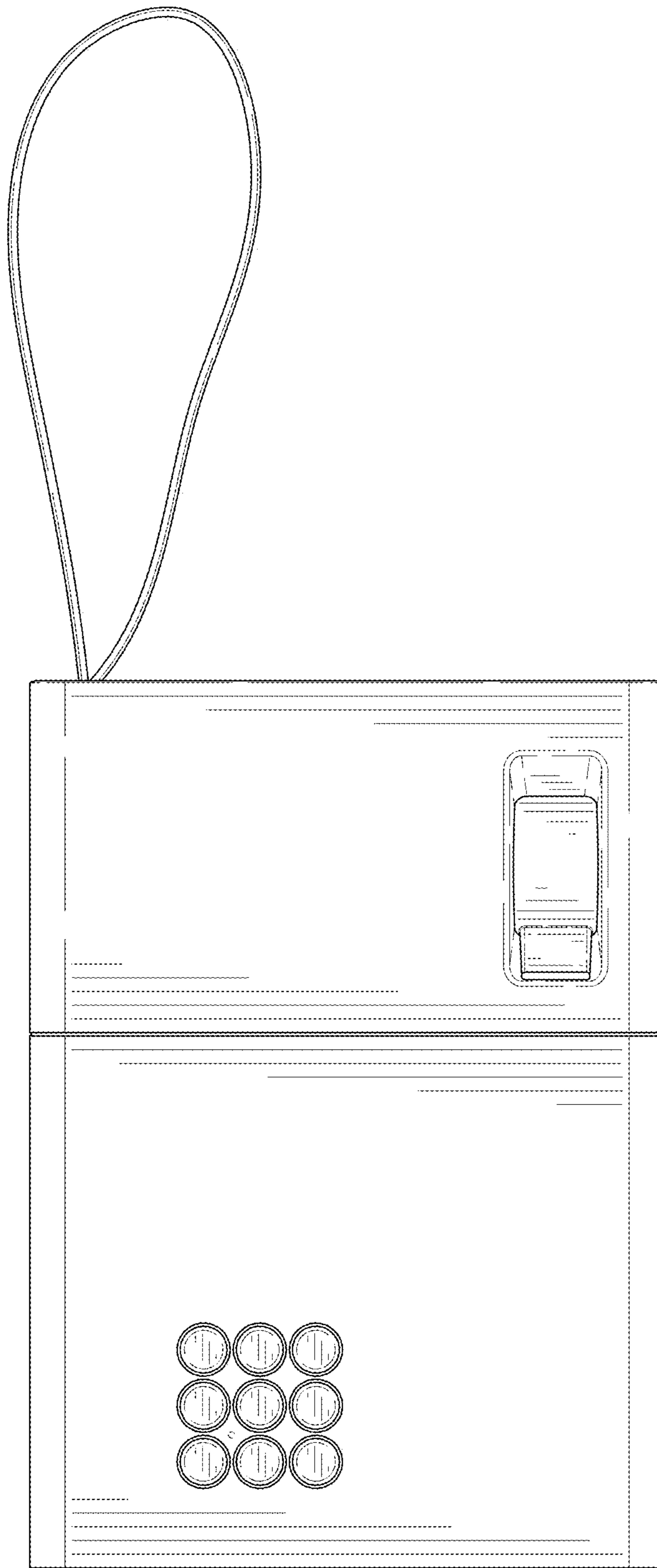


FIG. 5

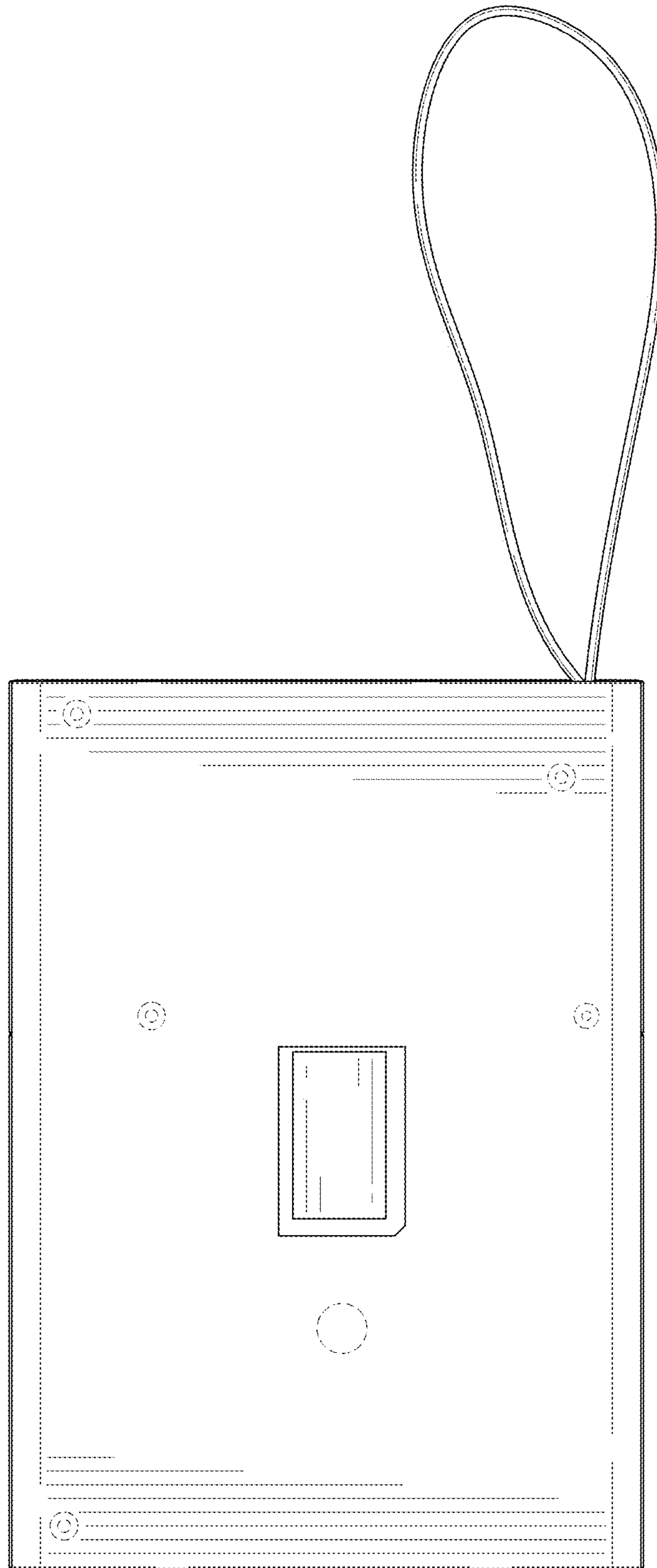


FIG. 6

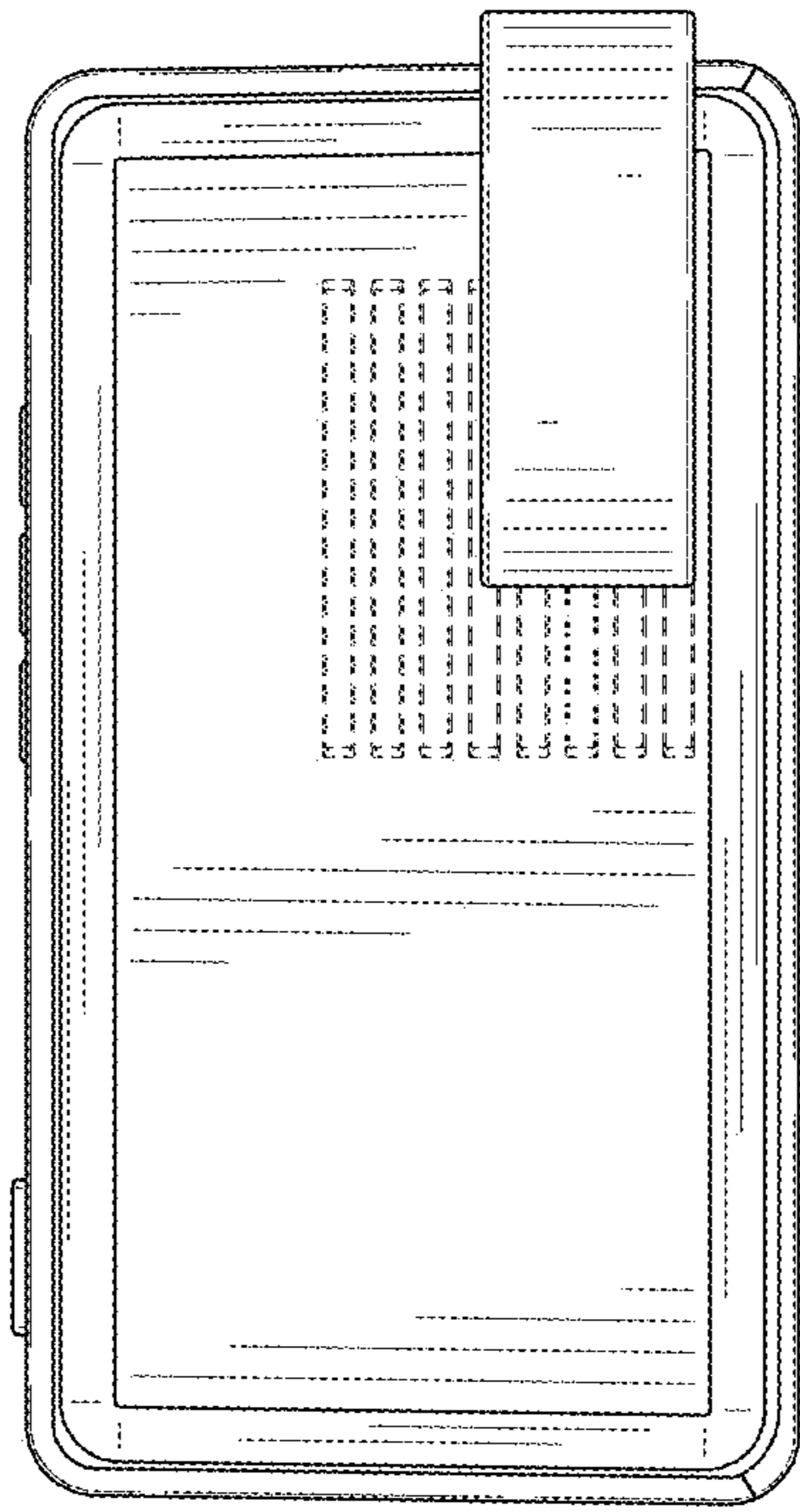


FIG. 7

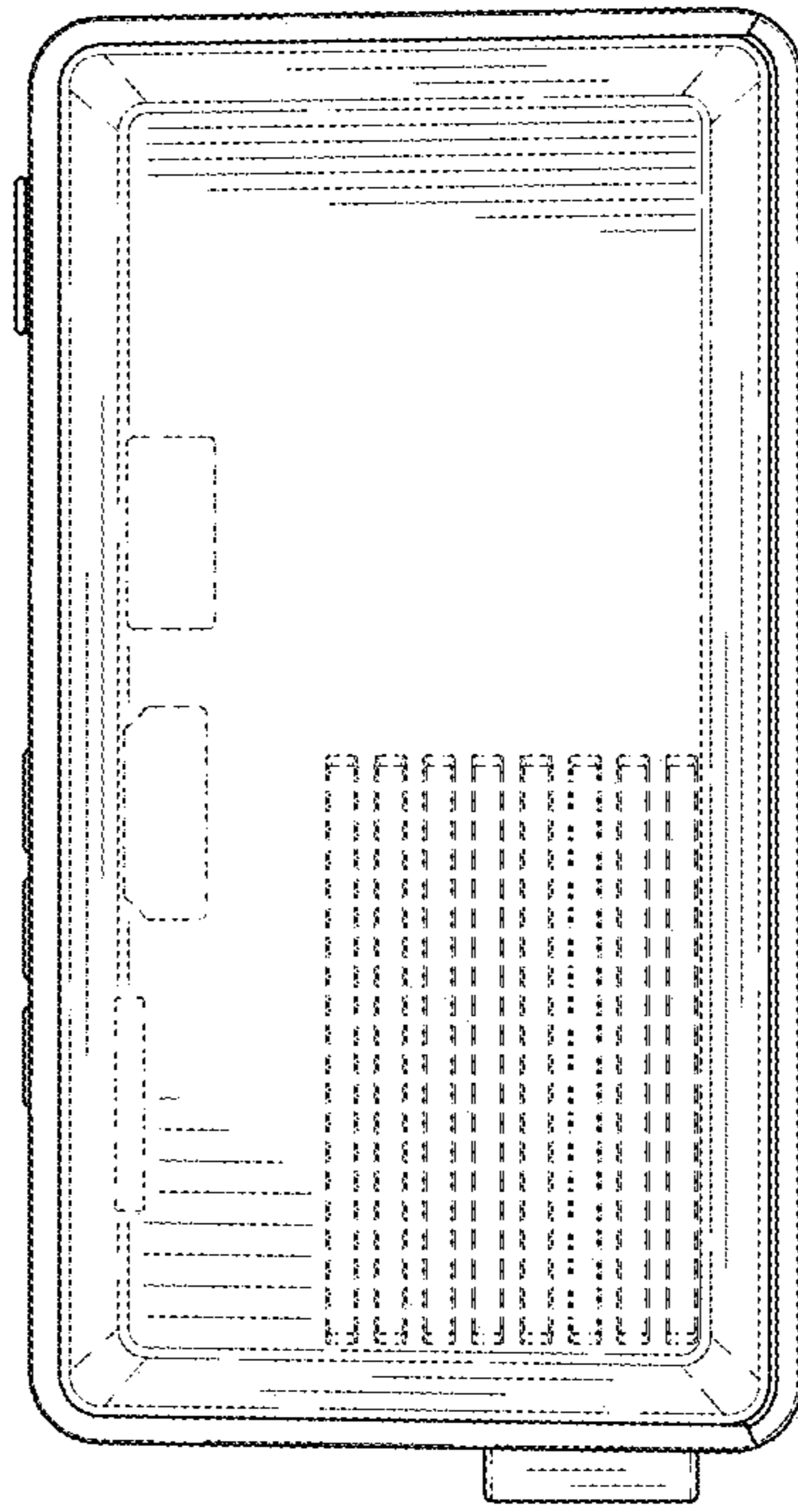


FIG. 8

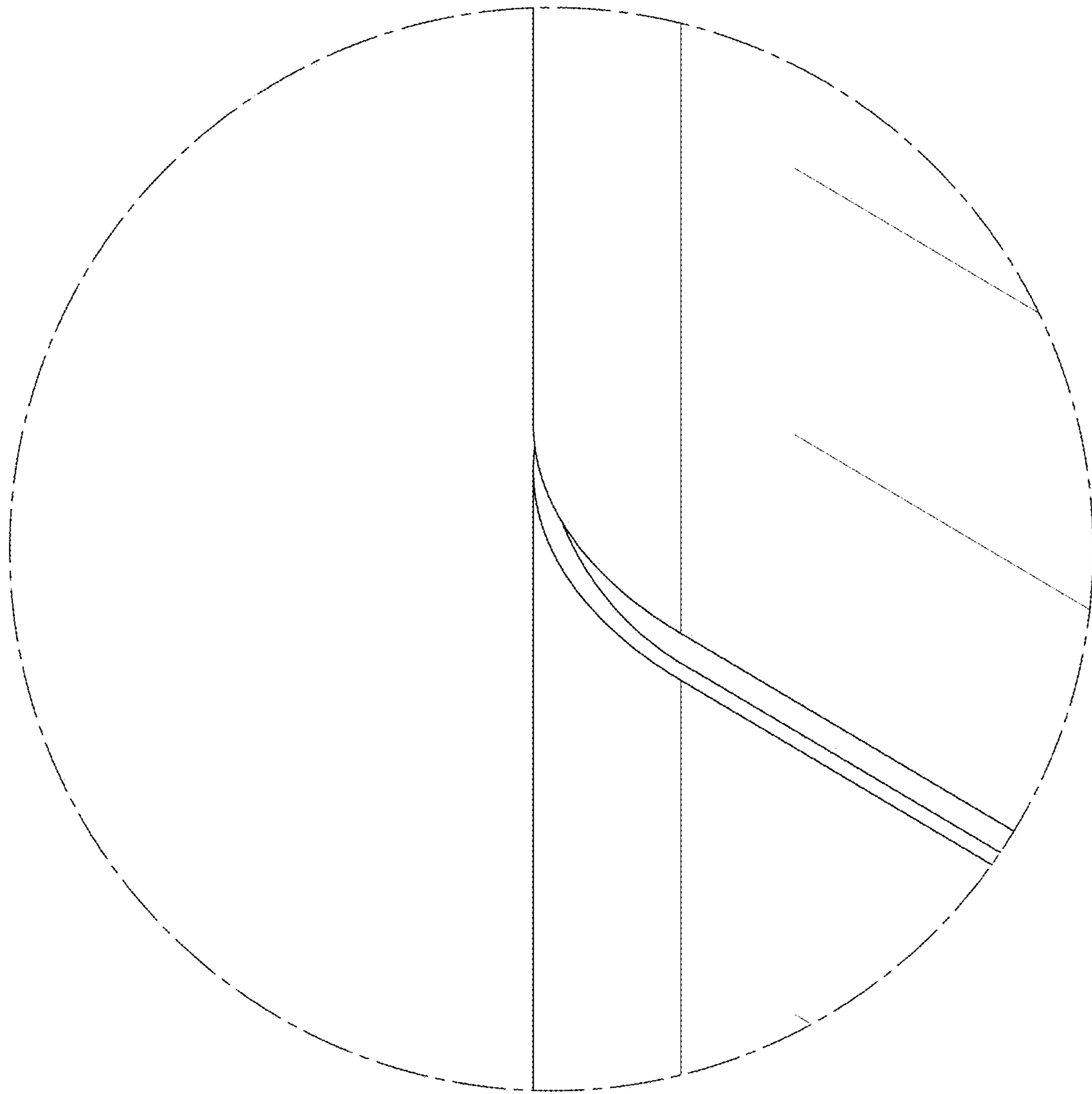


FIG. 9

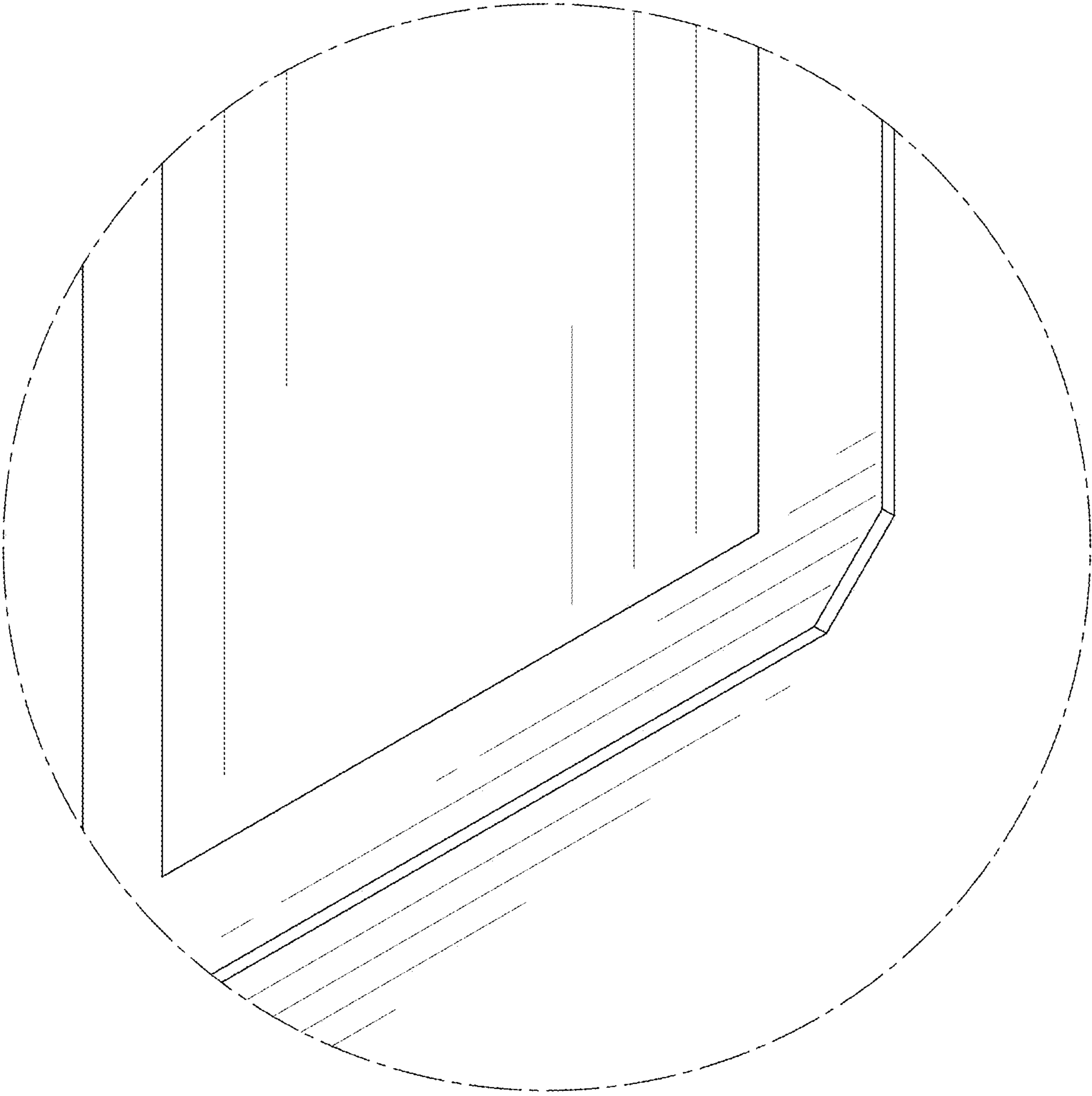


FIG. 10

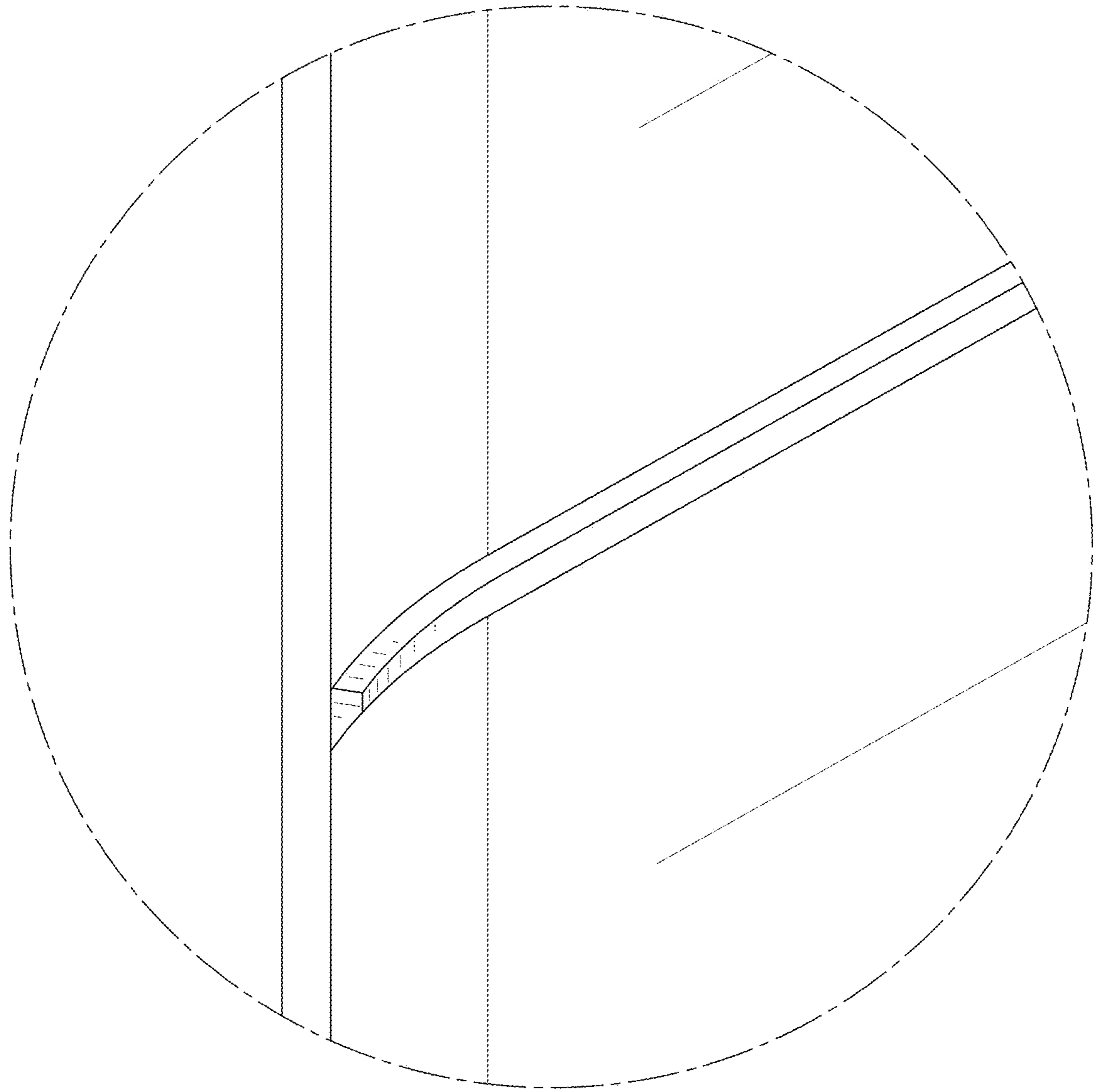


FIG. 11

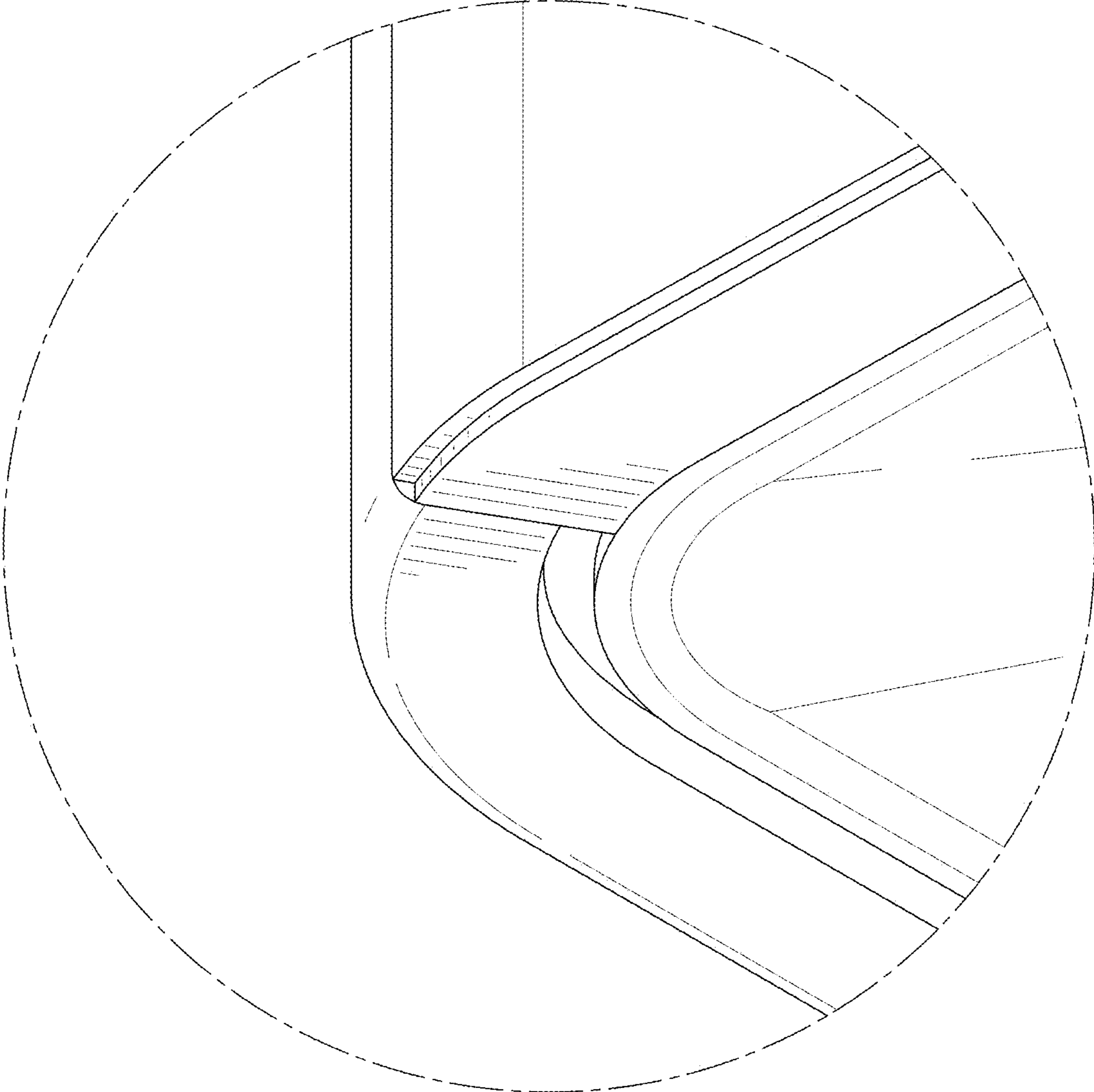


FIG. 12