

US00D964448S

(12) **United States Design Patent**
Wang

(10) **Patent No.:** **US D964,448 S**

(45) **Date of Patent:** **** Sep. 20, 2022**

(54) **KID CAMERA**

(71) Applicant: **Wanglin Wang**, Shenwangmo (CN)

(72) Inventor: **Wanglin Wang**, Shenwangmo (CN)

(**) Term: **15 Years**

(21) Appl. No.: **29/832,567**

(22) Filed: **Mar. 29, 2022**

Related U.S. Application Data

(63) Continuation-in-part of application No. 29/765,979, filed on Jan. 13, 2021.

(51) **LOC (13) Cl.** **16-01**

(52) **U.S. Cl.**
USPC **D16/217; D21/514**

(58) **Field of Classification Search**

USPC D16/200, 202-206, 208, 217-219;
D21/514; 348/373-376; 396/535,
396/539-541
CPC G03B 15/03; G03B 17/02; G03B 17/04;
G03B 17/56; G03B 19/04; H04N 5/2251;
H04N 5/2252; H04N 5/2253; H04N
5/2254; H04N 2101/00
See application file for complete search history.

(56) **References Cited**

U.S. PATENT DOCUMENTS

D356,587 S * 3/1995 Shuler D16/200
D373,130 S * 8/1996 Jin D16/218

D451,117 S * 11/2001 Huthmaker D16/202
D476,675 S * 7/2003 Tran D16/218
6,628,901 B2 * 9/2003 Naka G03B 7/26
396/301
D522,557 S * 6/2006 Chen D16/202
D524,837 S * 7/2006 Chen D16/202
D616,008 S * 5/2010 Enervold D16/218
D676,476 S * 2/2013 Ishikura D16/202

* cited by examiner

Primary Examiner — Ramzi Almatrahi

(74) *Attorney, Agent, or Firm* — Rumit Ranjit Kanakia

(57) **CLAIM**

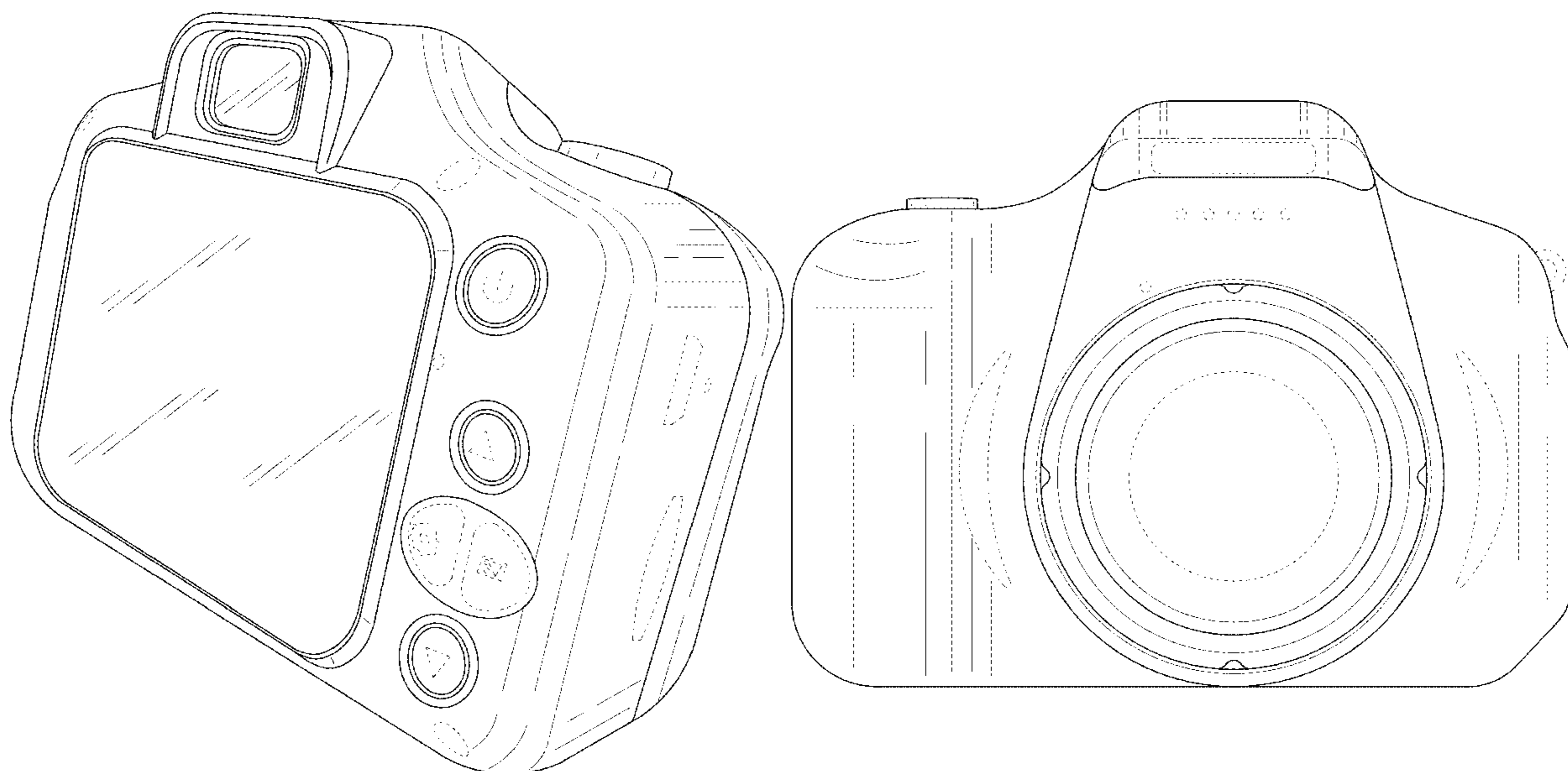
I claim the ornamental design for a kid camera, as shown and described.

DESCRIPTION

FIG. 1 is a front perspective view of a kid camera showing my new design;
FIG. 2 is a front view thereof;
FIG. 3 is a back view thereof;
FIG. 4 is a right-side view thereof;
FIG. 5 is a left-side view thereof;
FIG. 6 is a top view thereof; and,
FIG. 7 is a bottom view thereof.

The broken lines in the drawings depict portions of the kid camera that form no part of the claimed design.

1 Claim, 7 Drawing Sheets



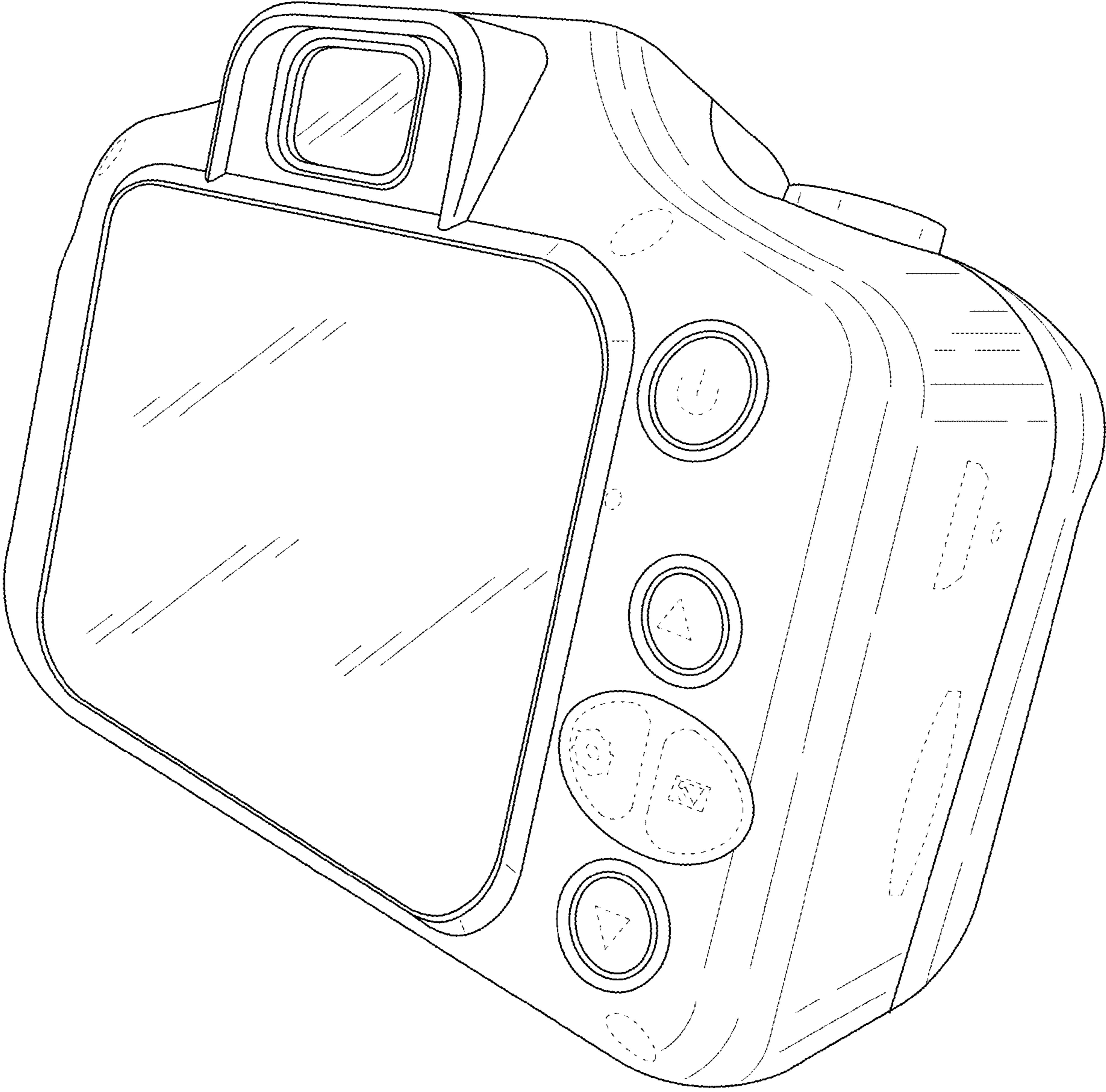


FIG. 1

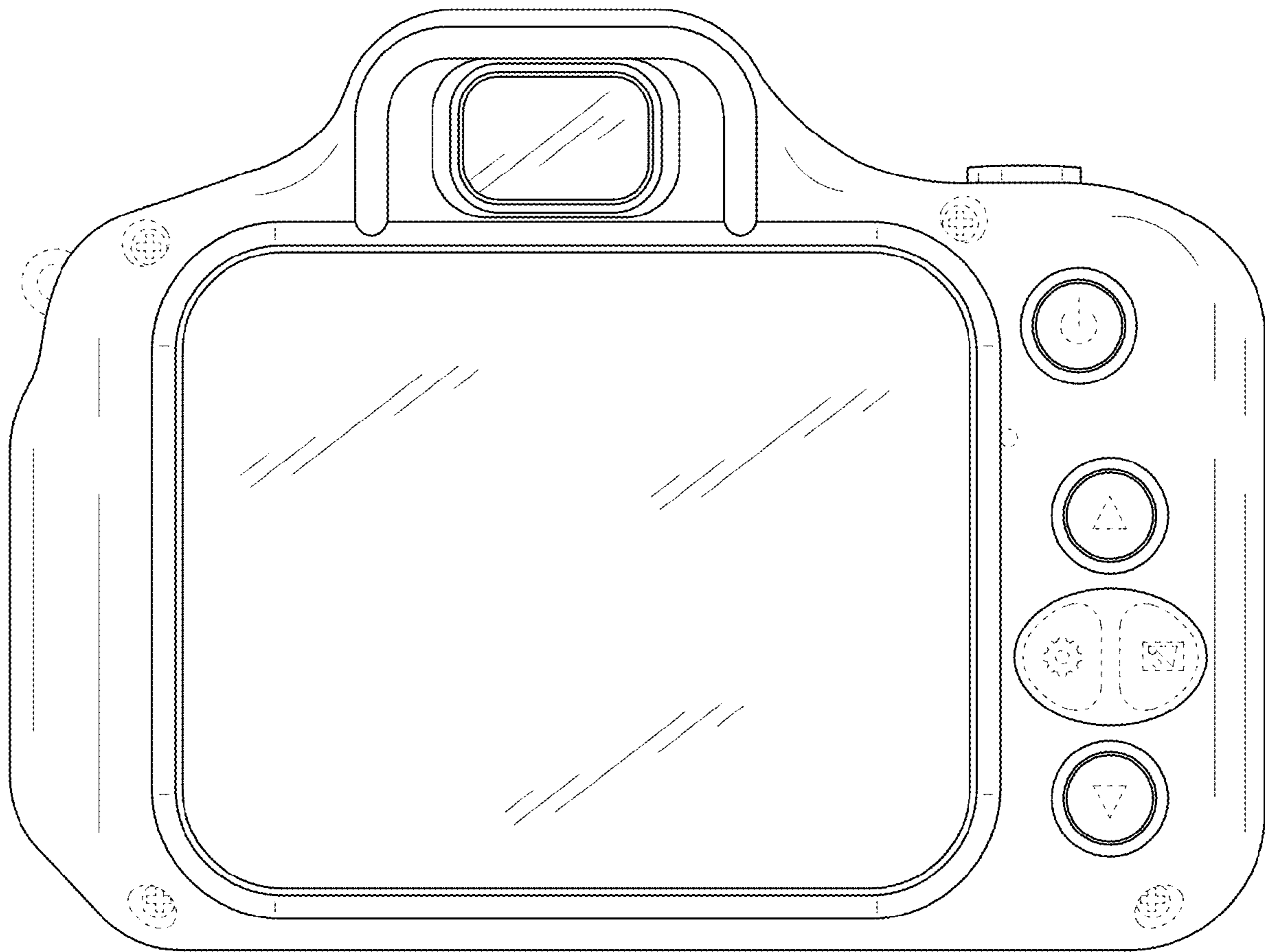


FIG. 2

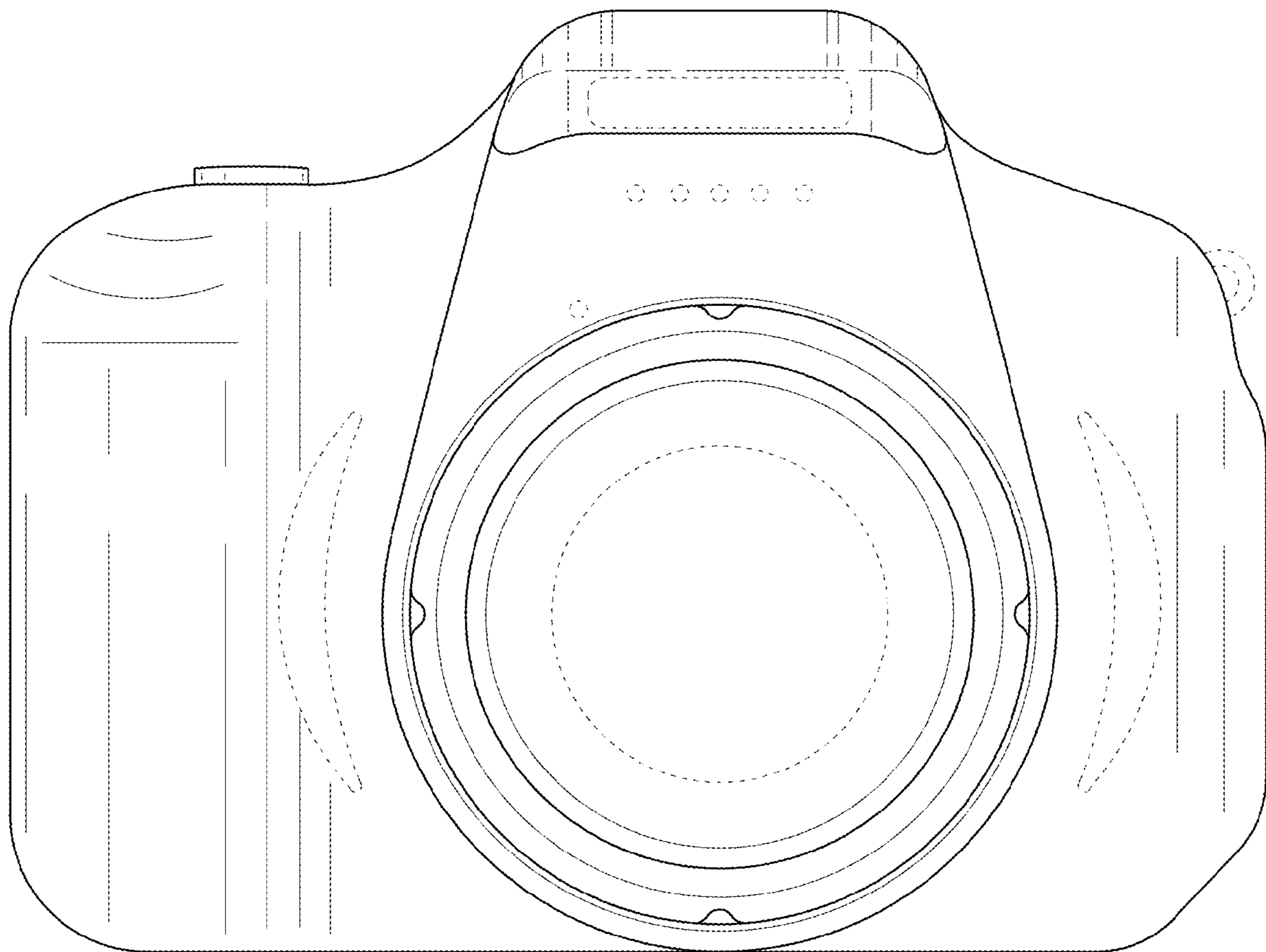


FIG. 3

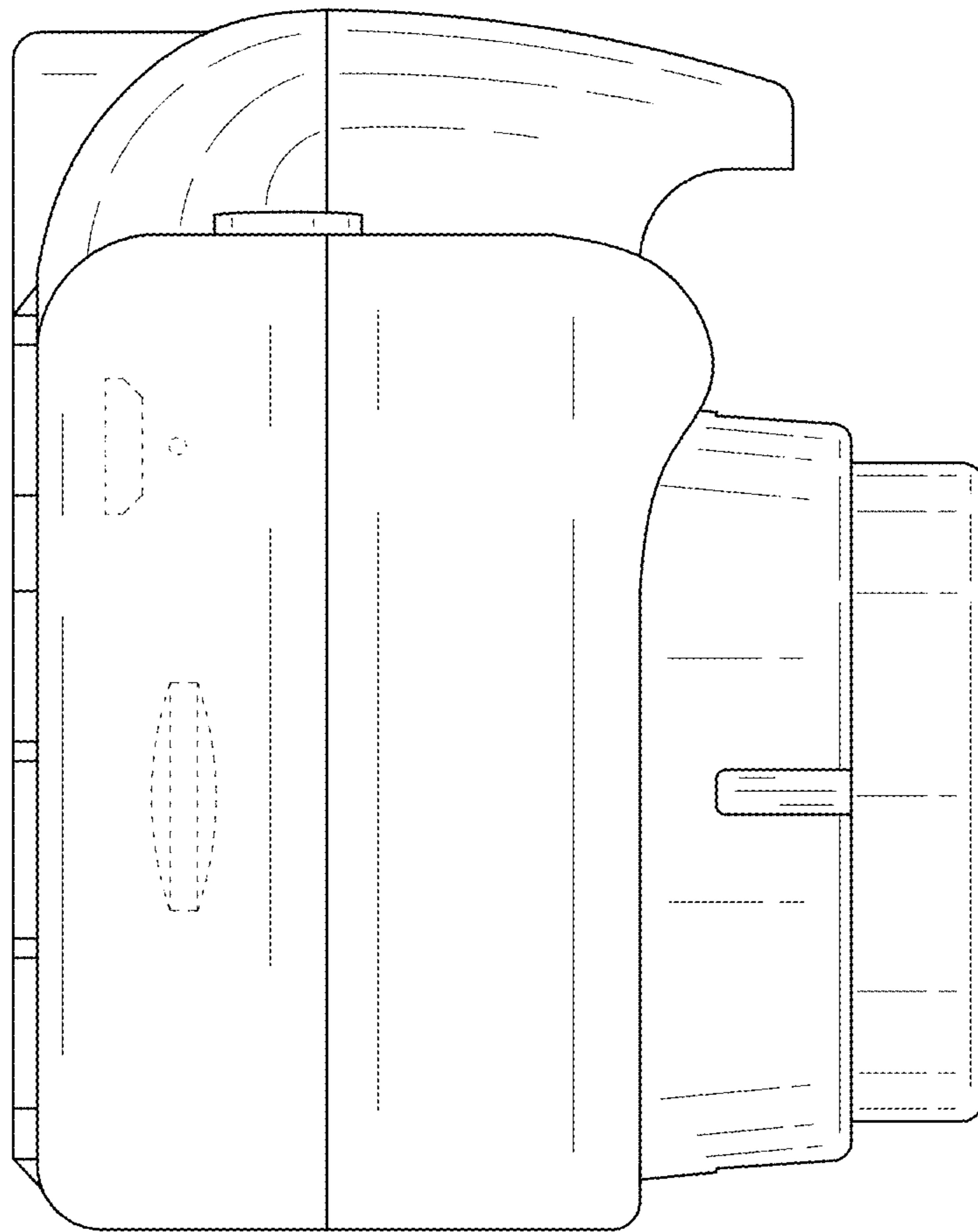


FIG. 4

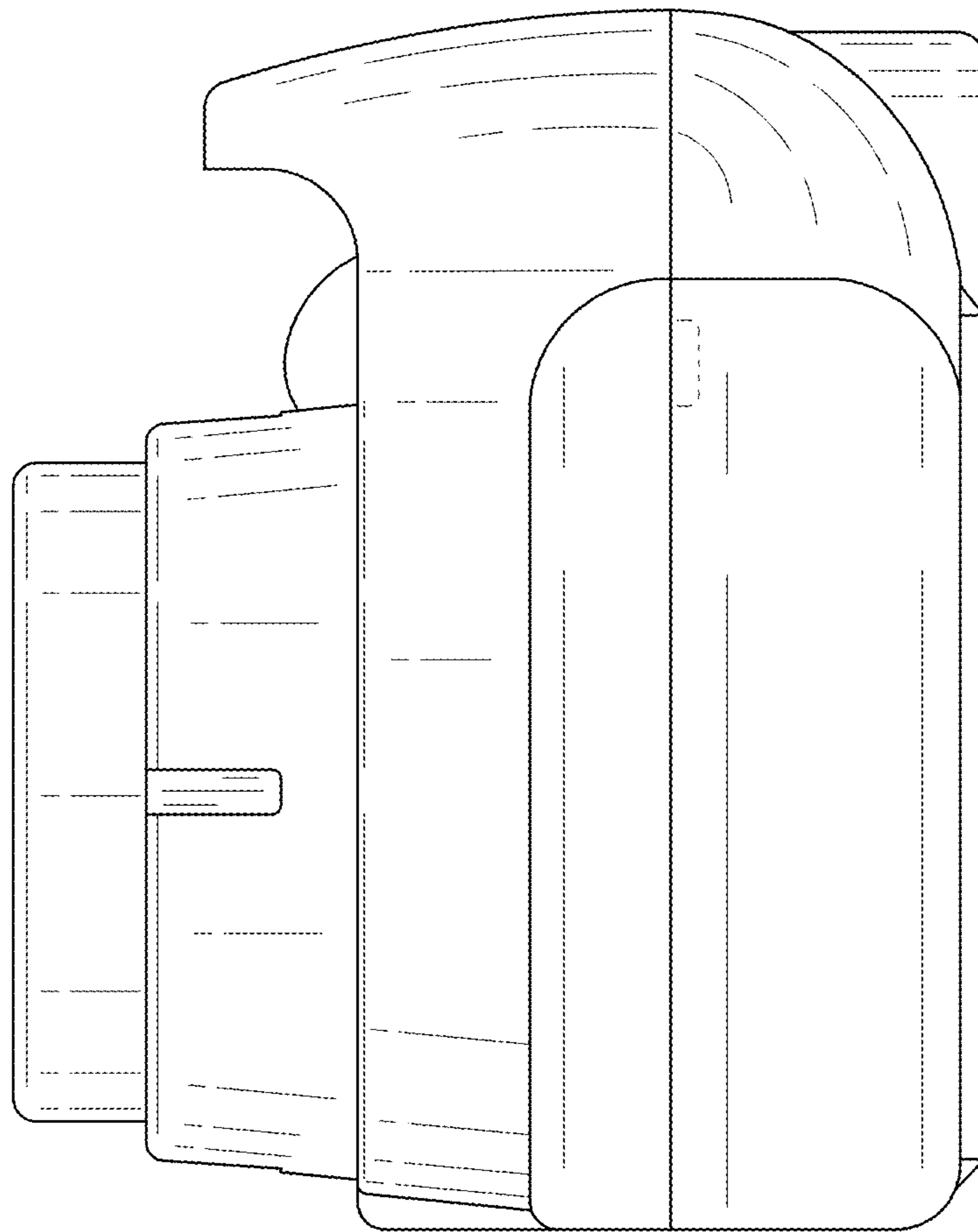


FIG. 5

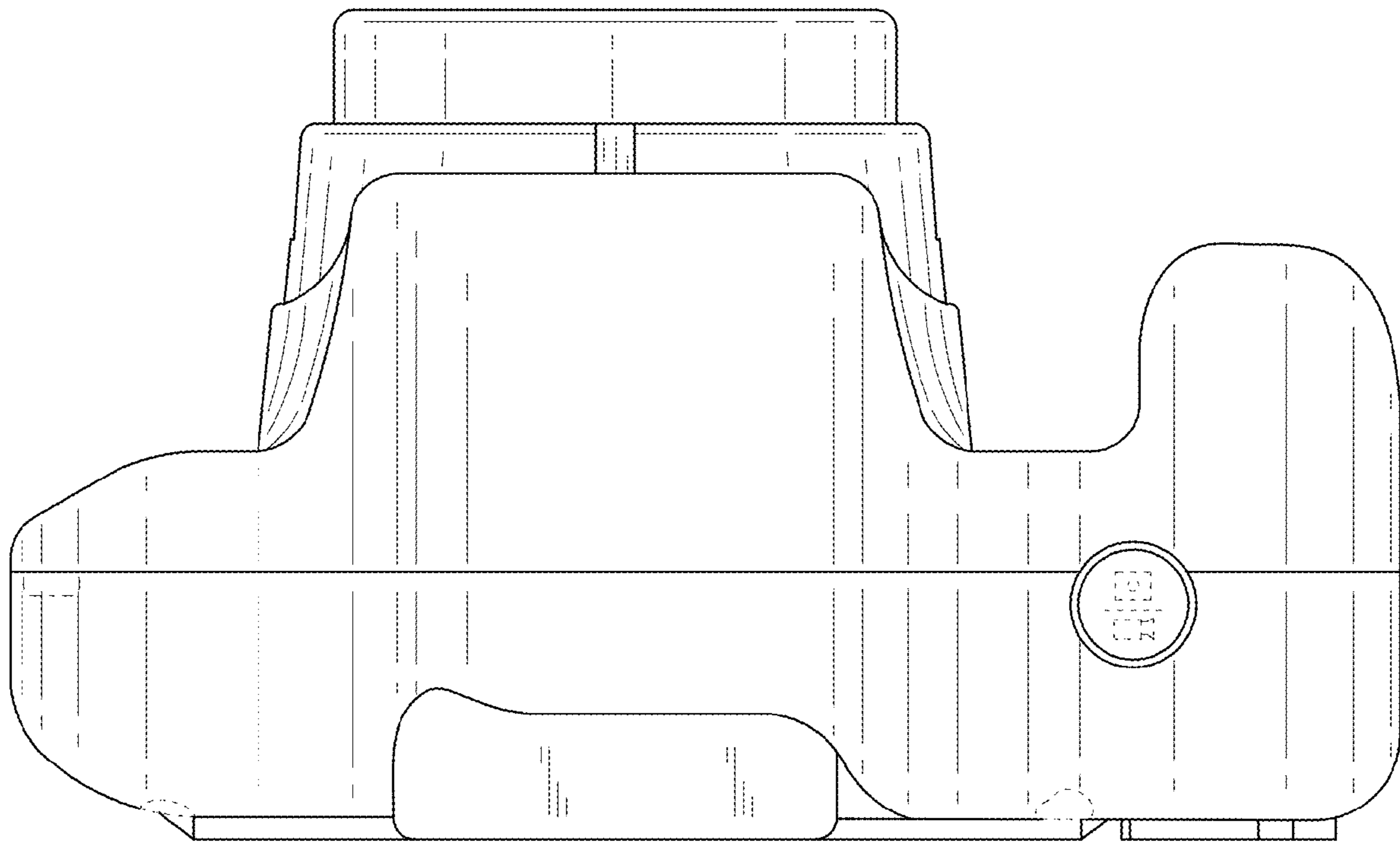


FIG. 6

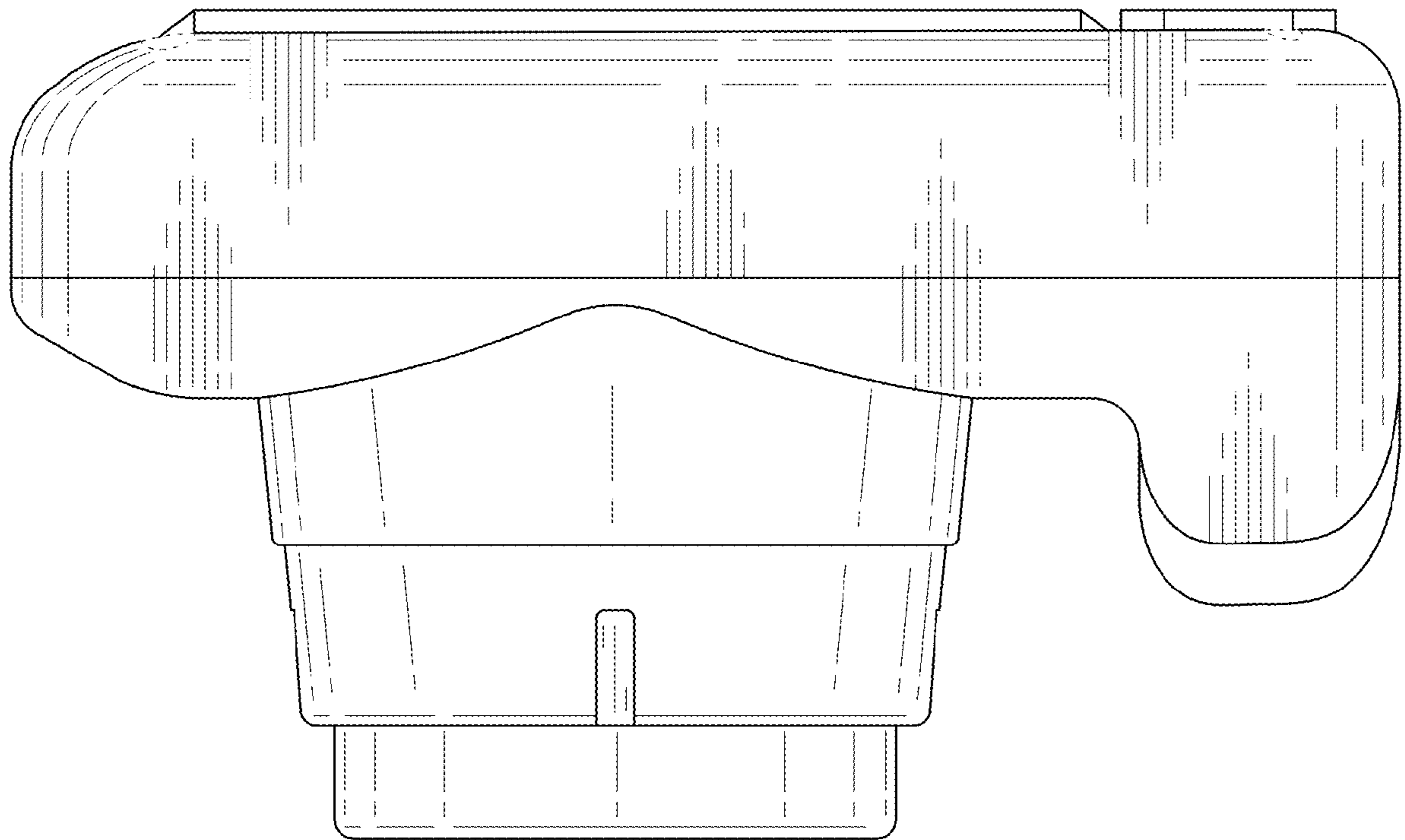


FIG. 7



US00D964448C1

(12) **EX PARTE REEXAMINATION CERTIFICATE** (12597th)
United States Patent
Wang

(10) **Number:** **US D964,448 C1**
(45) **Certificate Issued:** **May 10, 2024**

(54) **KID CAMERA**

(71) Applicant: **Wanglin Wang**, Shenwangmo (CN)

(72) Inventor: **Wanglin Wang**, Shenwangmo (CN)

(73) Assignee: **Wanglin Wang**, Shenwangmo (CN)

Reexamination Request:

No. 90/019,222, Jun. 26, 2023

Reexamination Certificate for:

Patent No.: **Des. 964,448**
Issued: **Sep. 20, 2022**
Appl. No.: **29/832,567**
Filed: **Mar. 29, 2022**

Related U.S. Application Data

(63) Continuation-in-part of application No. 29/765,979,
filed on Jan. 13, 2021, now abandoned.

(51) **LOC (14) Cl.** 16-01

(52) **U.S. Cl.**
USPC **D16/217; D21/514**

(58) **Field of Classification Search**

USPC D16/200, 202–206, 208, 217–219;
D21/514

CPC G03B 15/03; G03B 17/02; G03B 17/04;

G03B 17/56; G03B 19/04; H04N 5/2251;

H04N 5/2252; H04N 5/2253; H04N

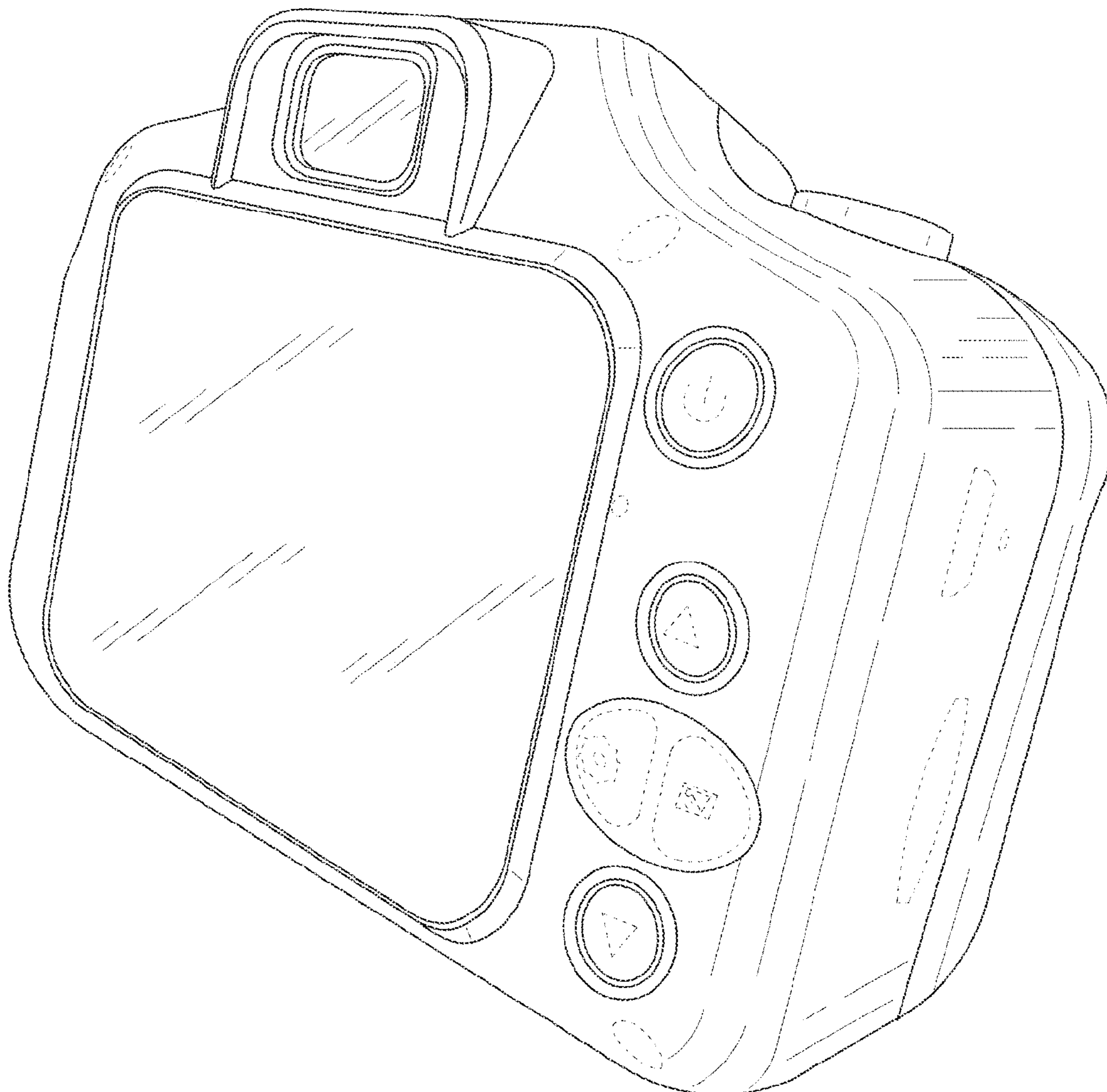
5/2254; H04N 2101/00

See application file for complete search history.

(56) **References Cited**

To view the complete listing of prior art documents cited during the proceeding for Reexamination Control Number 90/019,222, please refer to the USPTO's Patent Electronic System.

Primary Examiner — Darlington Ly



1
EX PARTE
REEXAMINATION CERTIFICATE

THE PATENT IS HEREBY AMENDED AS
INDICATED BELOW.

5

AS A RESULT OF REEXAMINATION, IT HAS BEEN
DETERMINED THAT:

The claim 1 is cancelled.

10

* * * * *