

US00D964447S

(12) **United States Design Patent**  
**Wang**

(10) **Patent No.:** **US D964,447 S**

(45) **Date of Patent:** **\*\* Sep. 20, 2022**

(54) **INFRARED WATERPROOF HUNTER CAMERA**

(71) Applicant: **SHENZHEN WDO VIDEO DEVELOPMENT CO., LTD.**,  
Shenzhen (CN)

(72) Inventor: **Chunsheng Wang**, Shenzhen (CN)

(73) Assignee: **Shenzhen WDO Video Development Limited**, Shenzhen (CN)

(\*\*) Term: **15 Years**

(21) Appl. No.: **29/686,952**

(22) Filed: **Apr. 9, 2019**

(51) **LOC (13) Cl.** ..... **16-01**

(52) **U.S. Cl.**  
USPC ..... **D16/203**

(58) **Field of Classification Search**  
USPC ..... D16/200, 202–206, 218, 219, 242;  
348/143, 148, 151, 155, 164, 373–376;  
396/419, 427, 535, 539–541  
CPC ..... G03B 17/02; G03B 19/04; G03B 17/56;  
G03B 17/04; G03B 15/03; H04N 5/2251;  
H04N 5/2252; H04N 5/2253; H04N  
5/2254; H04N 7/181; H04N 7/183; H04N  
7/18; G08B 13/1963; G08B 13/19619;  
G08B 13/19632; G08B 13/19602; G08B  
13/19634; F16M 11/04; F16M 13/00  
See application file for complete search history.

(56) **References Cited**

**U.S. PATENT DOCUMENTS**

7,534,056 B2 \* 5/2009 Cross ..... F16M 13/02  
70/2  
D833,506 S \* 11/2018 Chen ..... D16/218

D838,763 S \* 1/2019 Yu ..... D16/218  
D865,023 S \* 10/2019 Chen ..... D16/203  
D874,537 S \* 2/2020 Ye ..... D16/203  
D874,538 S \* 2/2020 Qi ..... D16/203  
D874,545 S \* 2/2020 Wang ..... D16/218  
D874,546 S \* 2/2020 Yu ..... D16/218  
D875,162 S \* 2/2020 Yu ..... D16/218  
D875,807 S \* 2/2020 Luo ..... D16/203  
D881,969 S \* 4/2020 Li ..... D16/203  
D883,358 S \* 5/2020 Ren ..... D16/203  
D883,359 S \* 5/2020 Ren ..... D16/203  
D883,360 S \* 5/2020 Ren ..... D16/203  
D883,361 S \* 5/2020 Ren ..... D16/203  
D903,736 S \* 12/2020 Ye ..... D16/202  
D921,735 S \* 6/2021 Yu ..... D16/203

\* cited by examiner

*Primary Examiner* — Ramzi Almatrahi

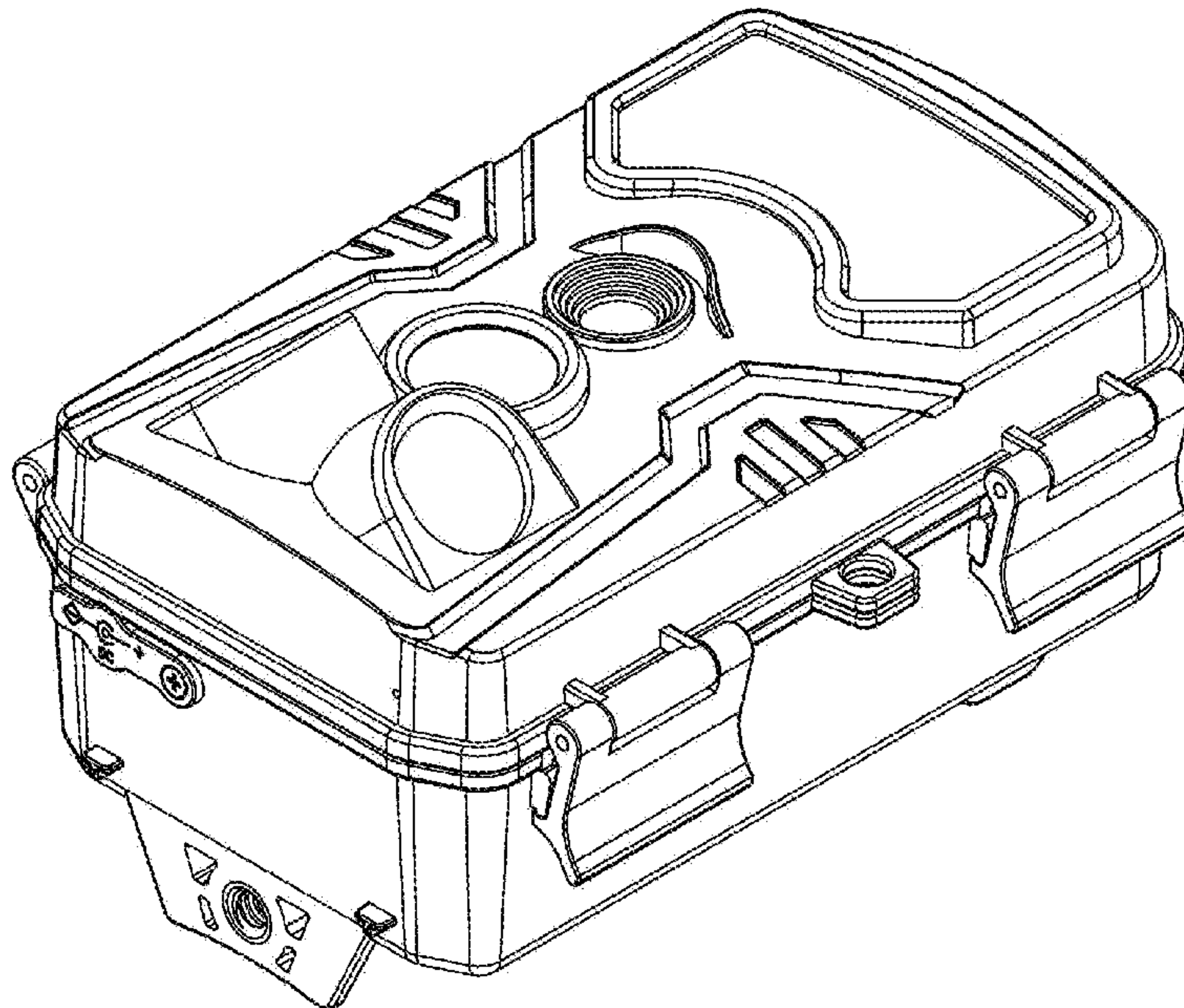
(57) **CLAIM**

The ornamental design for an infrared waterproof hunter camera, as shown and described.

**DESCRIPTION**

FIG. 1 is a perspective view of an infrared waterproof hunter camera showing my new design;  
FIG. 2 is a front view thereof;  
FIG. 3 is a rear view thereof;  
FIG. 4 is a left side view thereof;  
FIG. 5 is a right side view thereof;  
FIG. 6 is a top plan view thereof; and,  
FIG. 7 is a bottom plan, view thereof.

**1 Claim, 7 Drawing Sheets**



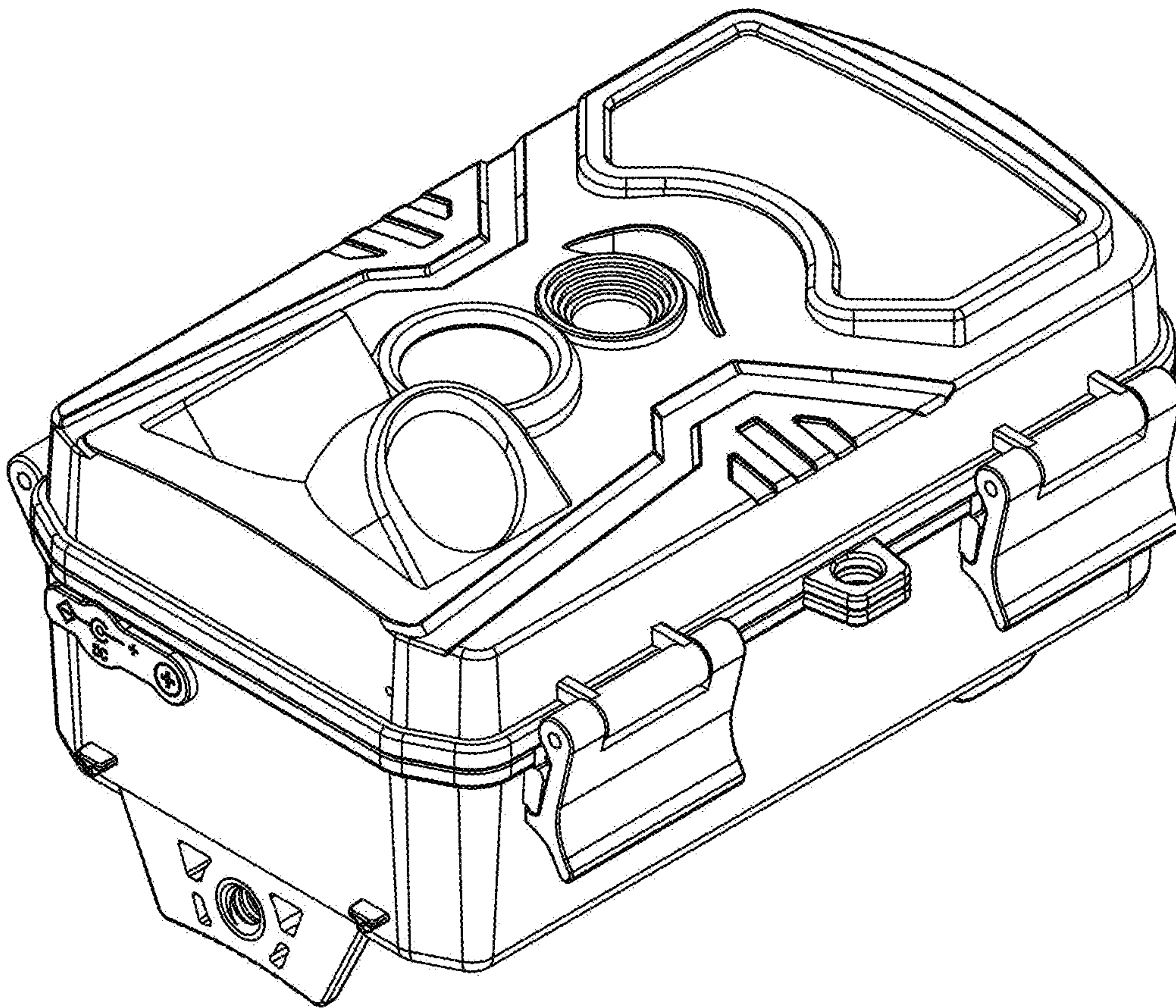


FIG. 1



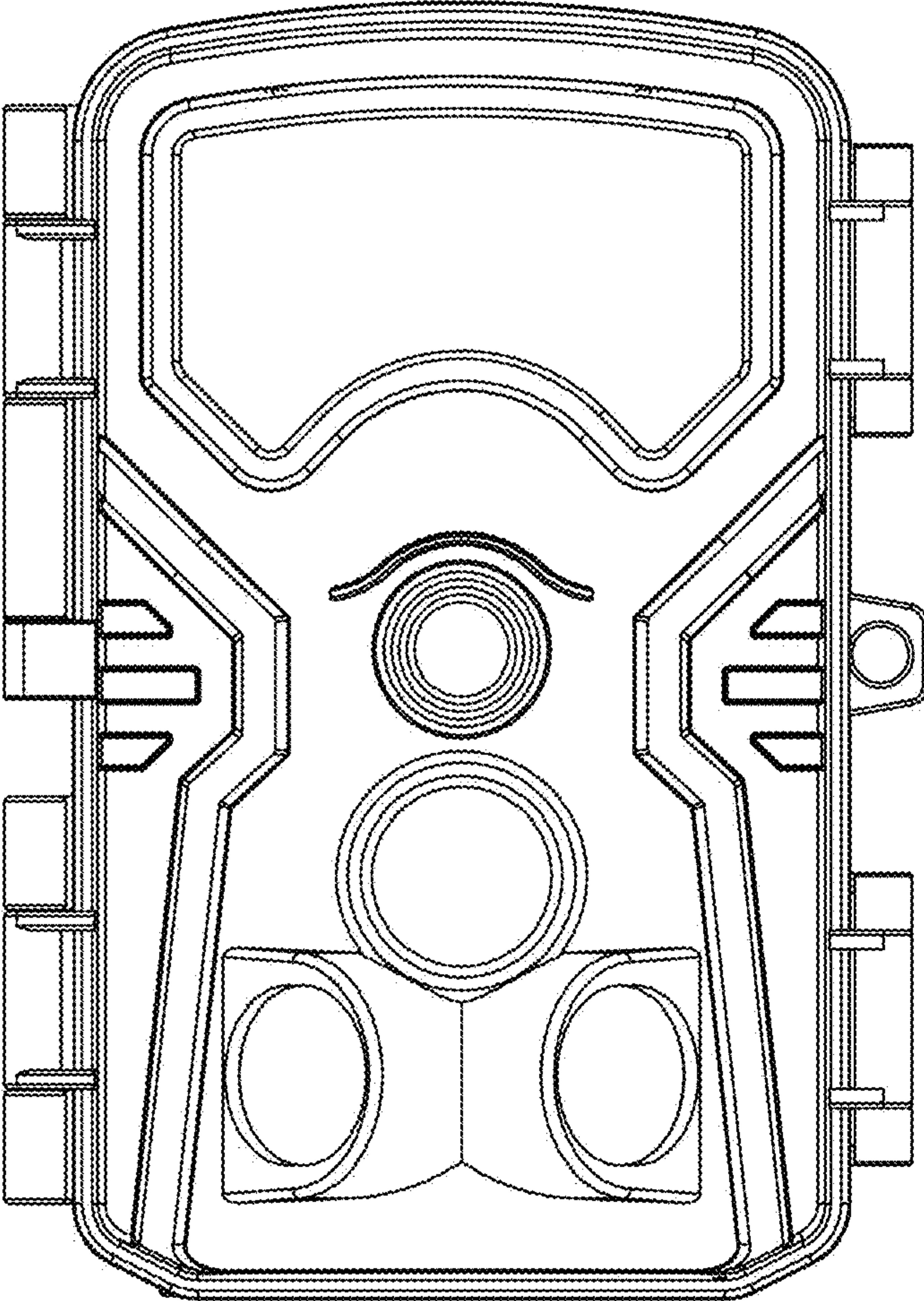


FIG. 2

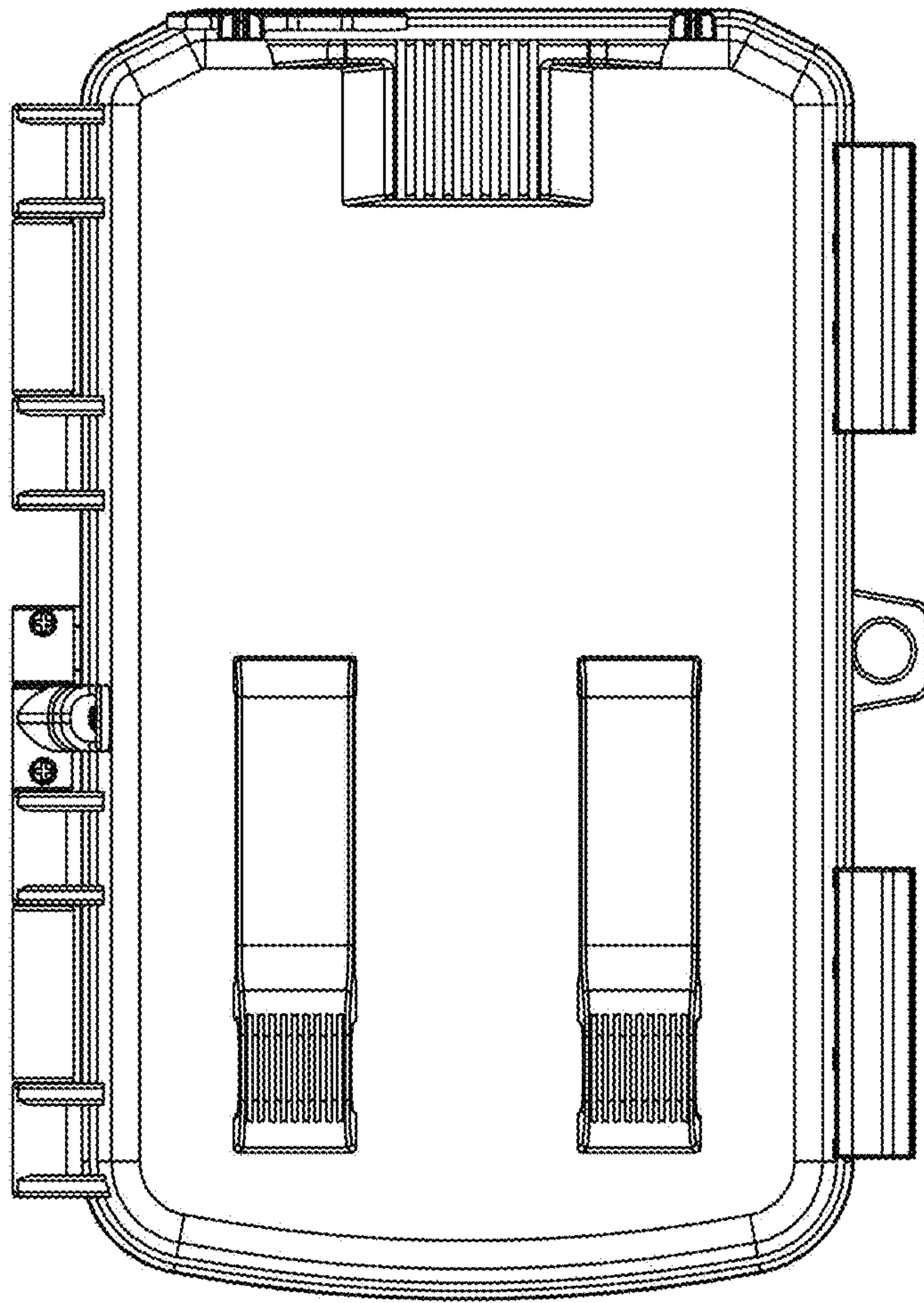


FIG. 3

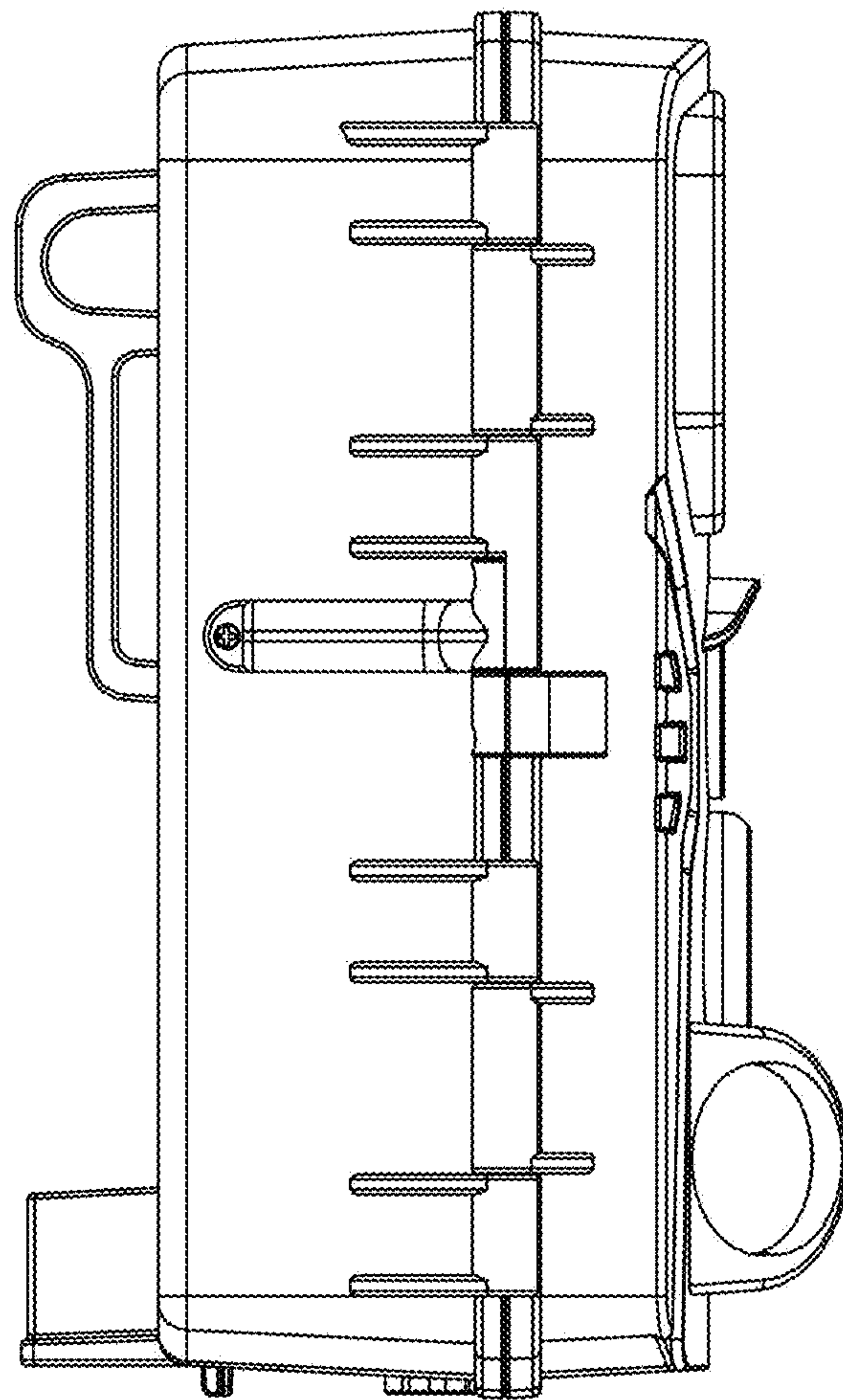


FIG. 4

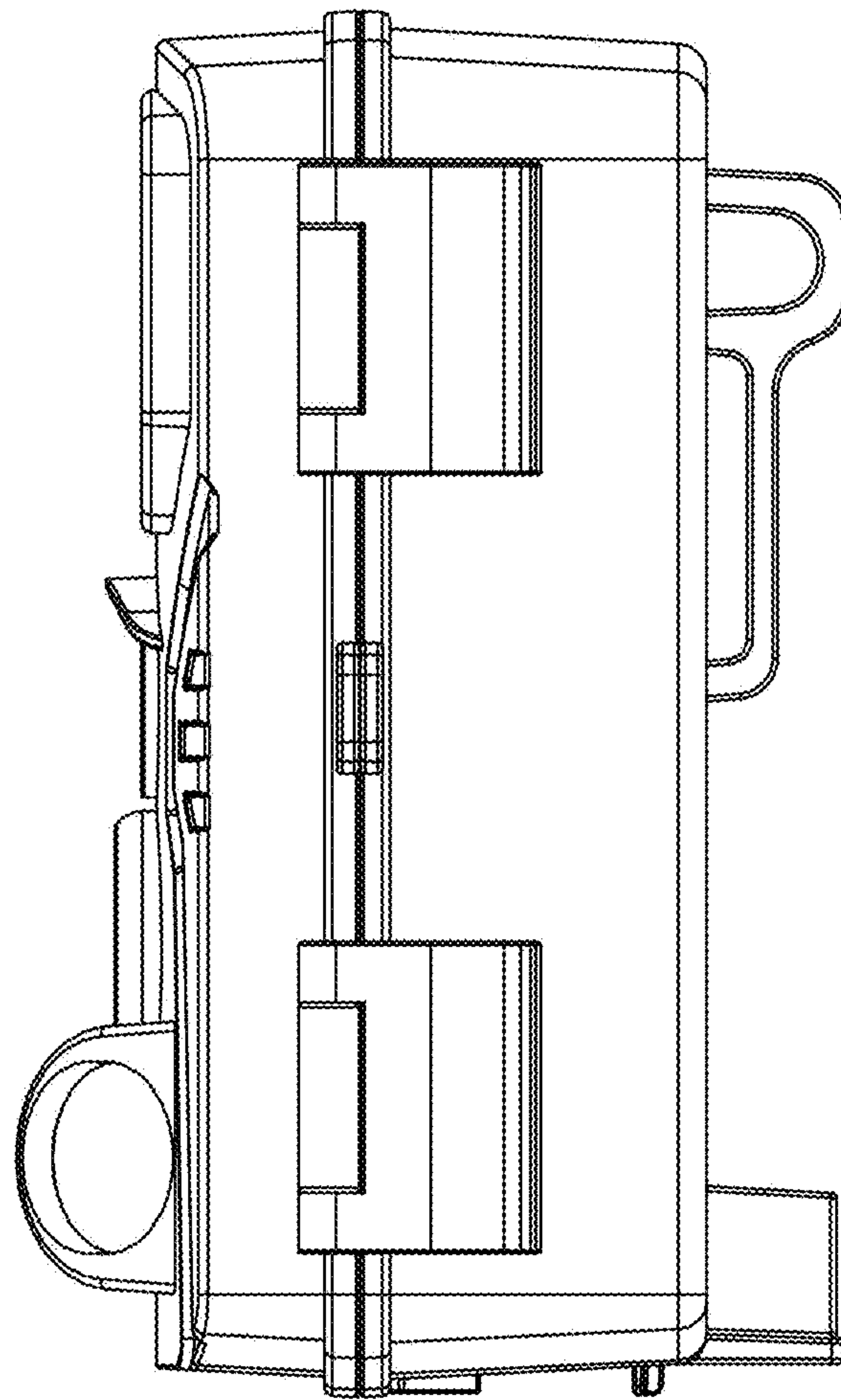


FIG. 5

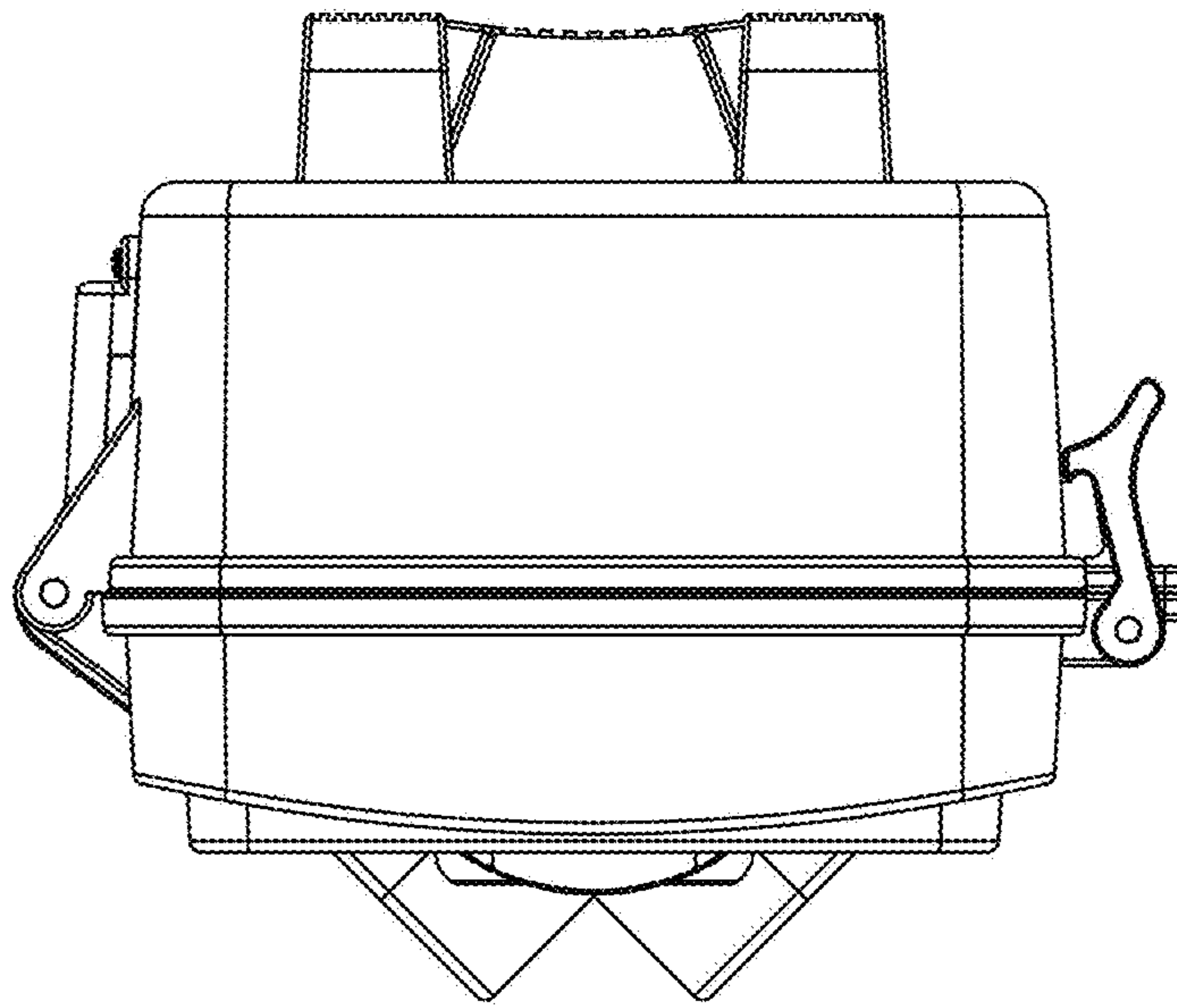


FIG. 6



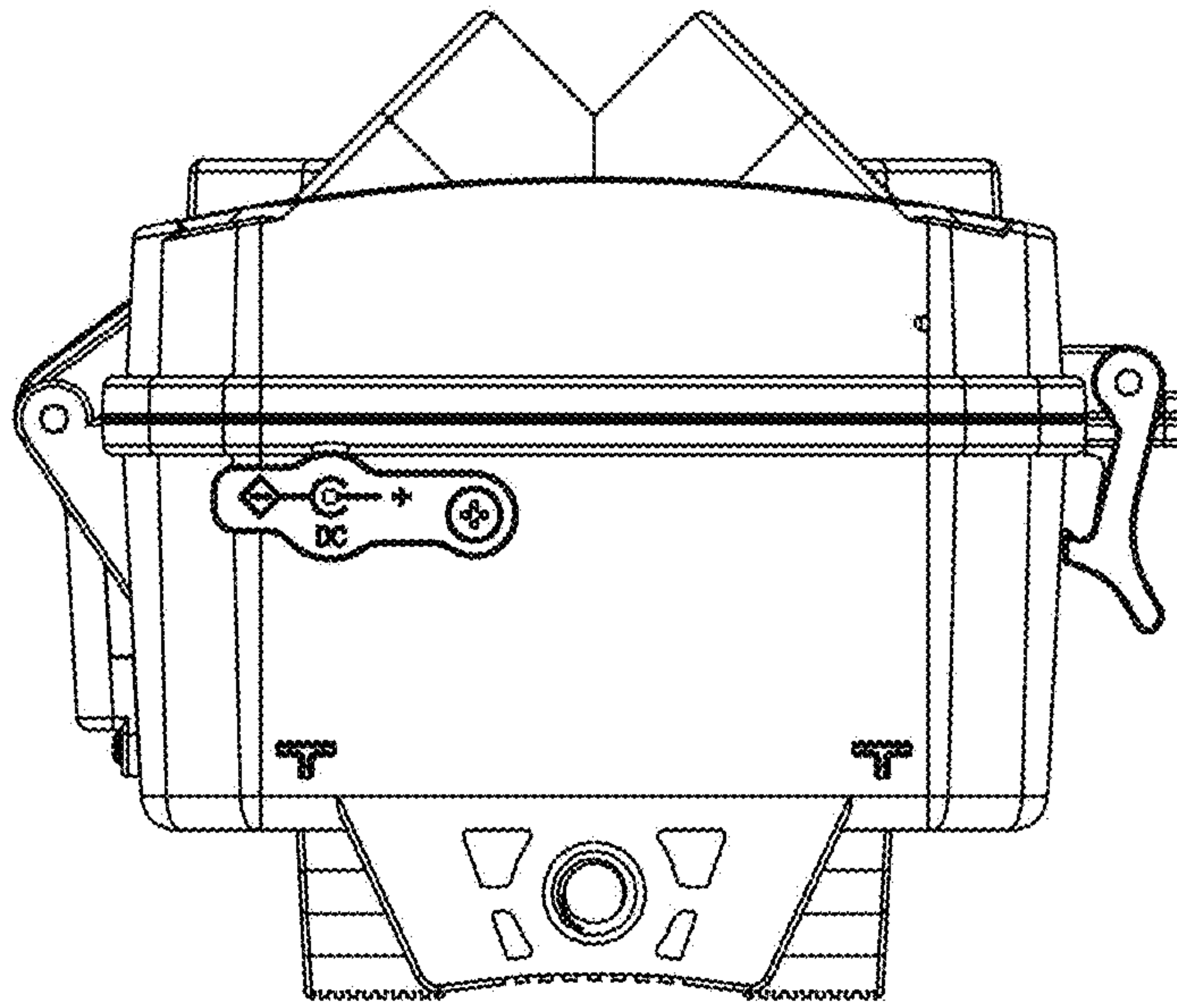


FIG. 7