

US00D964444S

(12) **United States Design Patent**
Meng et al.

(10) **Patent No.:** **US D964,444 S**

(45) **Date of Patent:** **** Sep. 20, 2022**

(54) **AUTOMATICALLY GUIDED VEHICLE**

(71) Applicant: **HANGZHOU HIKROBOT TECHNOLOGY CO., LTD.**, Hangzhou (CN)

(72) Inventors: **Qingsheng Meng**, Hangzhou (CN); **Kongxin Li**, Hangzhou (CN)

(73) Assignee: **Hangzhou Hikrobot Technology Co., Ltd.**, Hangzhou (CN)

(**) Term: **15 Years**

(21) Appl. No.: **29/756,102**

(22) Filed: **Oct. 26, 2020**

(30) **Foreign Application Priority Data**

Apr. 27, 2020 (CN) 202030182131.2

(51) **LOC (13) Cl.** **15-99**

(52) **U.S. Cl.**
USPC **D15/199**

(58) **Field of Classification Search**
USPC D12/1, 308; D14/900-902; D15/199;
D21/398, 424, 456, 467, 493, 495,
D21/533-539, 578, 579, 585, 593, 594;
D32/21
CPC B25J 9/0003; B25J 11/008; B25J 5/007;
B25J 9/1697; G06F 19/3418; G05D
2201/0207; Y10S 901/01; Y10S 901/46
See application file for complete search history.

(56) **References Cited**

U.S. PATENT DOCUMENTS

D614,251 S * 4/2010 Chung D21/578
D635,603 S * 4/2011 Paz Rodriguez D15/199
D761,894 S * 7/2016 Ho D15/199
D828,279 S * 9/2018 Xiong D12/308
D837,854 S * 1/2019 Zhou D15/199
D843,498 S * 3/2019 Clerc D21/578
D855,094 S * 7/2019 Li D15/199

D877,994 S * 3/2020 Kim D32/21
D881,249 S * 4/2020 Kim D15/199
D881,961 S * 4/2020 Bergeron D15/199
D882,193 S * 4/2020 Bruneel D32/21
D884,766 S * 5/2020 Faoro D15/199
D911,406 S * 2/2021 Srivastava D15/199

(Continued)

FOREIGN PATENT DOCUMENTS

CN 306025857 9/2020

OTHER PUBLICATIONS

Notice of reasons for refusal of counterpart JP application No. 2020-023113 dated Mar. 10, 2021.

Primary Examiner — Michael C Stout

Assistant Examiner — Fitzgerald L Butac

(74) *Attorney, Agent, or Firm* — Knobbe, Martens, Olson & Bear, LLP

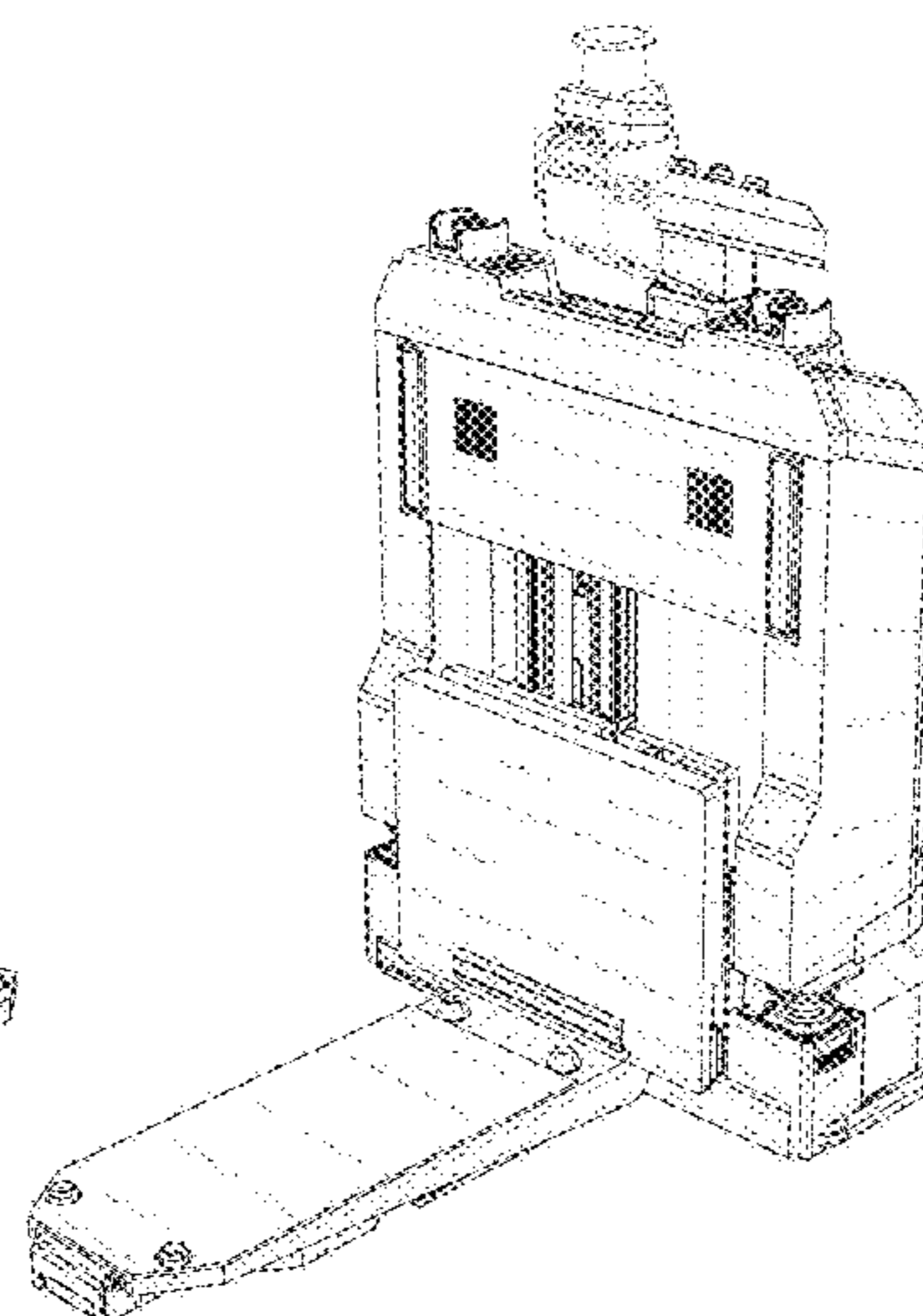
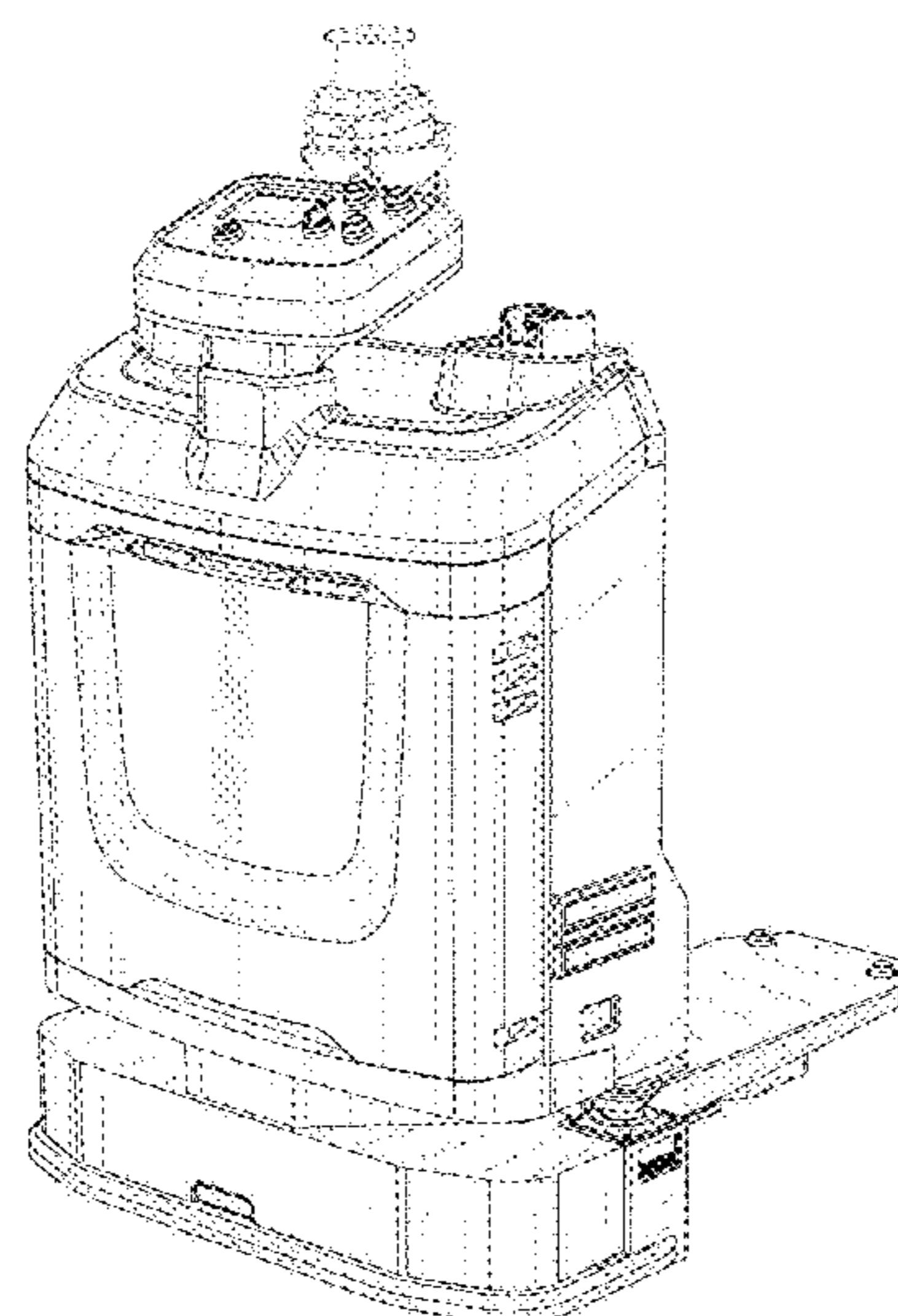
(57) **CLAIM**

The ornamental design for automatically guided vehicle, as shown and described.

DESCRIPTION

FIG. 1 is a front view of an automatically guided vehicle showing our new design;
FIG. 2 is a rear view thereof;
FIG. 3 is a left side view thereof;
FIG. 4 is a right side view thereof;
FIG. 5 is a top plan view thereof;
FIG. 6 is a bottom plan view thereof;
FIG. 7 is a first front perspective view hereof;
FIG. 8 is a second front perspective view thereof;
FIG. 9 is a first rear perspective view thereof; and,
FIG. 10 is a second rear perspective view thereof.
The broken lines in the views show portions of the automatically guided vehicle that form no part of the claimed design.

1 Claim, 10 Drawing Sheets



(56)

References Cited

U.S. PATENT DOCUMENTS

D919,686	S	*	5/2021	Makela	D15/199
D926,398	S	*	7/2021	Kim	D32/21
D929,479	S	*	8/2021	Gao	D15/199
D931,756	S	*	9/2021	Shih	D12/1
D932,368	S	*	10/2021	Shih	D12/1

* cited by examiner

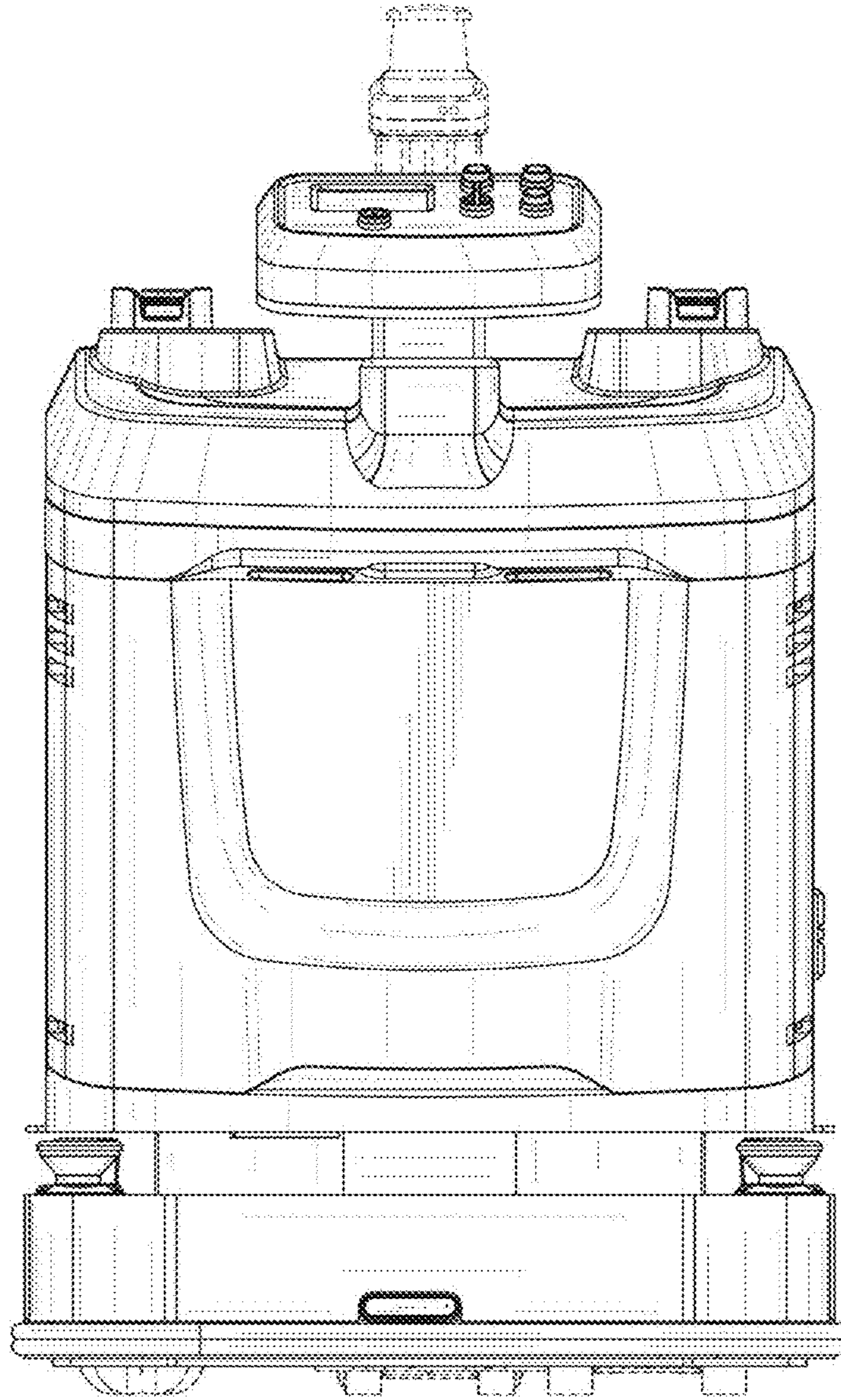


FIG.1

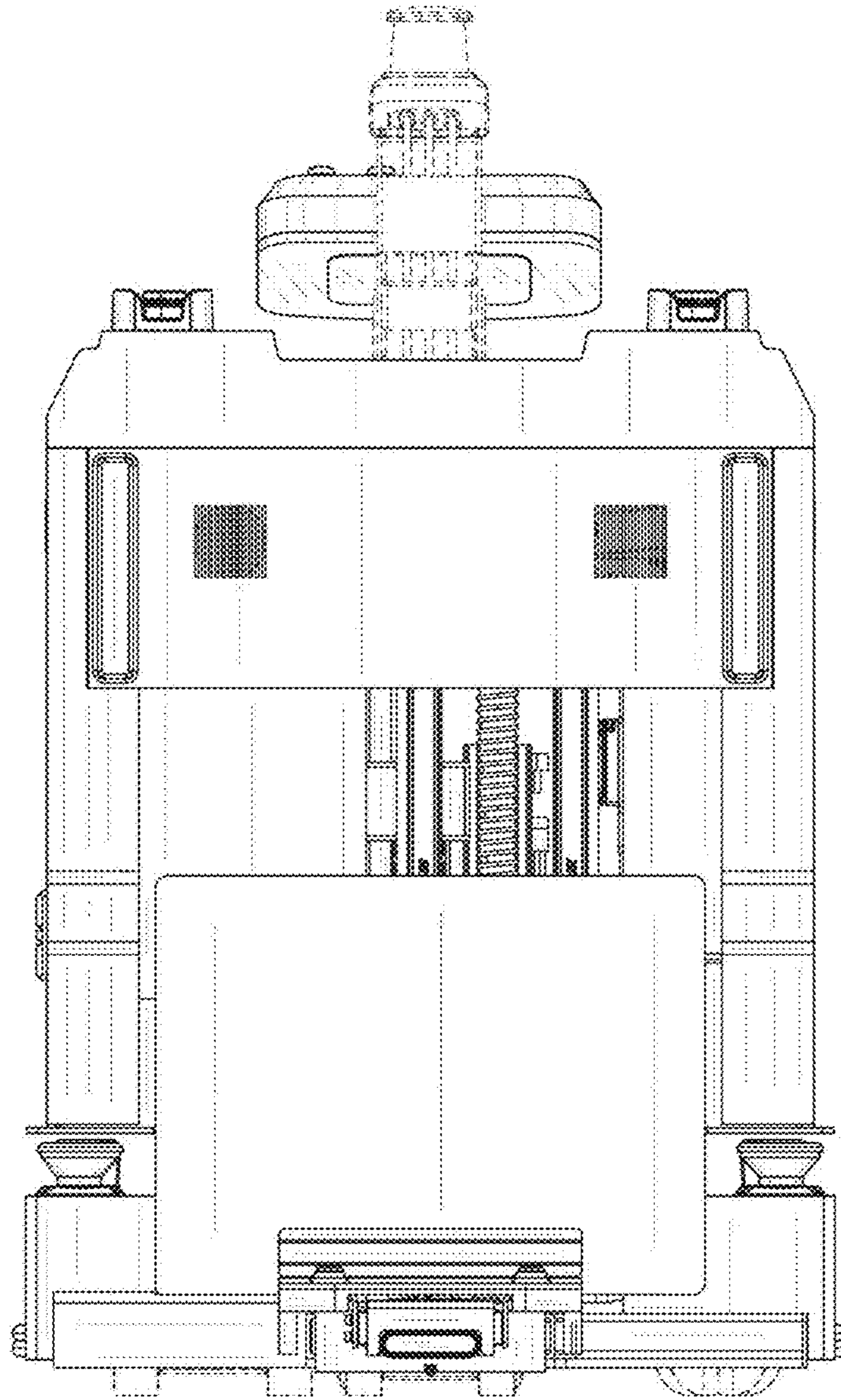


FIG.2

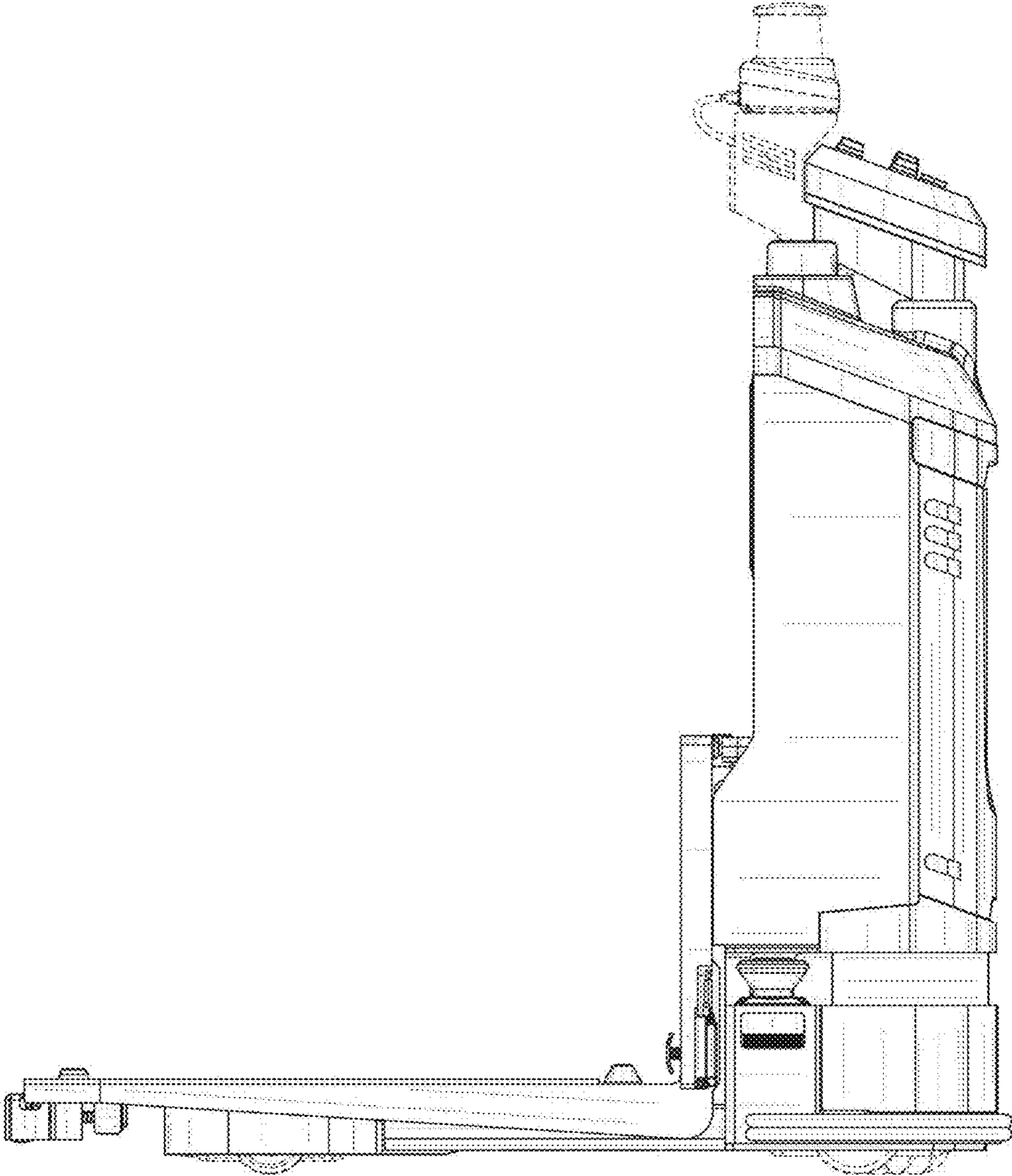


FIG.3

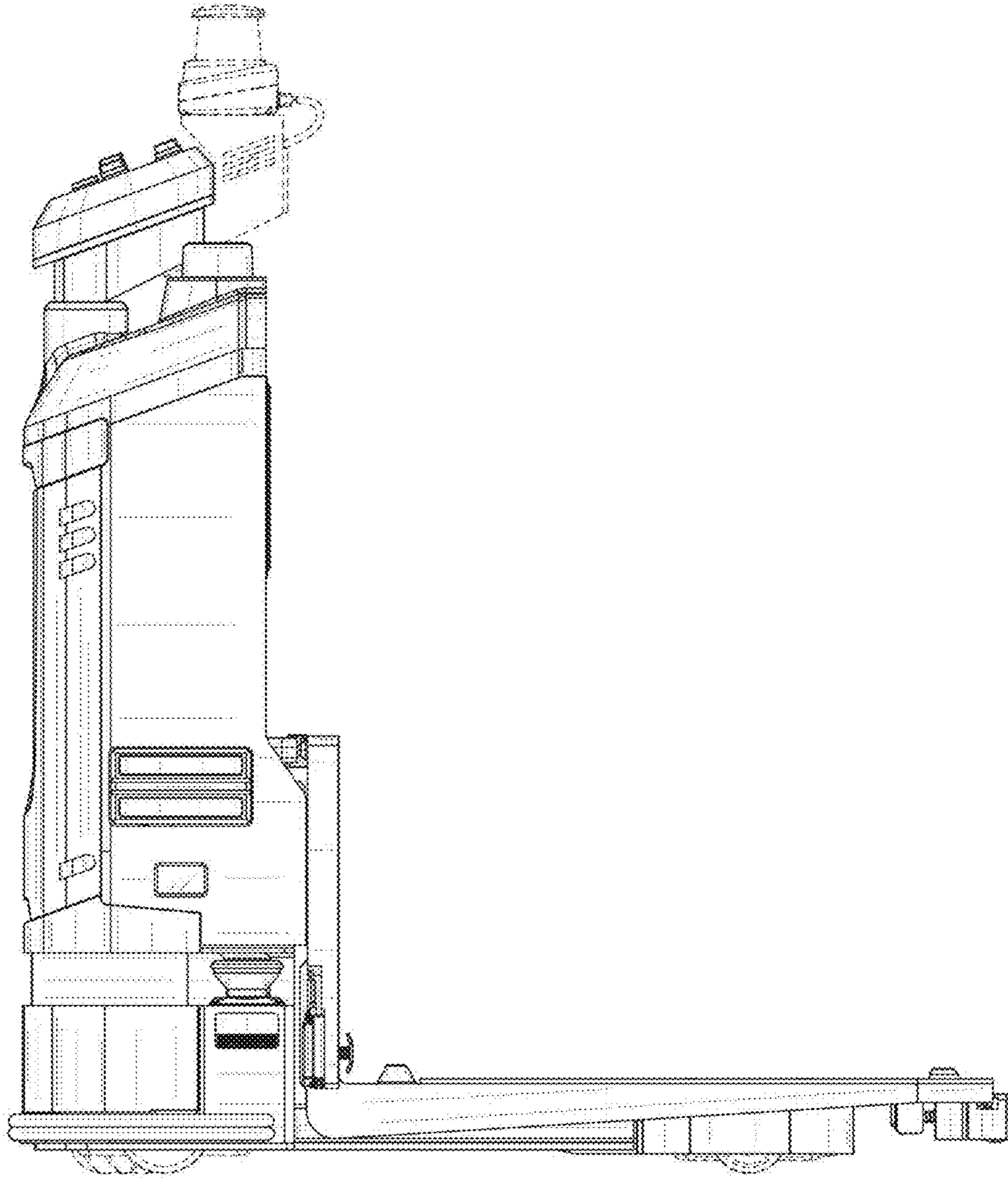


FIG.4

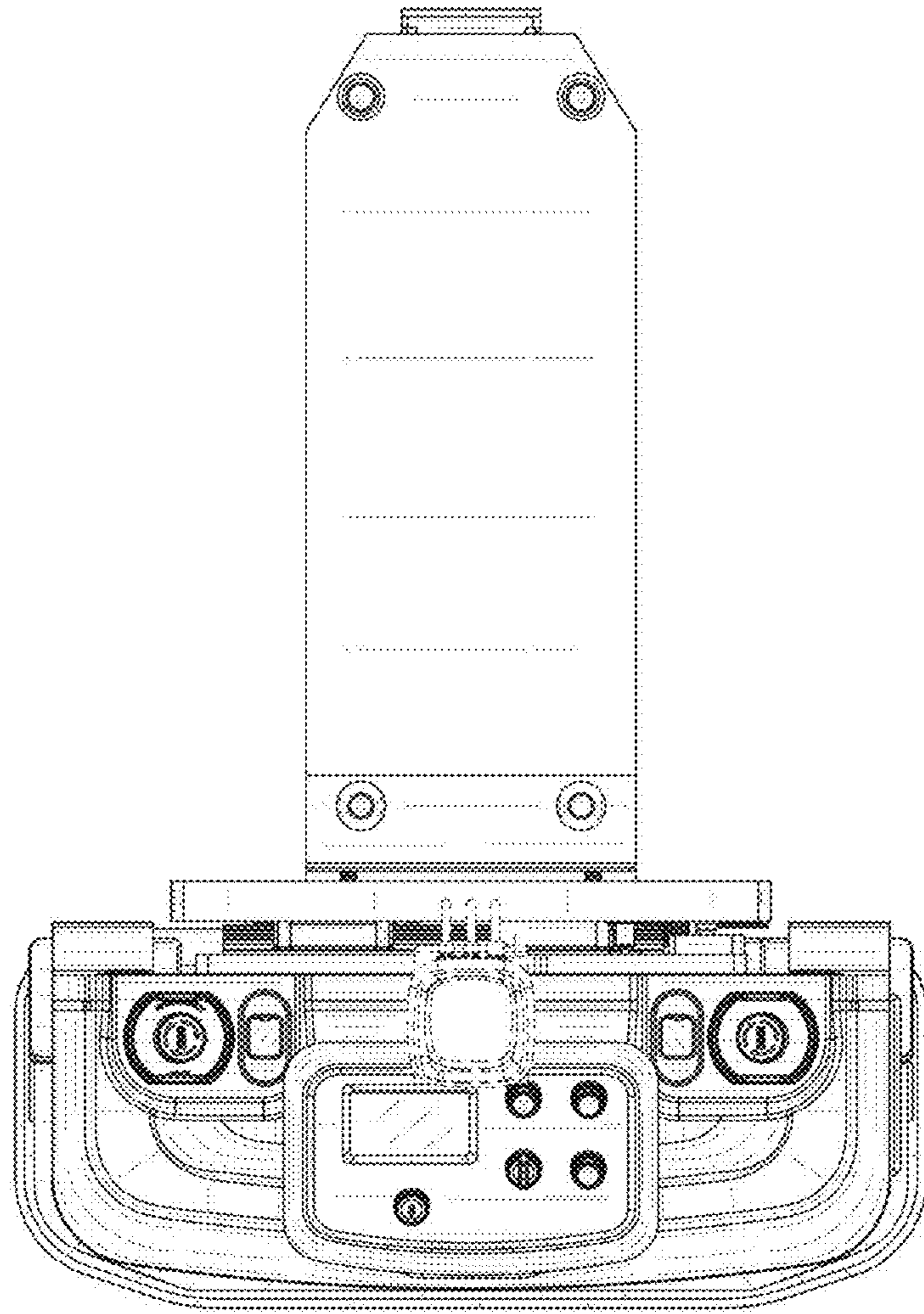


FIG.5

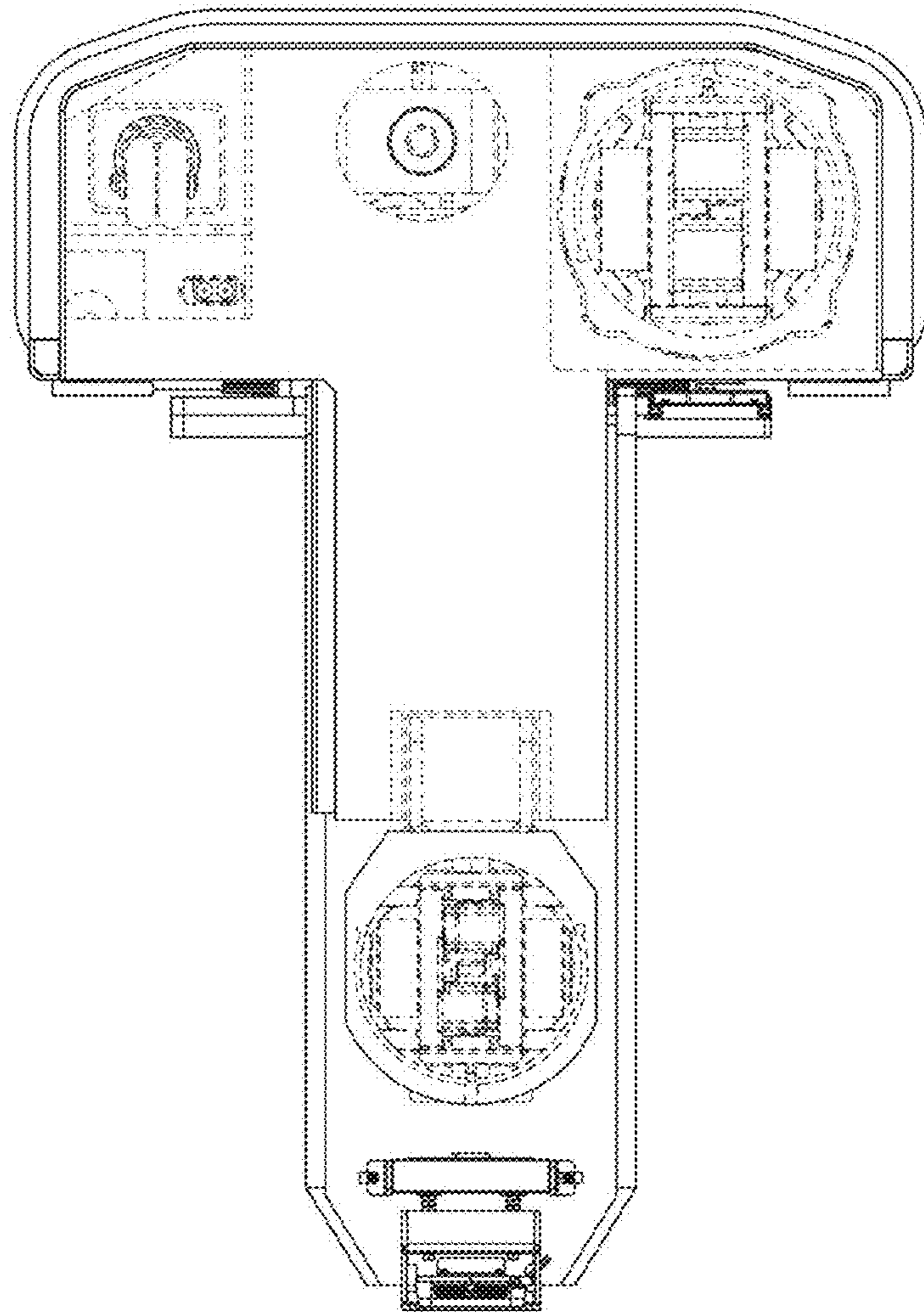


FIG.6

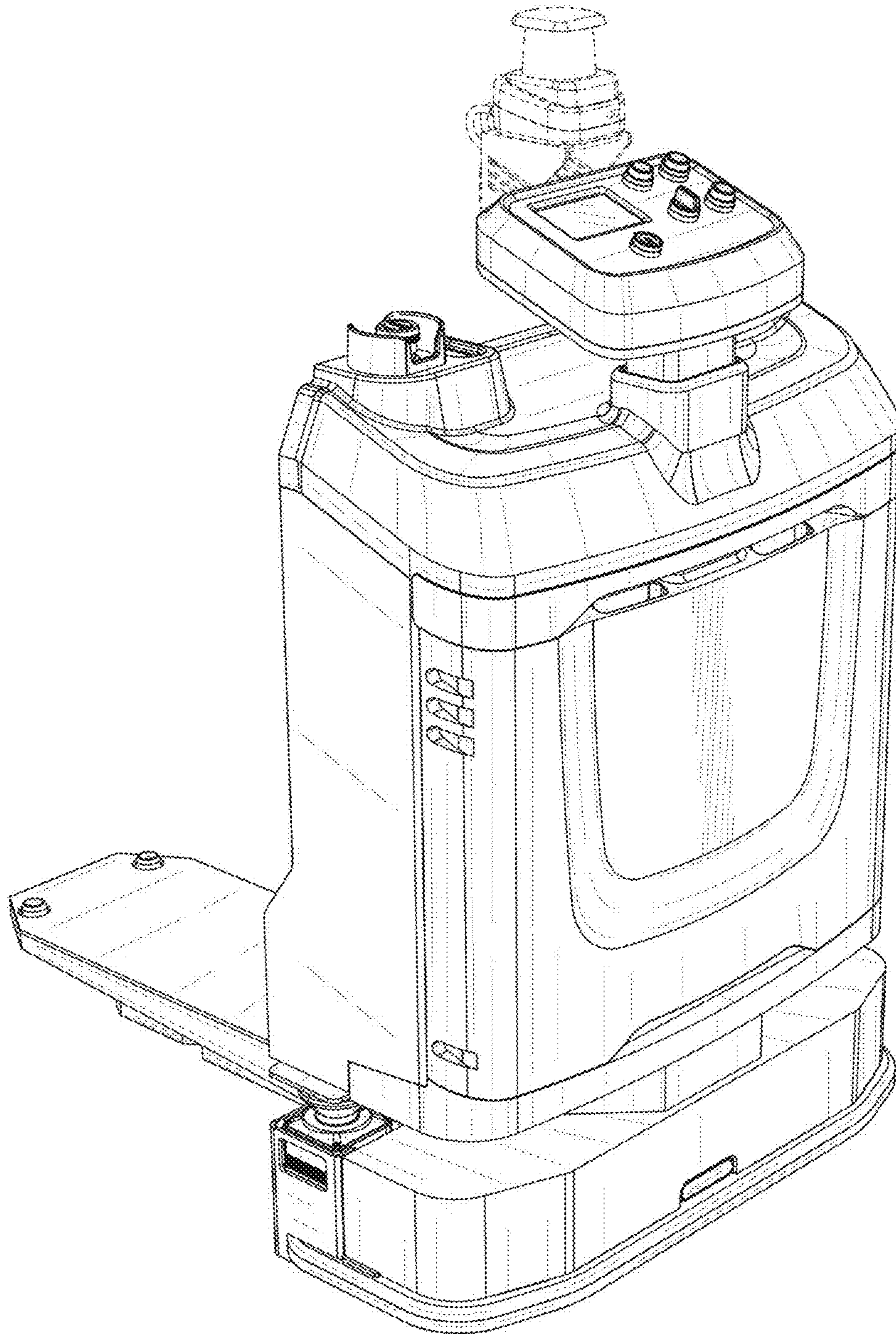


FIG.7

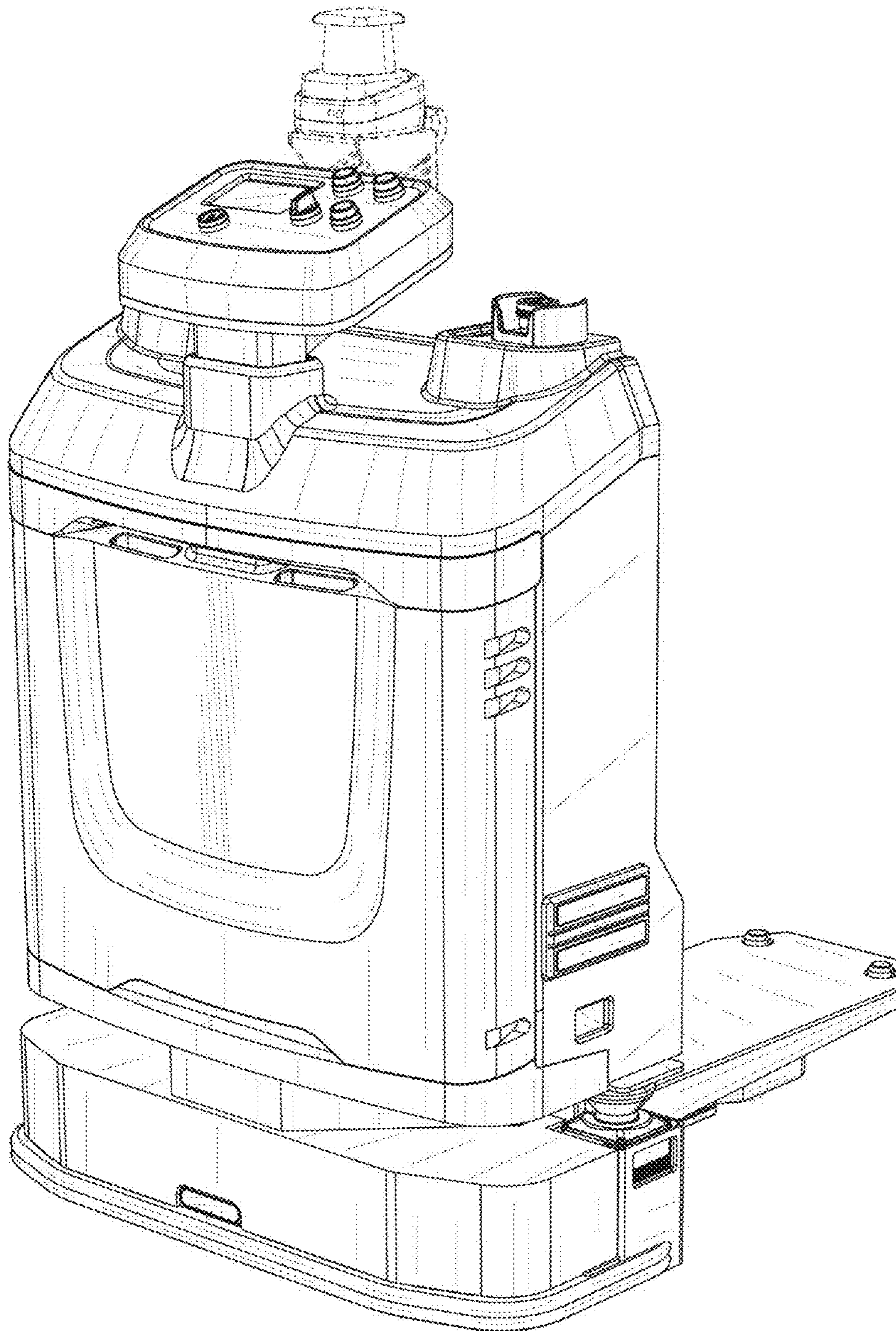


FIG.8

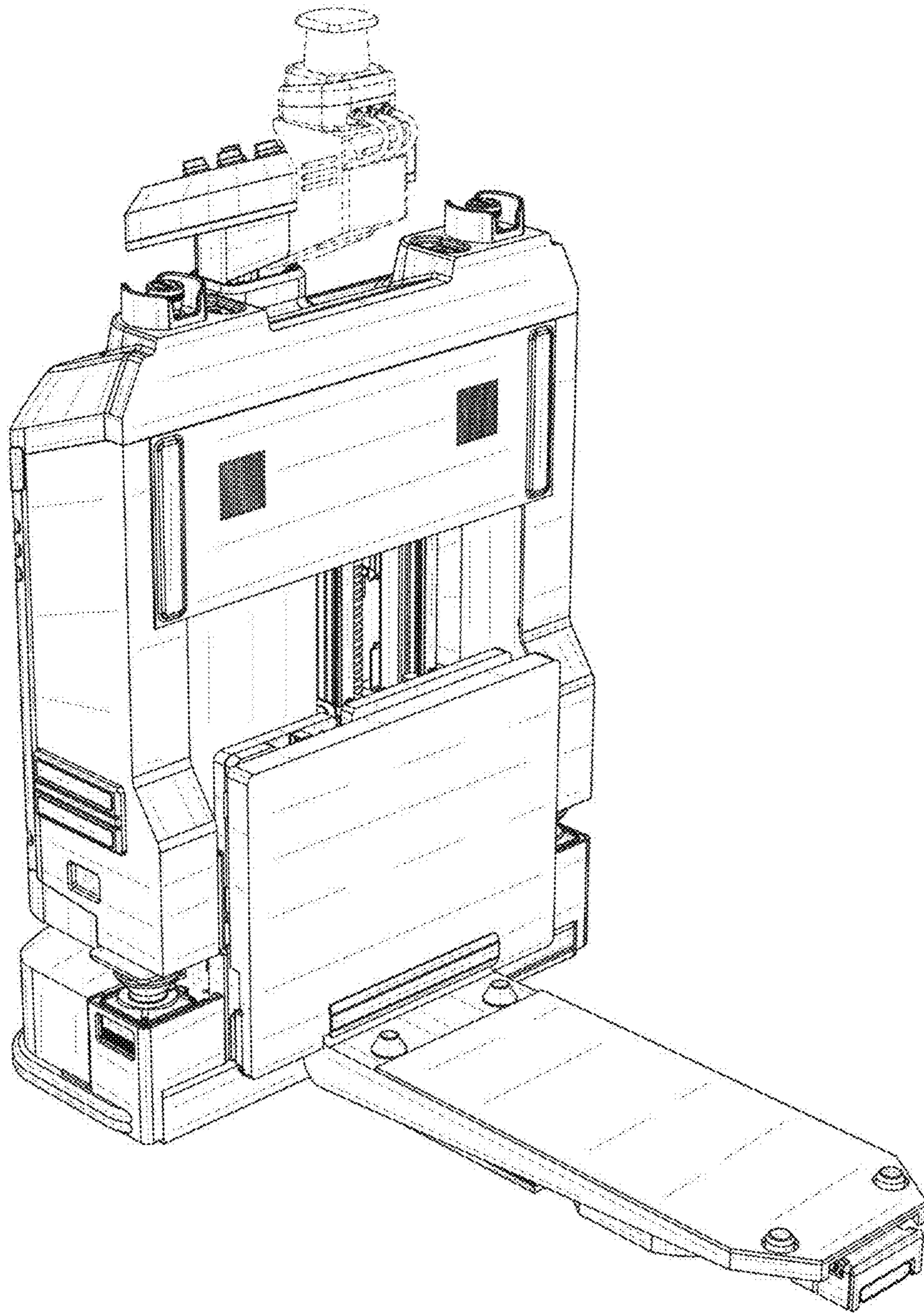


FIG.9

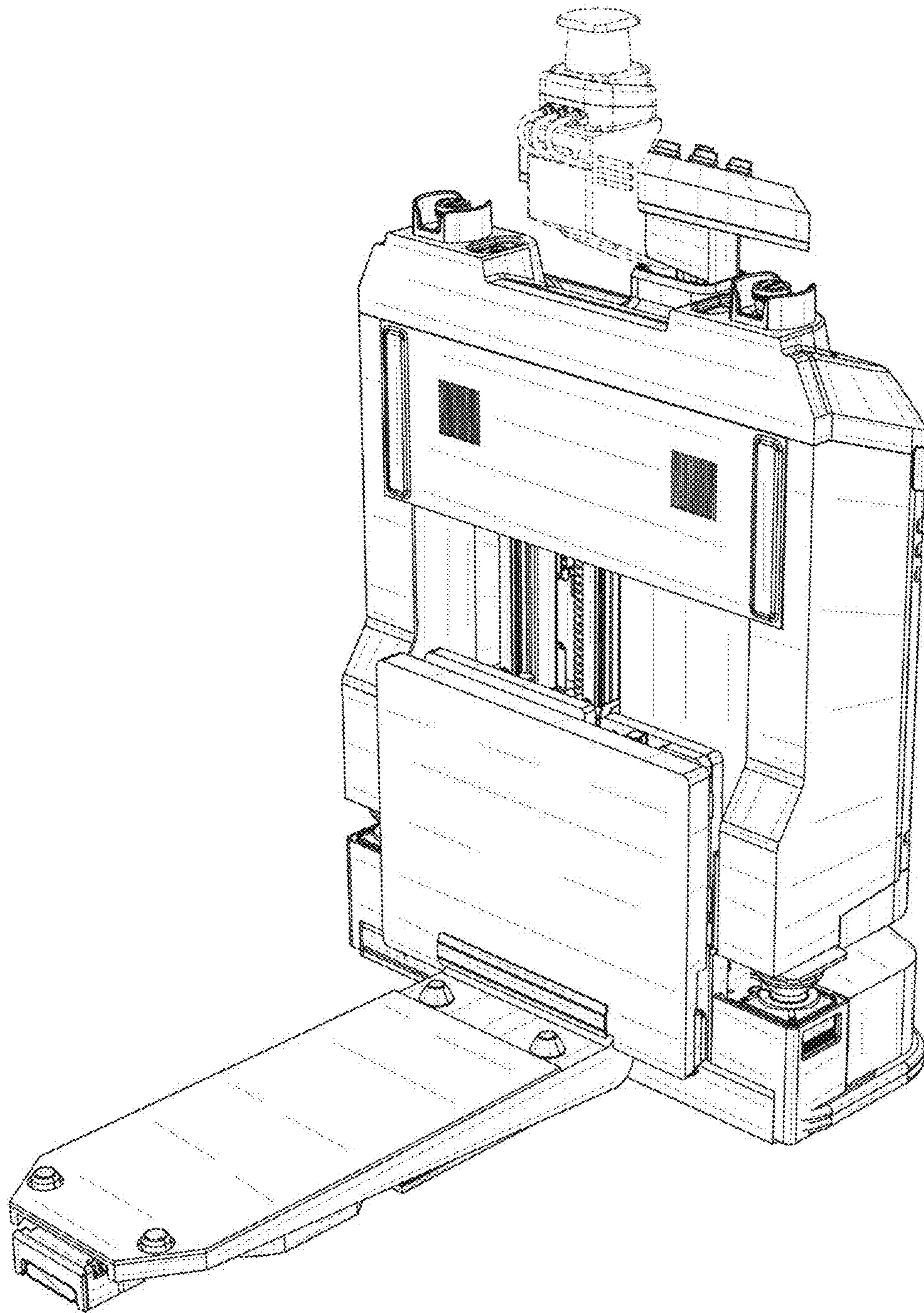


FIG.10