



US00D964442S

(12) **United States Design Patent**  
**More et al.**

(10) **Patent No.:** **US D964,442 S**

(45) **Date of Patent:** **\*\* Sep. 20, 2022**

(54) **WELDING MACHINE**

(71) Applicants: **Omkar More**, Lahti (FI); **Juho Huotari**, Lahti (FI)

(72) Inventors: **Omkar More**, Lahti (FI); **Juho Huotari**, Lahti (FI)

(73) Assignee: **Kemppi Oy**, Lahti (FI)

(\*\*) Term: **15 Years**

(21) Appl. No.: **29/725,758**

(22) Filed: **Feb. 27, 2020**

(51) **LOC (13) Cl.** ..... **15-09**

(52) **U.S. Cl.**  
USPC ..... **D15/144; D15/144.2**

(58) **Field of Classification Search**  
USPC ..... D13/107, 110, 123, 133; D8/29.1, 30;  
D15/7-9, 144, 144.1, 144.2  
CPC ..... B23K 9/00; B23K 10/00; B23K 10/02;  
B23K 28/02; B23K 9/10; B23K 9/06;  
B23K 9/32; B23K 37/0294  
See application file for complete search history.

(56) **References Cited**

**U.S. PATENT DOCUMENTS**

D500,331 S	*	12/2004	Crisler, III	.....	D15/144
D652,436 S	*	1/2012	Ostlund	.....	D15/144
D679,738 S	*	4/2013	Segala	.....	D15/144
D742,444 S	*	11/2015	Leach	.....	D15/144
D772,965 S	*	11/2016	Westlake	.....	D15/144

D821,464 S	*	6/2018	Lin	.....	D15/144
D824,439 S	*	7/2018	Ide	.....	D15/144
D860,276 S	*	9/2019	Lin	.....	D15/144
D862,545 S	*	10/2019	Lin	.....	D15/144
D868,125 S	*	11/2019	Shu	.....	D15/144

**FOREIGN PATENT DOCUMENTS**

CN	305028372	*	2/2019
CN	305453543	*	11/2019

\* cited by examiner

*Primary Examiner* — Calvin E Vansant

*Assistant Examiner* — Mark T. Philipps

(74) *Attorney, Agent, or Firm* — Thompson Hine LLP

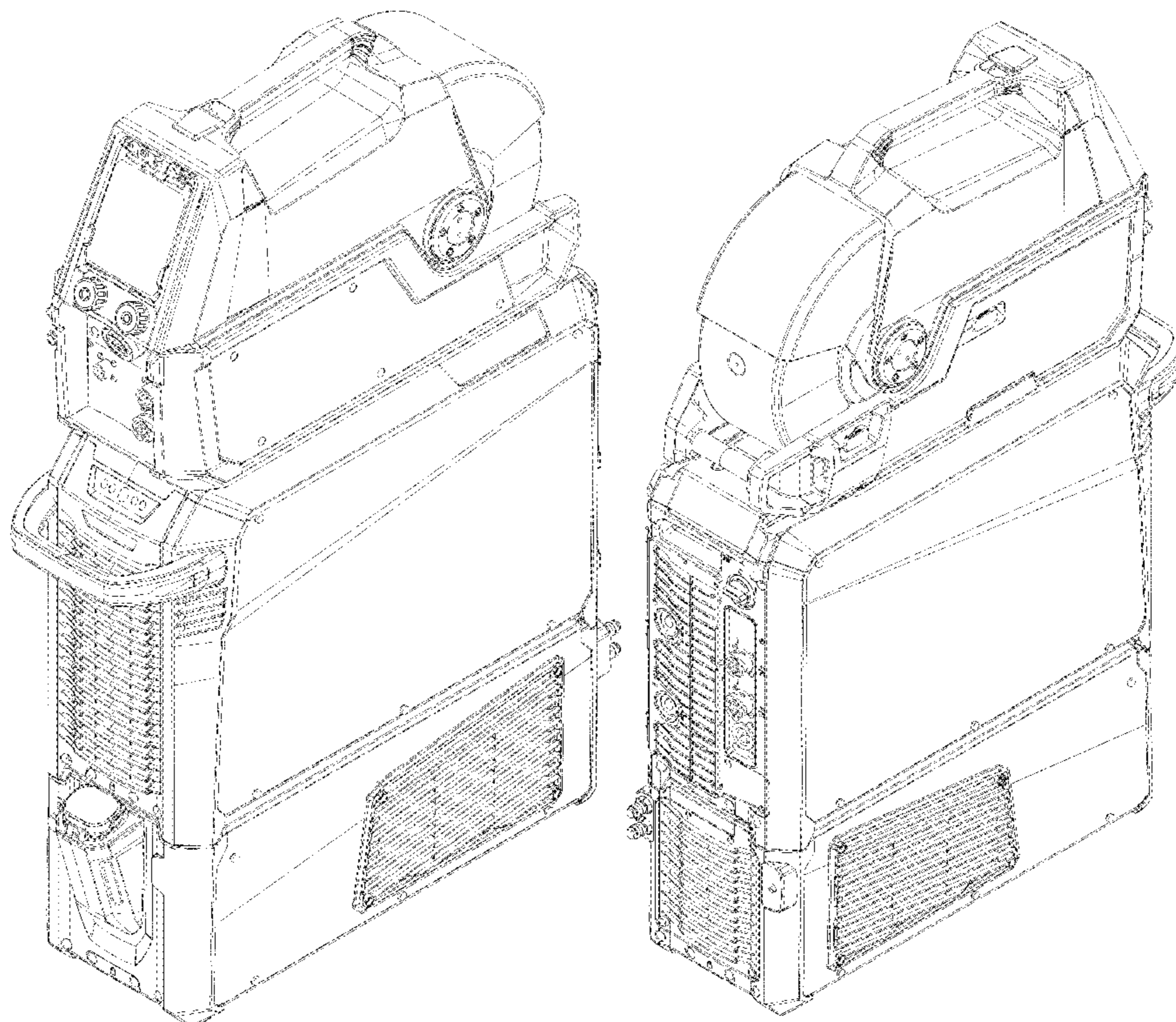
(57) **CLAIM**

The ornamental design for a welding machine, as shown and described.

**DESCRIPTION**

FIG. 1 is a bottom view of the design;  
FIG. 2 is a first side view of the design;  
FIG. 3 is a back view of the design;  
FIG. 4 is a second side view of the design;  
FIG. 5 is a front view of the design;  
FIG. 6 is a top view of the design;  
FIG. 7 is a first perspective view of the design;  
FIG. 8 is a second perspective view of the design;  
FIG. 9 is a third perspective view of the design; and,  
FIG. 10 is a fourth perspective view of the design.  
The broken lines depict portions of the welding machine and form no part of the claimed design.

**1 Claim, 10 Drawing Sheets**



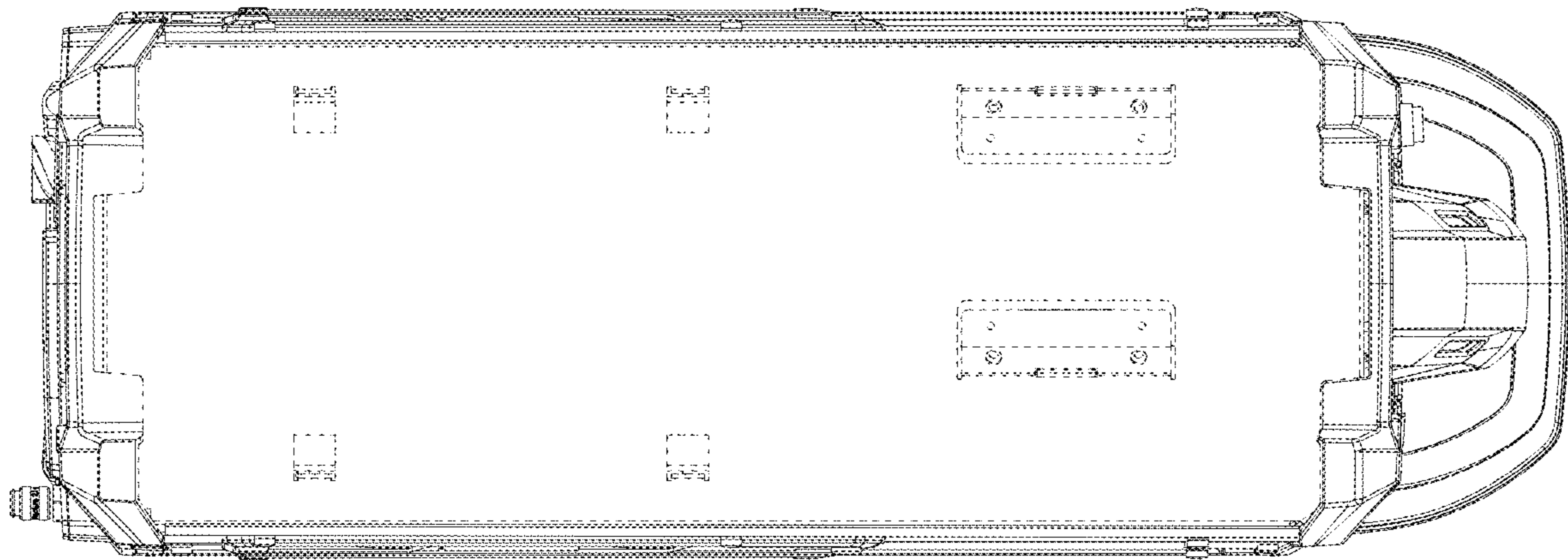


FIG. 1

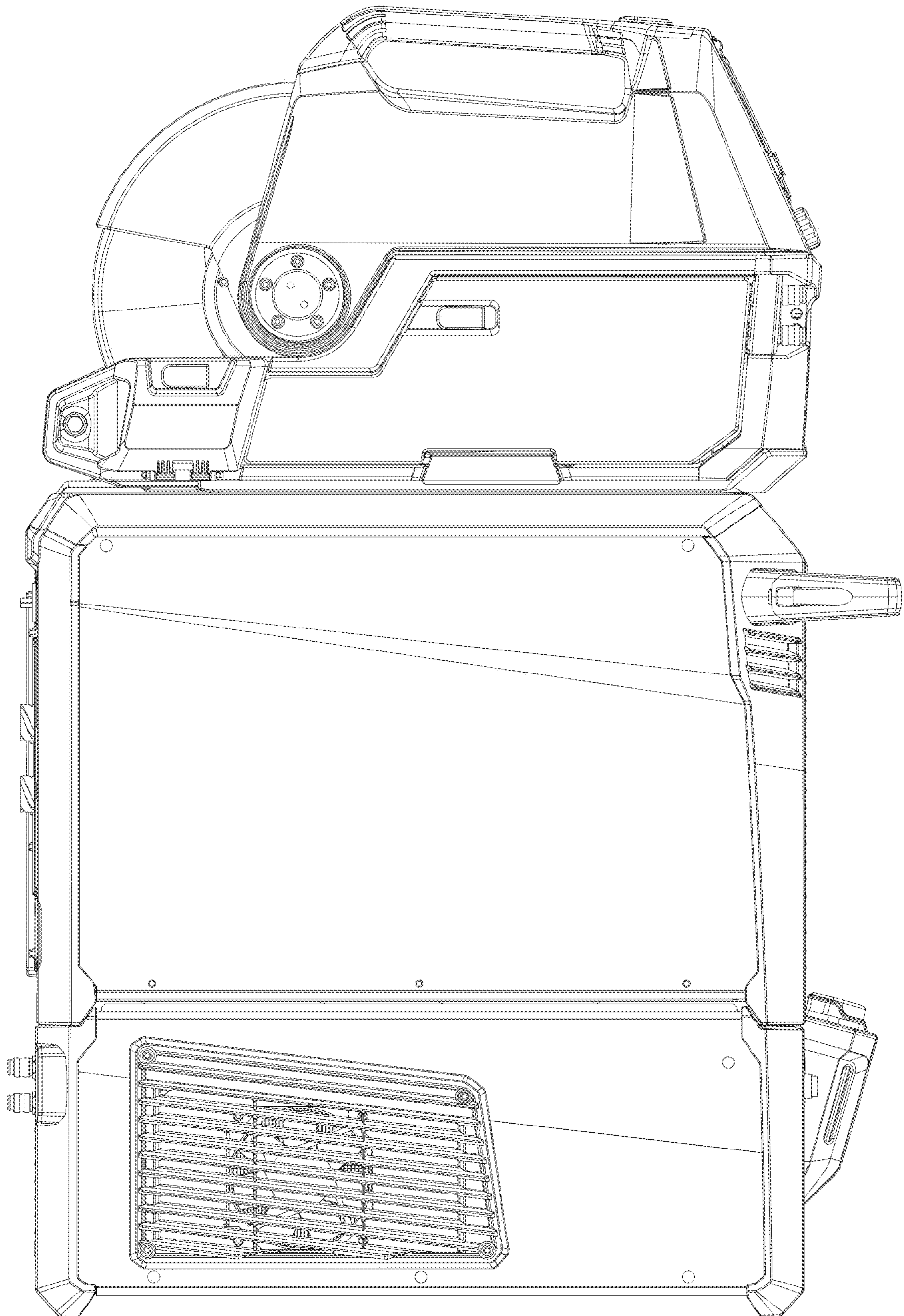


FIG. 2

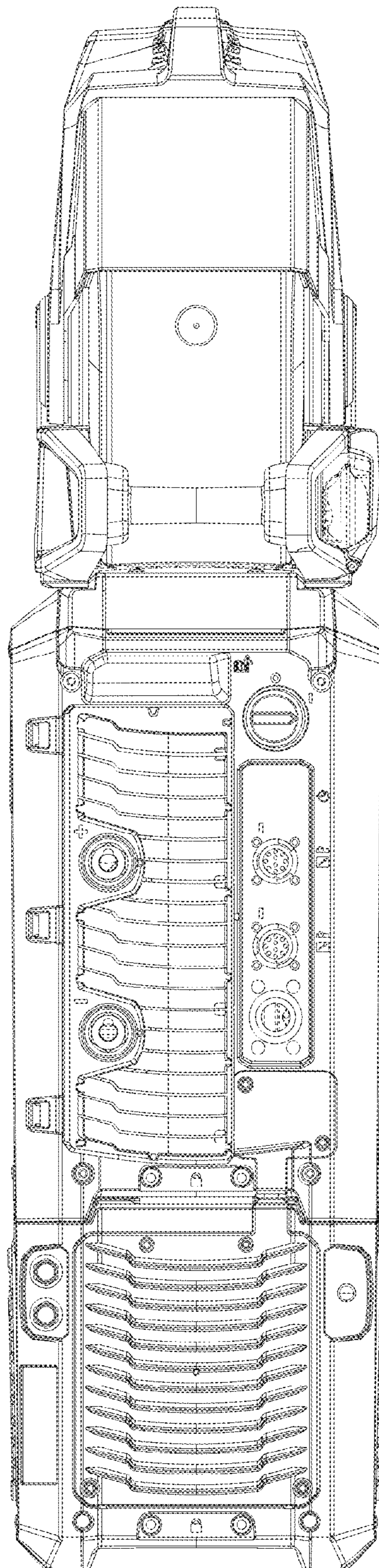


FIG. 3

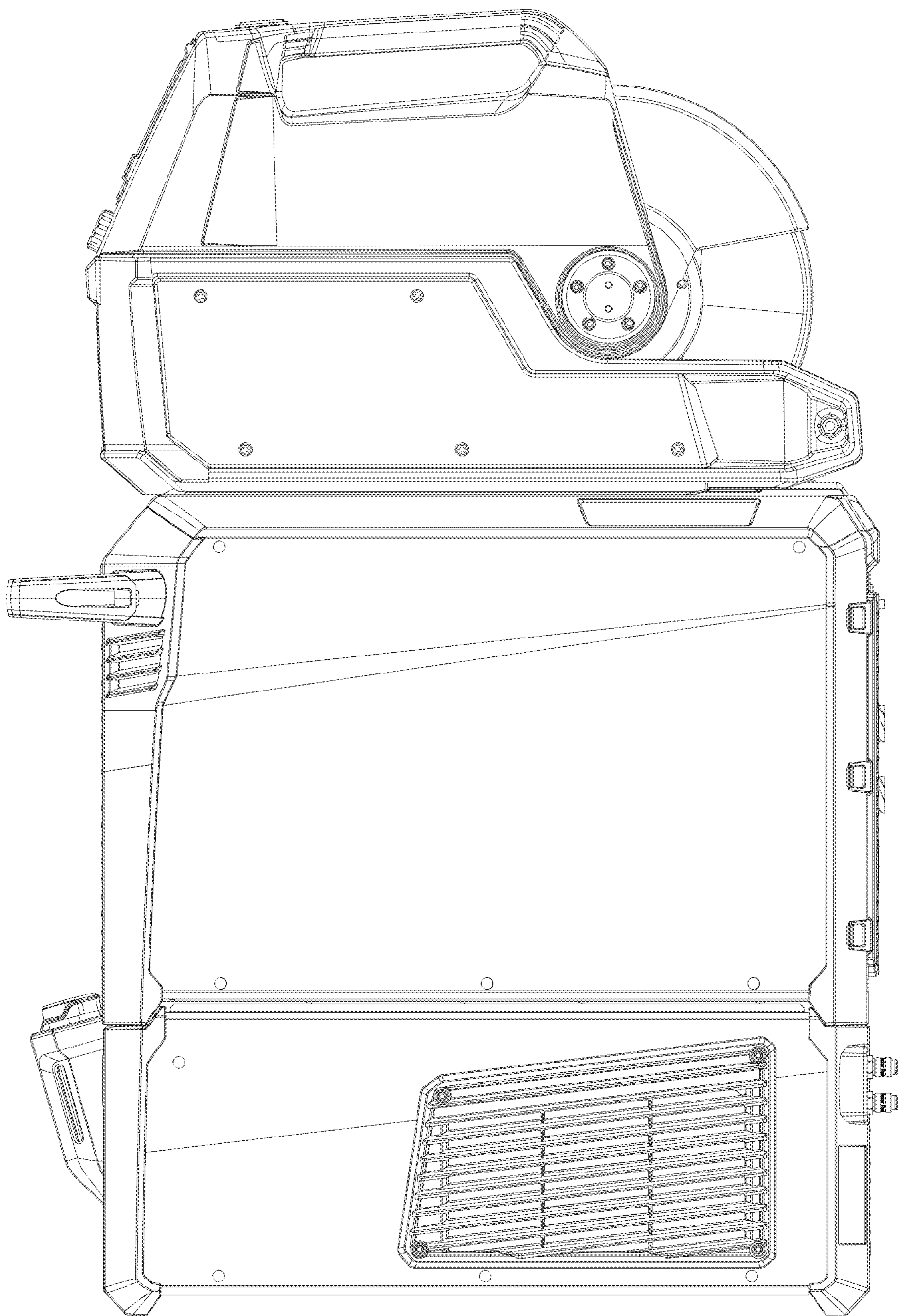


FIG. 4

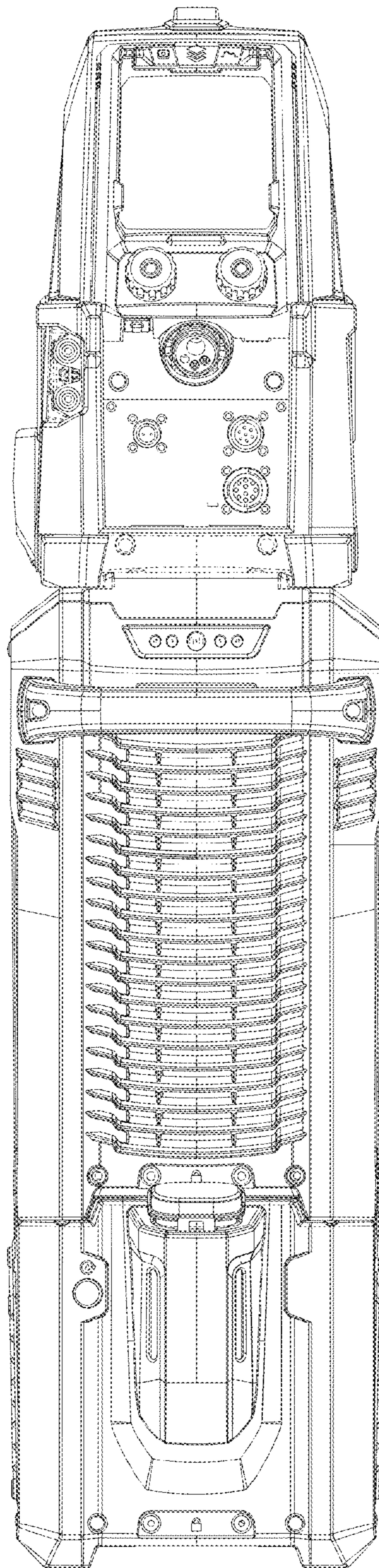


FIG. 5

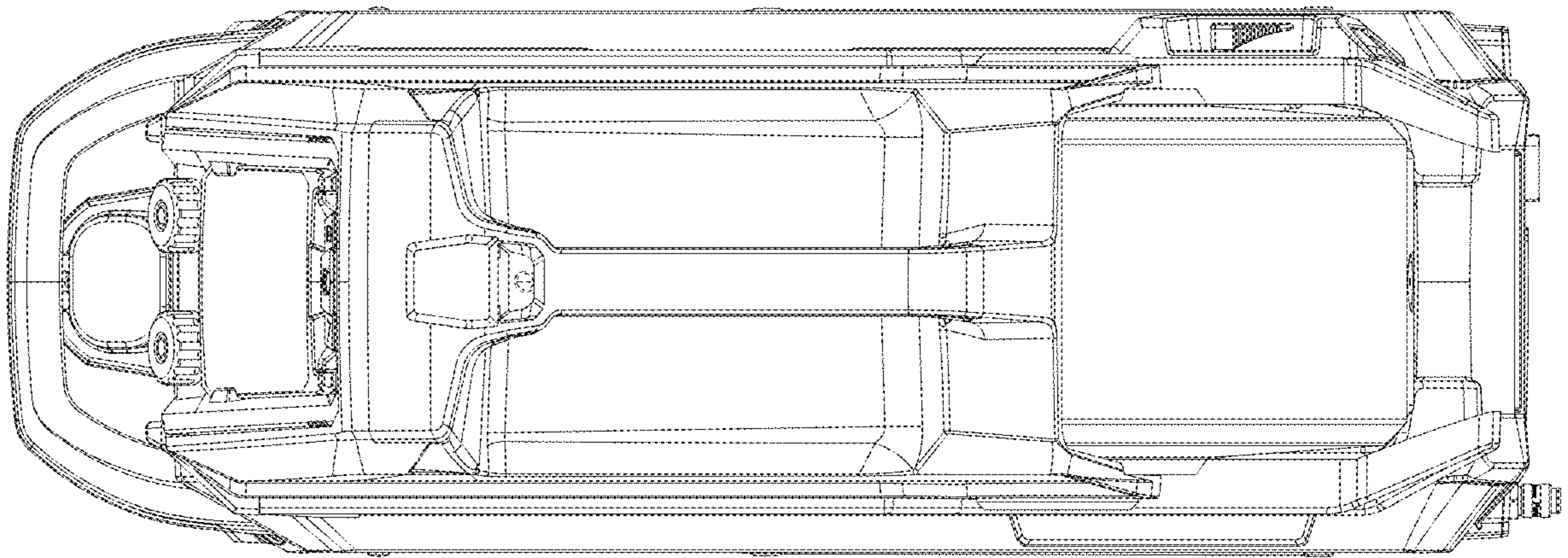


FIG. 6

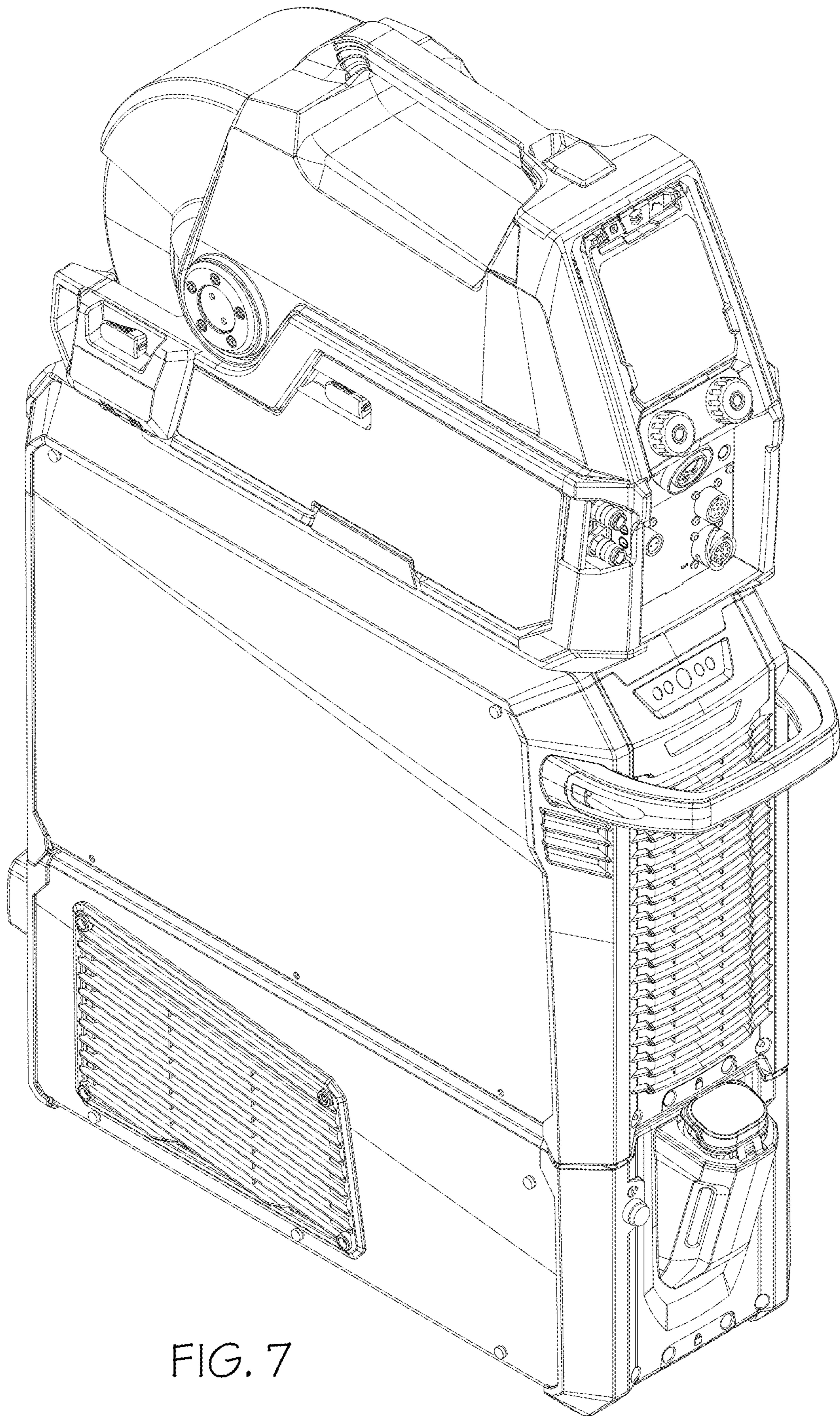


FIG. 7



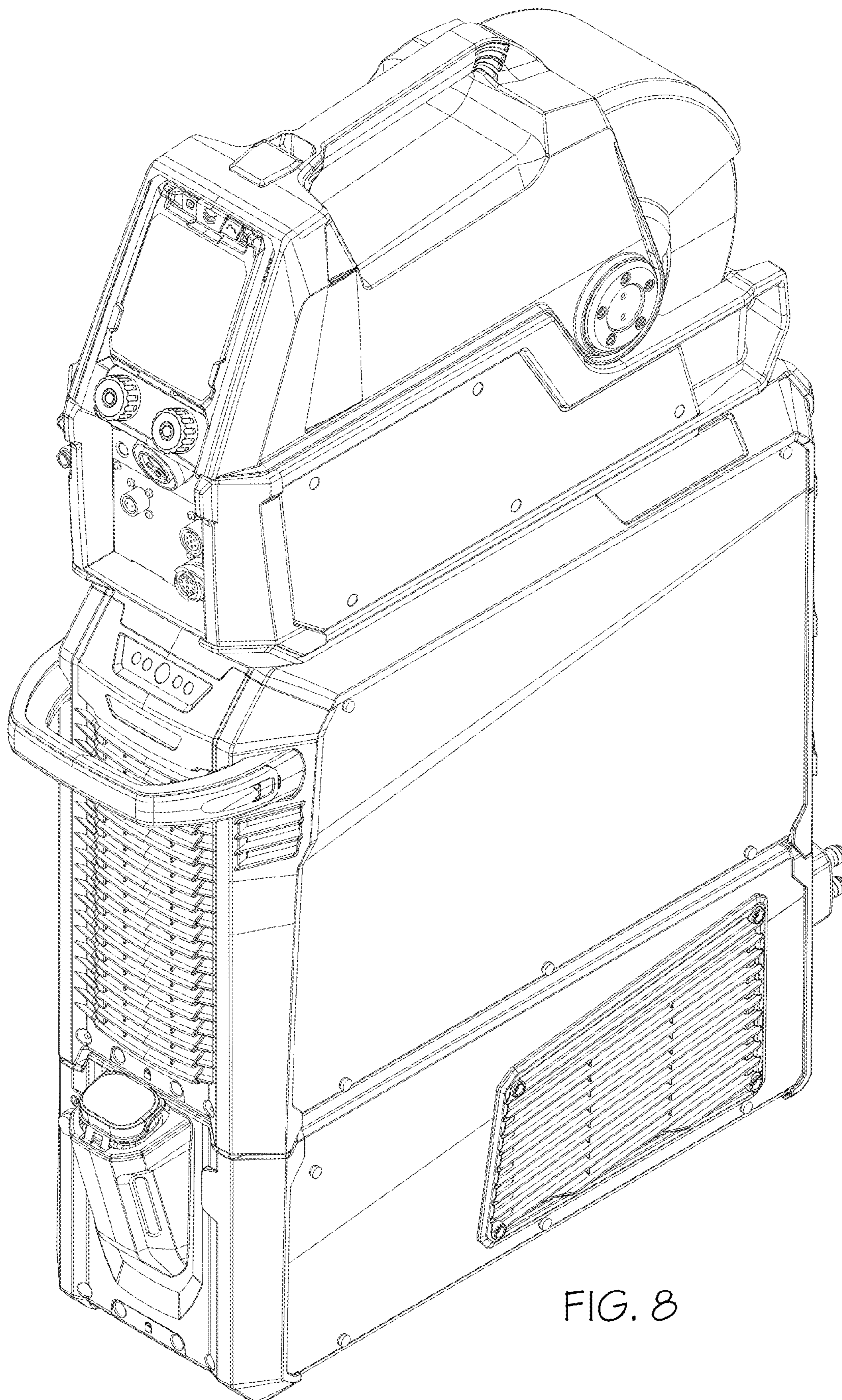


FIG. 8

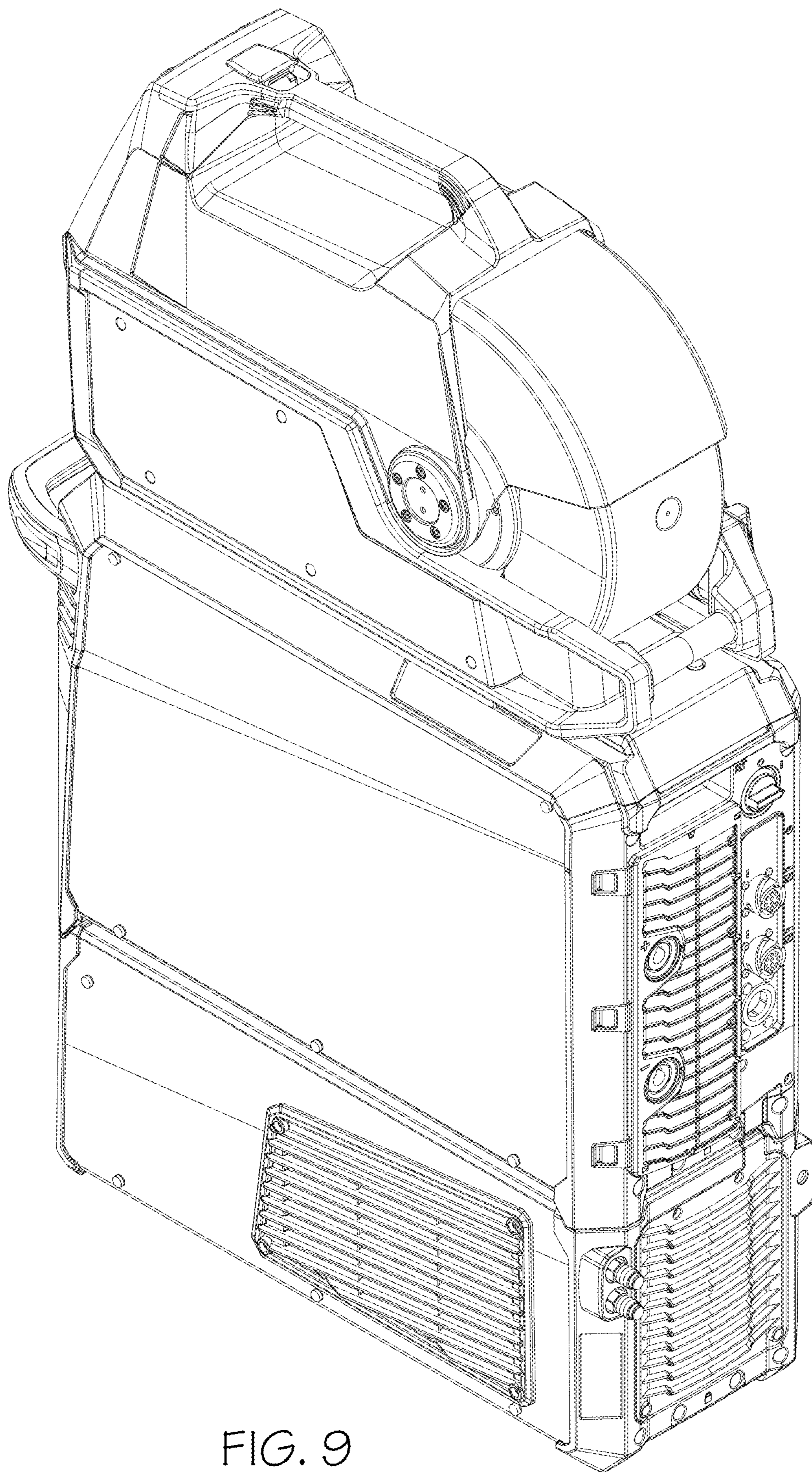


FIG. 9

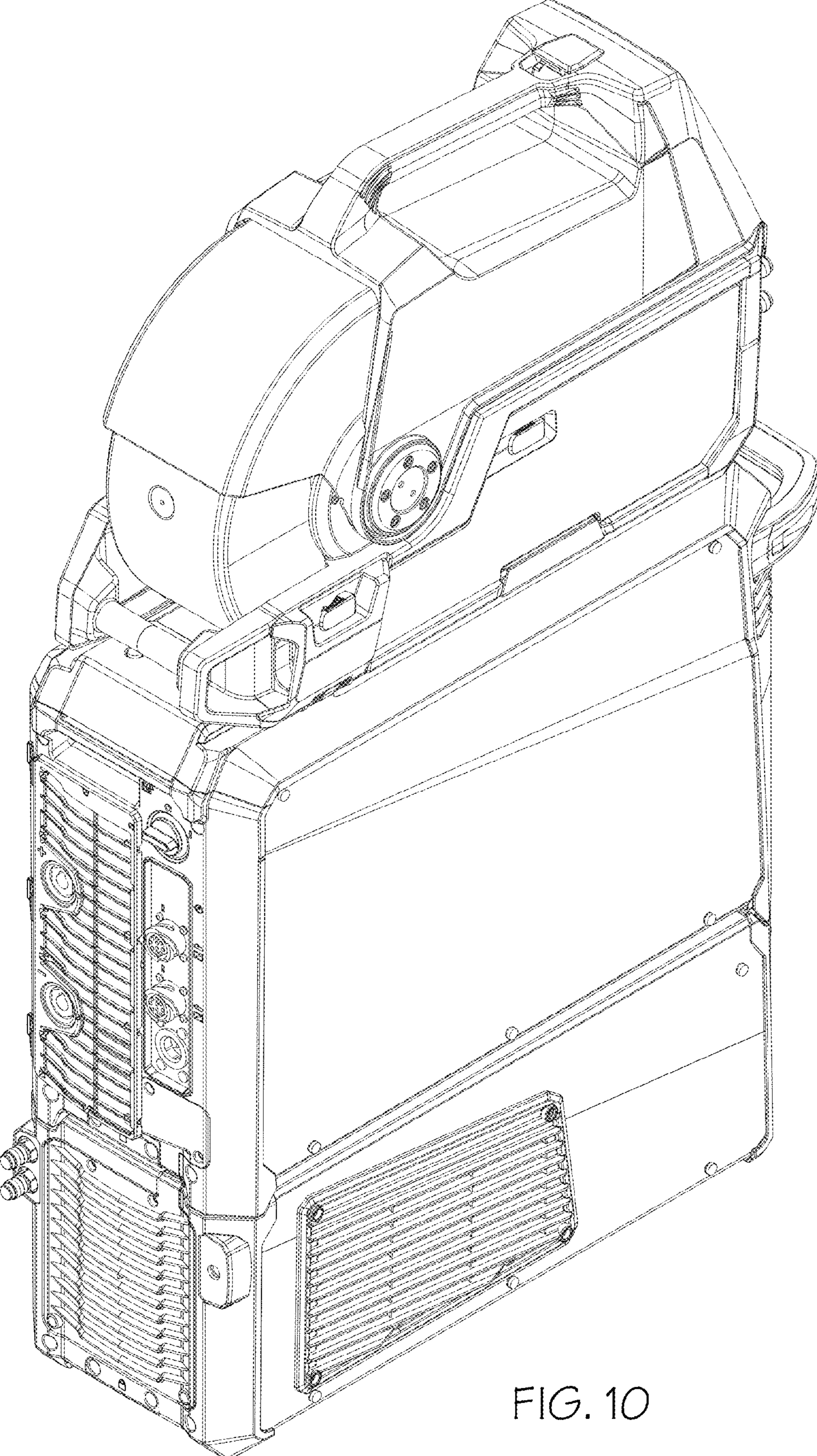


FIG. 10