



US00D964440S

(12) **United States Design Patent** (10) **Patent No.:** **US D964,440 S**  
**Harada et al.** (45) **Date of Patent:** **\*\* Sep. 20, 2022**

(54) **CUTTING TOOL**

(56) **References Cited**

(71) Applicant: **SUMITOMO ELECTRIC HARDMETAL CORP.**, Itami (JP)  
(72) Inventors: **Takashi Harada**, Itami (JP); **Naoki Watanobe**, Itami (JP); **Satoru Kukino**, Itami (JP); **Taisuke Higashi**, Itami (JP); **Rintaro Sugimoto**, Itami (JP)  
(73) Assignee: **SUMITOMO ELECTRIC HARDMETAL CORP.**, Itami (JP)  
(\*\*) Term: **15 Years**

U.S. PATENT DOCUMENTS

D774,573	S	*	12/2016	Sharivker	.....	D15/139
D792,489	S	*	7/2017	Sharivker	.....	D15/139
D793,460	S	*	8/2017	Sharivker	.....	D15/139
D796,563	S	*	9/2017	Sharivker	.....	D15/139
D797,170	S	*	9/2017	Sharivker	.....	D15/139
9,878,379	B2	*	1/2018	Davis	.....	B23C 5/10
D819,098	S	*	5/2018	Buhr	.....	E21C 35/18
						D15/139
D823,089	S	*	7/2018	Shikama	.....	D8/70
D844,684	S	*	4/2019	Ojanen	.....	D15/139
D877,218	S	*	3/2020	Wu	.....	D15/139
D878,437	S	*	3/2020	Bono	.....	D15/139

(Continued)

*Primary Examiner* — Patricia A Palasik

(74) *Attorney, Agent, or Firm* — Faegre Drinker Biddle & Reath LLP

(21) Appl. No.: **29/759,612**

(22) Filed: **Nov. 24, 2020**

(30) **Foreign Application Priority Data**

May 26, 2020	(JP)	.....	2020-010278	D
May 26, 2020	(JP)	.....	2020-010279	D
May 26, 2020	(JP)	.....	2020-010280	D
May 26, 2020	(JP)	.....	2020-010281	D
May 26, 2020	(JP)	.....	2020-010282	D
May 26, 2020	(JP)	.....	2020-010283	D

(51) **LOC (13) Cl.** ..... **15-09**

(52) **U.S. Cl.**  
USPC ..... **D15/139**

(58) **Field of Classification Search**  
USPC ..... D8/20, 70; D15/126, 131, 138, 139, 140  
CPC ..... B23B 27/145; B23B 27/1622; B23B 2200/048; B23B 2200/204; B23B 2200/085; B23B 2200/0416; B23B 2200/0423; B23B 2200/0477; B23B 2200/0494; B23C 5/205; B23C 5/207

See application file for complete search history.

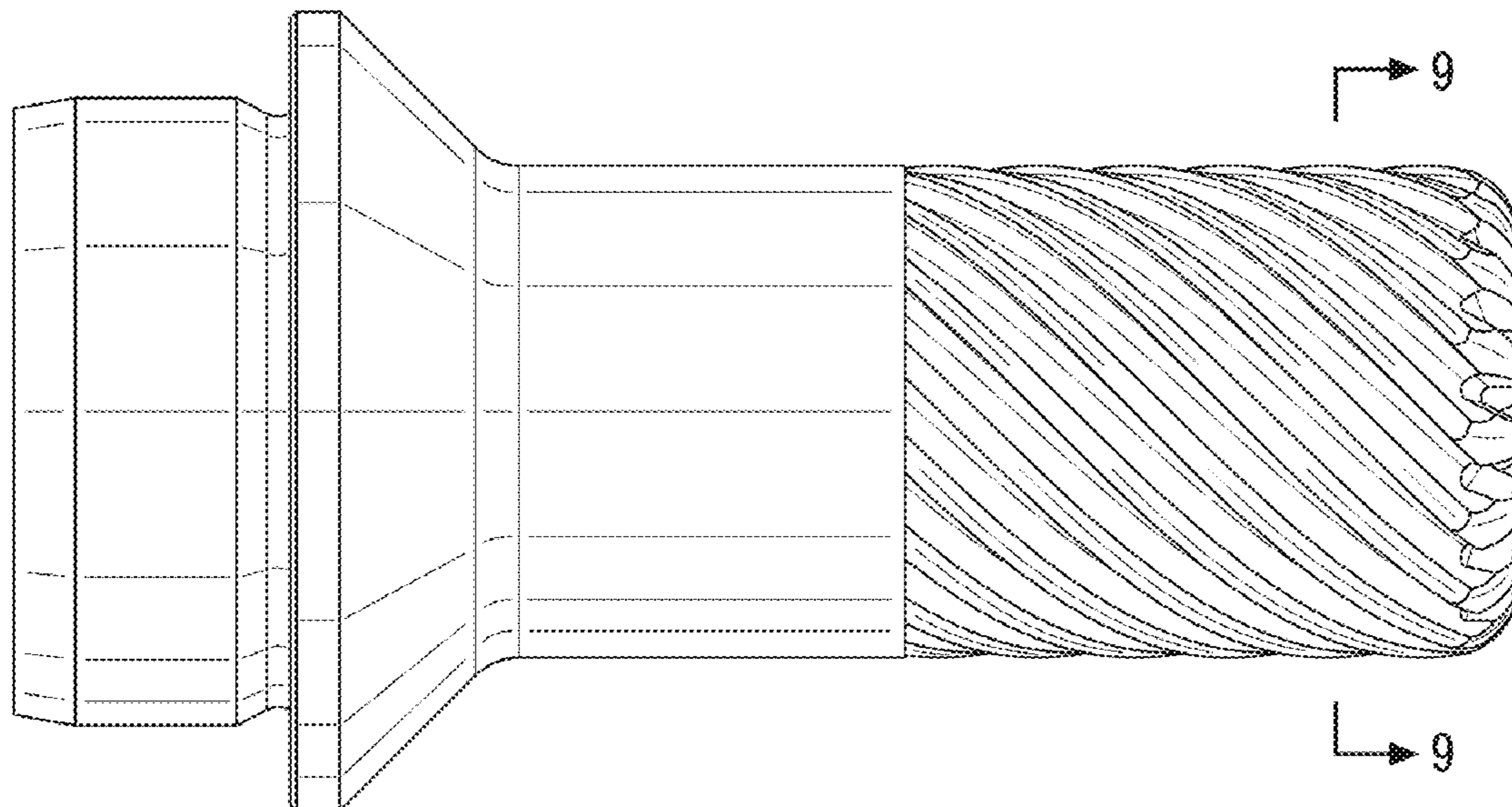
(57) **CLAIM**

The ornamental design for a cutting tool, as shown and described.

**DESCRIPTION**

FIG. 1 is a front view of a cutting tool of the present design; FIG. 2 is a rear view thereof; FIG. 3 is a right side view thereof; FIG. 4 is a left side view thereof; FIG. 5 is a top view thereof; FIG. 6 is a bottom view thereof; FIG. 7 is a first perspective view thereof; FIG. 8 is a second perspective view thereof; FIG. 9 is a cross sectional view taken along line 9-9 of FIG. 1; FIG. 10 is a cross sectional view taken along line 10-10 of FIG. 4; and, FIG. 11 is a referential view showing the state in use thereof. The broken lines shown in the drawings represent portions of the cutting tool that form no part of the claimed design.

**1 Claim, 6 Drawing Sheets**



(56)

**References Cited**

U.S. PATENT DOCUMENTS

D878,438 S *	3/2020	Bono .....	D15/139
10,682,712 B2 *	6/2020	Sharivker .....	B21H 3/10
D900,893 S *	11/2020	English .....	D15/139
2010/0215447 A1 *	8/2010	Davis .....	B23C 5/10 407/115

\* cited by examiner

FIG. 1

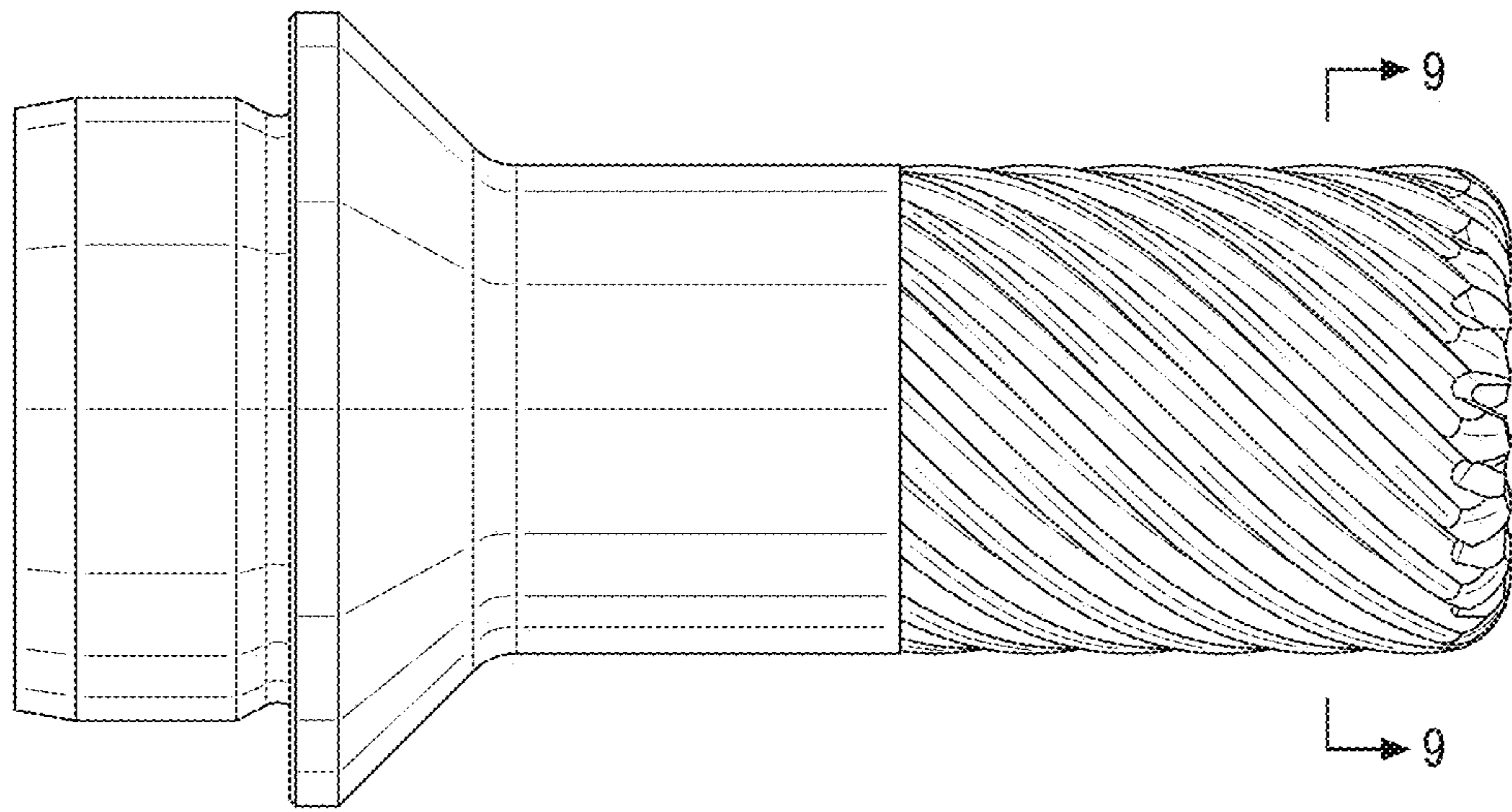


FIG. 2

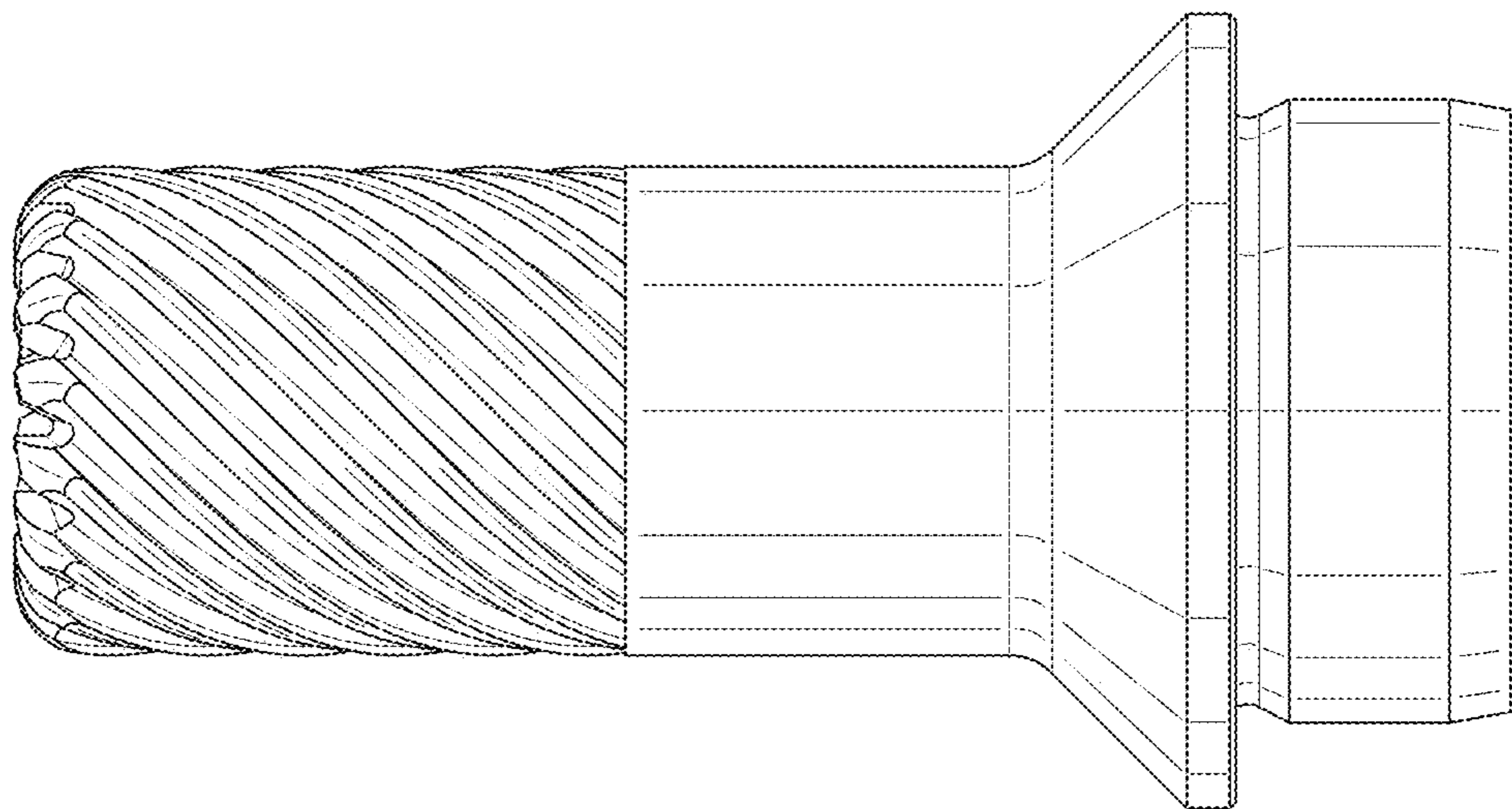


FIG.3

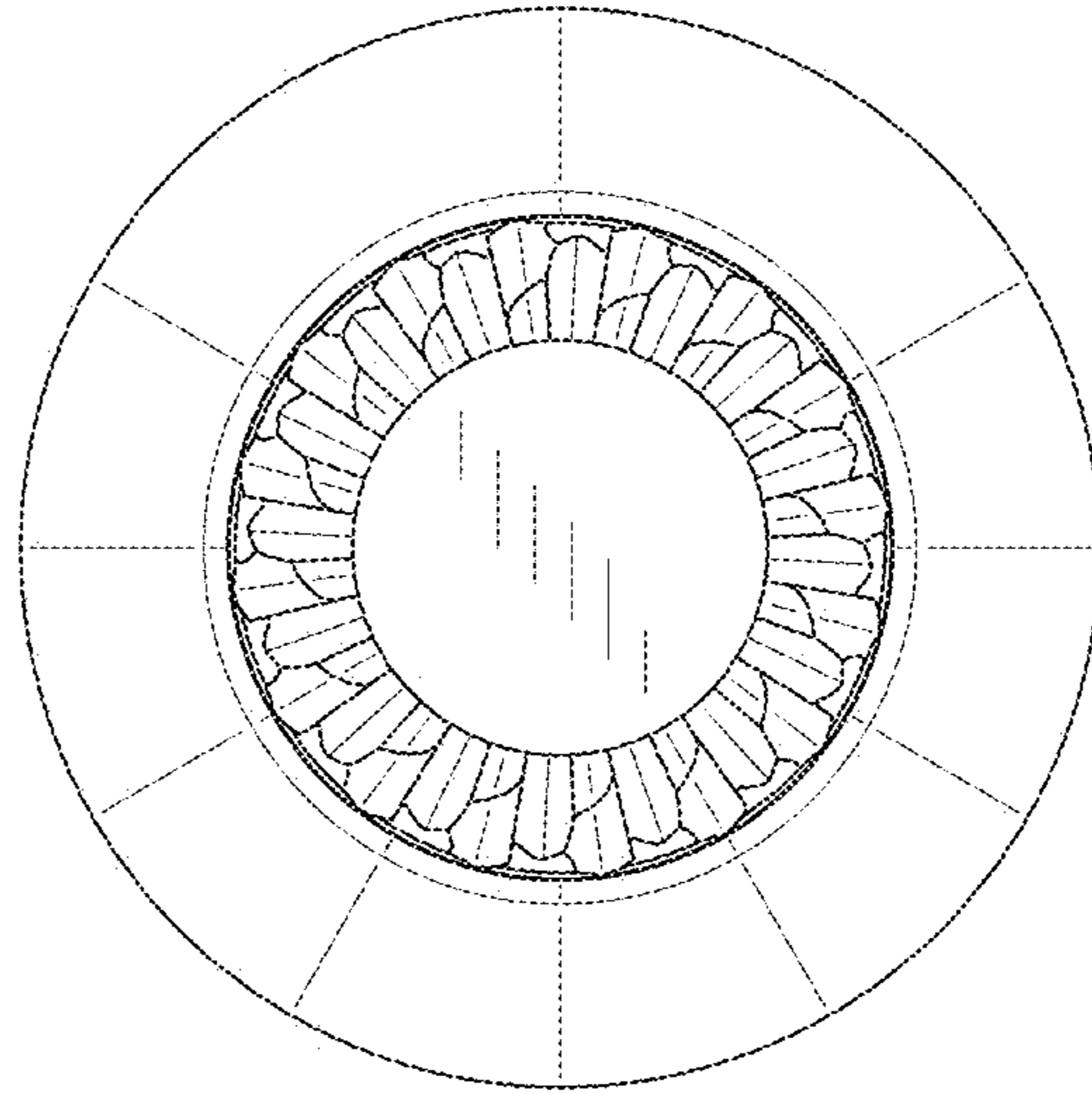


FIG.4

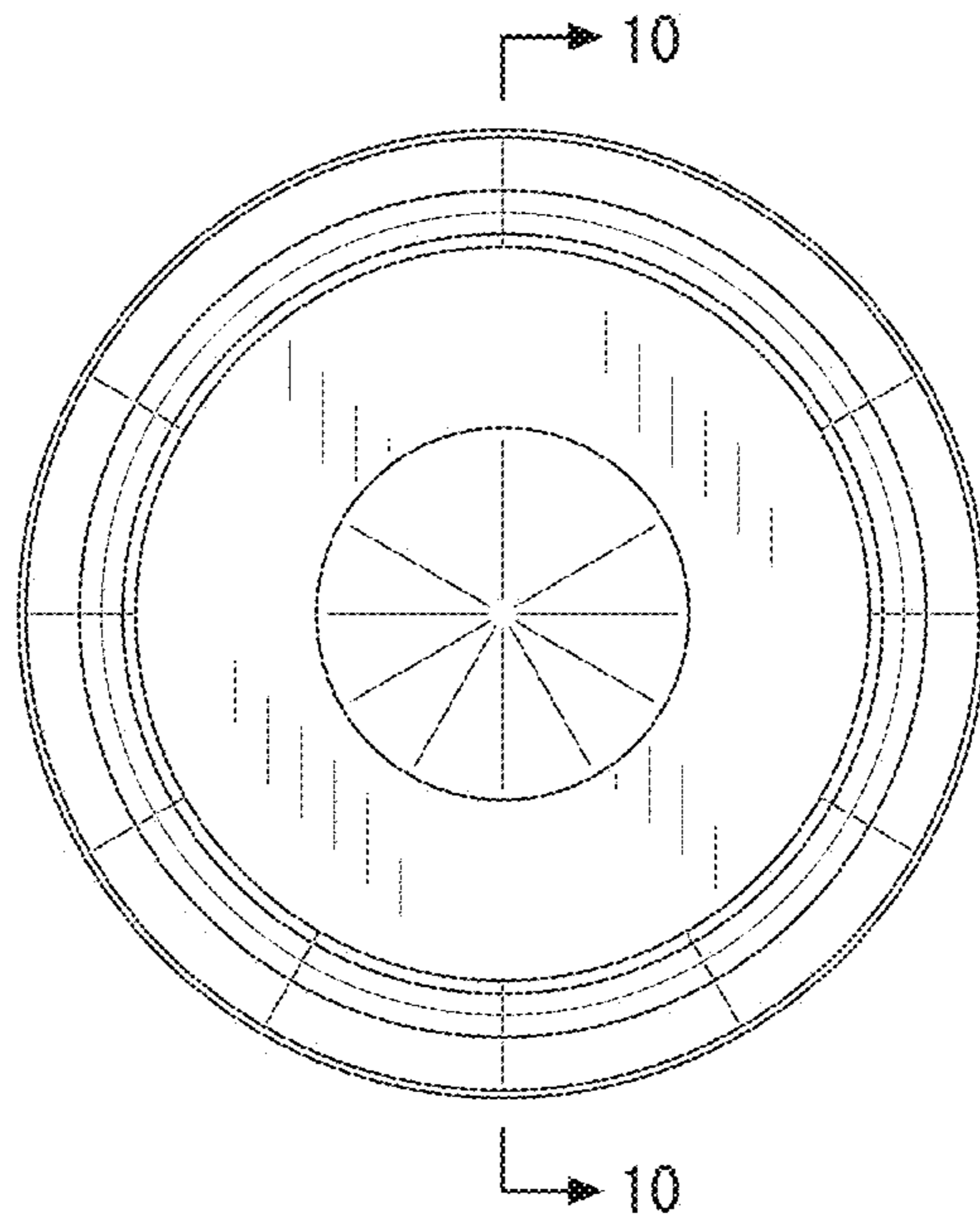


FIG.5

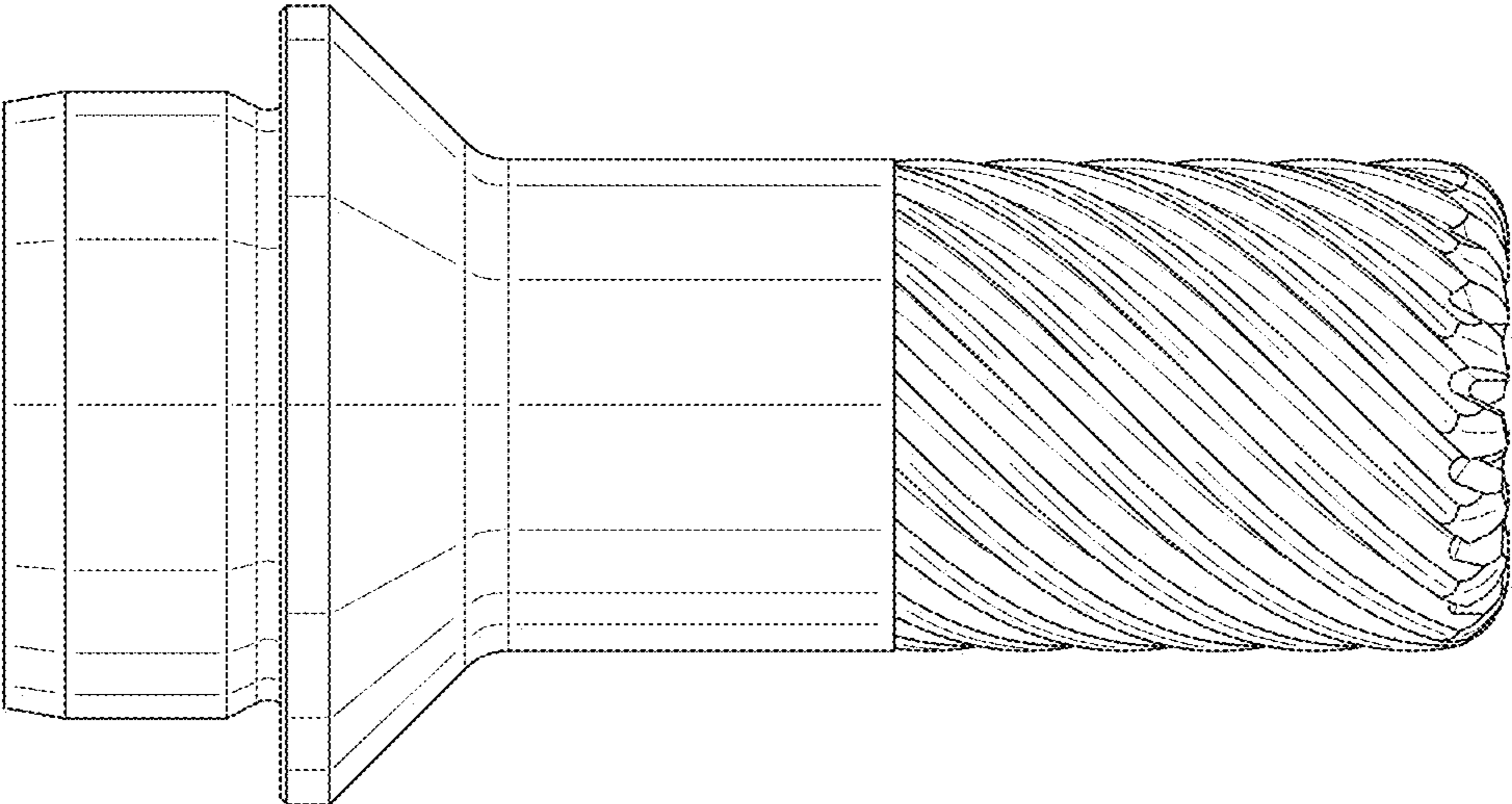


FIG.6

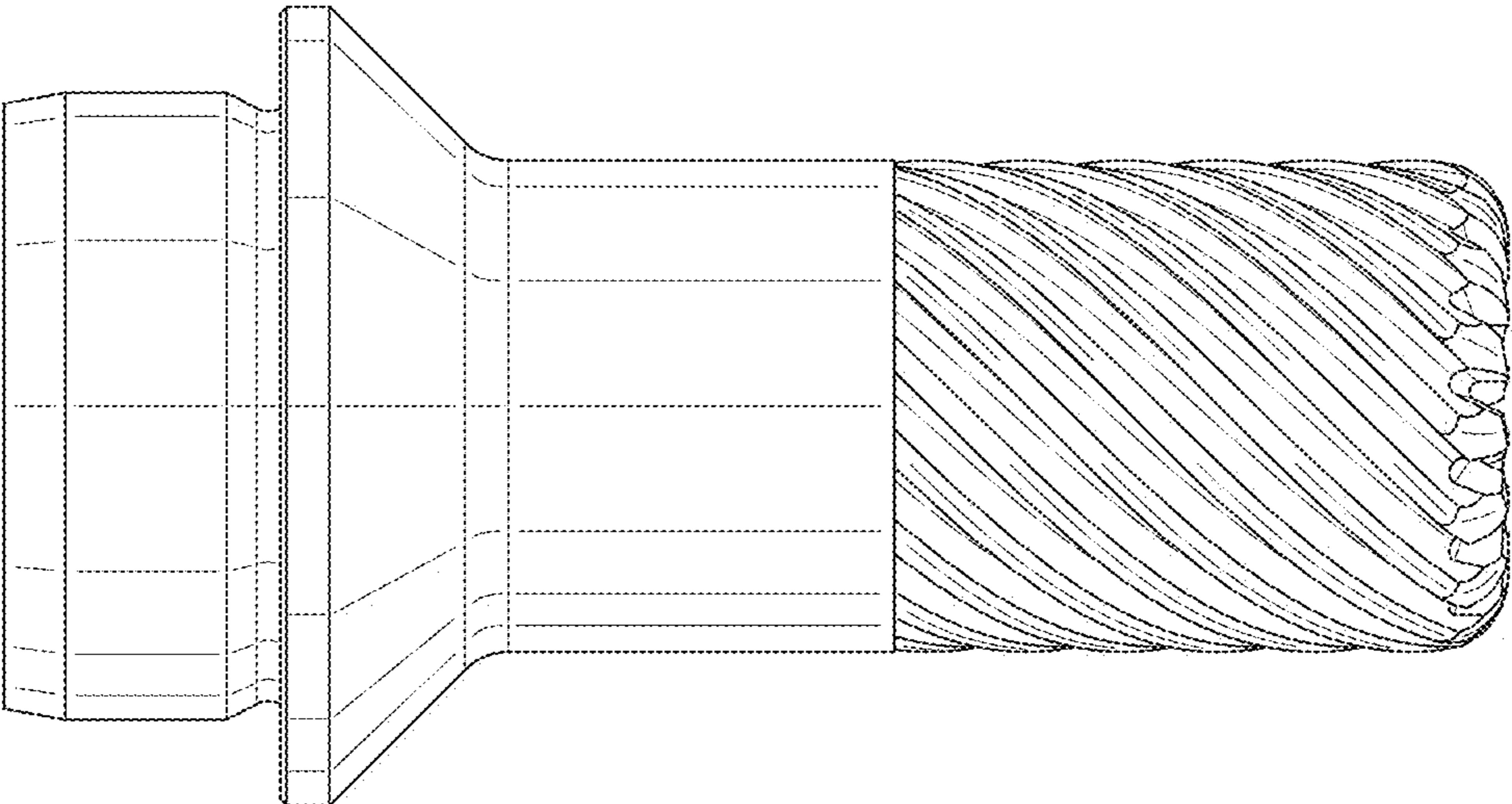


FIG.7

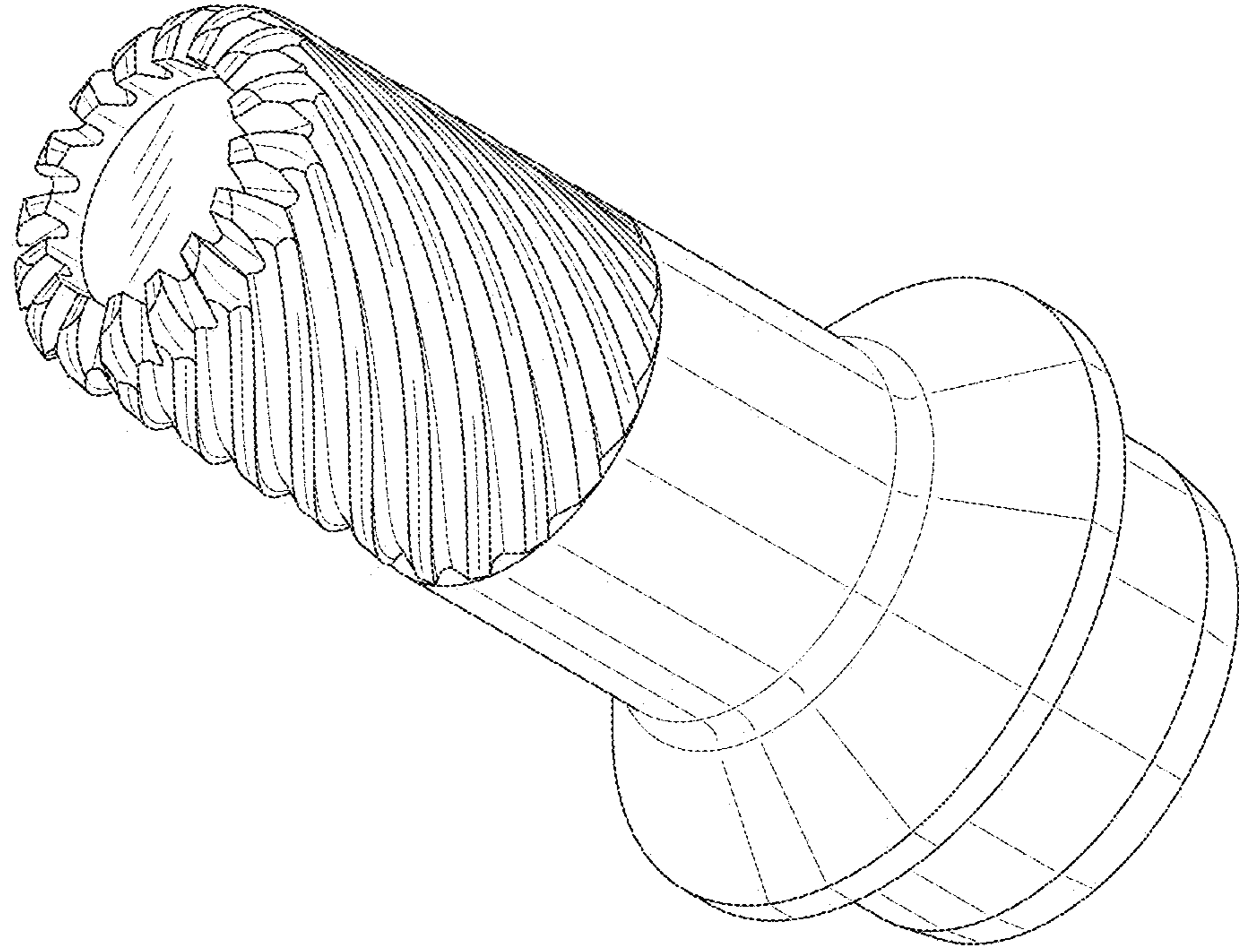


FIG.8

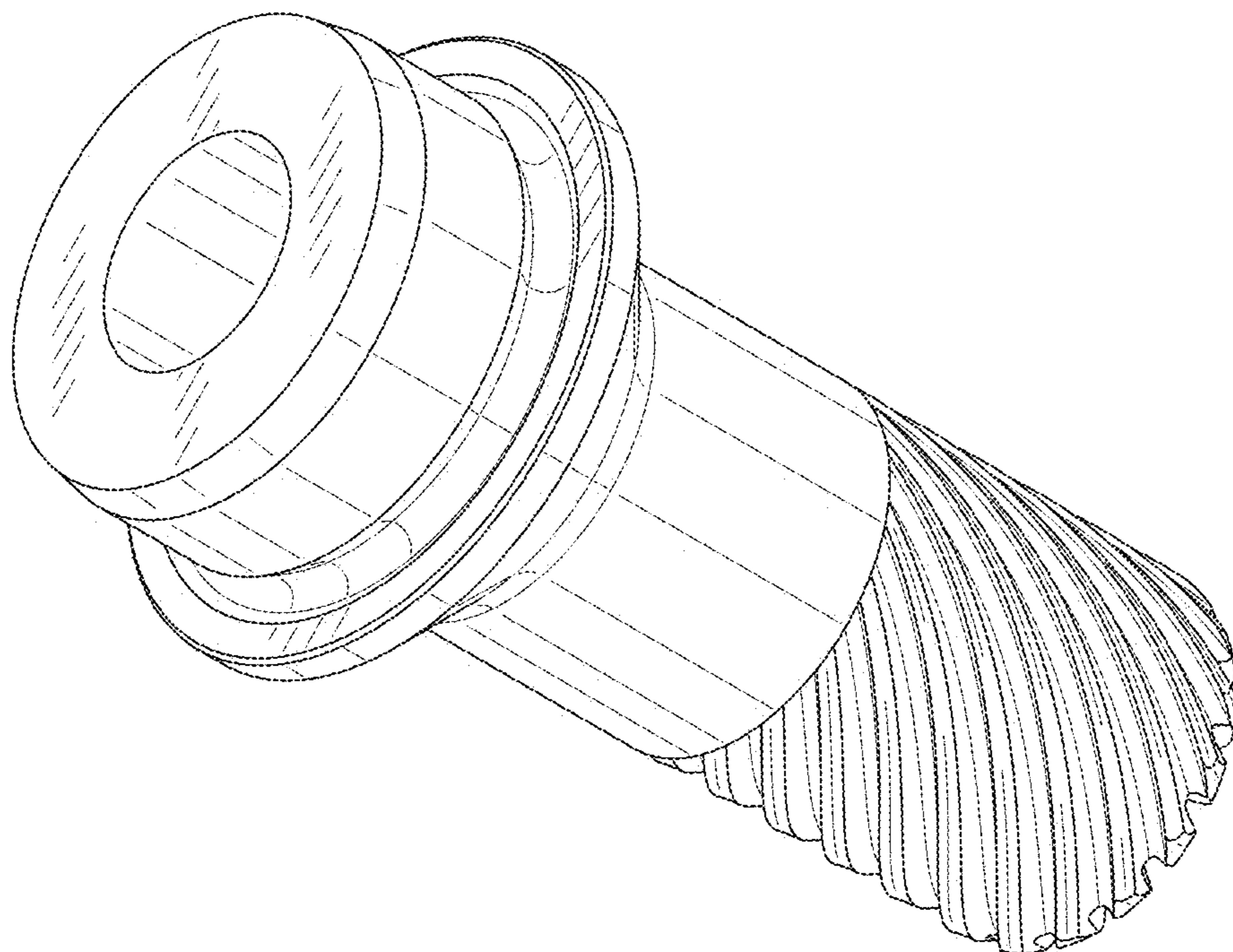


FIG. 9

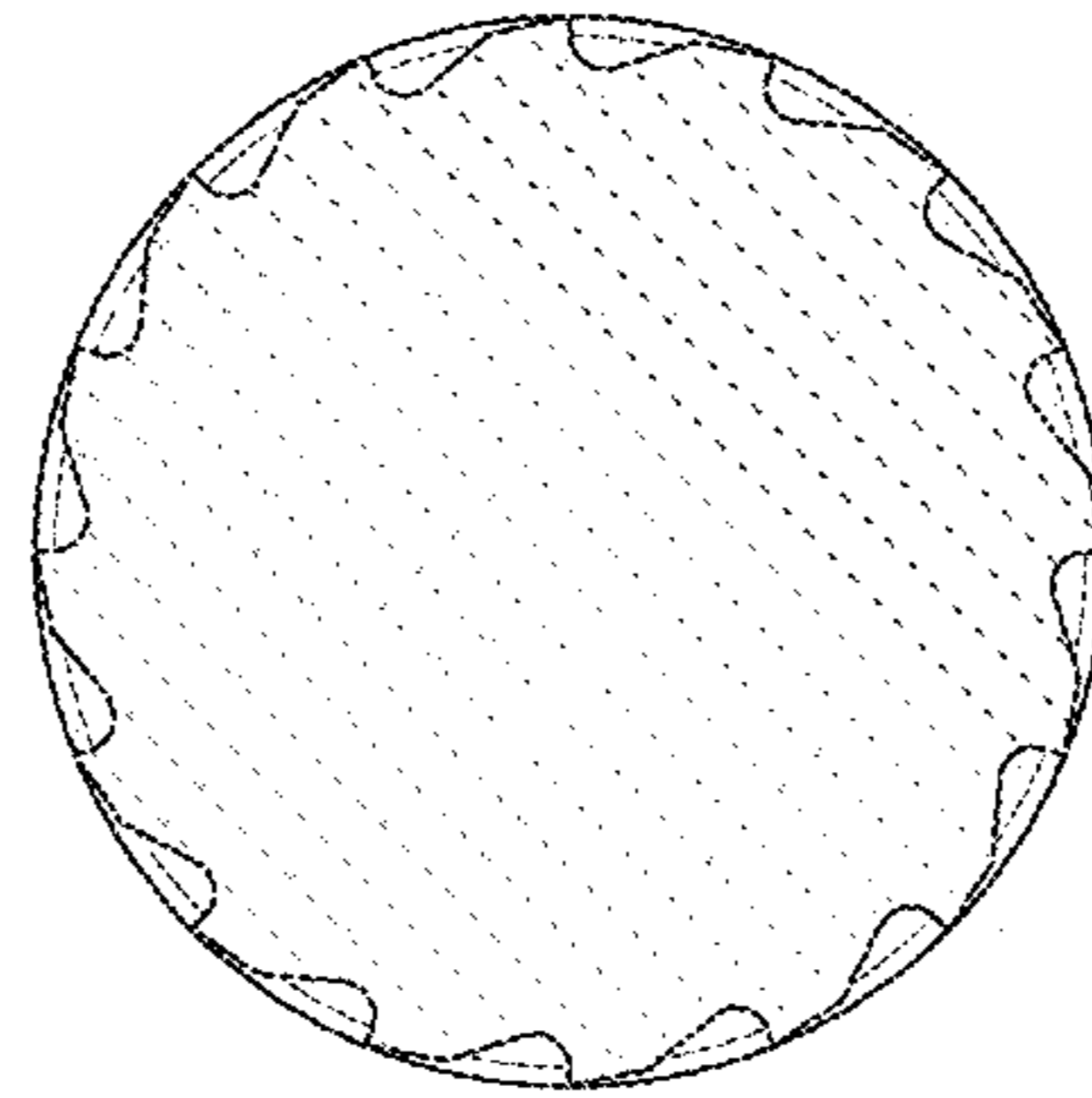


FIG. 10

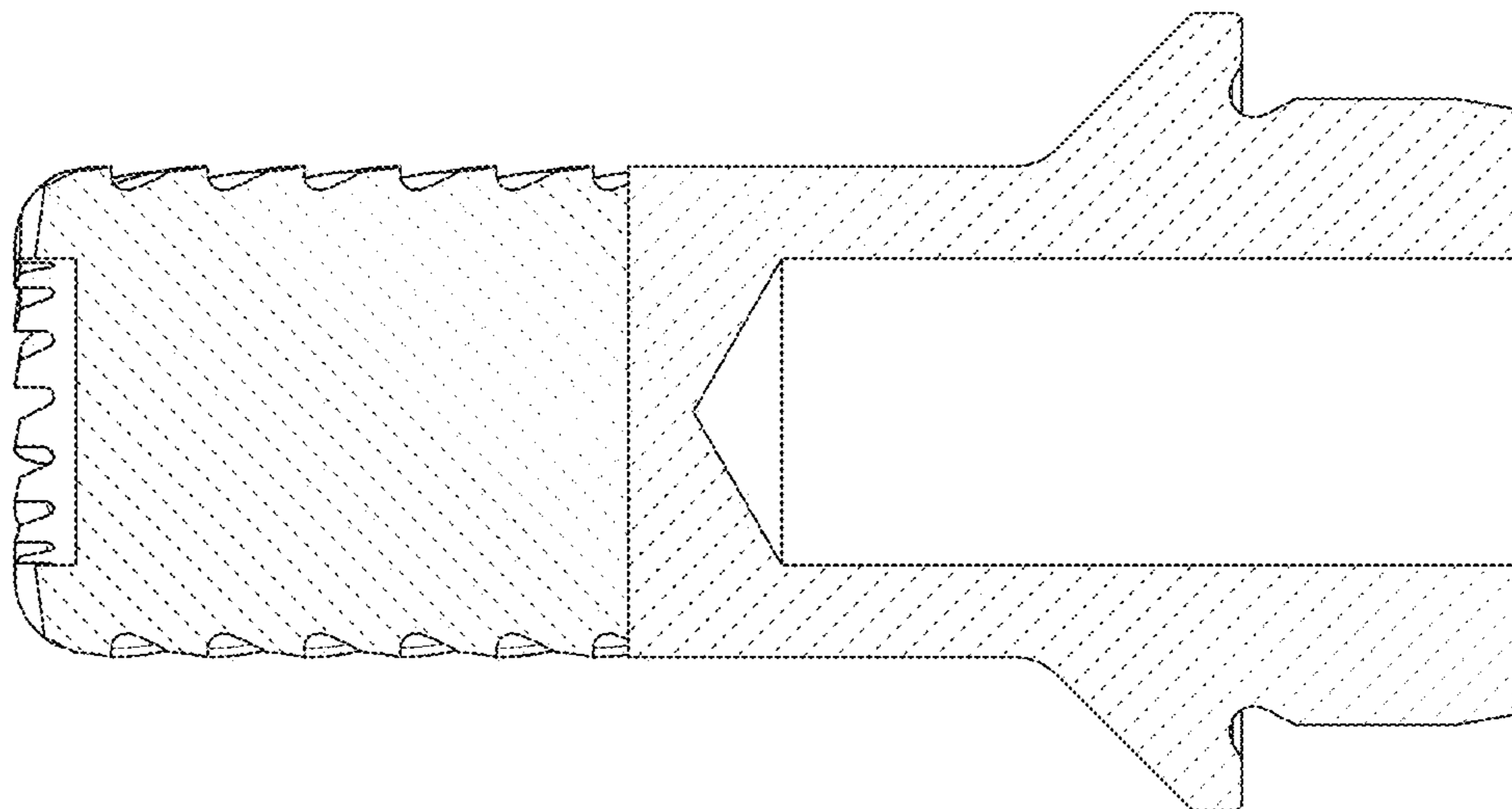


FIG. 11

