

US00D964439S

(12) **United States Design Patent**  
**Shearer**

(10) **Patent No.:** **US D964,439 S**

(45) **Date of Patent:** **\*\* Sep. 20, 2022**

- (54) **CORNER ROUNDER JIG**
- (71) Applicant: **Joshua D. Shearer**, Hemet, CA (US)
- (72) Inventor: **Joshua D. Shearer**, Hemet, CA (US)
- (\*\*) Term: **15 Years**
- (21) Appl. No.: **29/731,171**
- (22) Filed: **Apr. 13, 2020**
- (51) **LOC (13) Cl.** ..... **15-09**
- (52) **U.S. Cl.**  
USPC ..... **D15/128**
- (58) **Field of Classification Search**  
USPC ..... D19/65, 72; D8/98; D15/128  
CPC ..... B26D 3/10; B26F 1/36; B26F 1/12; B26F  
1/32; B26B 17/006  
See application file for complete search history.

- 5,893,313 A \* 4/1999 Mori ..... B26D 3/10  
83/684
- 6,016,733 A \* 1/2000 Lin ..... B26D 3/10  
83/564
- 6,125,546 A 10/2000 Laws et al.
- 6,840,145 B1 \* 1/2005 Lee ..... B26F 1/36  
83/167
- D636,413 S 4/2011 Gustavsson et al.
- D700,223 S 2/2014 Shearer
- D701,542 S \* 3/2014 Shearer ..... D15/128
- 2002/0002891 A1 \* 1/2002 Arnold ..... B26D 7/00  
83/683
- 2005/0028659 A1 \* 2/2005 Lin ..... B26F 1/12  
83/167
- 2005/0072286 A1 \* 4/2005 Shih ..... B26D 3/10  
83/633

(Continued)

*Primary Examiner* — Nathaniel D. Buckner  
(74) *Attorney, Agent, or Firm* — Kirk A. Buhler; Buhler & Associates Patenting

(56) **References Cited**

U.S. PATENT DOCUMENTS

- 2,082,867 A \* 6/1937 Andersen ..... B26D 5/16  
83/636
- 3,205,748 A 9/1965 Smeets
- 3,405,583 A 10/1968 Herzog
- 3,616,719 A 11/1971 Tassie
- 3,820,426 A 6/1974 Thompson
- D233,065 S 10/1974 Roch
- 3,942,400 A 3/1976 Roch et al.
- D244,758 S 6/1977 Iattery
- 4,433,600 A 2/1984 Ikeda
- 4,481,848 A 11/1984 Ikeda
- 4,527,454 A 7/1985 Walter
- 4,674,378 A 6/1987 Kawano et al.
- 4,771,669 A \* 9/1988 Bianchi ..... B23D 15/002  
269/319
- D303,673 S 9/1989 Ai
- D350,142 S 8/1994 Imanishi et al.
- D392,323 S \* 3/1998 Appelbaum ..... D19/72
- 5,740,713 A \* 4/1998 Korb ..... B26D 3/14  
83/636

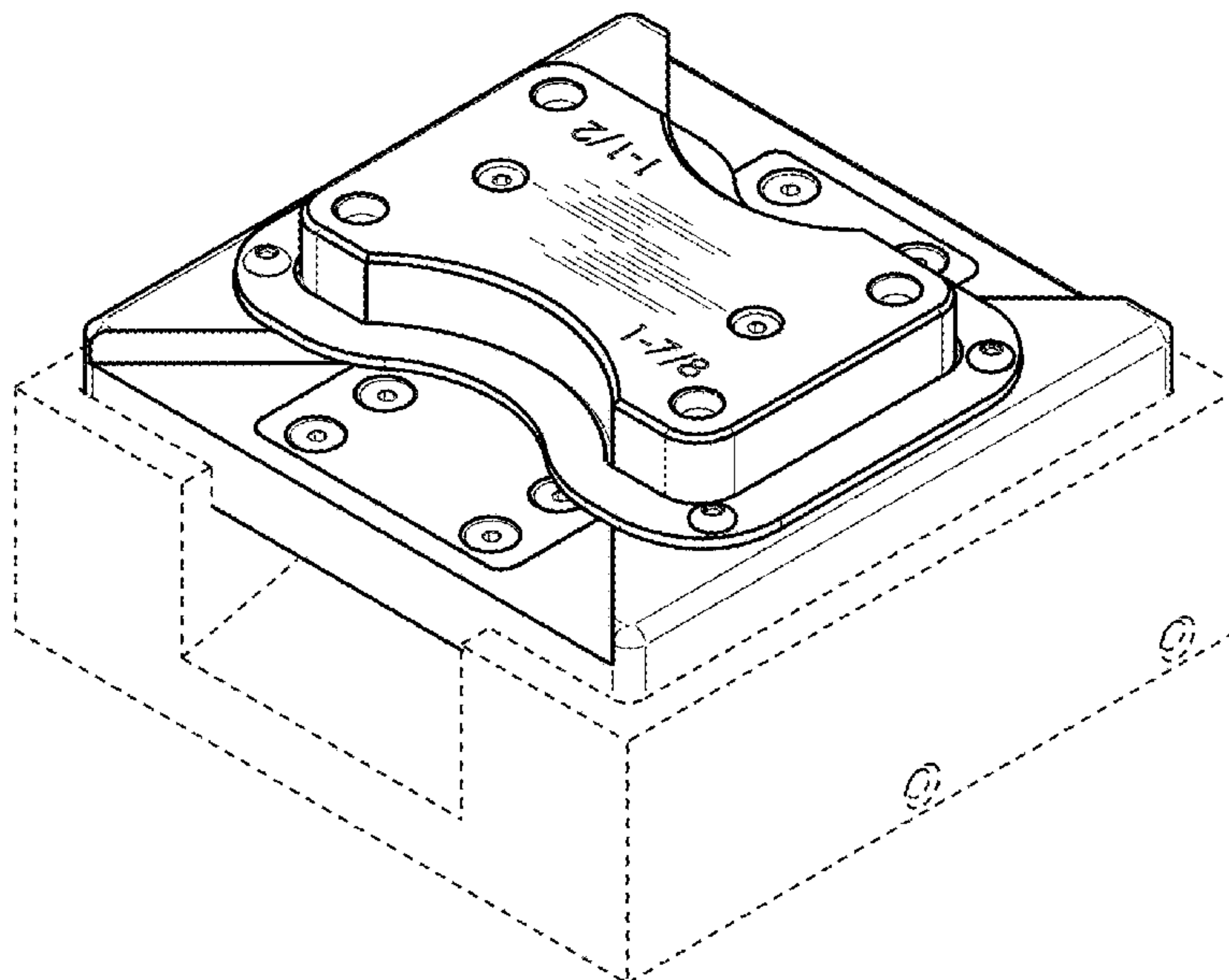
(57) **CLAIM**

The ornamental design for a corner rounder jig, as shown and described.

**DESCRIPTION**

FIG. 1 is a top perspective view for a corner rounder jig showing my new design;  
FIG. 2 is a top plan view thereof;  
FIG. 3 is a bottom view thereof;  
FIG. 4 is a rear elevation view thereof;  
FIG. 5 is a front elevation view thereof;  
FIG. 6 is a right side elevation view, the left side elevation view being a mirror image thereof;  
FIG. 7 is a bottom perspective view thereof; and,  
FIG. 8 is a top perspective view in an environment of use. The broken lines in FIG. 8 depict environmental subject matter and form no part of the claimed design.

**1 Claim, 7 Drawing Sheets**



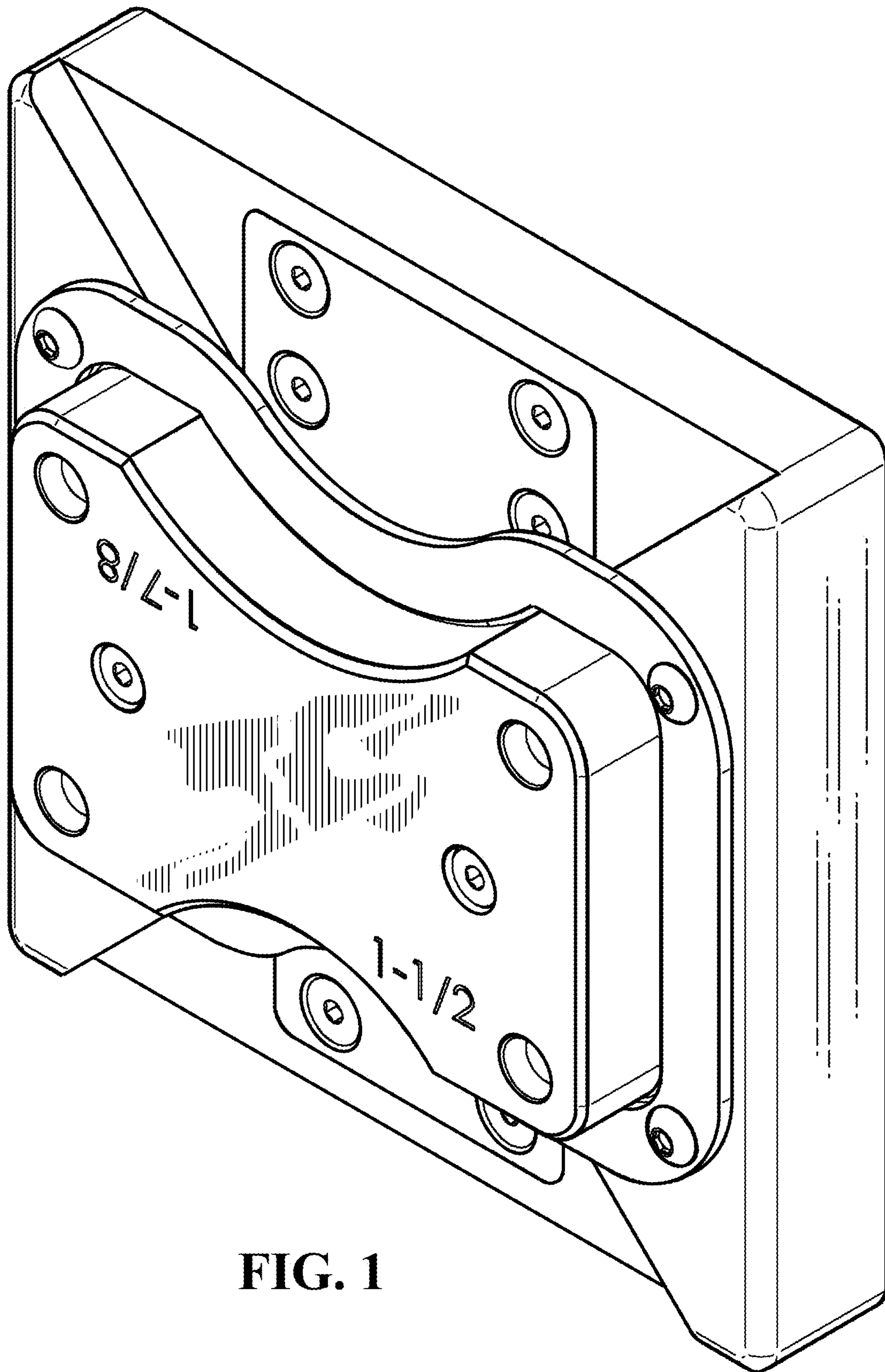
(56)

**References Cited**

U.S. PATENT DOCUMENTS

2006/0101946 A1\* 5/2006 Oh ..... B26F 1/36  
76/107.1  
2012/0301250 A1\* 11/2012 Wu ..... B42D 1/004  
412/16

\* cited by examiner



**FIG. 1**

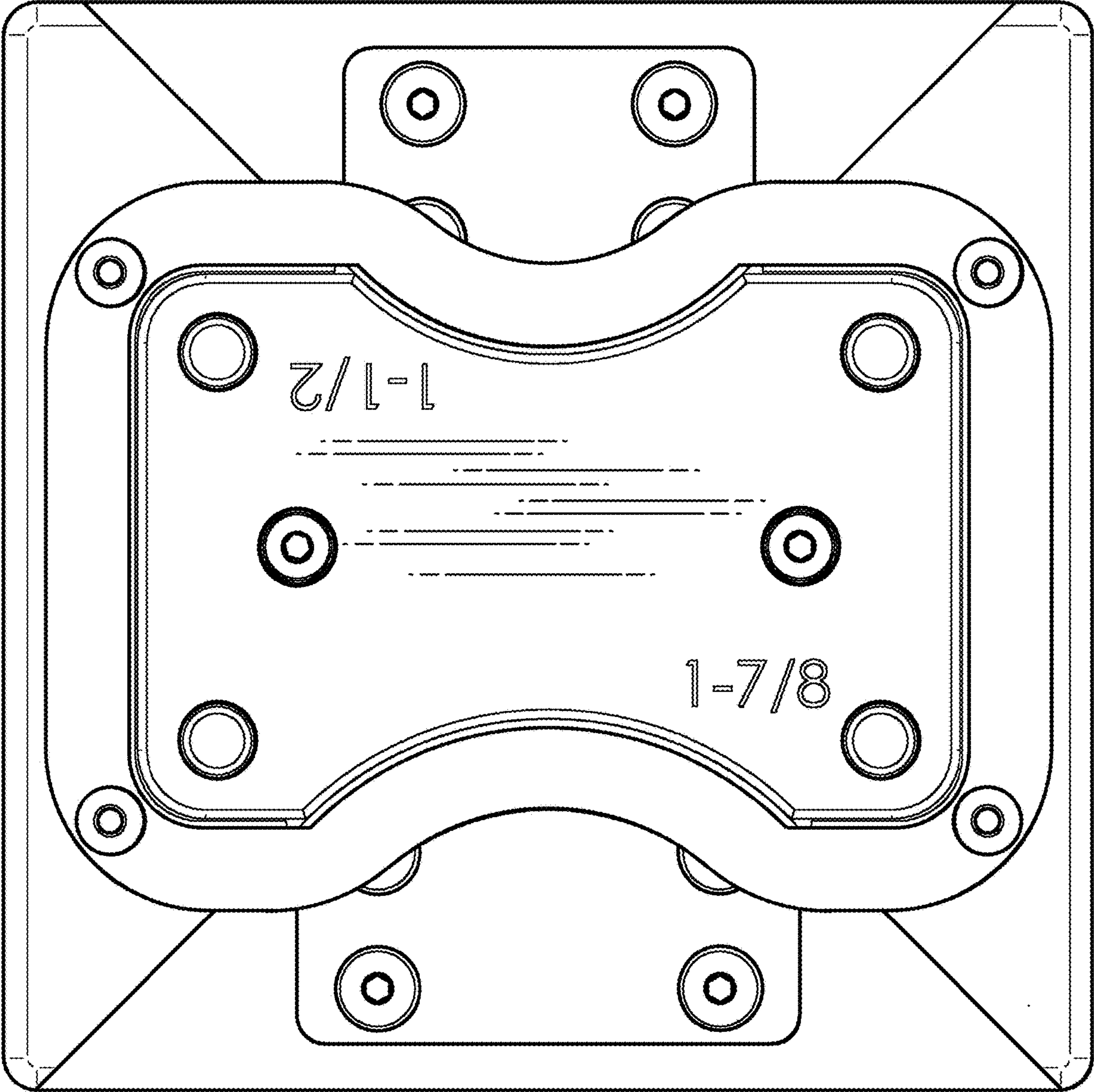


FIG. 2



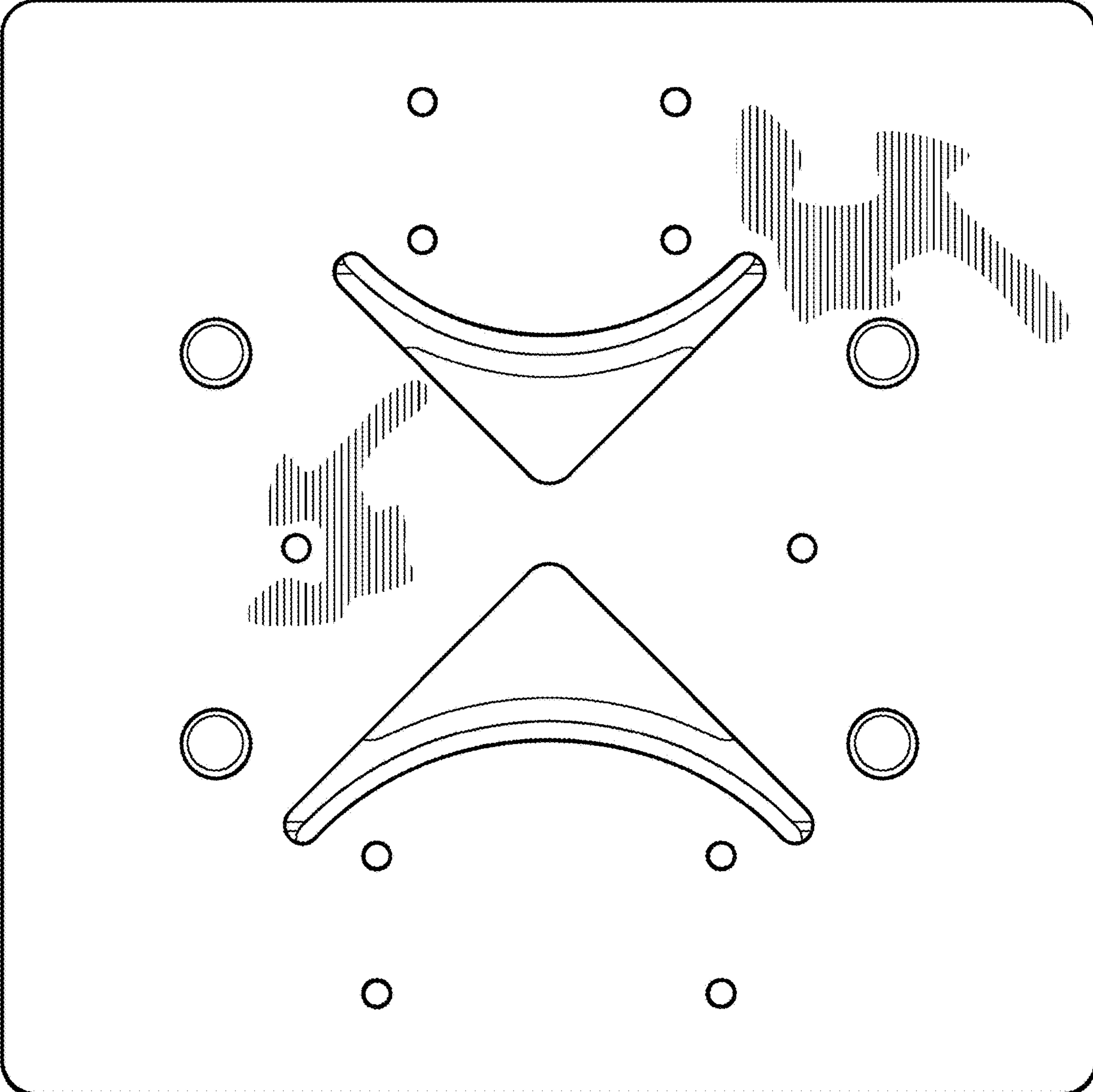
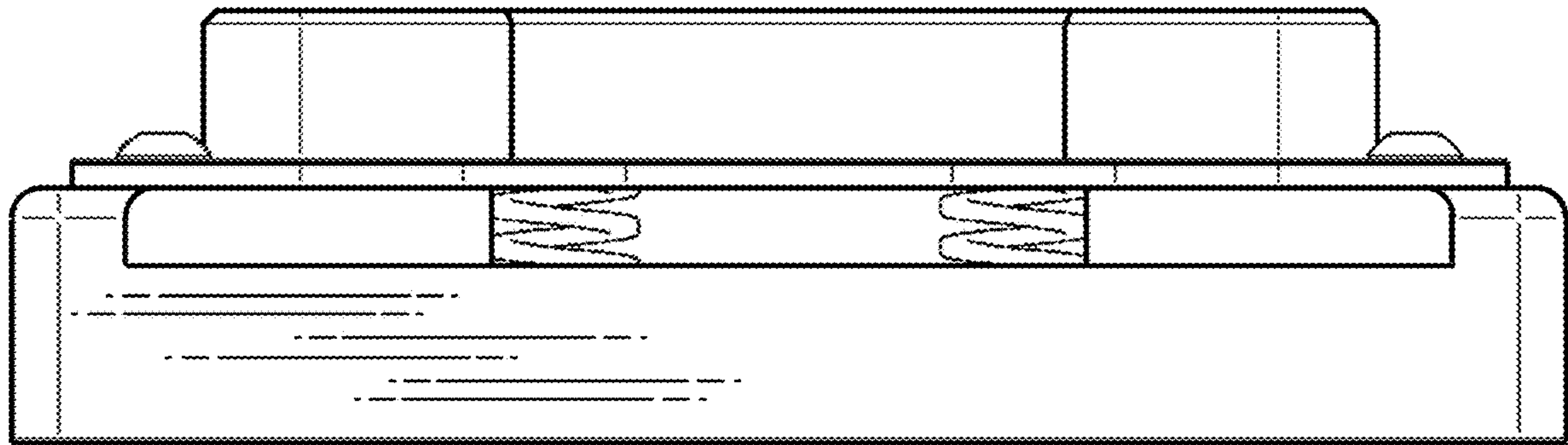
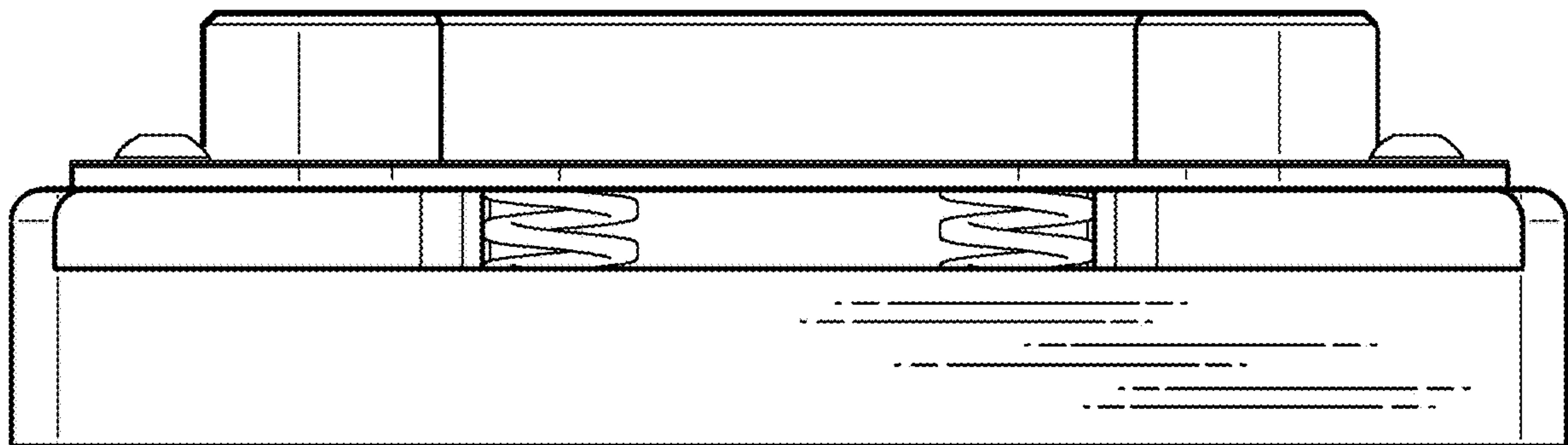


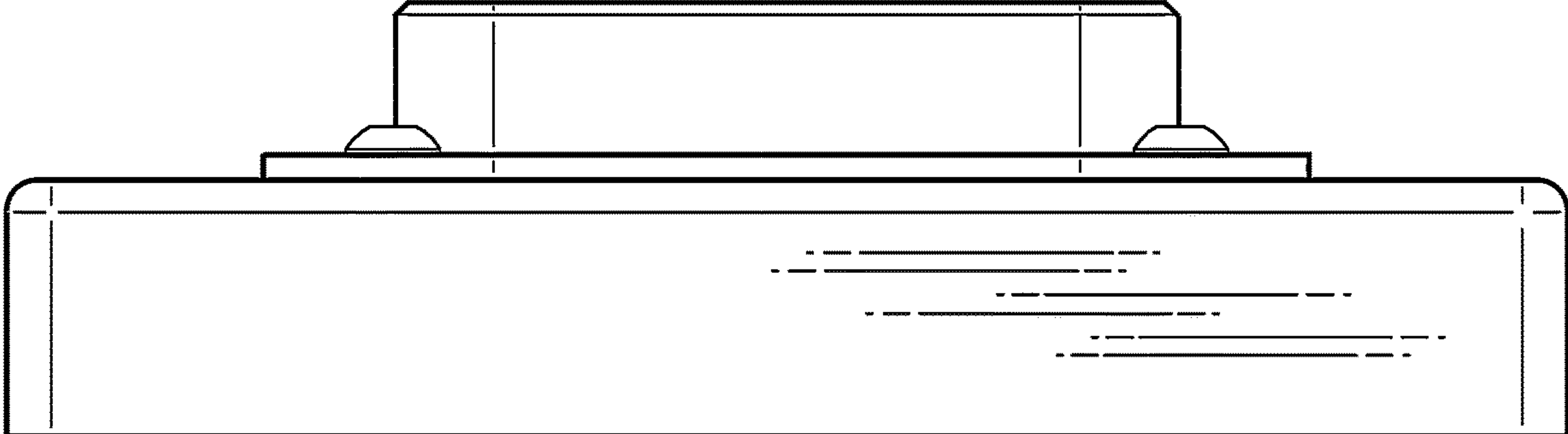
FIG. 3



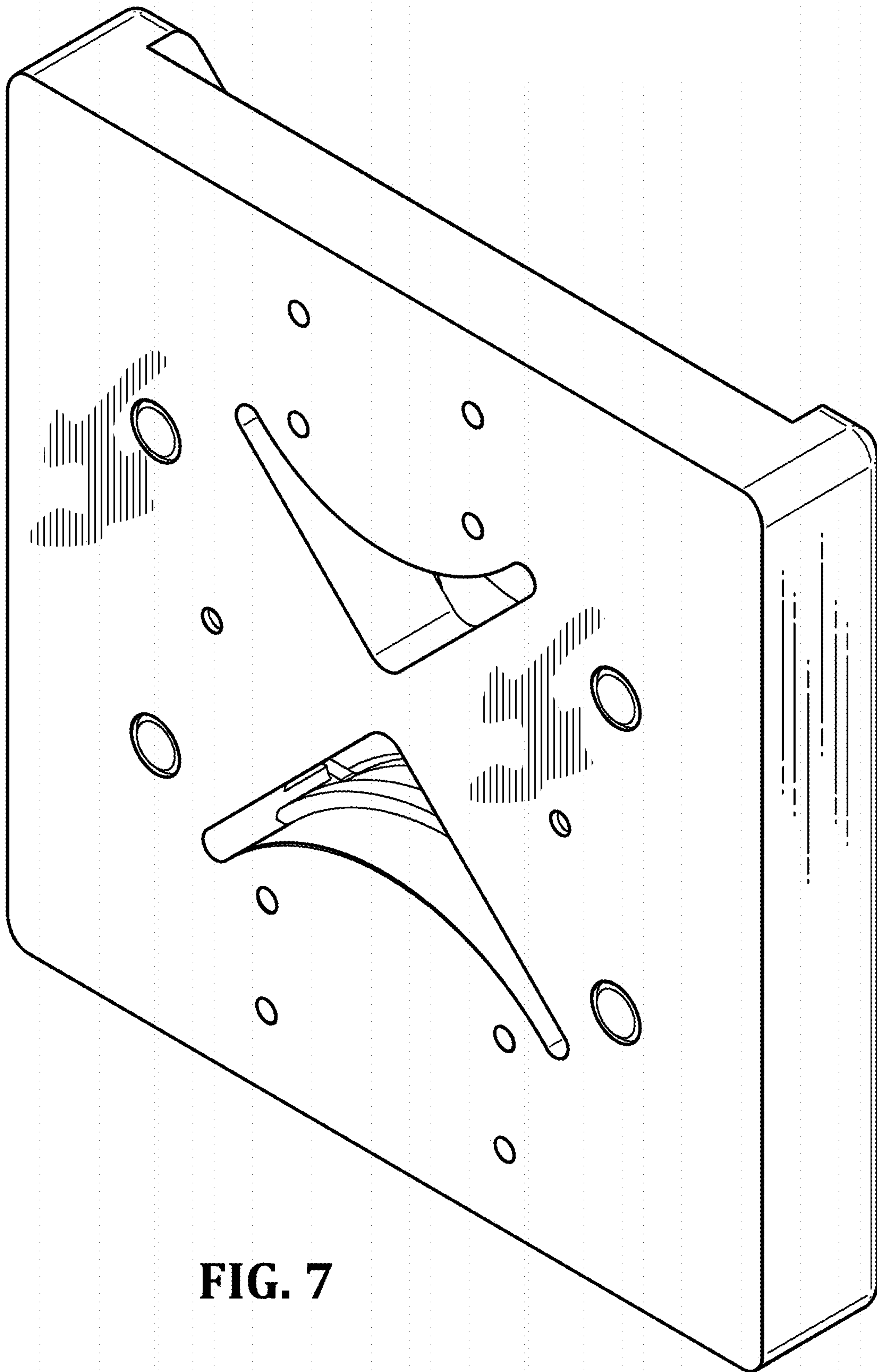
**FIG. 4**



**FIG. 5**

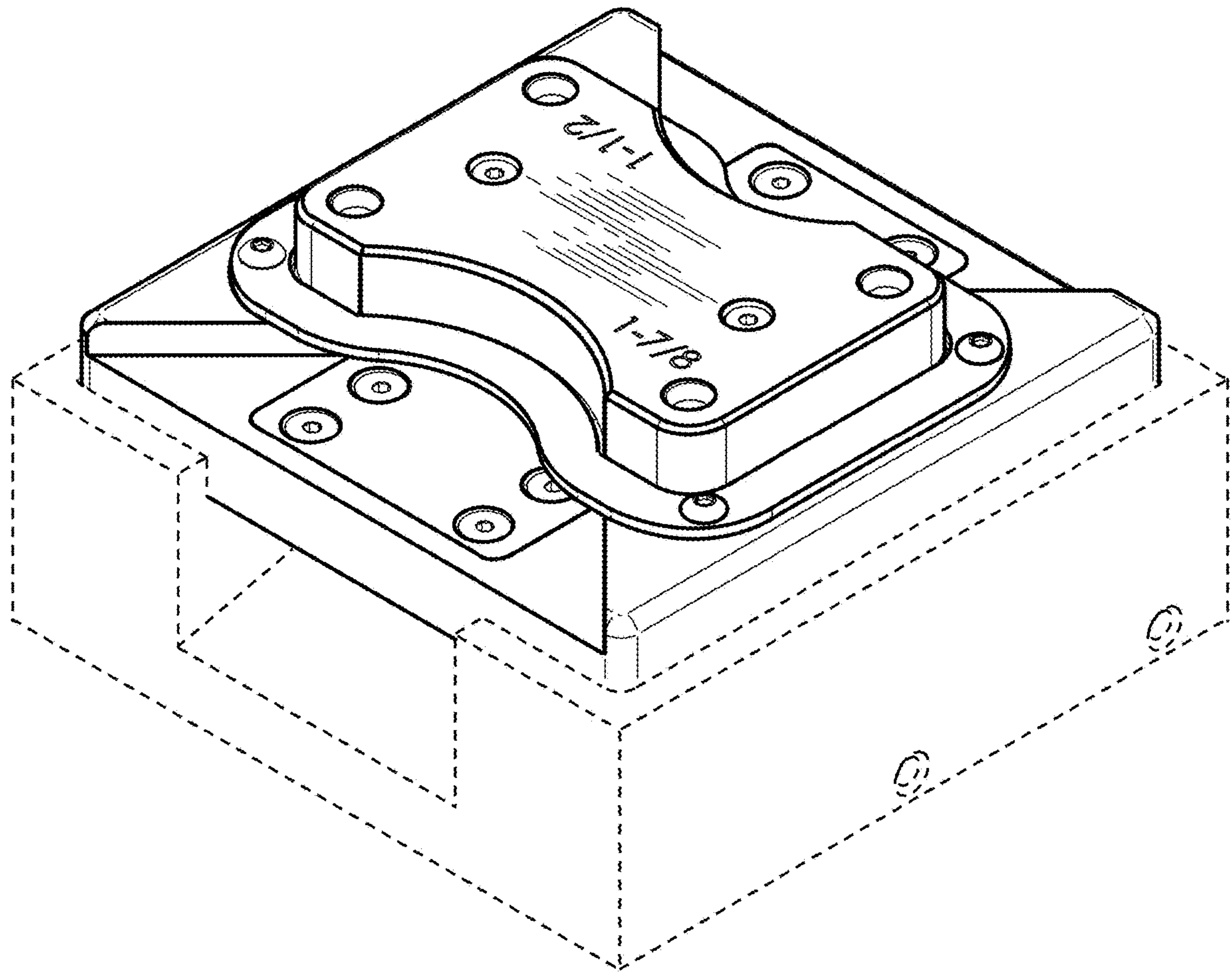


**FIG. 6**



**FIG. 7**





**FIG. 8**