

US00D964438S

(12) **United States Design Patent**
Deng

(10) **Patent No.:** **US D964,438 S**

(45) **Date of Patent:** **** Sep. 20, 2022**

(54) **ICE CUBE BOX**

(71) Applicant: **Coolnice Household Products Co., Ltd.**, Foshan (CN)

(72) Inventor: **Weihua Deng**, Liling (CN)

(**) Term: **15 Years**

(21) Appl. No.: **29/830,857**

(22) Filed: **Mar. 15, 2022**

(51) **LOC (13) Cl.** **15-07**

(52) **U.S. Cl.**
USPC **D15/90**

(58) **Field of Classification Search**
USPC D15/79-91; D7/368, 669, 603, 605, 300
CPC .. F25J 2220/02; F25J 2270/902; F25J 3/0209;
F25J 3/061; F25J 1/0065; F25J 1/0245;
F25J 1/0269; F25J 1/0294; F25J 1/0298;
F25J 2270/912; F25D 17/02; F25D
19/006; F25D 19/00; F25D 2201/12;
F25D 2317/063; F25D 23/028; F25D
23/069; F25D 23/087; F25D 25/02
See application file for complete search history.

(56) **References Cited**

U.S. PATENT DOCUMENTS

D446,226 S *	8/2001	Heredia	D15/90
D650,398 S *	12/2011	Hannon	D15/90
D764,552 S *	8/2016	Traub	D15/90
D803,904 S *	11/2017	Frank	D7/672
D819,093 S *	5/2018	Hellman	D15/90

D846,604 S *	4/2019	Lopez	D15/90
D848,494 S *	5/2019	Hua	D15/90
D852,237 S	6/2019	Helton		
D852,238 S *	6/2019	Kehoe	D15/90
D917,336 S *	4/2021	Brown	D15/90
D920,396 S *	5/2021	Martocchio	D15/123
D923,480 S *	6/2021	Xoy	D9/542
D923,481 S *	6/2021	Demarest	D9/542
D941,890 S *	1/2022	Song	D15/90
D944,873 S *	3/2022	Ye	D15/90
D946,061 S *	3/2022	Cran	D15/90
D947,259 S *	3/2022	Cran	D15/90

* cited by examiner

Primary Examiner — Khawaja Anwar

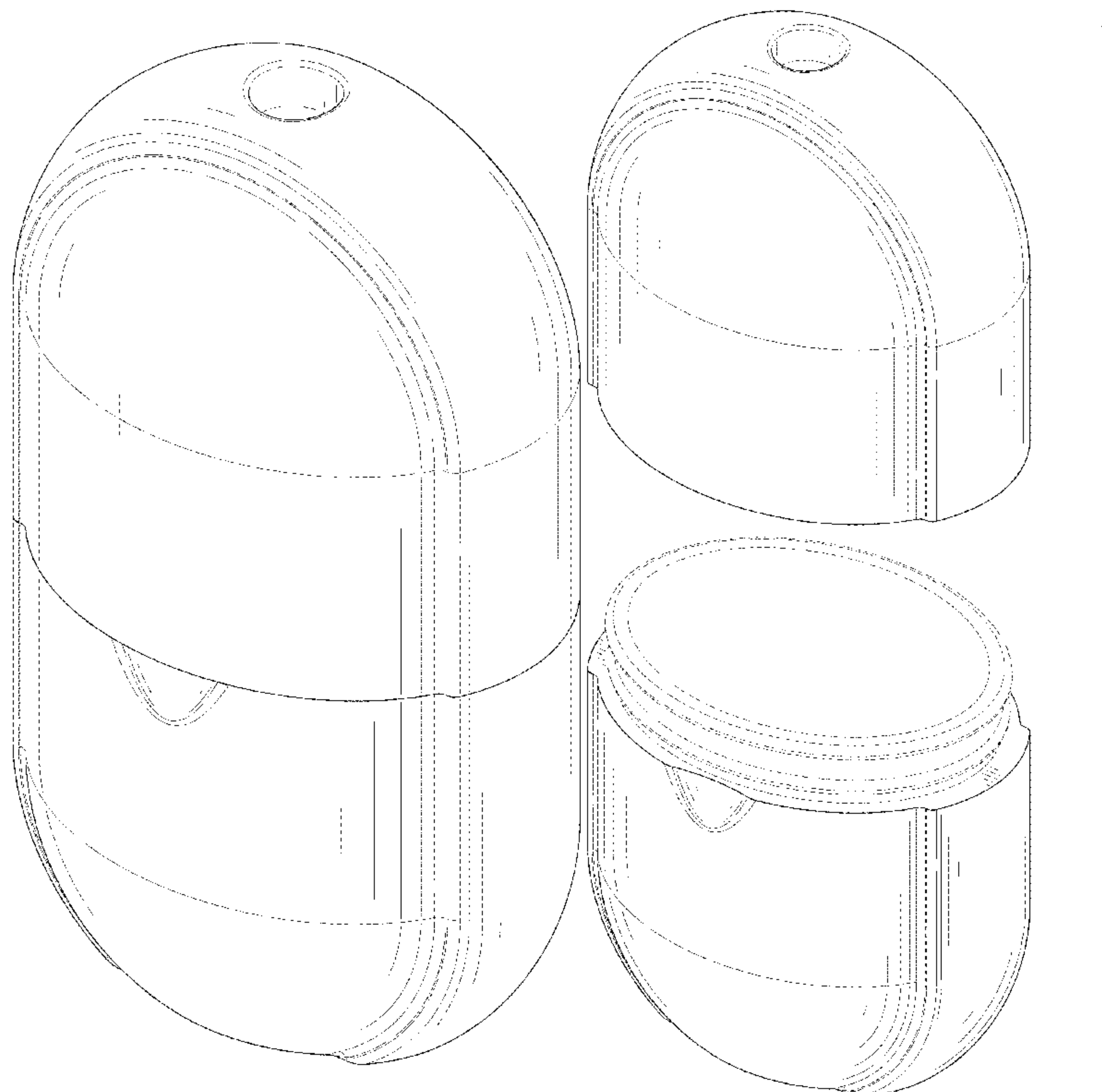
(57) **CLAIM**

The ornamental design for an ice cube box, as shown and described.

DESCRIPTION

FIG. 1 is a front and top perspective view of an ice cube box, showing my new design;
FIG. 2 is a rear and bottom perspective view thereof;
FIG. 3 is a front elevation view thereof;
FIG. 4 is a rear elevation view thereof;
FIG. 5 is a left side elevation view thereof;
FIG. 6 is a right side elevation view thereof;
FIG. 7 is a top plan view thereof;
FIG. 8 is a bottom plan view thereof; and,
FIG. 9 is an exploded view thereof.
The broken lines in the figures illustrate portions of the ice cube box that form no part of the claimed design.

1 Claim, 9 Drawing Sheets



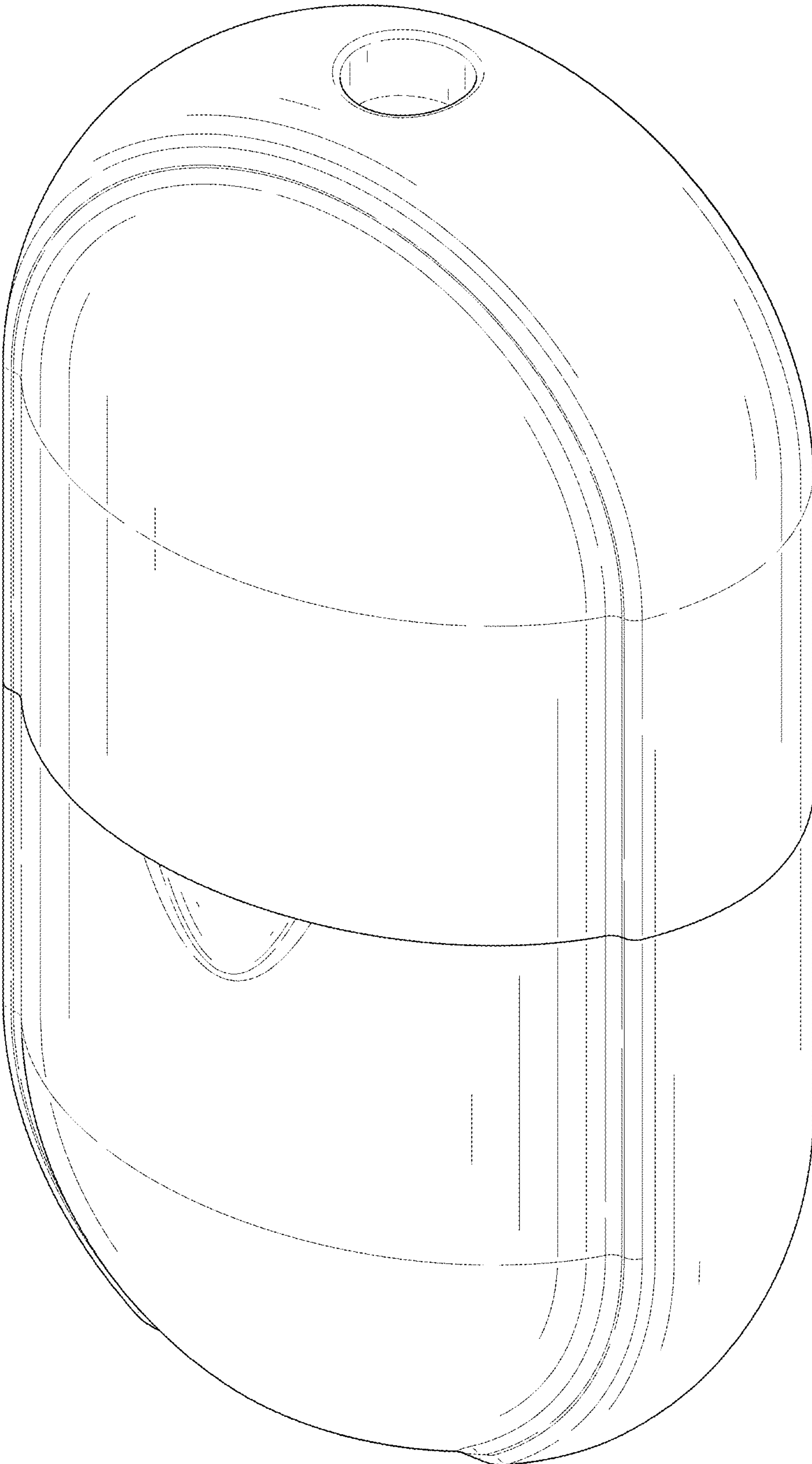


FIG. 1

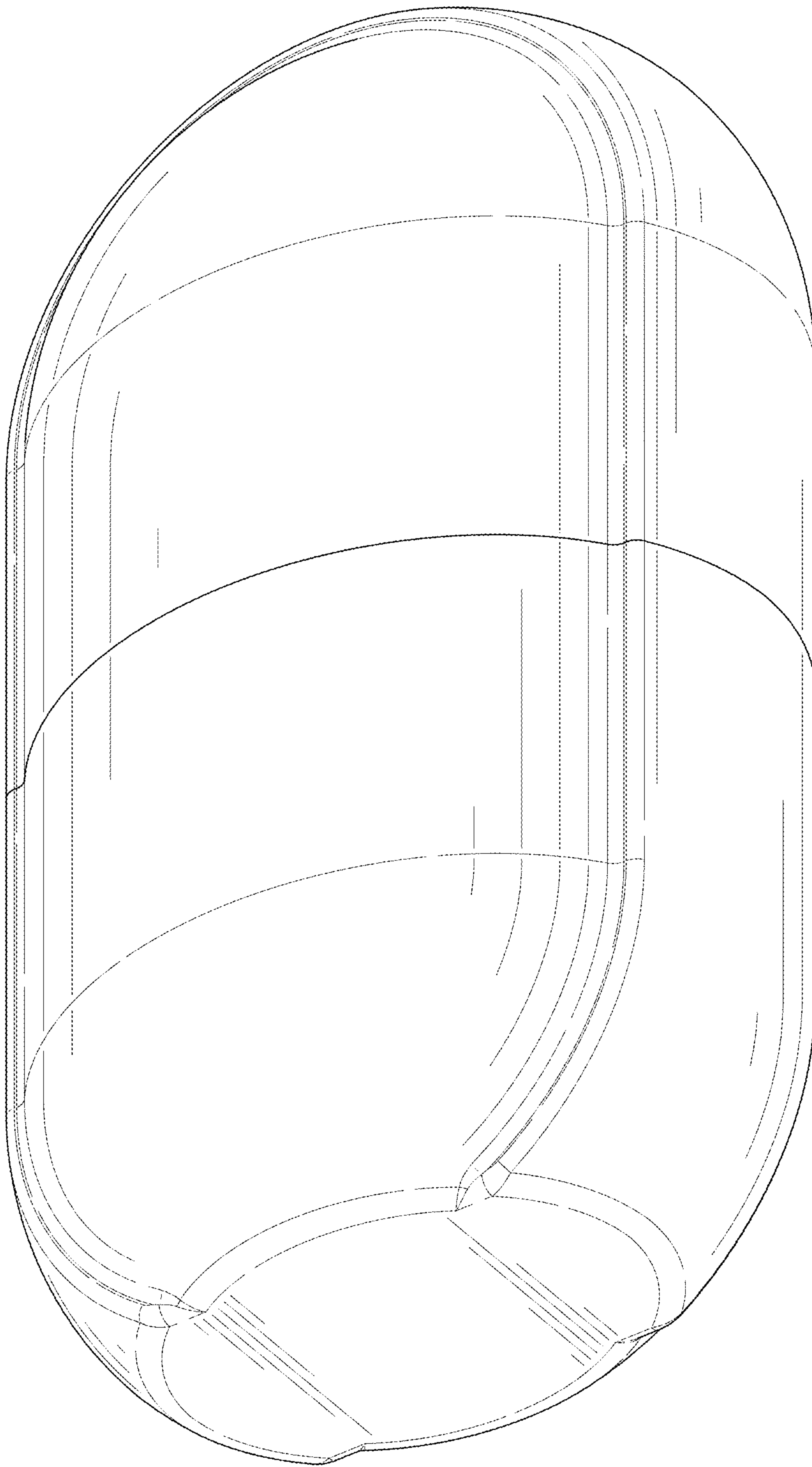


FIG. 2

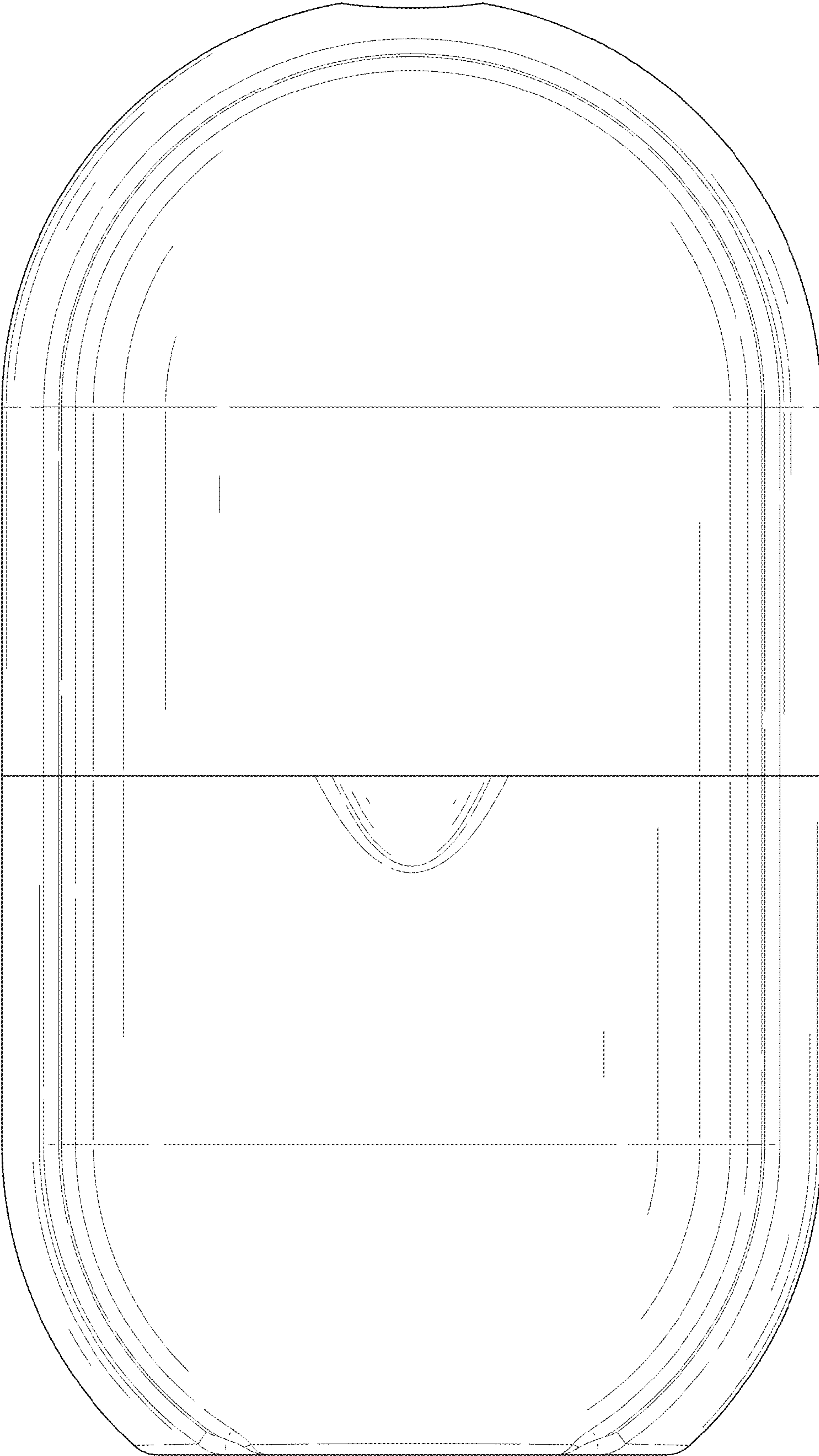


FIG. 3

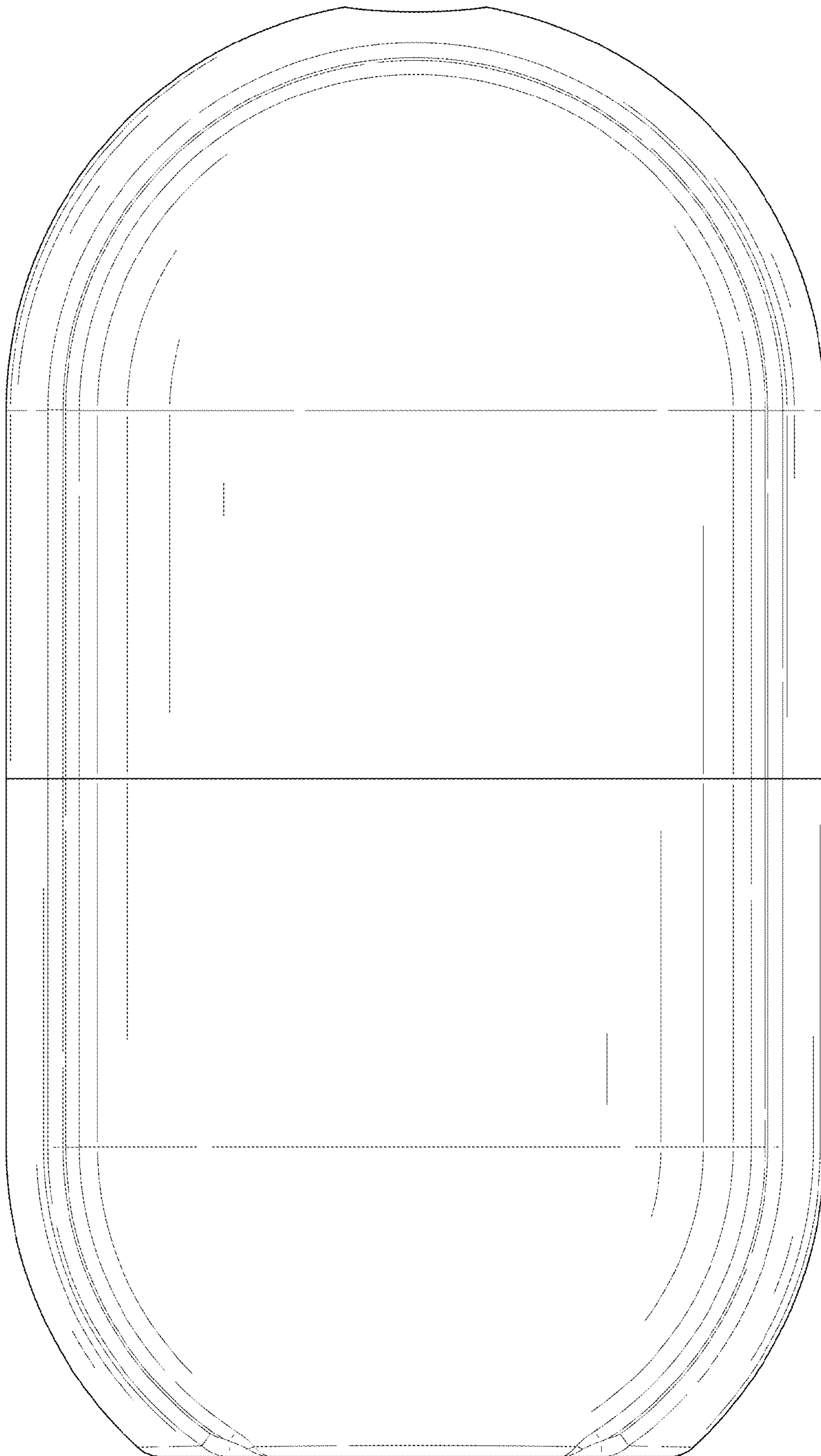


FIG. 4

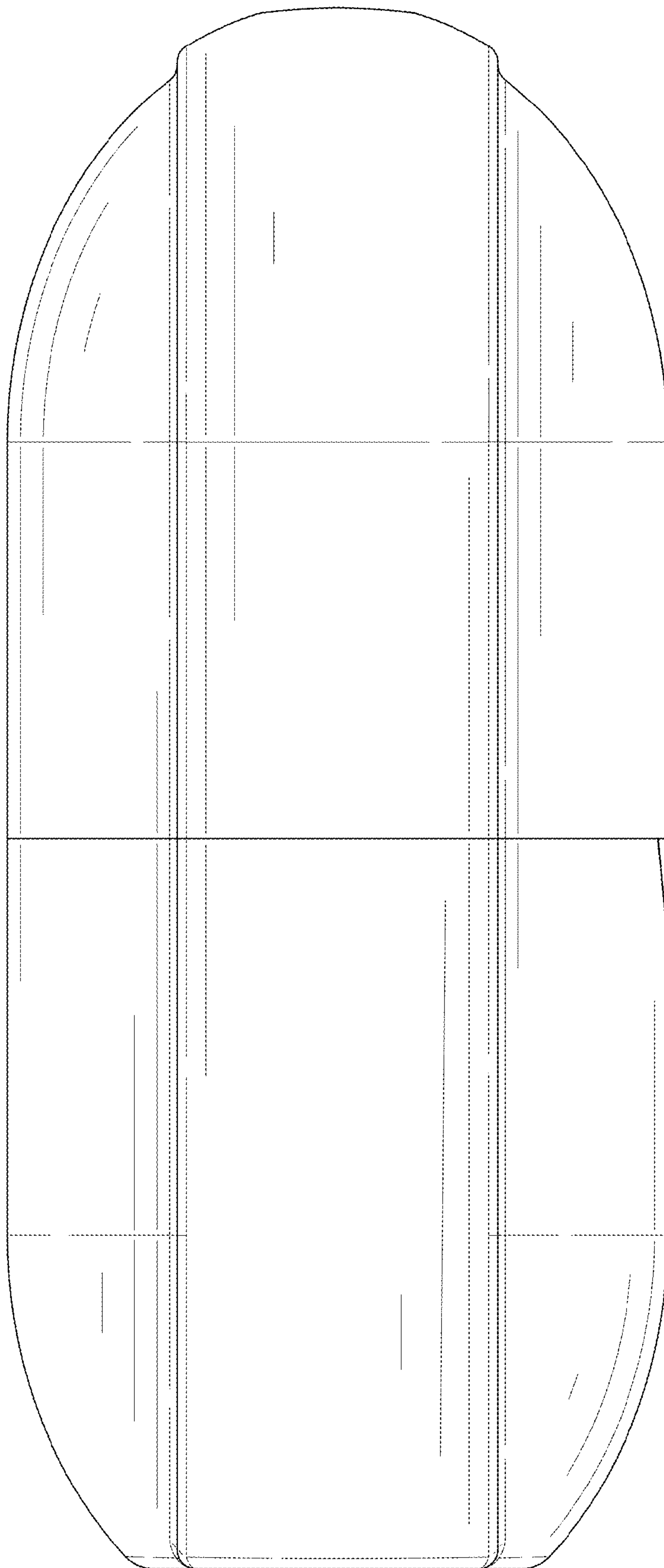


FIG. 5

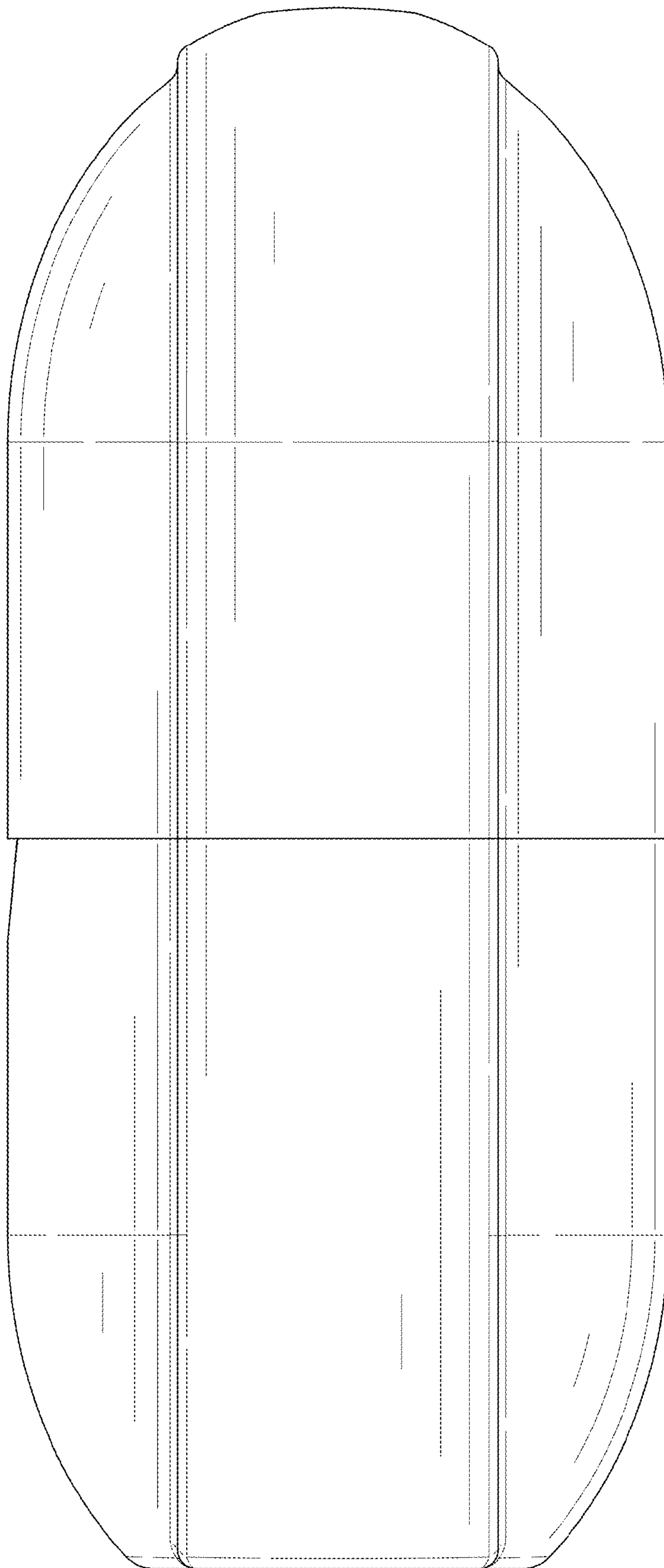


FIG. 6

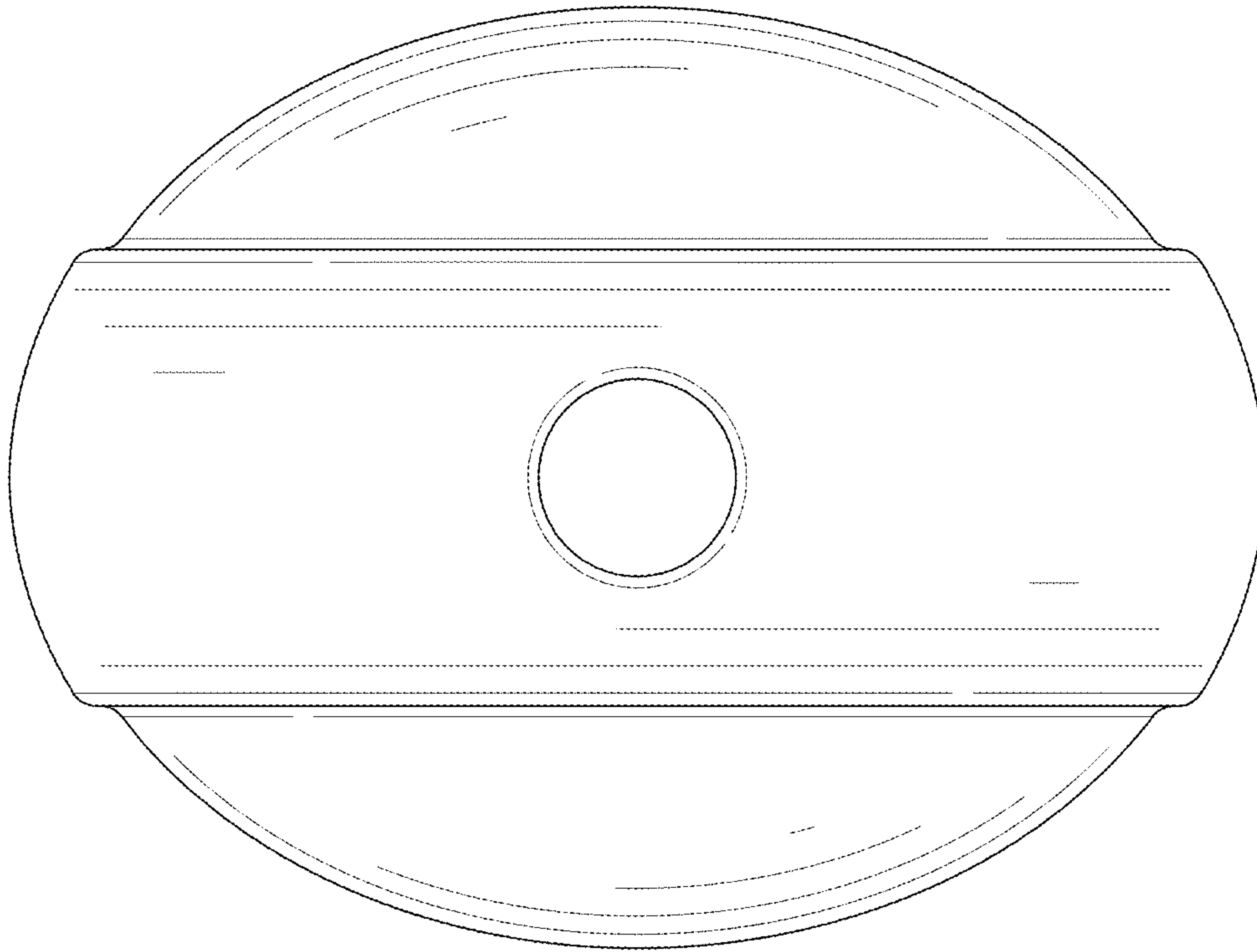


FIG. 7

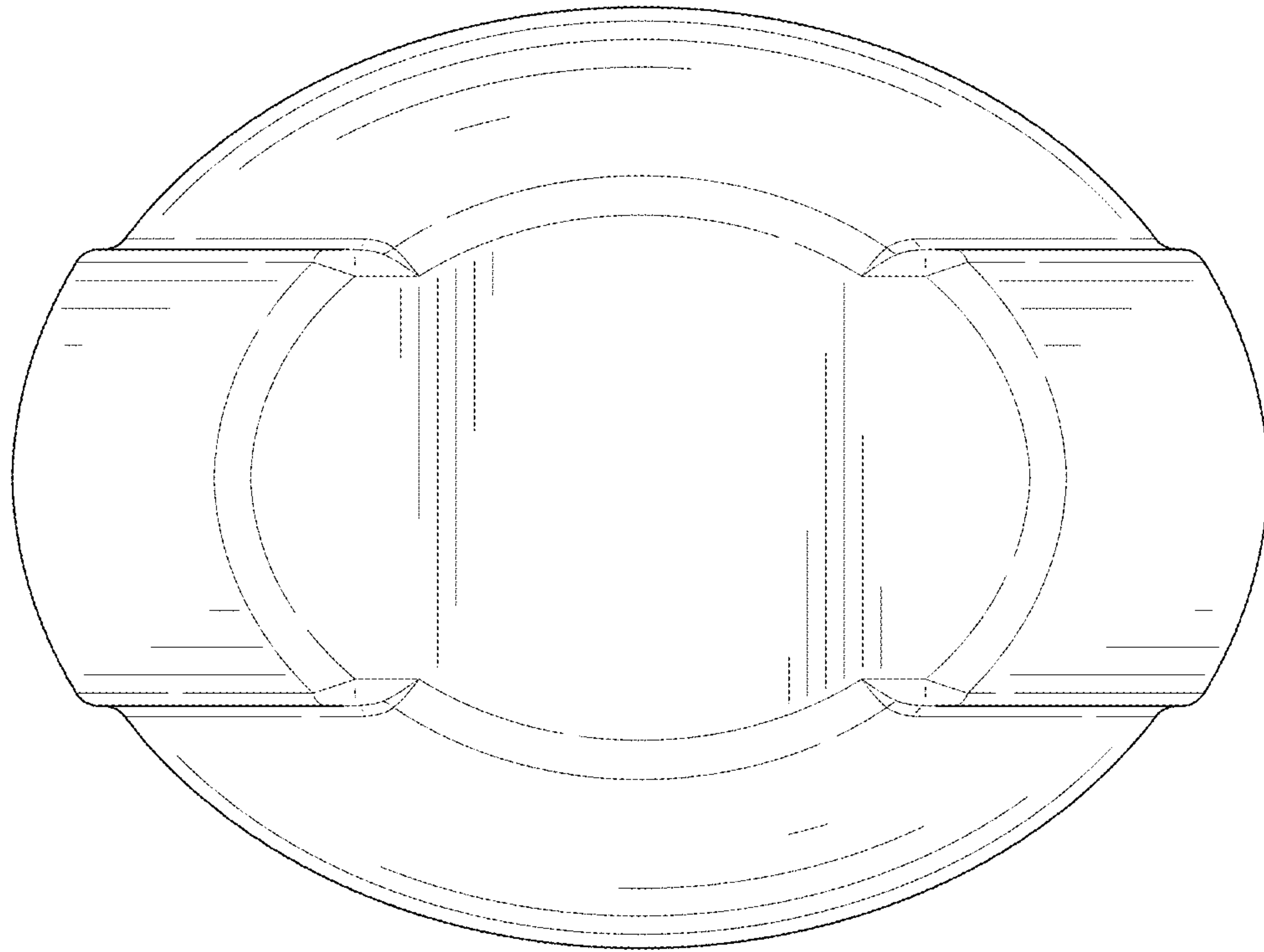


FIG. 8

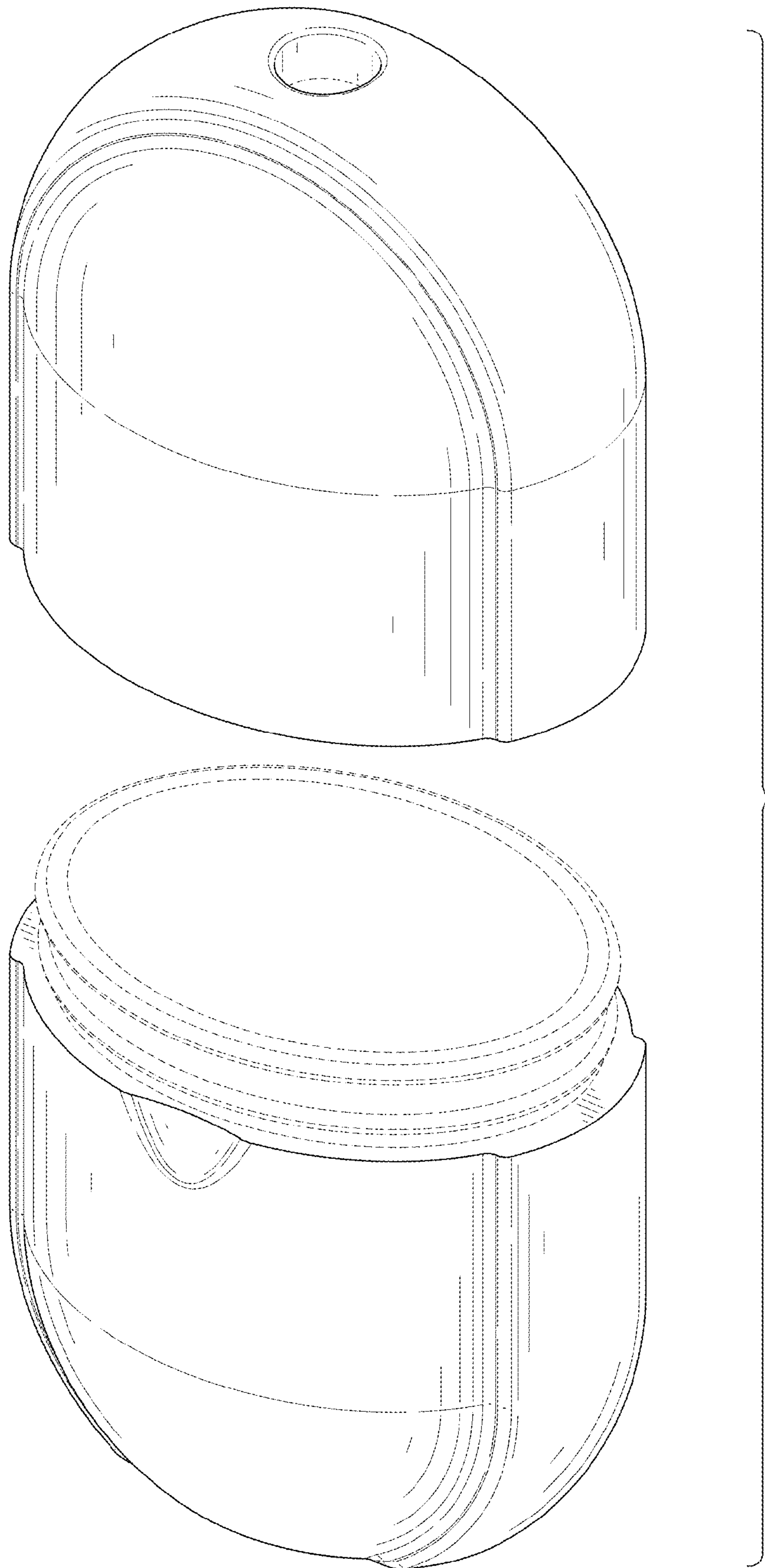


FIG. 9