



US00D964436S

(12) **United States Design Patent** (10) **Patent No.:** **US D964,436 S**
Yang et al. (45) **Date of Patent:** **** Sep. 20, 2022**

(54) **CAR REFRIGERATOR**

(71) Applicant: **GUANGDONG ICECO ENTERPRISE CO., LTD**, Guangdong (CN)

(72) Inventors: **Haibo Yang**, Guangdong (CN); **Yu Xie**, Guangdong (CN); **Wenye Yang**, Guangdong (CN)

(73) Assignee: **GUANGDONG ICECO ENTERPRISE CO., LTD**, Zhongshan (CN)

(**) Term: **15 Years**

(21) Appl. No.: **29/758,014**

(22) Filed: **Nov. 11, 2020**

(51) **LOC (13) Cl.** **15-07**

(52) **U.S. Cl.**
USPC **D15/83**

(58) **Field of Classification Search**
USPC D15/79, 80, 81, 82, 83, 84, 85, 86, 87, D15/88, 89, 90, 91; D7/603, 605, 606, D7/607, 608
See application file for complete search history.

(56) **References Cited**

U.S. PATENT DOCUMENTS

D354,292	S *	1/1995	Monti	D15/83
D429,966	S *	8/2000	Israel	D7/605
D527,225	S *	8/2006	Krieger	D7/605
D558,239	S *	12/2007	Takemoto	D15/79
D750,140	S *	2/2016	Cross	D15/81
D822,721	S *	7/2018	Tschopp	D15/79
D823,064	S *	7/2018	Eichinger	D7/605
D836,993	S *	1/2019	Meda	D7/605
D851,138	S *	6/2019	Murobayashi	D15/81
D907,074	S *	1/2021	Yang	D15/83
D917,977	S *	5/2021	Brunner	D7/605

D944,299	S *	2/2022	Astle	D15/79
D946,635	S *	3/2022	Deng	D15/79
11,340,005	B2 *	5/2022	Nilsen	F25D 16/00
2005/0081558	A1 *	4/2005	Yoshida	F25D 11/003
					62/6

(Continued)

OTHER PUBLICATIONS

“ICECO JP42 Pro, 3 in 1 Refrigerator, 12 Volt Portable Fridge Freezer Cooler, Powered by Secop, Rotomolded Construction, 0° F.~50°F., DC 12/24V, AC 110/240V (Blue)” [online], ICECO. [Product first available on Jul. 29, 2020]. Retrieved from the Internet: <<https://www.amazon.com/dp/B08DTZM2JG>>.*

(Continued)

Primary Examiner — Mojtaba Tehrani

(74) *Attorney, Agent, or Firm* — Wayne IP LLC

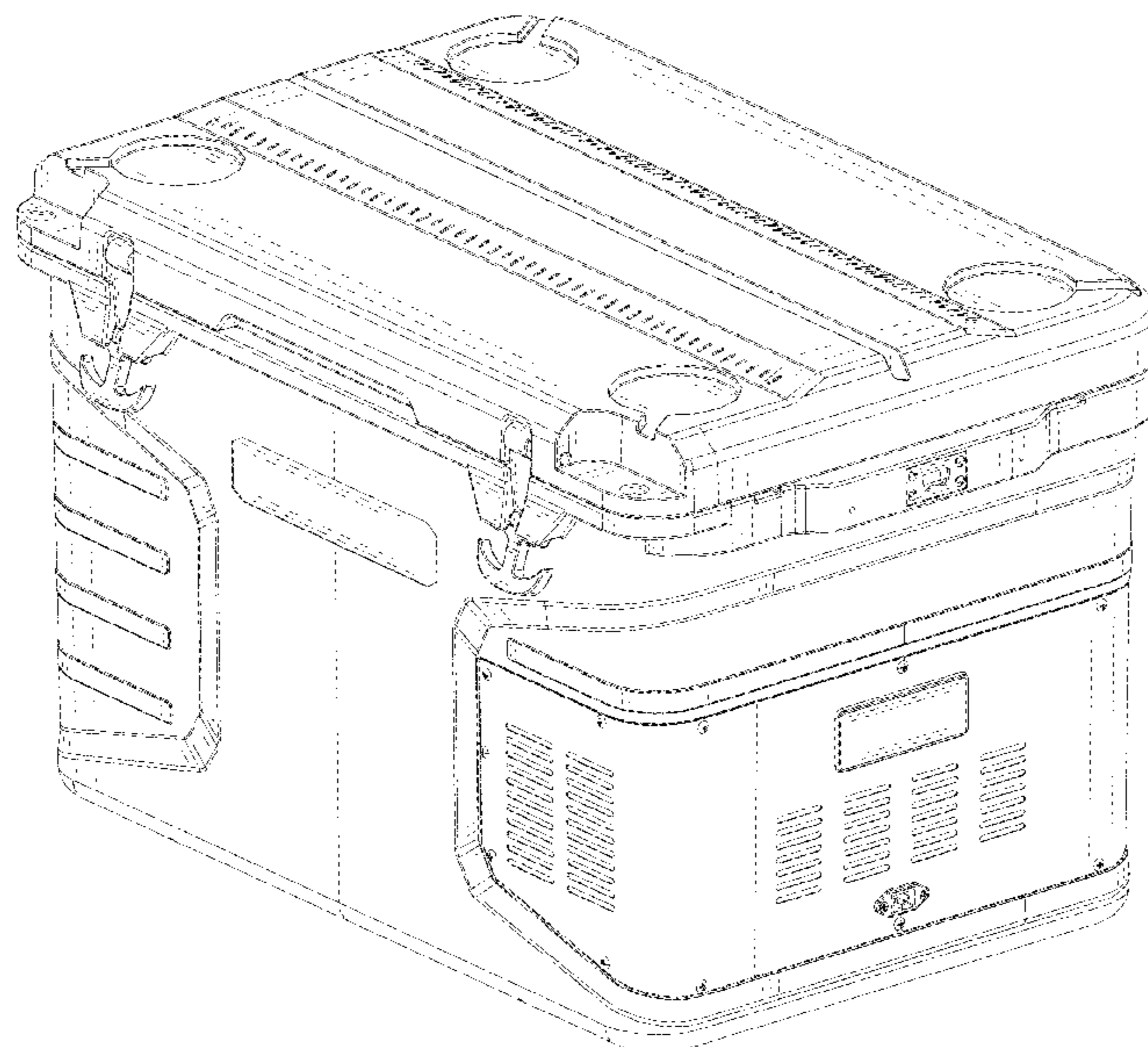
(57) **CLAIM**

The ornamental design for a car refrigerator, as shown and described.

DESCRIPTION

FIG. 1 is a perspective view of a car refrigerator showing our new design;
FIG. 2 is a front view thereof;
FIG. 3 is a back view thereof;
FIG. 4 is an enlarged left view thereof;
FIG. 5 is an enlarged right view thereof;
FIG. 6 is a top view thereof;
FIG. 7 is a bottom view thereof;
FIG. 8 is a partially enlarged view of FIG. 6;
FIG. 9 is a partially enlarged view of FIG. 7; and,
FIG. 10 is another partially enlarged view of FIG. 7.
The broken lines in the drawings disclose unclaimed portions of the car refrigerator and boundaries of isolated views only and form no part of the claimed design.

1 Claim, 10 Drawing Sheets



(56)

References Cited

U.S. PATENT DOCUMENTS

2015/0267956 A1* 9/2015 Miller F25D 27/00
62/457.7
2017/0043906 A1* 2/2017 Ravenscraft, Jr. B62B 1/10
2018/0141718 A1* 5/2018 Ahlström F25D 25/022
2019/0331391 A1* 10/2019 Campbell F25D 3/08
2020/0397138 A1* 12/2020 Lubben A47C 11/00
2021/0364222 A1* 11/2021 Bischof F25D 23/028

OTHER PUBLICATIONS

“AAOBOSI 12 Volt Car Refrigerator 53 Quart (50L) RV Portable Refrigerator Freezer APP Control Car Fridge Cooler -4° F.-68° F. Electric Compressor Cooler 12/24V DC & 100-240V AC Travel Refrigerator for Car, Camping, Truck, RV and Home Use” [online]. AAOBOSI. [Product first available on Oct. 7, 2021] Retrieved from the Internet: <<https://www.amazon.com/dp/B09HTTGB43>>.*

* cited by examiner

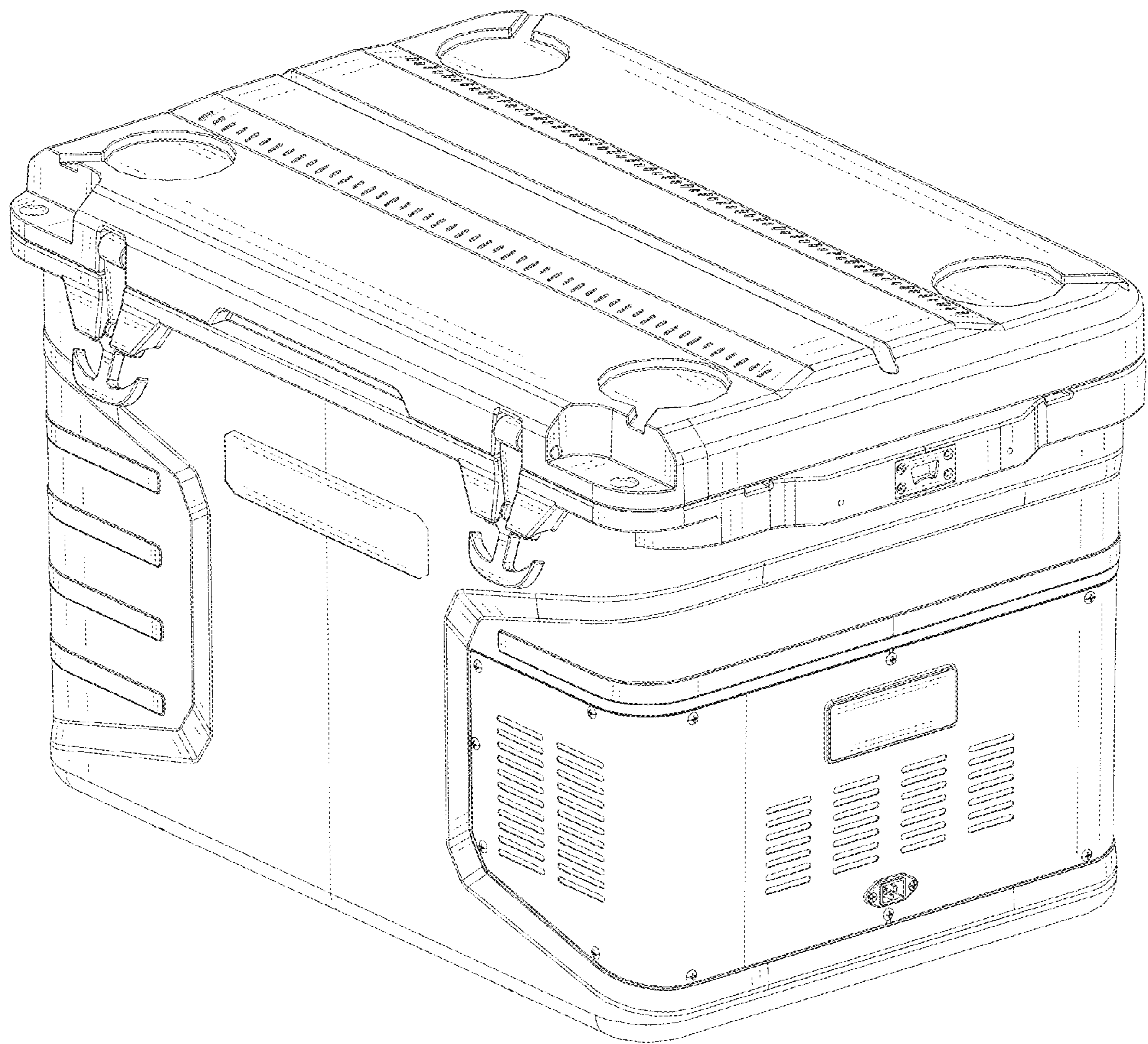


FIG. 1

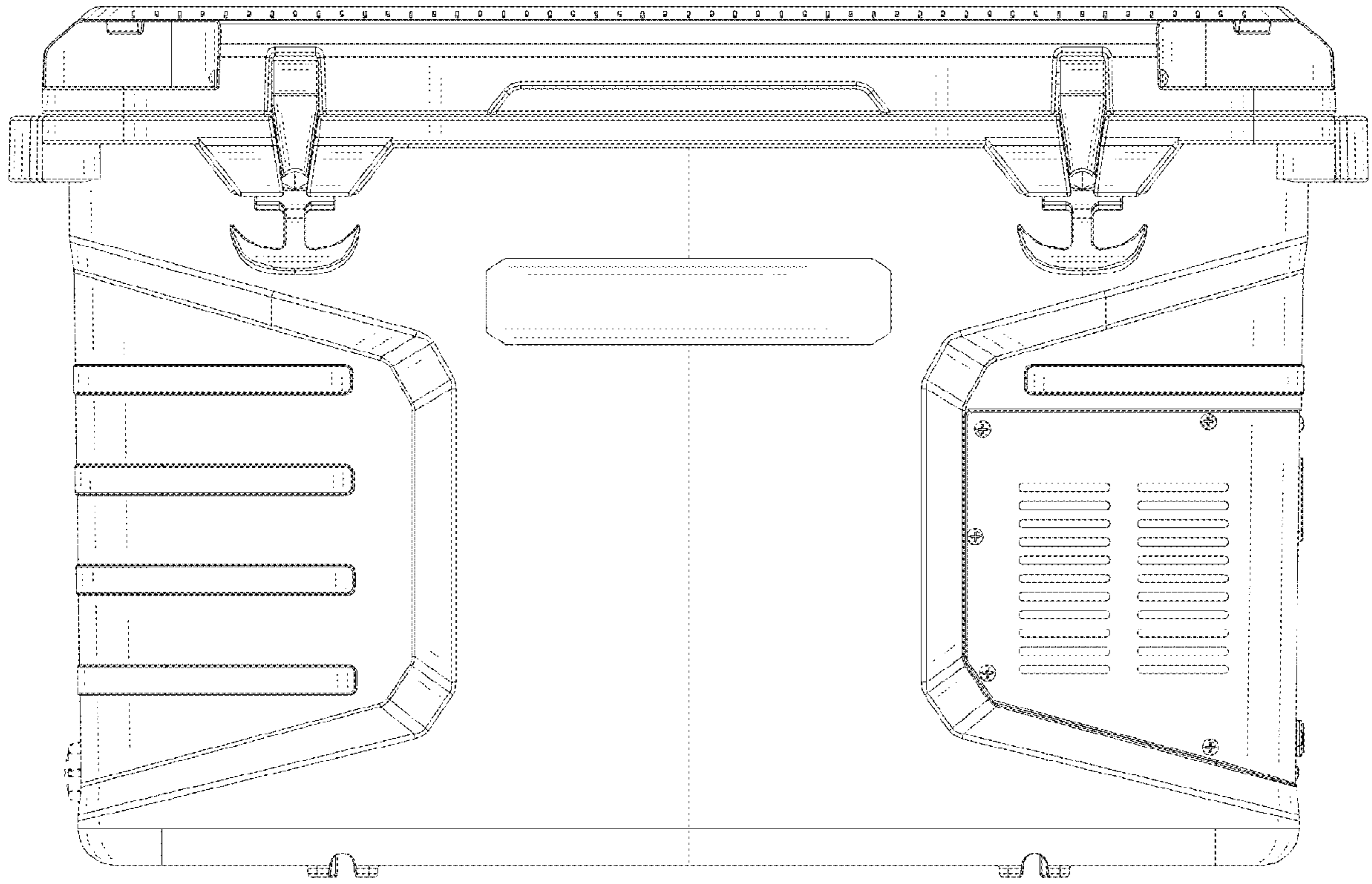


FIG. 2

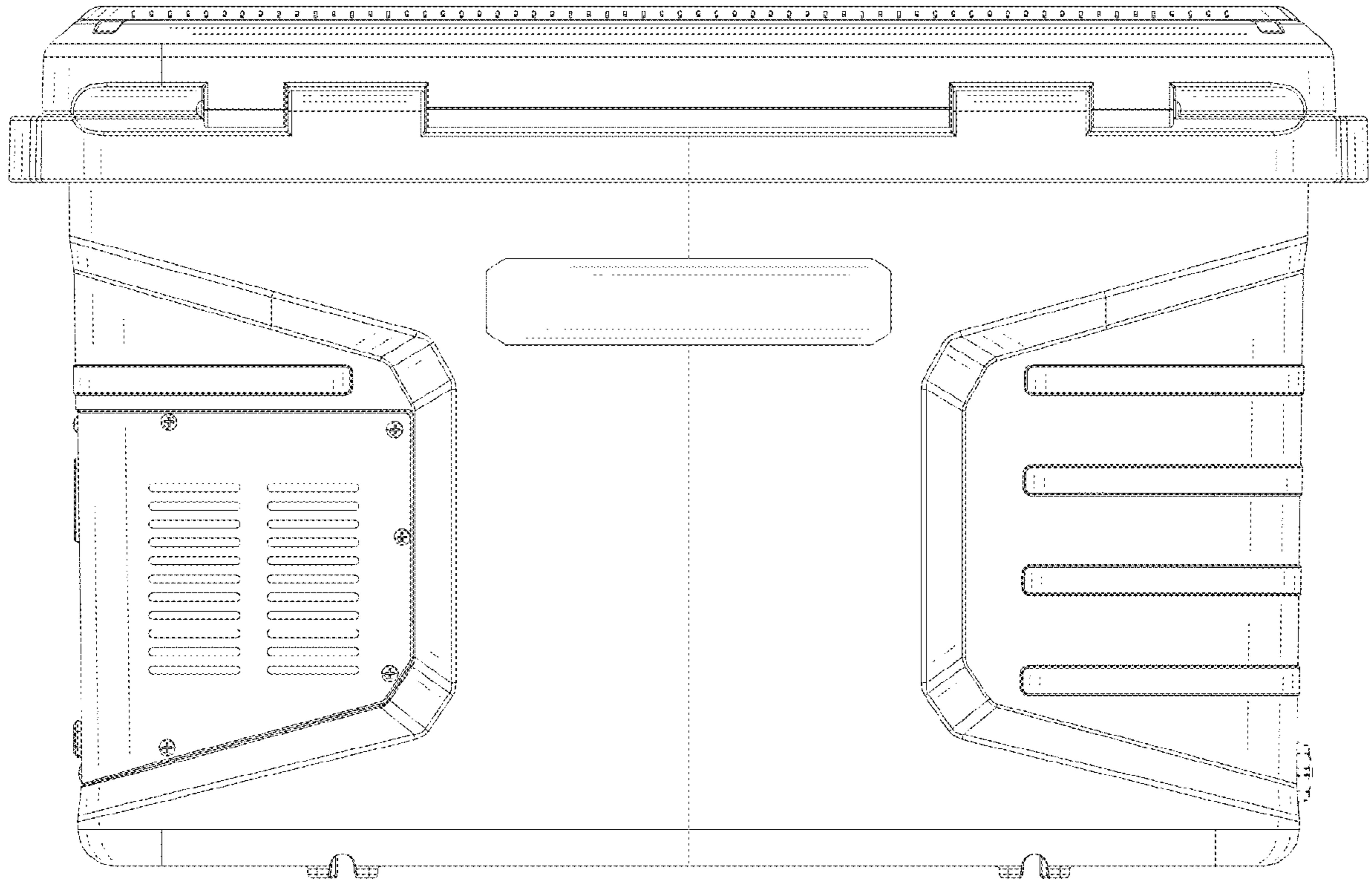


FIG. 3

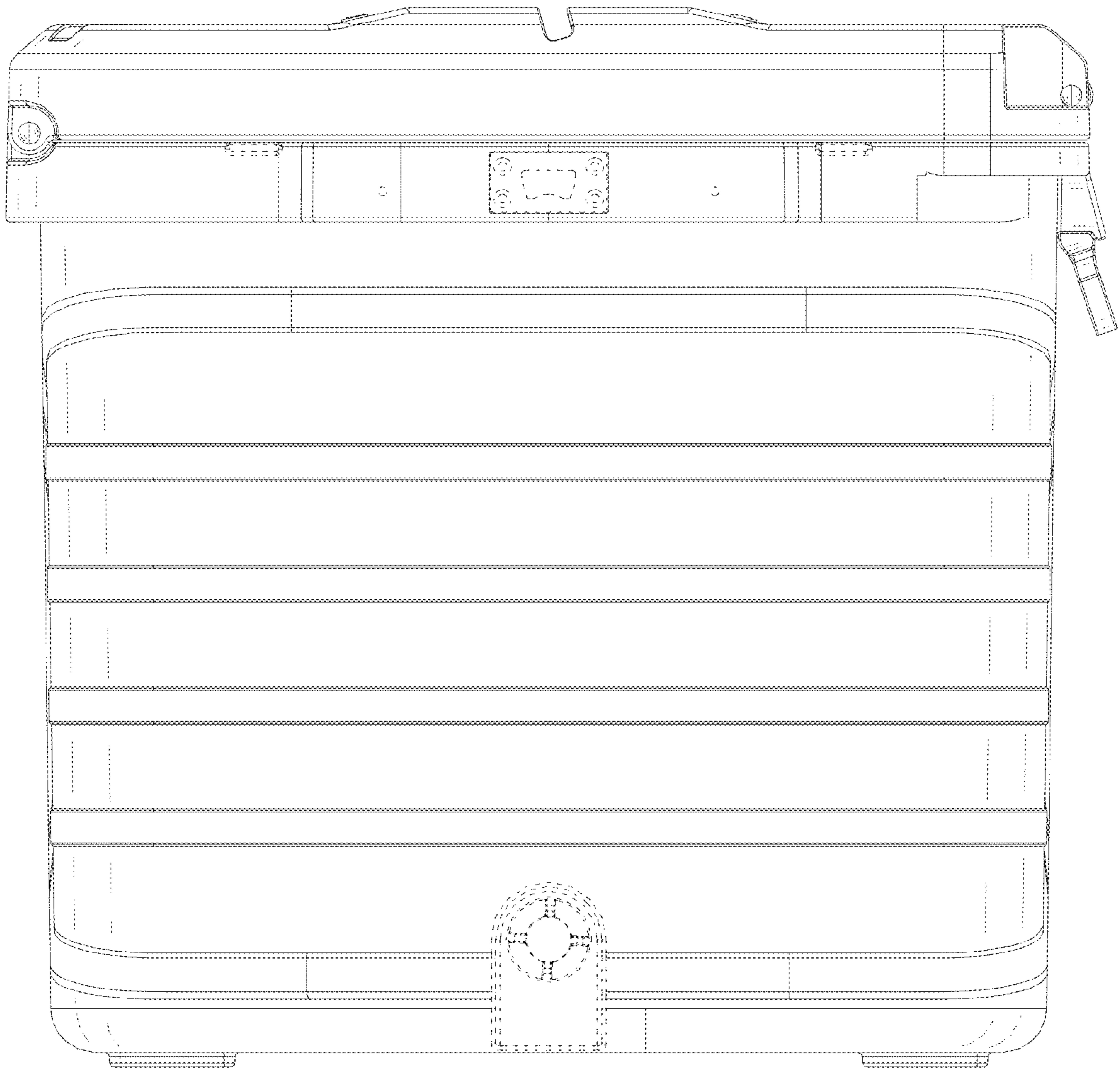


FIG. 4

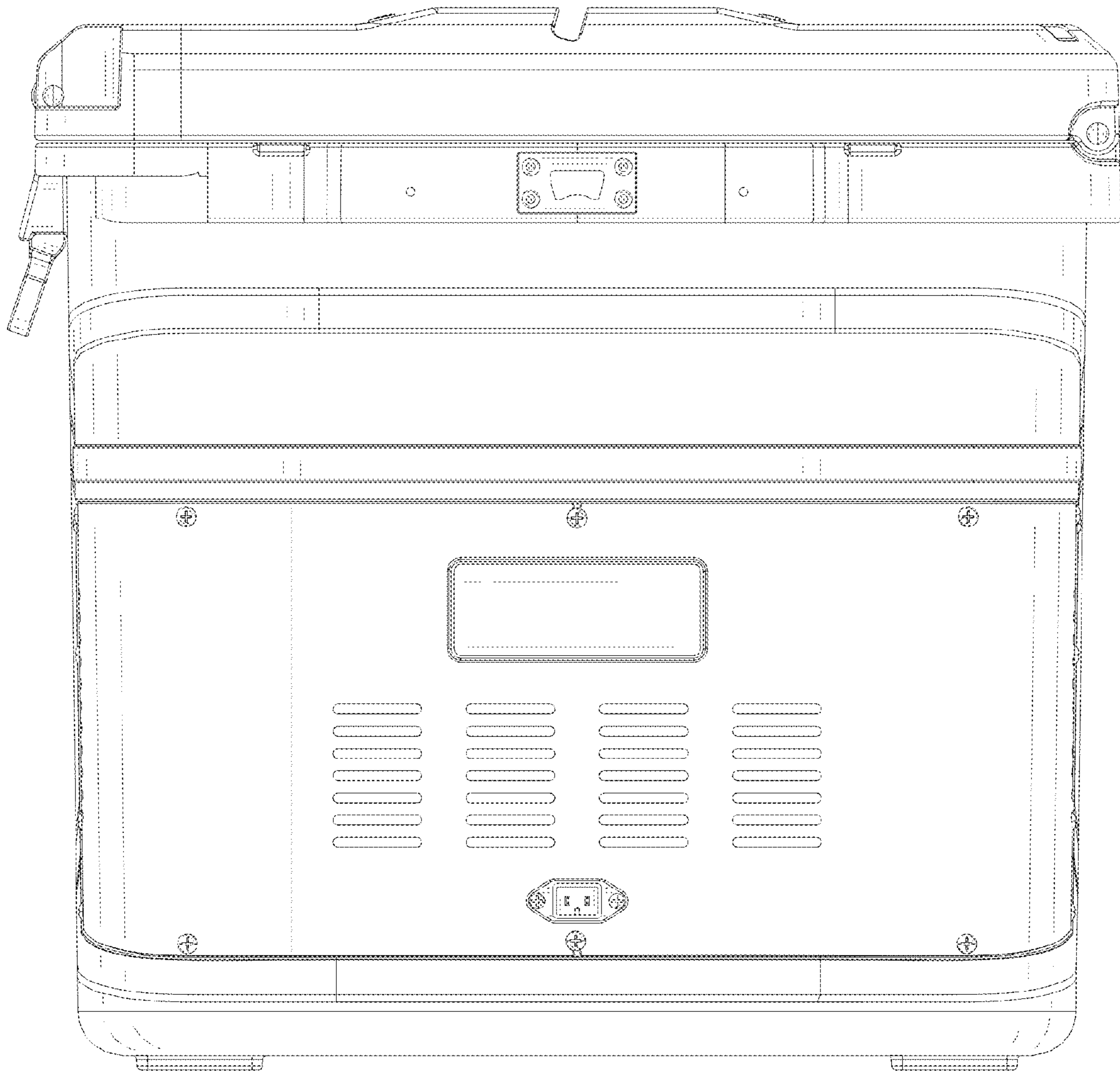


FIG. 5

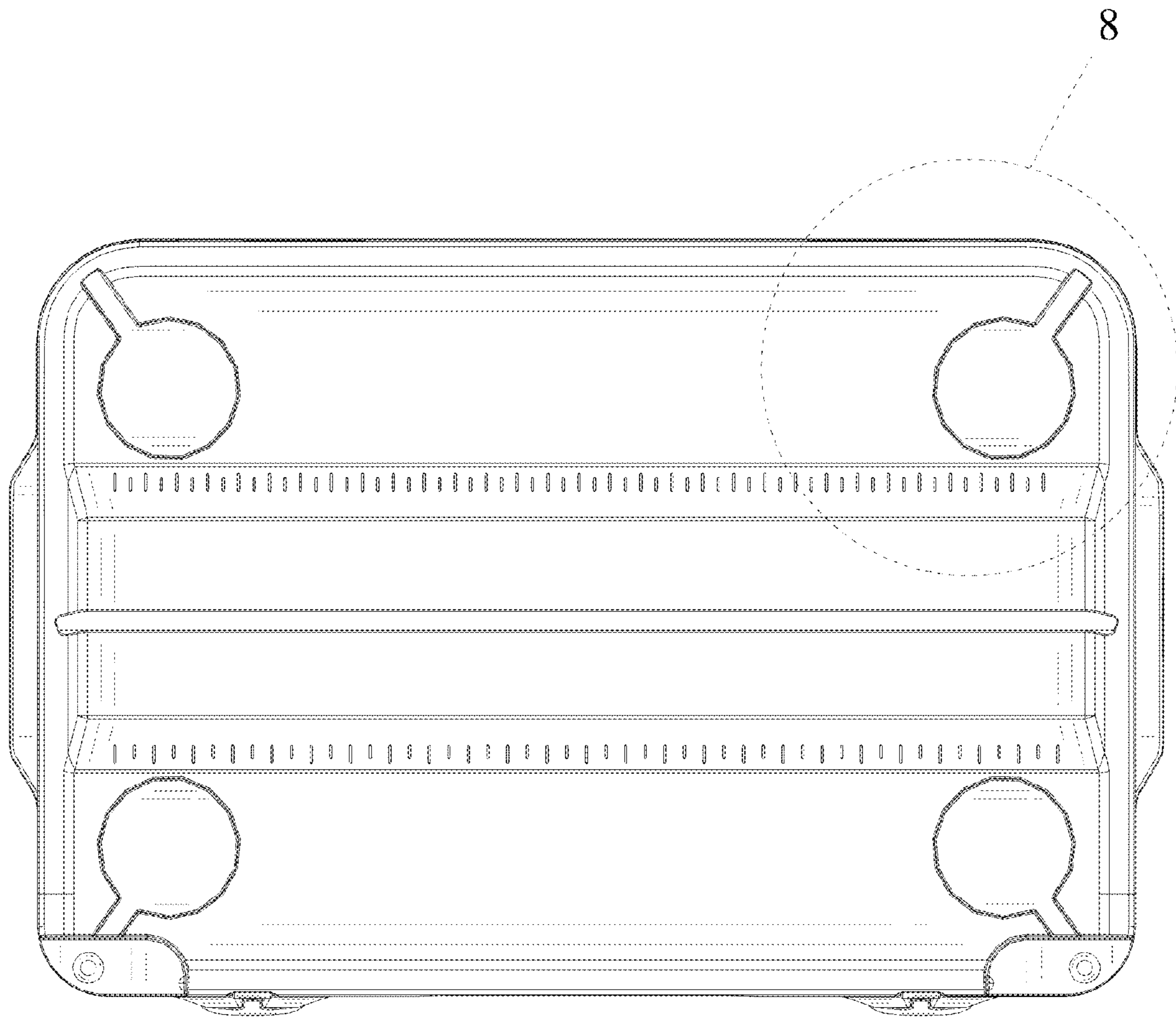


FIG. 6

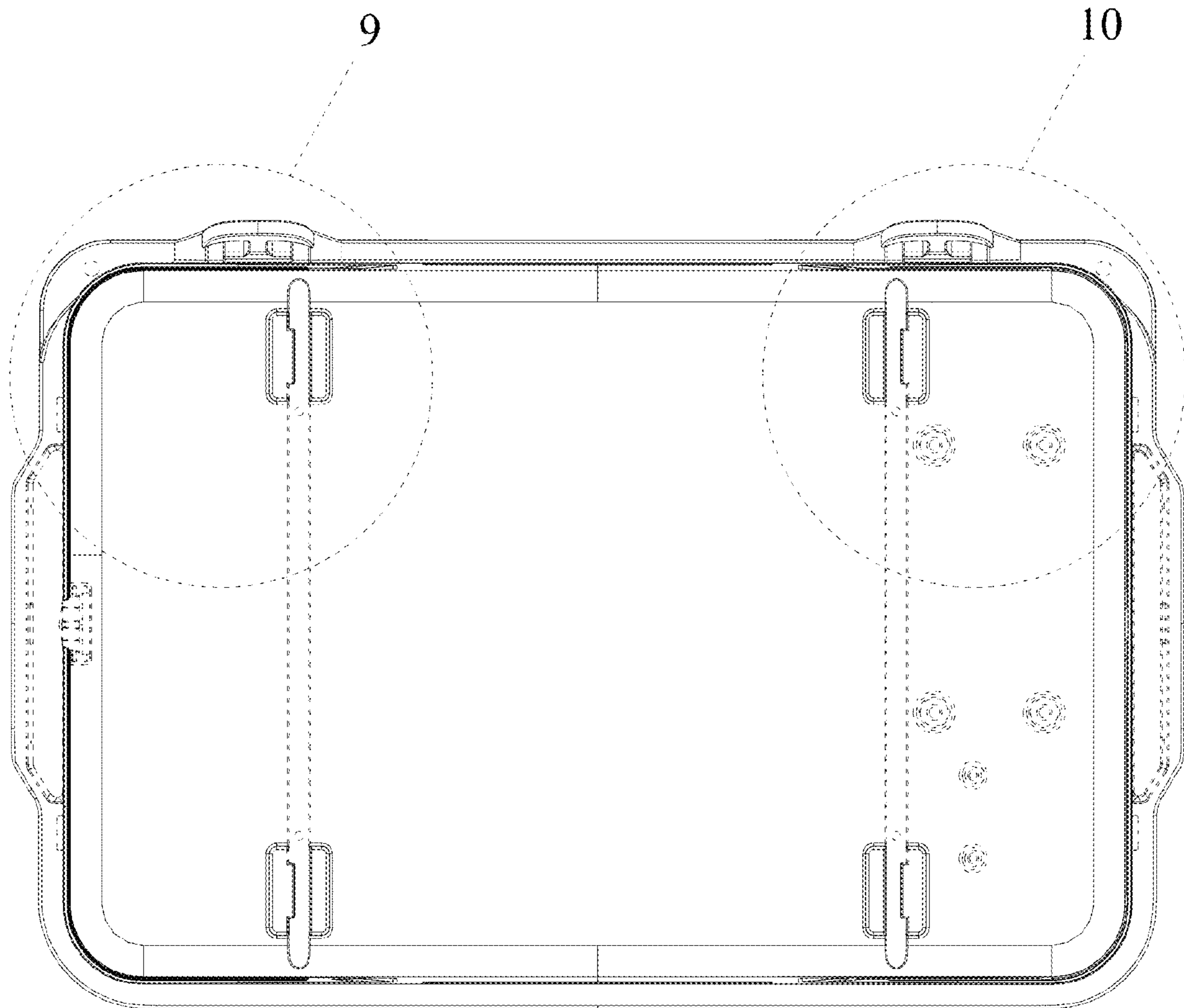


FIG. 7

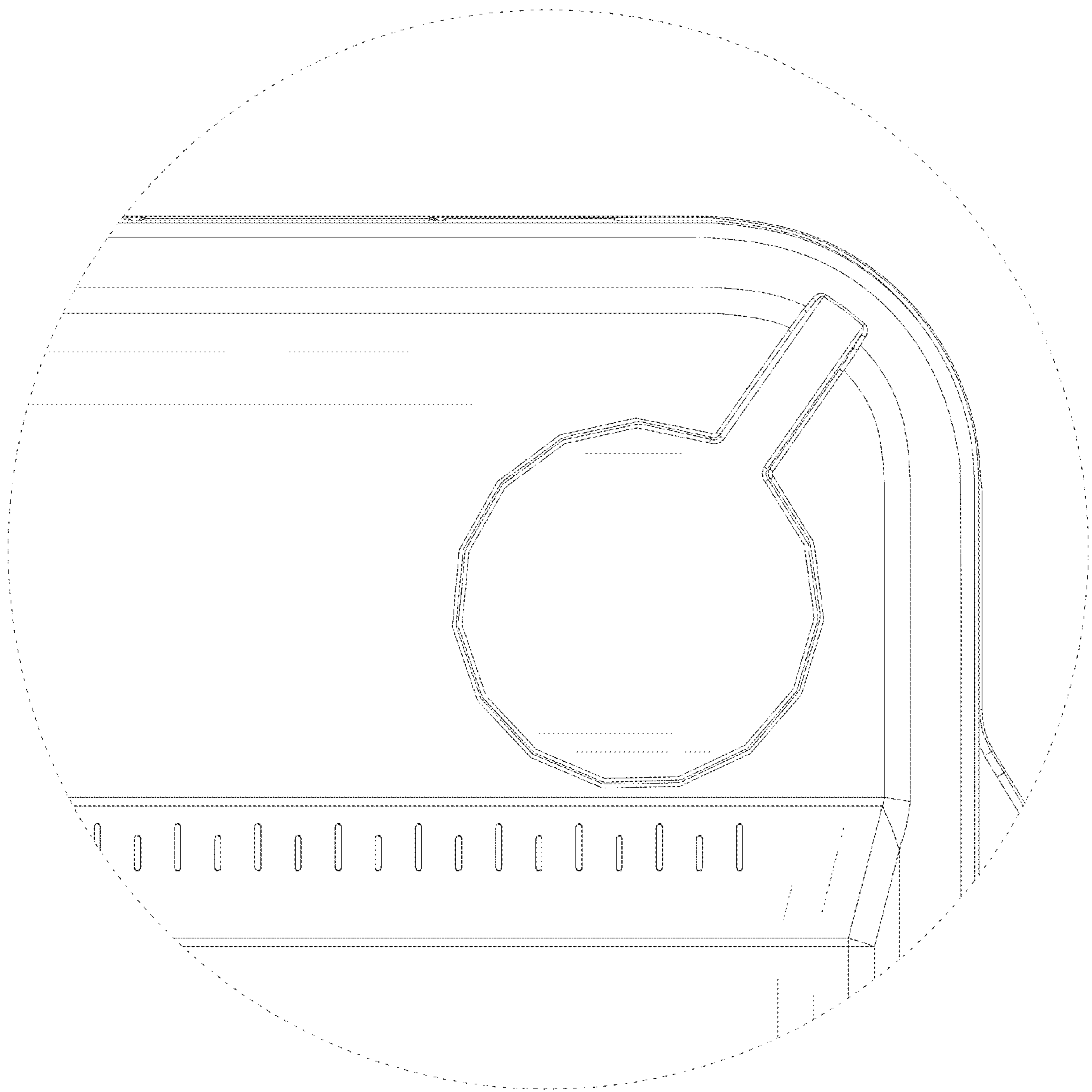


FIG. 8

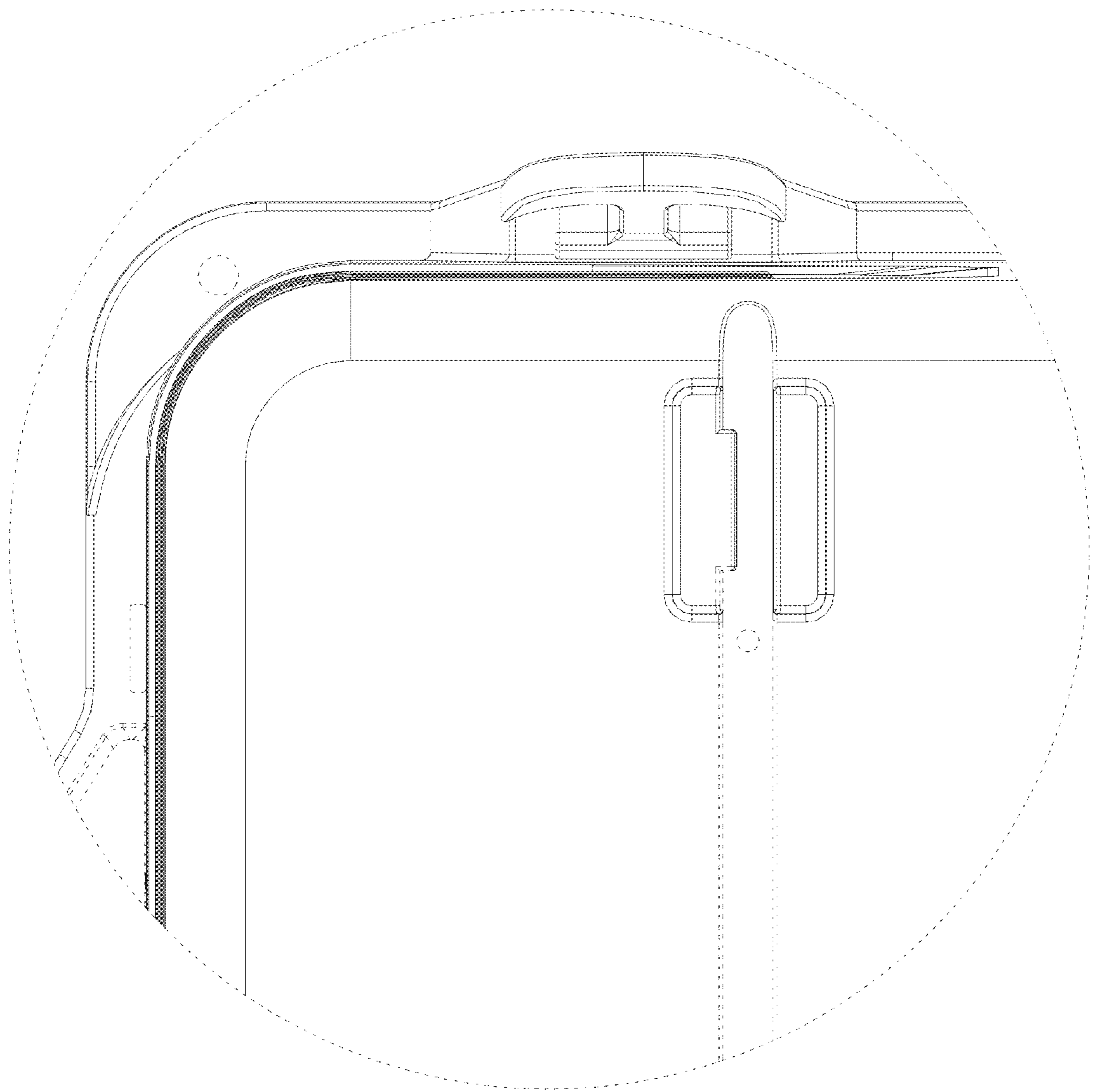


FIG. 9

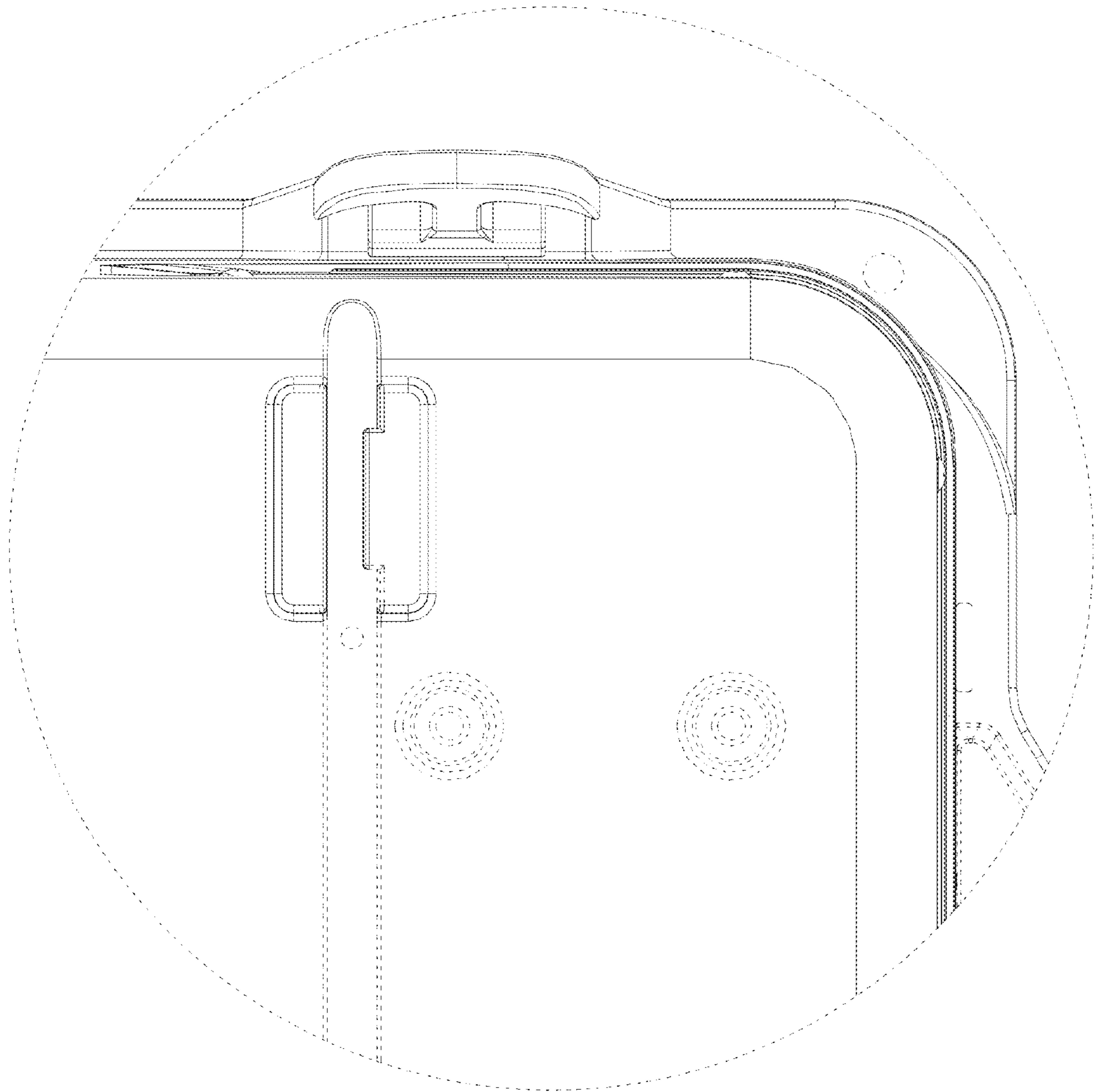


FIG. 10