



US00D964435S

(12) **United States Design Patent** (10) **Patent No.:** **US D964,435 S**
Rizzi (45) **Date of Patent:** **** Sep. 20, 2022**

(54) **PORTABLE REFRIGERATOR**

FOREIGN PATENT DOCUMENTS

(71) Applicant: **Electrolux Home Products, Inc.**,
Charlotte, NC (US)

CA 55248 S 11/1985
CA 55269 11/1985

(Continued)

(72) Inventor: **Saba Rizzi**, Charlotte, NC (US)

OTHER PUBLICATIONS

(73) Assignee: **Electrolux Home Products, Inc.**,
Charlotte, NC (US)

“Iceless 36 Quart (34 L) 12v Thermoelectric Travel Cooler or Warmer”; Koolatron; retrieved Oct. 22, 2020; published date unknown, prior to Oct. 22, 2020; URL: <<https://www.koolatron.com/US/en/koolatron-p75-kool-kaddy>>.

(**) Term: **15 Years**

(Continued)

(21) Appl. No.: **29/756,769**

(22) Filed: **Oct. 30, 2020**

Primary Examiner — Mojtaba Tehrani

(51) **LOC (13) Cl.** **15-07**

(74) *Attorney, Agent, or Firm* — Banner & Witcoff, Ltd.

(52) **U.S. Cl.**

USPC **D15/83**

(58) **Field of Classification Search**

(57) **CLAIM**

USPC D15/79, 80, 81, 82, 83, 84, 85, 86, 87,
D15/88, 89, 90, 91; D7/603, 605, 606,
D7/607, 608

The ornamental design for a portable refrigerator, as shown and described.

See application file for complete search history.

(56) **References Cited**

DESCRIPTION

U.S. PATENT DOCUMENTS

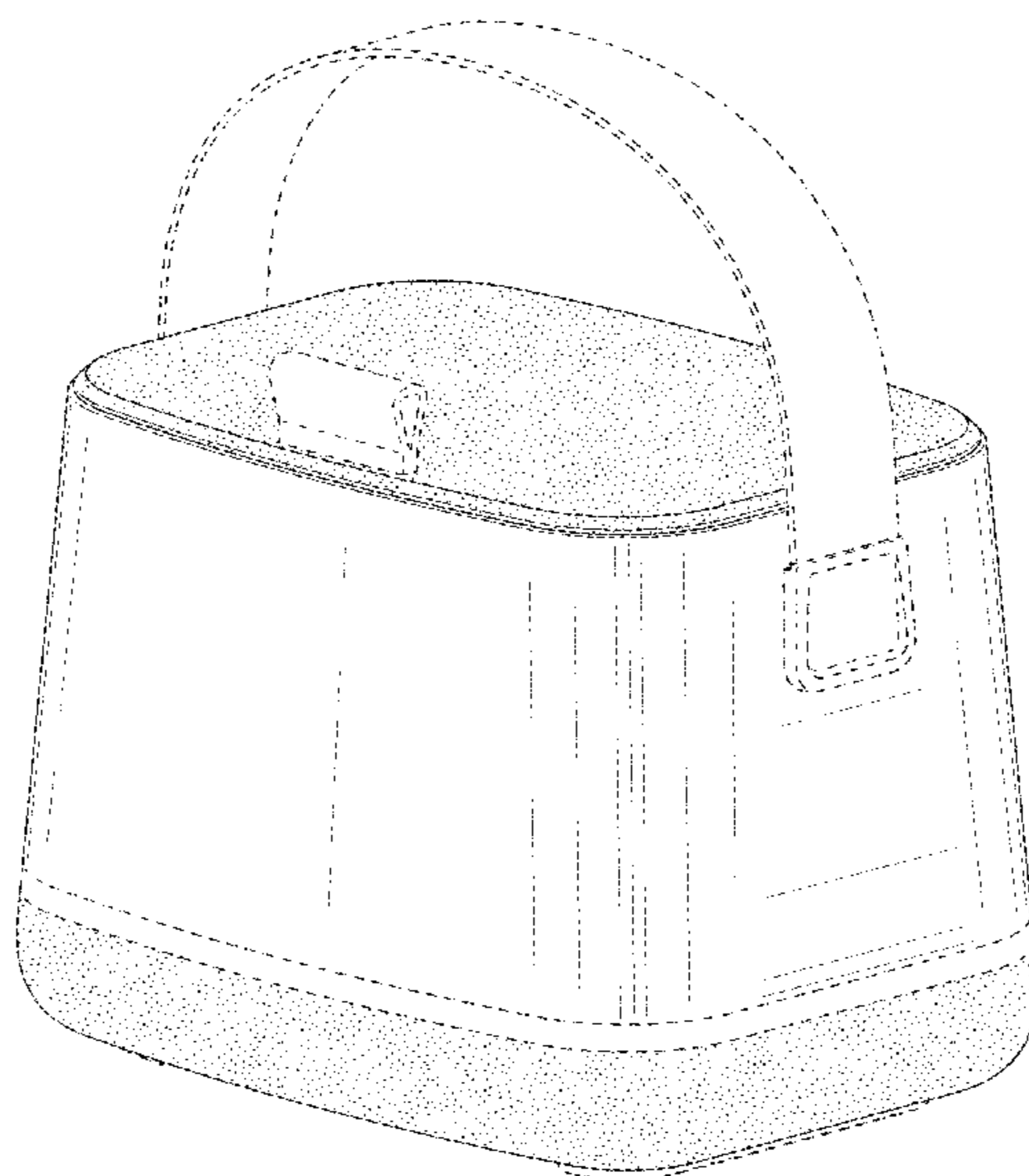
- D246,686 S * 12/1977 Boldt D7/354
- D261,088 S * 10/1981 Akimov D9/532
- D266,822 S 11/1982 Seager
- D267,444 S 1/1983 Ruxton
- D270,604 S 9/1983 Zauft
- D272,705 S 2/1984 Gottsegen et al.
- D281,694 S 12/1985 Ryan, Jr.
- D281,695 S 12/1985 Ryan, Jr.
- D289,597 S 5/1987 Averitt
- D291,858 S 9/1987 Baker et al.
- D292,711 S 11/1987 Shapiro et al.
- D294,445 S * 3/1988 Jorgensen D7/603
- D296,065 S 6/1988 Tarozzi et al.
- D300,796 S 4/1989 Waggerman
- D304,114 S 10/1989 David
- D309,406 S 7/1990 Ridings

(Continued)

FIG. 1 is a front perspective view of a portable refrigerator showing my/our new design;
FIG. 2 is a front view thereof;
FIG. 3 is a rear view thereof;
FIG. 4 is a right side view thereof;
FIG. 5 is a left side view thereof;
FIG. 6 is a top view thereof; and,
FIG. 7 is a bottom view thereof.

The contrast in shading between the top and bottom portions relative to the central portion represents a contrast in appearance only and does not represent any particular color, material, texture, or finish. The broken lines depicting the remainder of portable refrigerator form no part of the claimed design.

1 Claim, 7 Drawing Sheets



(56)

References Cited

U.S. PATENT DOCUMENTS

D309,900 S 8/1990 Illsley
 D311,476 S 10/1990 Kumakura
 D326,800 S 6/1992 Flum
 D326,801 S 6/1992 Flum
 D327,203 S 6/1992 Kahl
 D337,232 S * 7/1993 Kahl D7/605
 D340,167 S 10/1993 Kahl
 D345,839 S 4/1994 Senese
 D347,362 S 5/1994 Redmon
 D349,007 S 7/1994 Costello
 D349,629 S 8/1994 Redmon
 D349,630 S 8/1994 Redmon
 D350,459 S 9/1994 Blackwell et al.
 D351,318 S 10/1994 Wedi
 D351,824 S 10/1994 Bednar
 D352,420 S 11/1994 Costello
 D358,966 S * 6/1995 Ochs D7/606
 D369,525 S 5/1996 Winters
 D370,158 S 5/1996 Martin et al.
 D371,942 S 7/1996 Lippincott et al.
 D400,053 S 10/1998 Coffee et al.
 D423,881 S 5/2000 Pratt
 D425,761 S 5/2000 Philipson et al.
 D432,367 S * 10/2000 Segura D7/709
 D442,833 S * 5/2001 Shuman D7/608
 D467,129 S * 12/2002 Martin Perianes D7/605
 D530,141 S * 10/2006 Wilgus D7/313
 D597,381 S 8/2009 Ledoux
 D603,664 S 11/2009 Roefs et al.
 D608,156 S * 1/2010 Bodum D7/603
 D671,372 S * 11/2012 Zou D7/608
 D709,335 S * 7/2014 Stamatopoulos D9/503
 D734,643 S 7/2015 Boroski
 D793,457 S * 8/2017 Kim D15/79
 D807,929 S * 1/2018 Feng D15/81
 D817,722 S * 5/2018 Bradley D7/607
 D821,154 S 6/2018 Lane et al.
 D829,244 S * 9/2018 Sullivan D15/79
 D837,611 S 1/2019 Lane et al.
 D862,528 S * 10/2019 Sullivan D15/79
 D877,210 S * 3/2020 Letcher D15/80

D880,254 S * 4/2020 Jacobsen D7/607
 D901,985 S * 11/2020 Jackson D7/603
 D915,769 S * 4/2021 Wang D3/315
 D919,678 S * 5/2021 Yang D15/81
 D924,945 S * 7/2021 Sullivan D15/79
 D937,909 S * 12/2021 Pan D15/80
 2021/0372639 A1 * 12/2021 Dekeyser F24F 5/0042

FOREIGN PATENT DOCUMENTS

CA	60997 A	6/1988
CA	65990	5/1990
CA	66348	6/1990
CA	71371	8/1992
CA	73627	12/1993
CA	89737 A	6/2000
CN	305126408	4/2019
GB	1041392 A	10/1986
KR	300990252.0000	1/2019
KR	300990253.0000	1/2019
KR	3009902440000	1/2019
RU	00044518	7/1998
RU	00045975	8/1999

OTHER PUBLICATIONS

“12 Can / 2.3 Gallon 12V Cooler/Warmer”; Black+Decker; retrieved Oct. 22, 2020; published date unknown, prior to Oct. 22, 2020; URL: <<https://www.blackanddecker12volt.com/tc212b>>.
 “24 Liter Personal Fridge/Warmer”; Wagan; retrieved Oct. 22, 2020; published date unknown, prior to Oct. 22, 2020; URL: <<https://wagan.com/products/24-liter-personal-fridge-warmer>>.
 “Lifestyle by Focus Electric Travel Cooler and Warmer”; Amazon; retrieved Oct. 22, 2020; published date unknown, prior to Oct. 22, 2020; URL: <<https://www.amazon.com/Lifestyle-Focus-Electric-Travel-Cooler/dp/B08DPWTC1M>>.
 “Igloo Portable 28 Quart Thermoelectric Iceless Cooler”; Amazon; retrieved Oct. 22, 2020; published date unknown, prior to Oct. 22, 2020; URL: <<https://www.amazon.com/Igloo-Portable-Thermoelectric-Iceless-Cooler/dp/B00BTS648O>>.

* cited by examiner

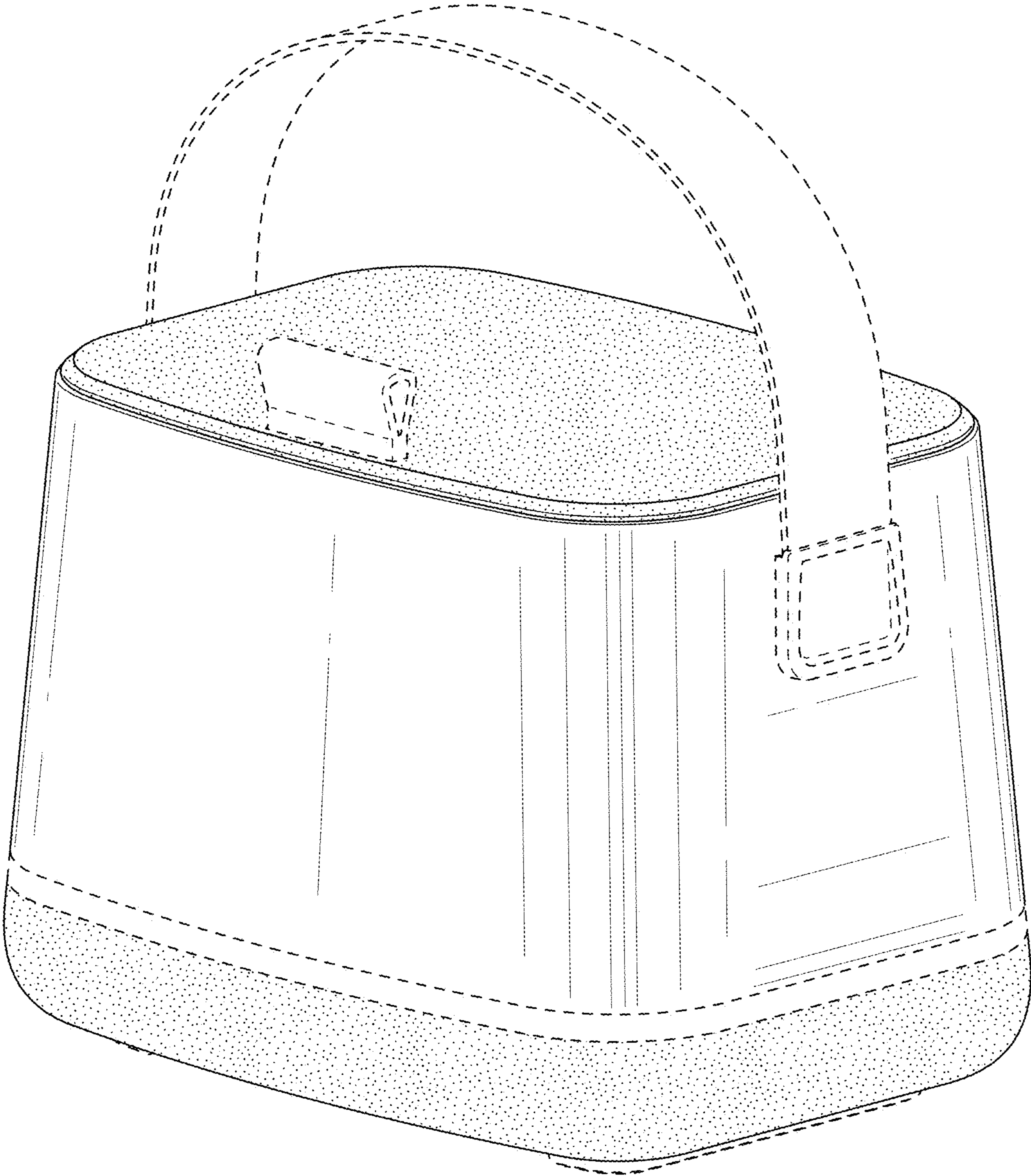


FIG. 1

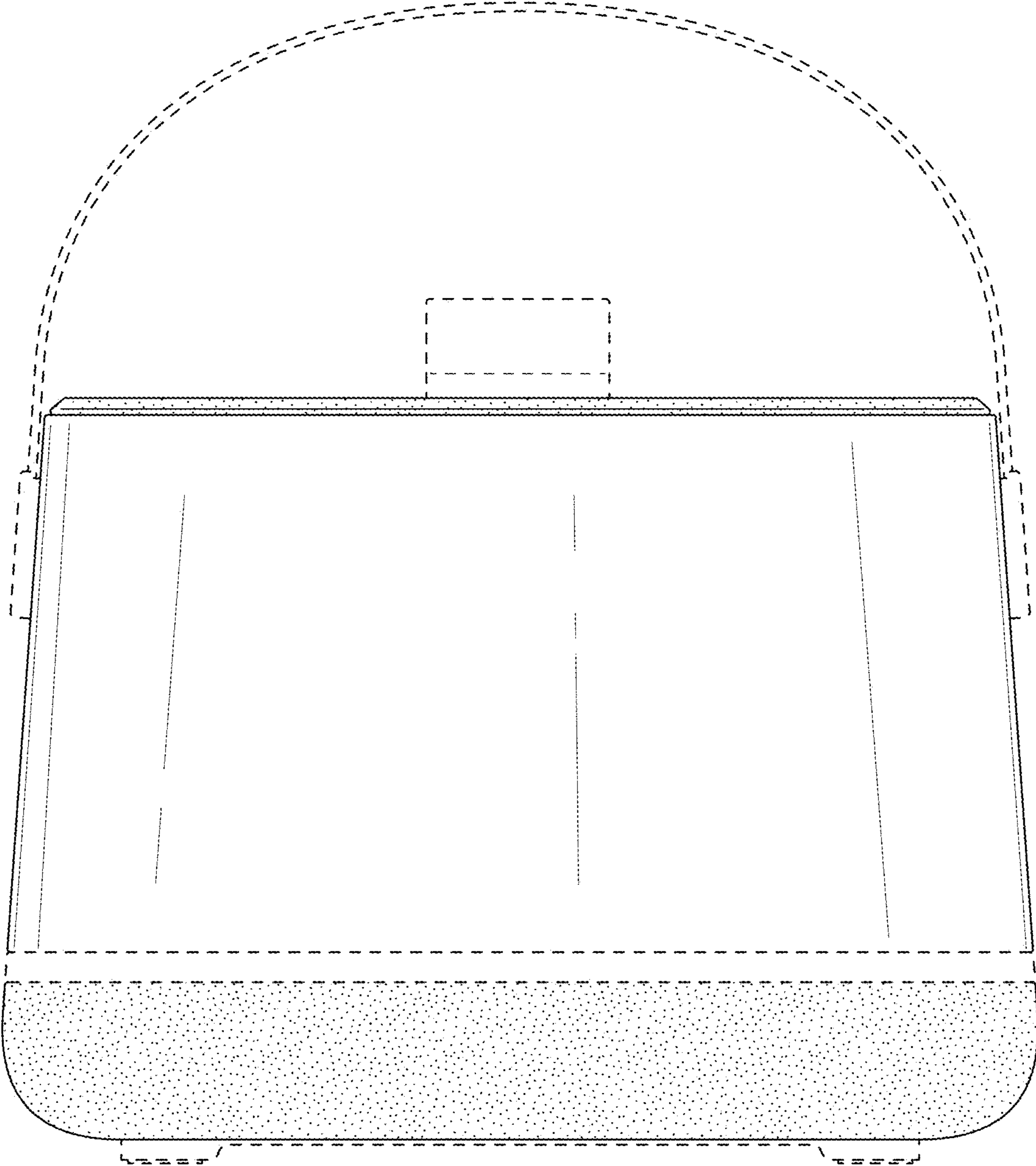


FIG. 2

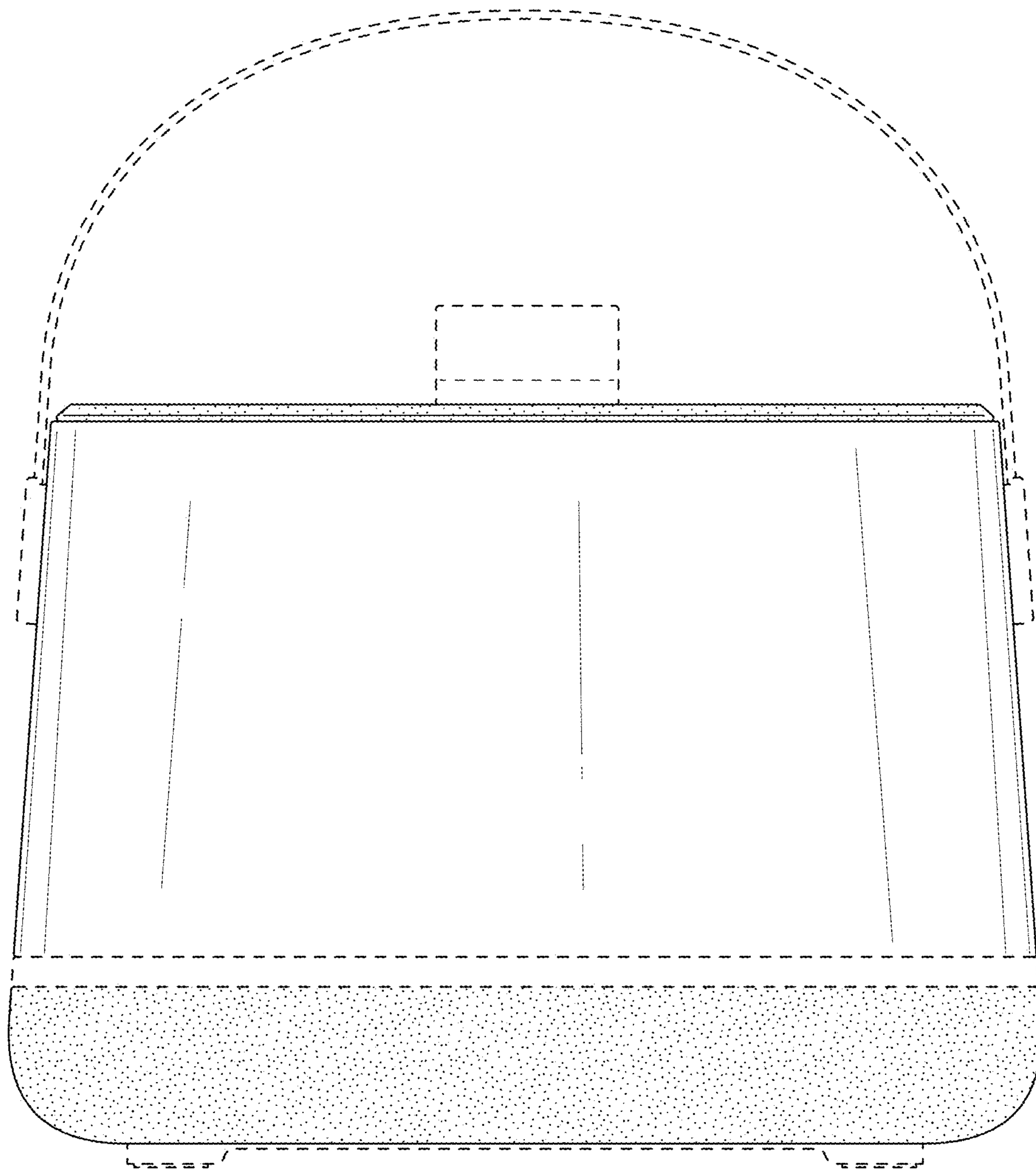


FIG. 3

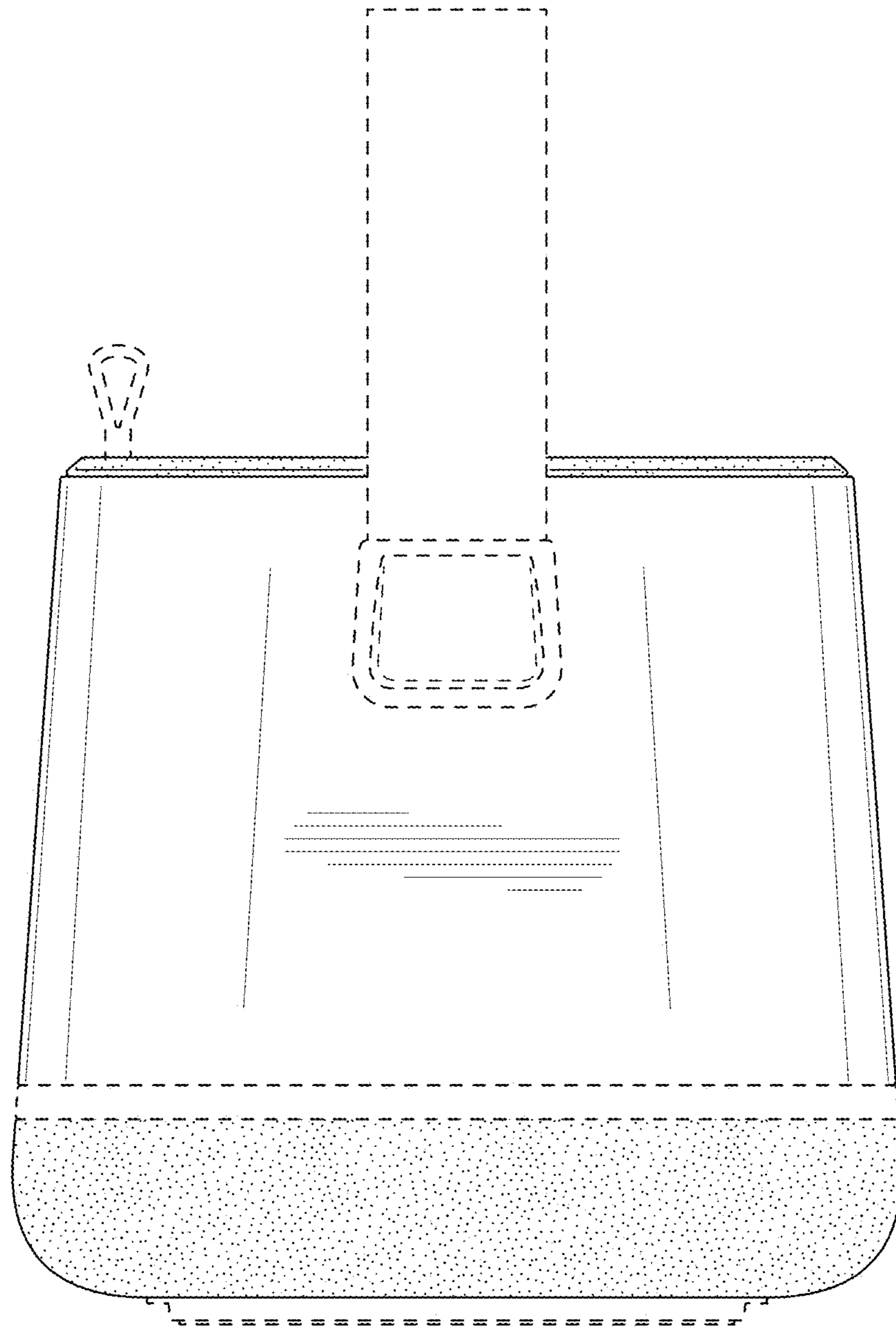


FIG. 4

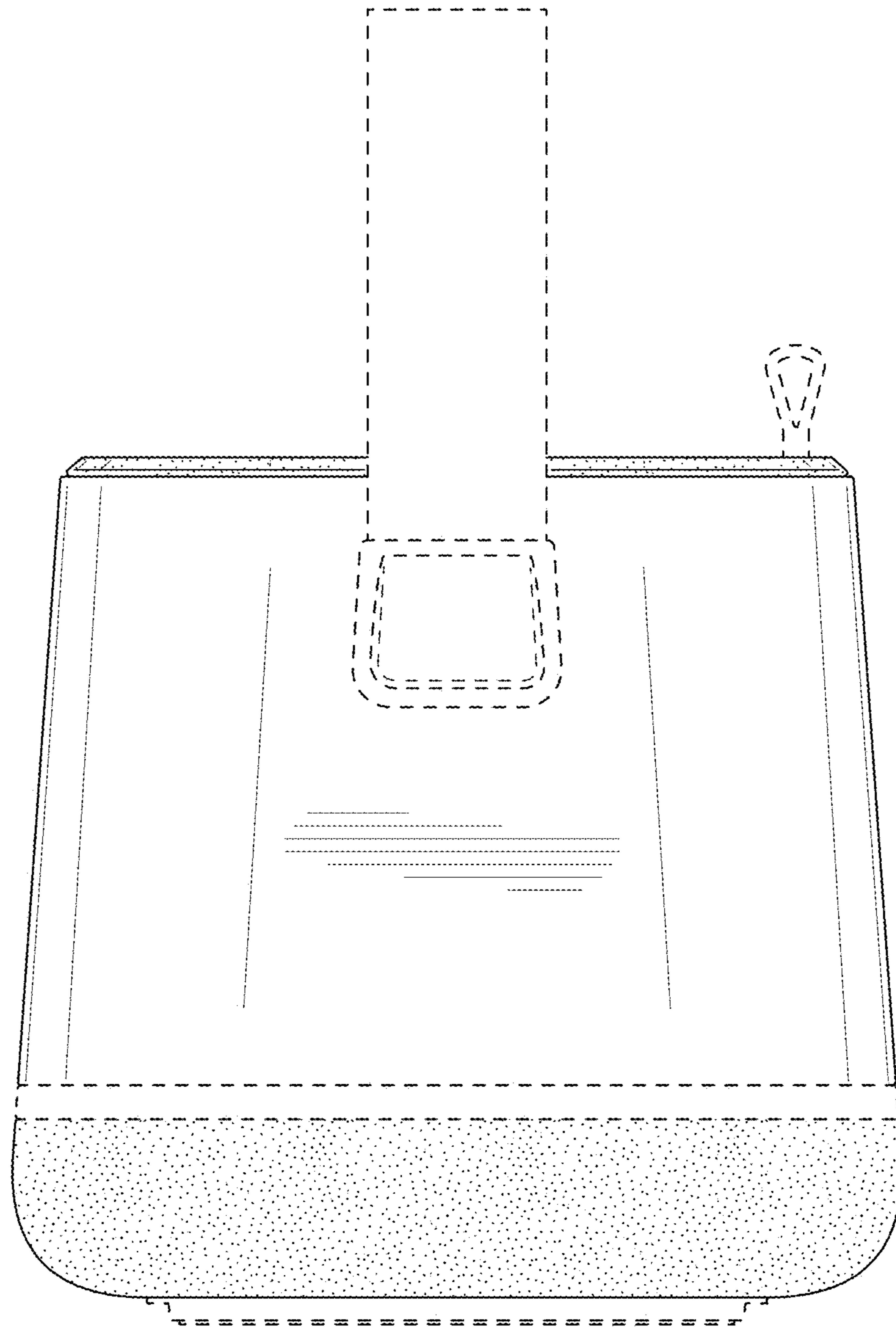


FIG. 5

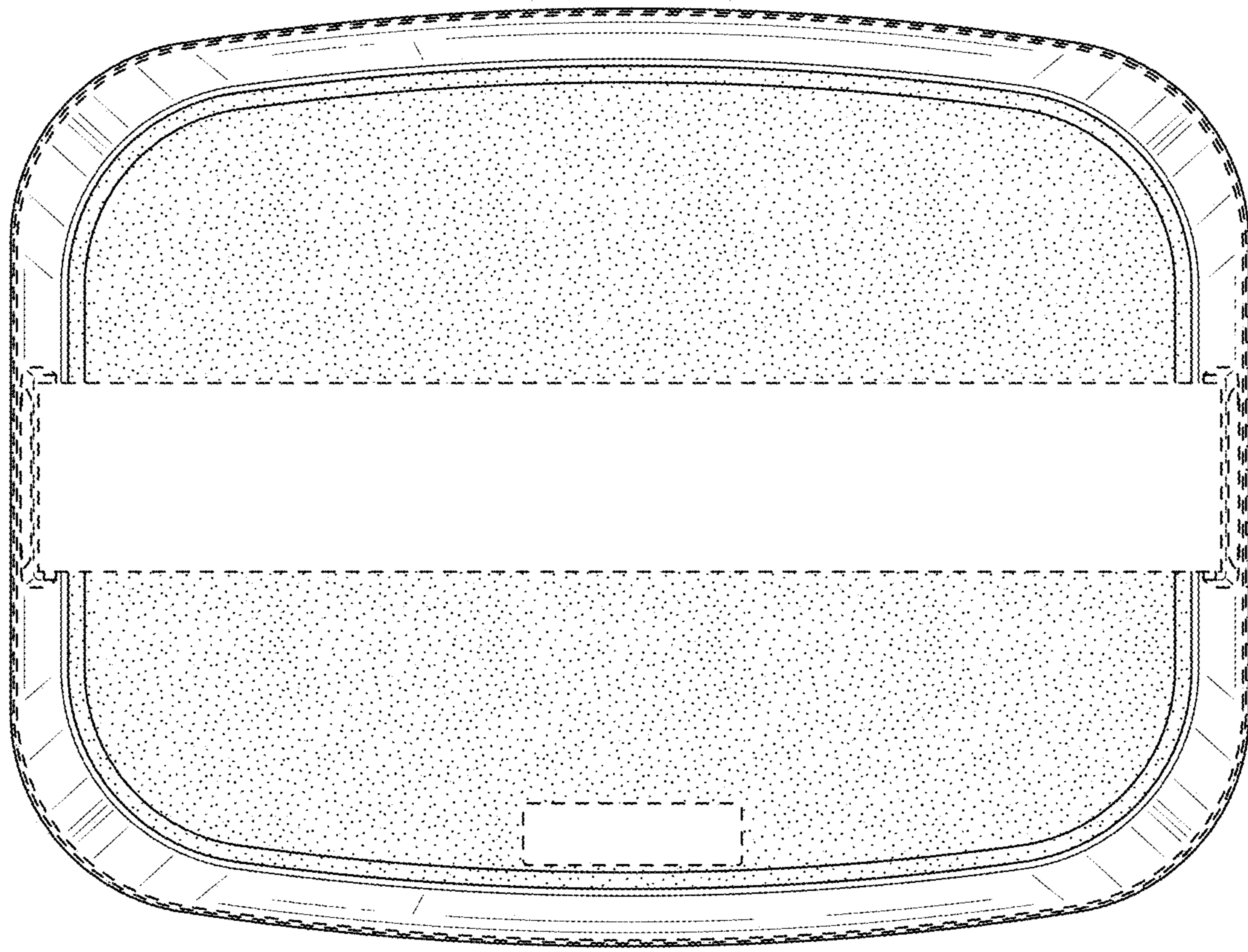


FIG. 6

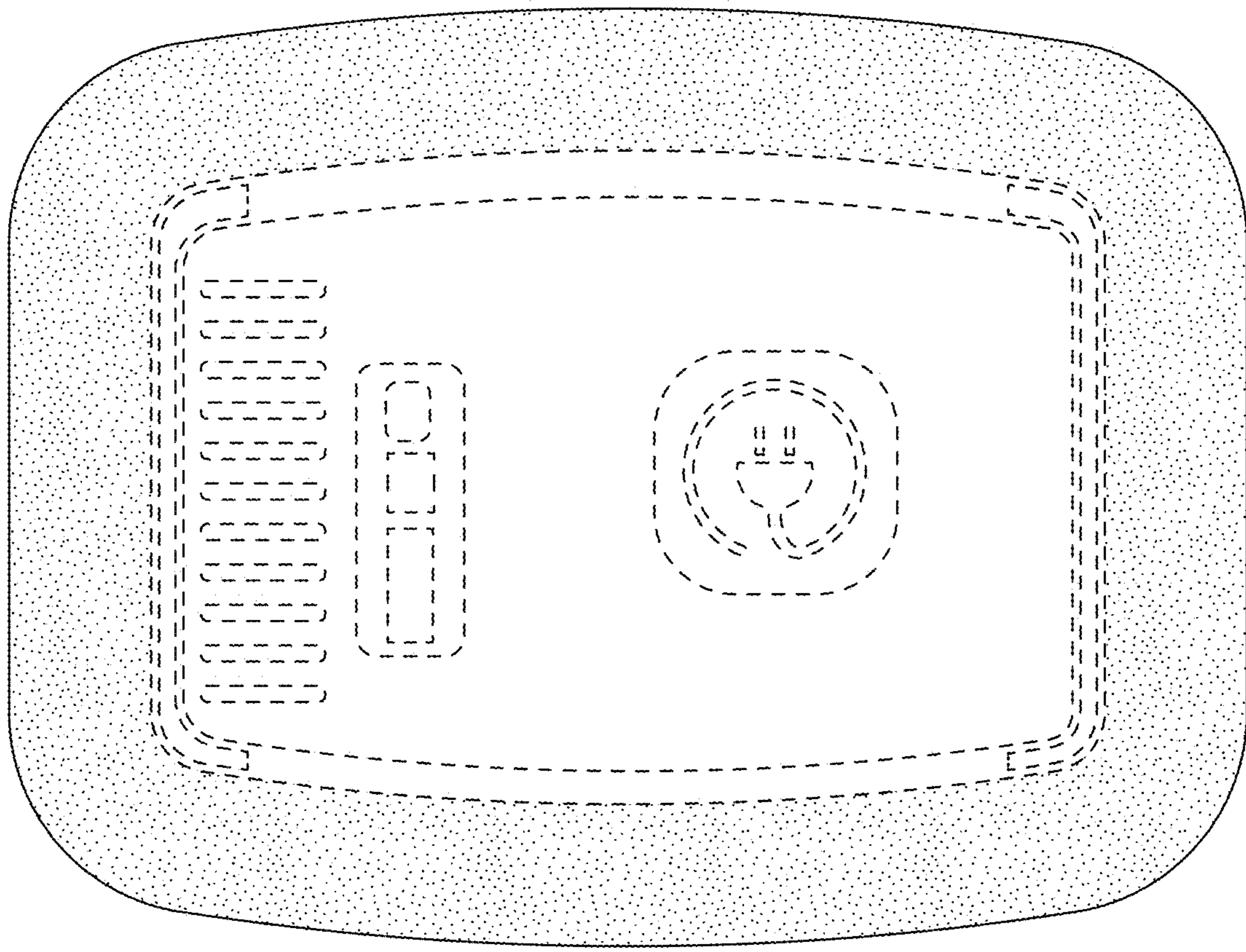


FIG. 7